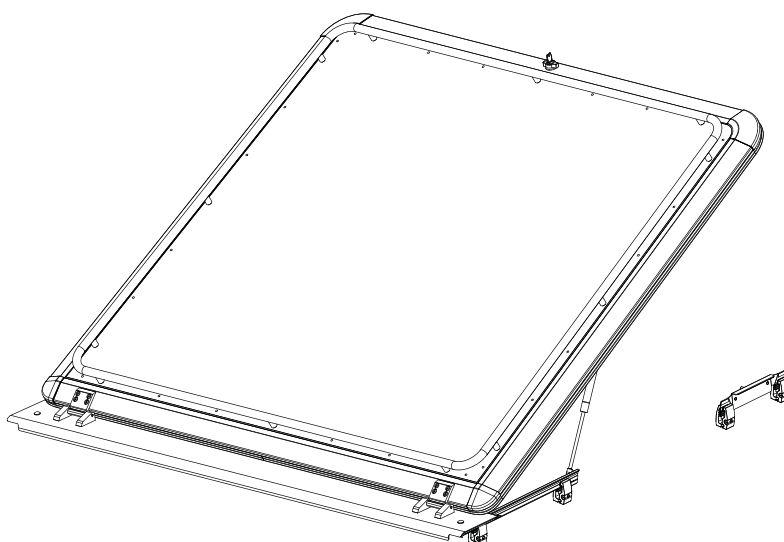




## Tonneau Cover Installation Instructions

Double cab  
Double Extended cab



Model Year: 2009 ⇨ TD

Part Number MTI:	MT VW80 A101	Double cab (Hand Rails)
	MT VW80 A201	Double cab (Sports Rails)
	MT VW80 H101	Double Ext. cab (Hand Rails)



Weight: 38 / 50 kg

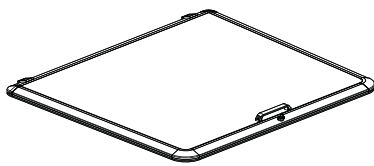

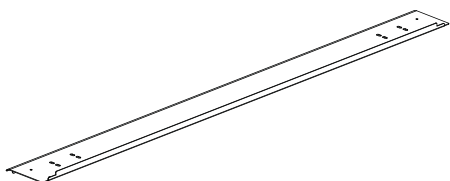

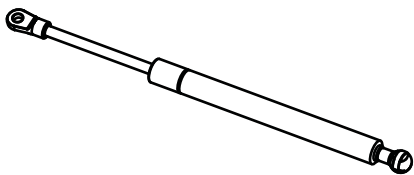
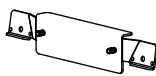
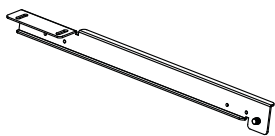

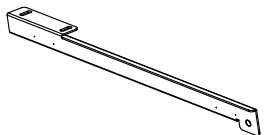
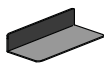
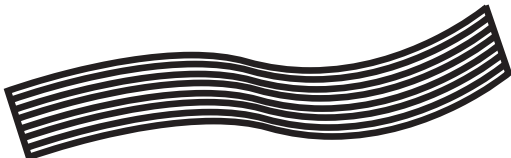



Installation Time: 1 hr

MTI-number 882 190	Issue 05	Date 11/07/2011	W80 A101 - A201 - H101	Page 1/14
Pedersholmparken 10	3600 Frederikssund	Denmark	ph: +45 4810 2950 Fax +45 4810 2960	www.mountaintop.dk






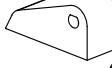

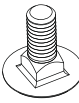


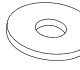
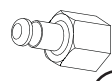


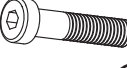
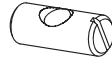



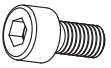








## Tonneau Cover Installation Instructions

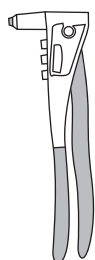
 <p><b>A</b></p> <p>(x 1)</p>	 <p><b>G1</b></p> <p>(x 8)</p>
 <p><b>B</b></p> <p>(x 1)</p>	 <p><b>G2</b></p> <p>(x 8)</p>
 <p><b>C</b></p> <p>(x 2)</p>	 <p><b>H</b></p> <p>(x 2)</p>
 <p><b>D</b></p> <p>(x 1)</p>	 <p><b>I</b></p> <p>(x 2)</p>
 <p><b>E</b></p> <p>(x 1)</p>	 <p><b>J</b></p> <p>(x 1)</p>
 <p><b>F</b></p> <p>(x 2)</p>	 <p><b>G</b></p> <p>(x 1)</p>

## Tonneau Cover Installation Instructions



	<b>U</b>  x 8	<b>V</b>  x 4	<b>X</b>  x 2	<b>Y</b>  x 8	<b>Z</b>  x 4	
	<b>K</b>  x 4	<b>L</b>  x 8	<b>M</b>  x 4	<b>N</b>  x 8	<b>O</b>  x 2	<b>P</b>  x 2
	<b>G3</b>  x 8	<b>G4</b>  x 8				
	<b>R1</b>  x 2	<b>R2</b>  x 4	<b>R3</b>  x 4	<b>R4</b>  x 2	<b>R5</b>  x 4	
	<b>W</b>  x 2					
	<b>Q</b>  x 2					

## Tonneau Cover Installation Instructions



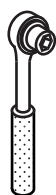
4 mm   
5 mm 





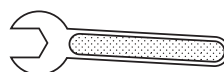
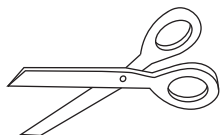
Ø5 mm



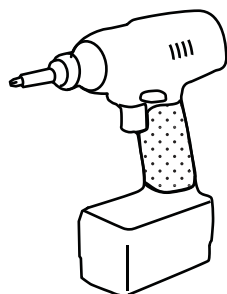
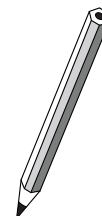
Rust protection  
Rostschutzmittel  
Anti-rouille  
Anti roest



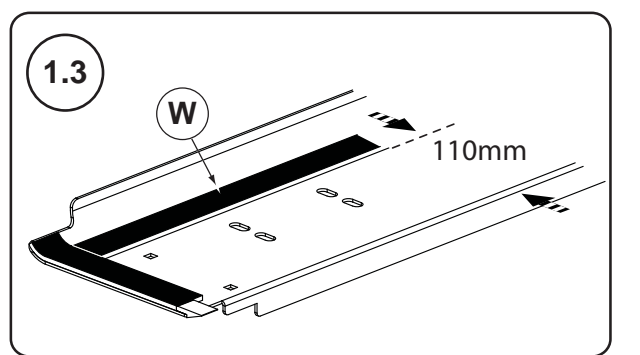
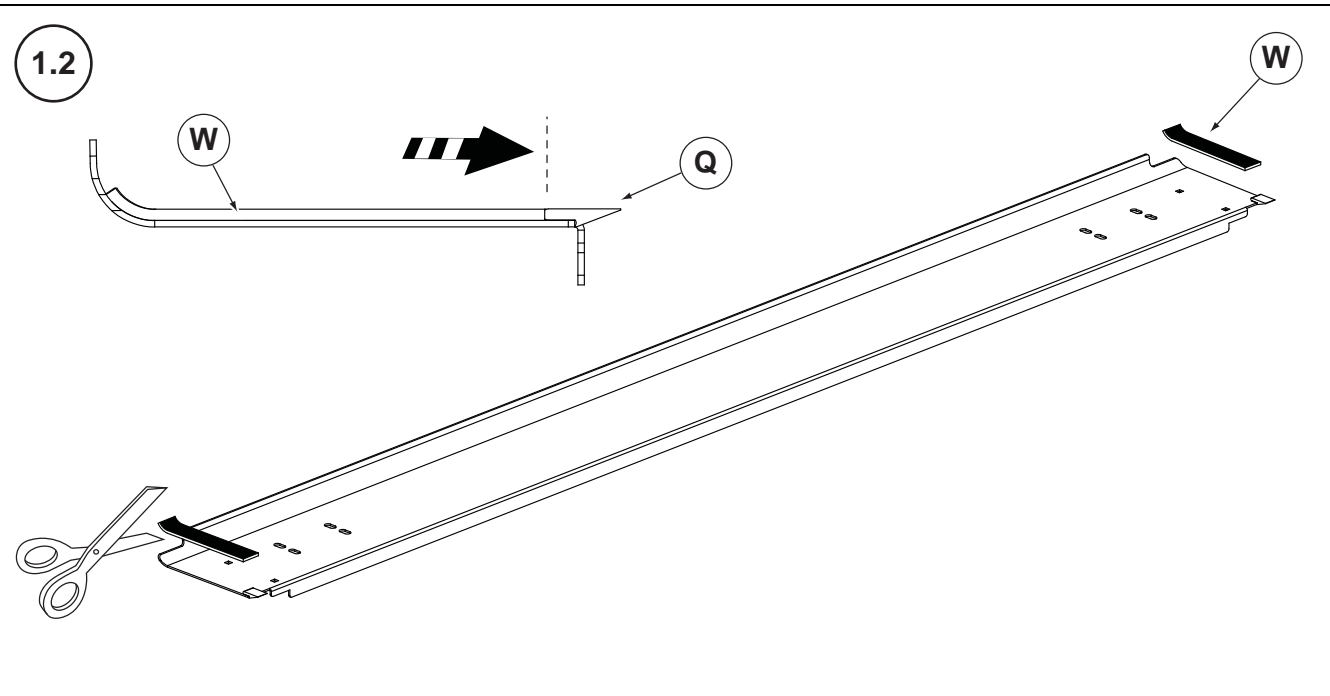
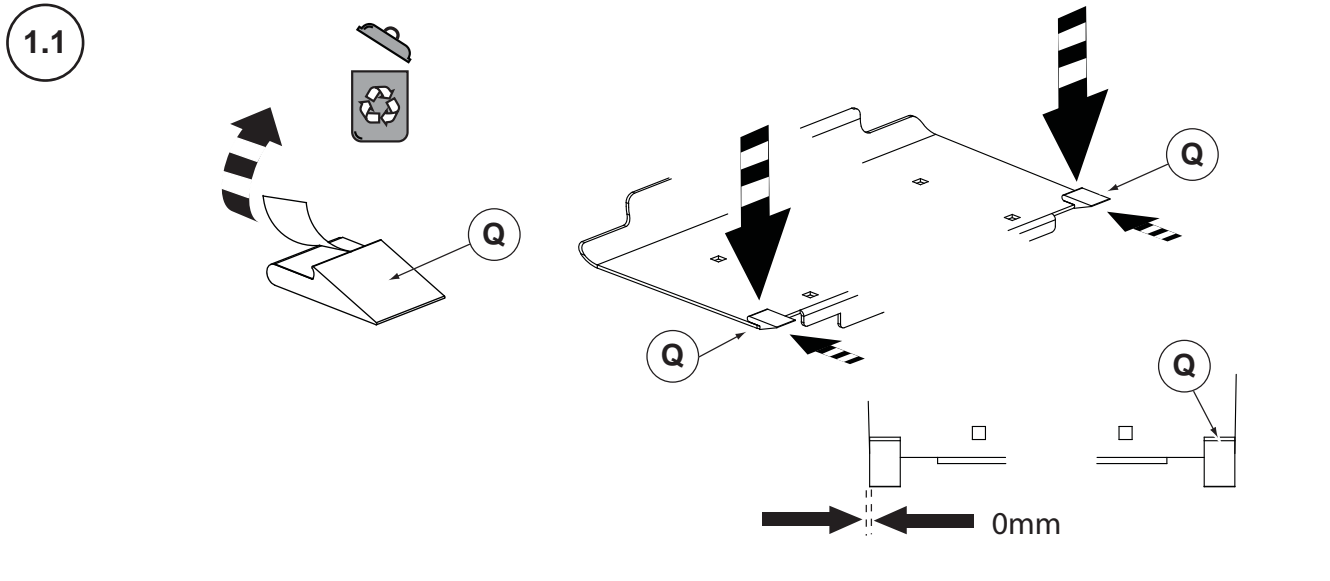
13 mm   
10 mm 



13 mm



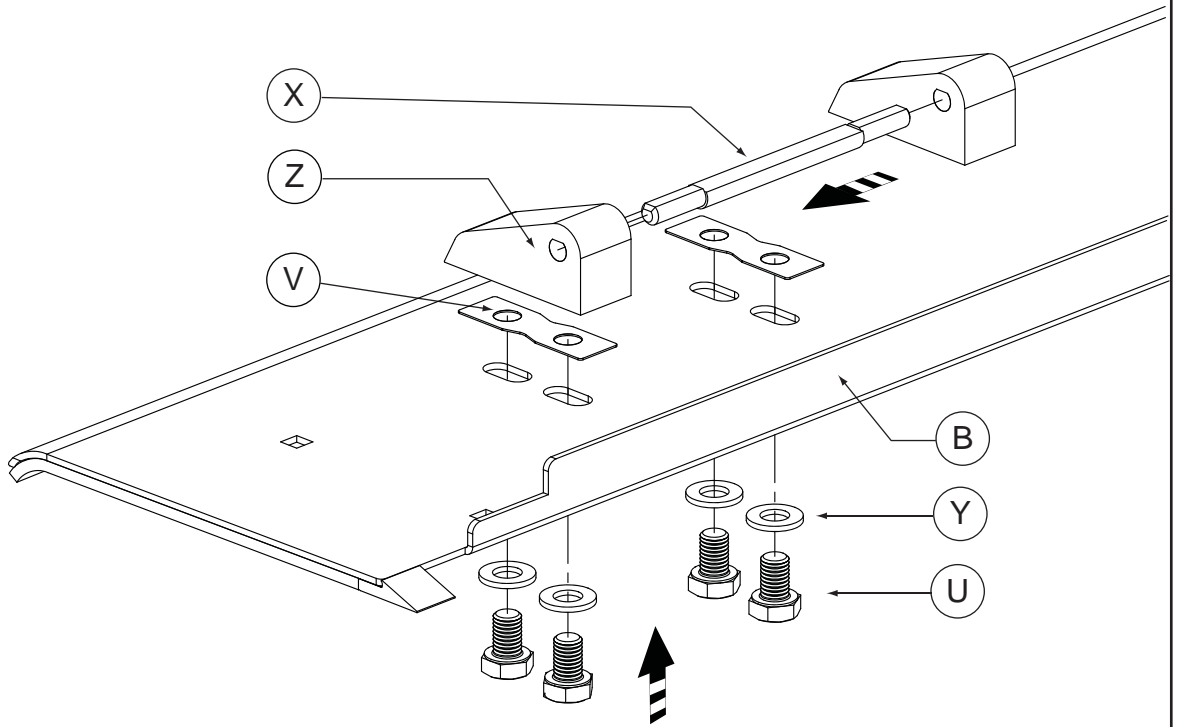
## Tonneau Cover Installation Instructions



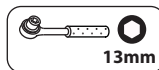
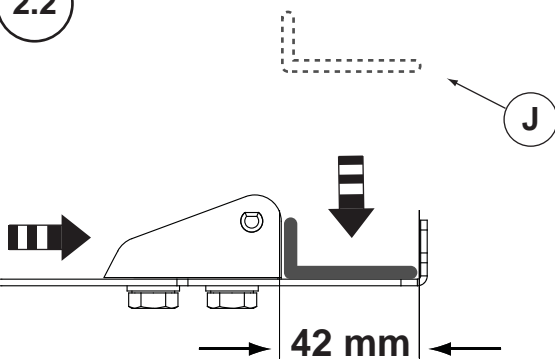
MTI-number 882 190	Issue 05	Date 11/07/2011	W80 A101 - A201 - H101	Page 5/14
Pedersholmparken 10	3600 Frederikssund	Denmark	ph: +45 4810 2950 Fax +45 4810 2960	www.mountaintop.dk



2.1

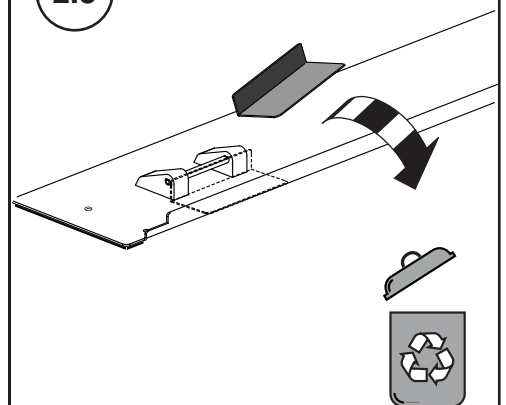


2.2



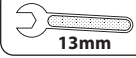
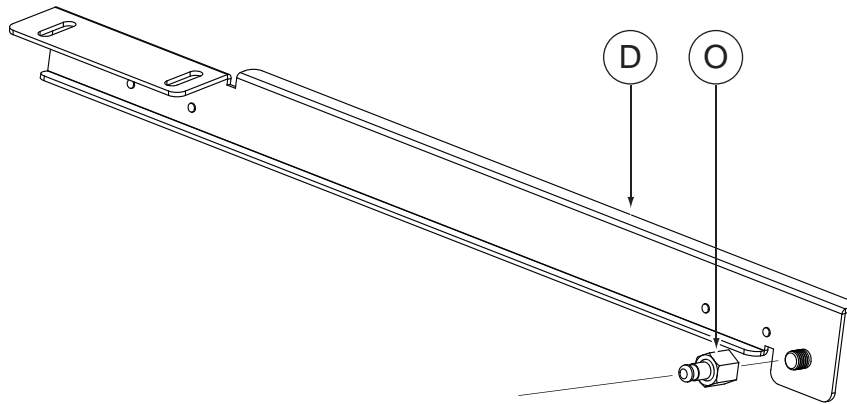
20 Nm

2.3



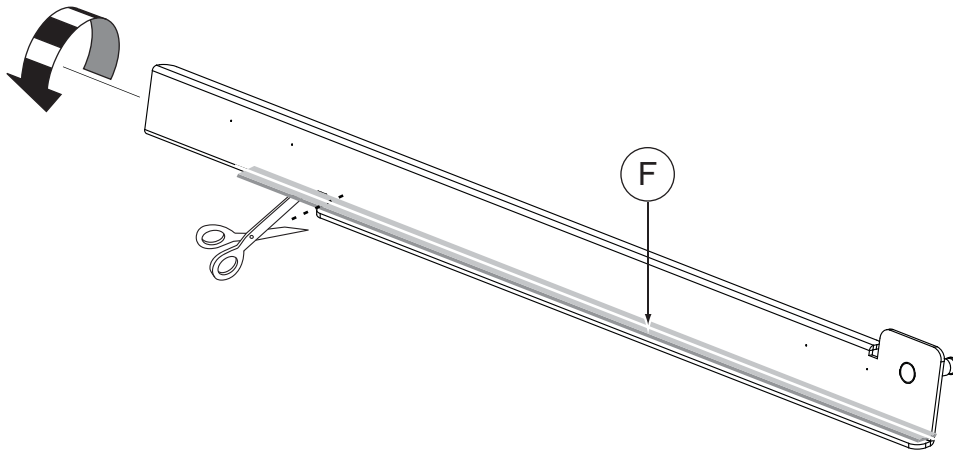


3.1

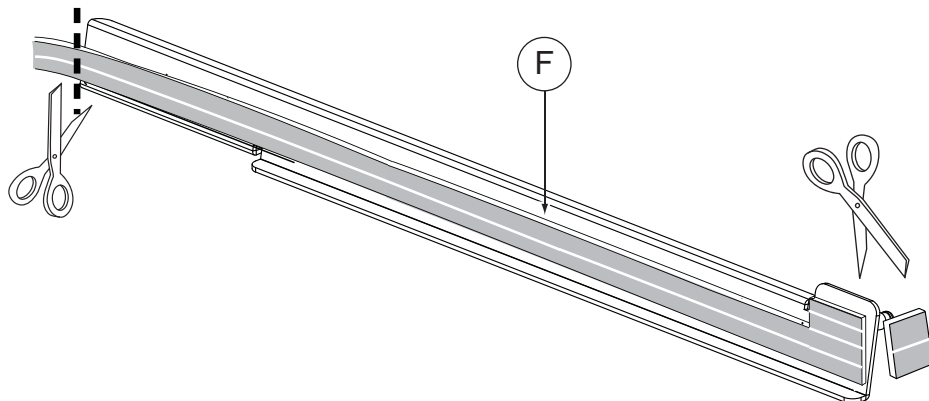


14 Nm

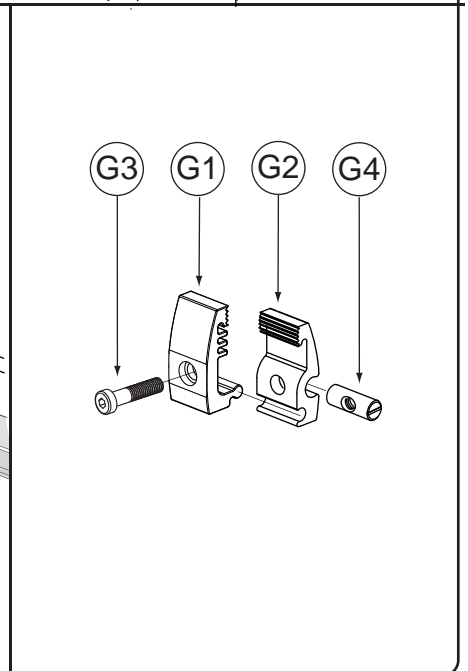
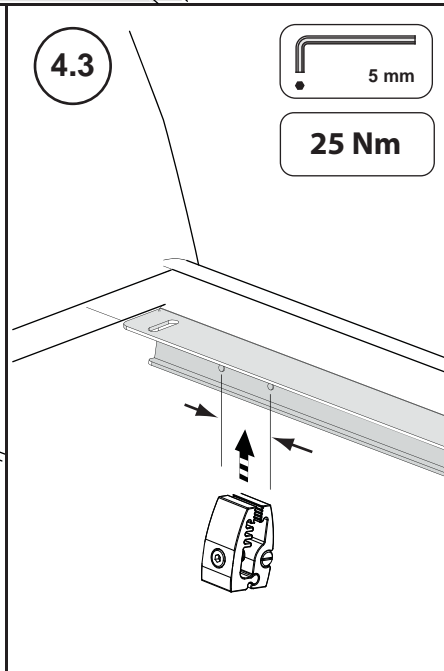
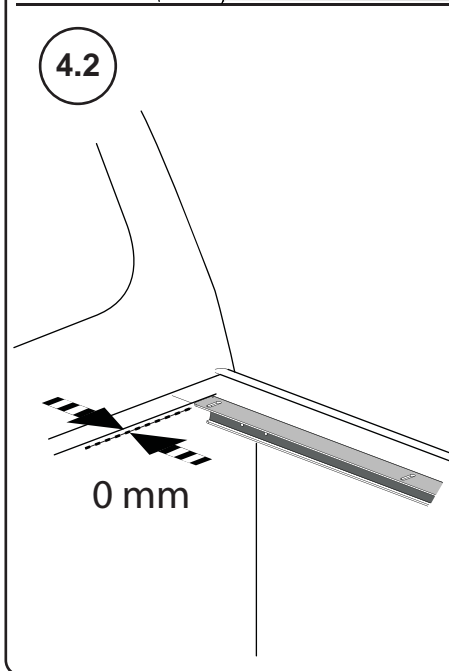
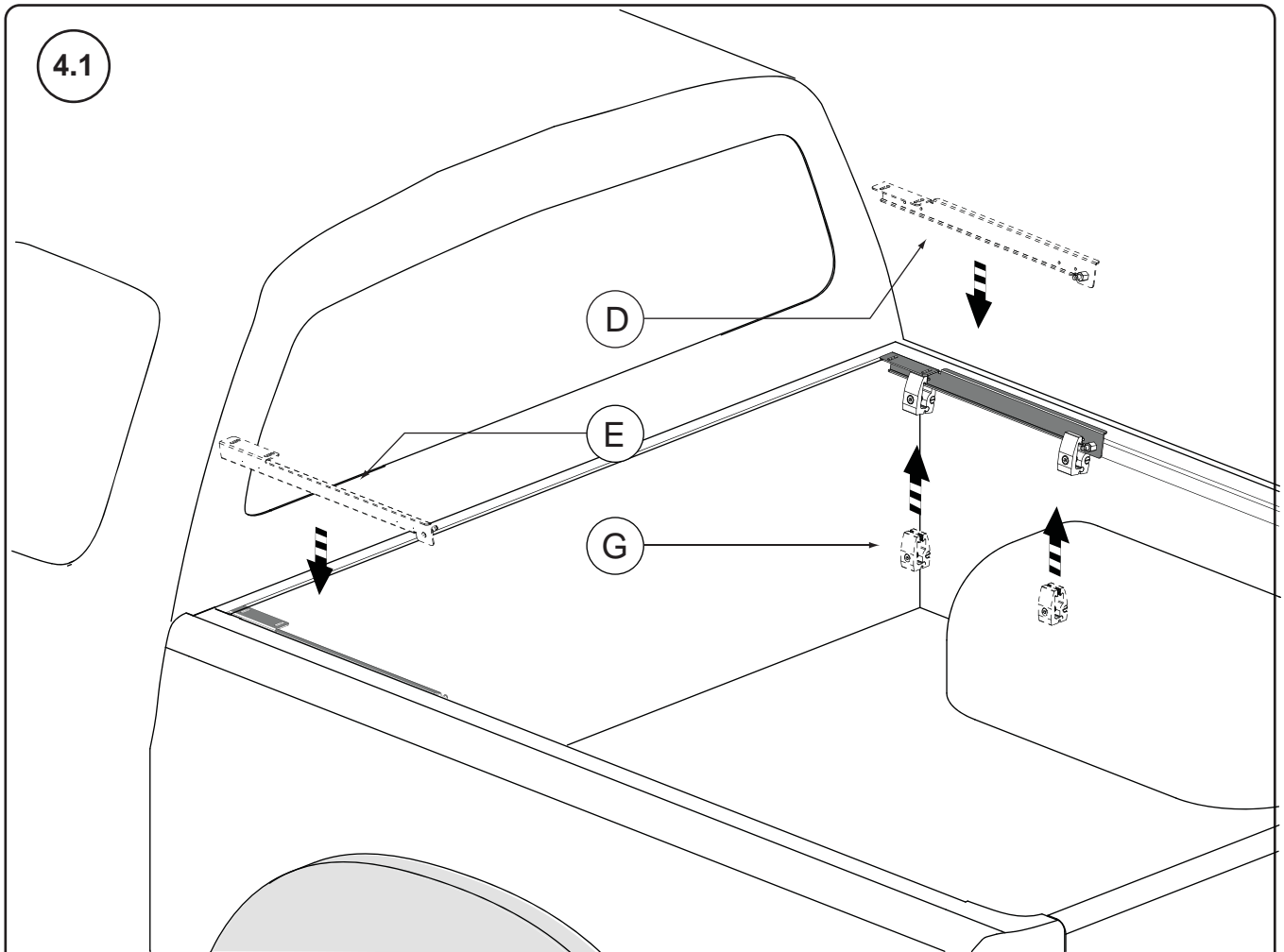
3.2



3.3

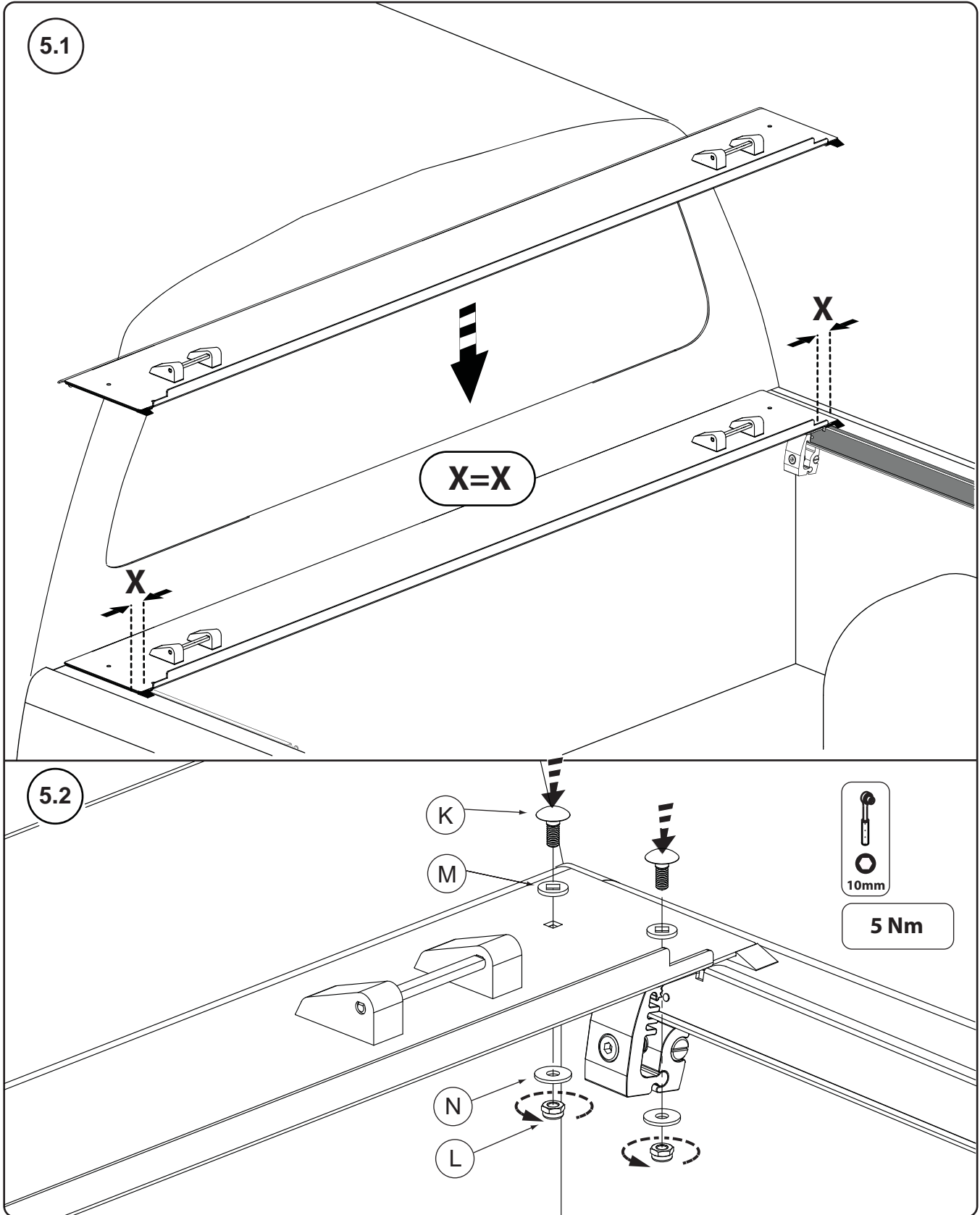


## Tonneau Cover Installation Instructions





## Tonneau Cover Installation Instructions

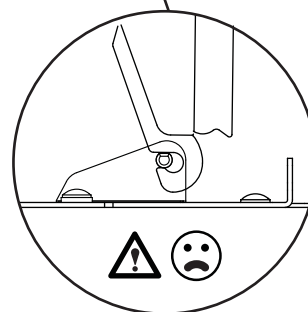
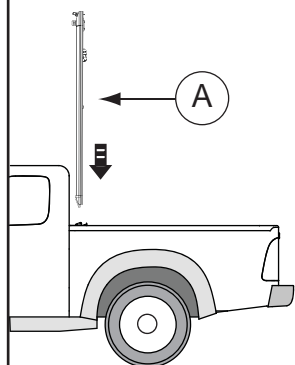
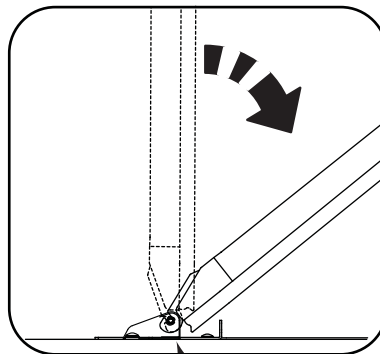
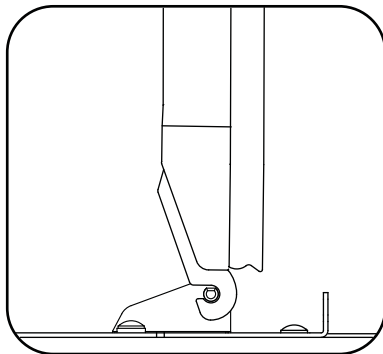
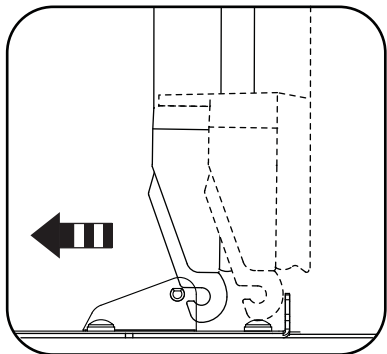


MTI-number 882 190	Issue 05	Date 11/07/2011	W80 A101 - A201 - H101	Page 9/14
Pedersholmparken 10	3600 Frederikssund	Denmark	ph: +45 4810 2950 Fax +45 4810 2960	www.mountaintop.dk

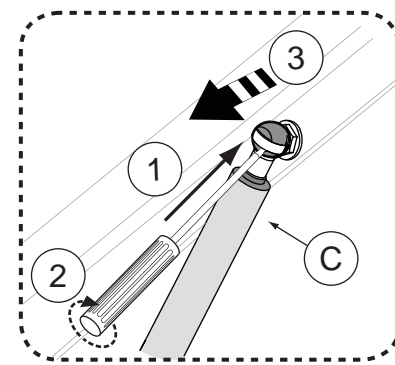
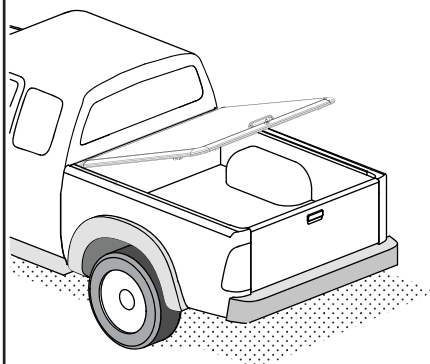
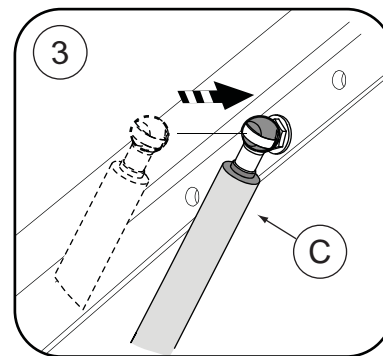
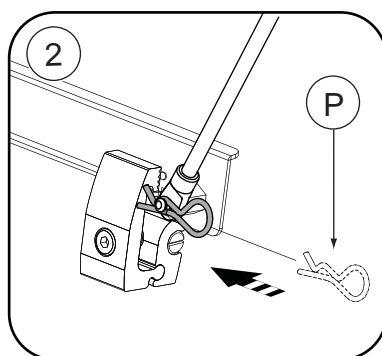
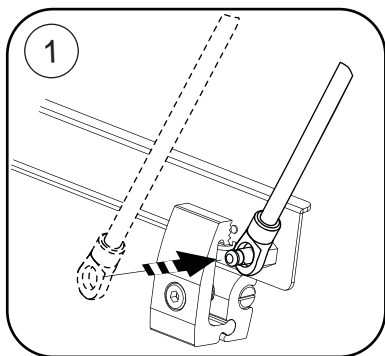
## Tonneau Cover Installation Instructions



6.1



6.2



MTI-number  
882 190

Issue  
05

Date  
11/07/2011

W80 A101 - A201 - H101

Page  
10/14

Pedersholmparken 10

3600 Frederikssund

Denmark

ph: +45 4810 2950

Fax +45 4810 2960

www.mountaintop.dk



**7.1**

**7.2**

**7.3**

**7.4**

5 mm

**25 Nm**

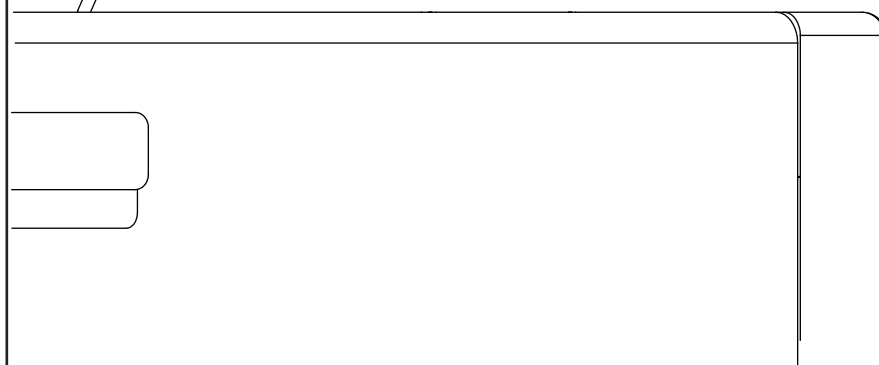
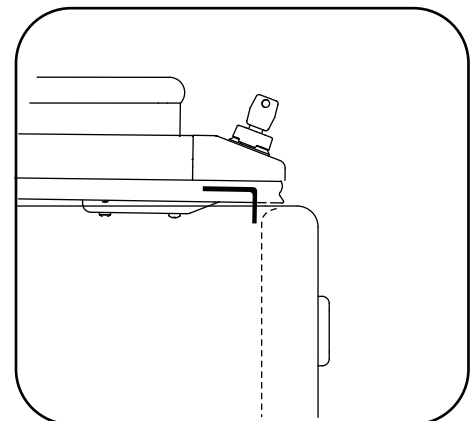
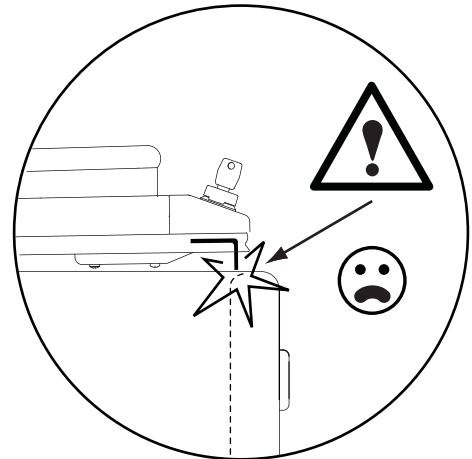
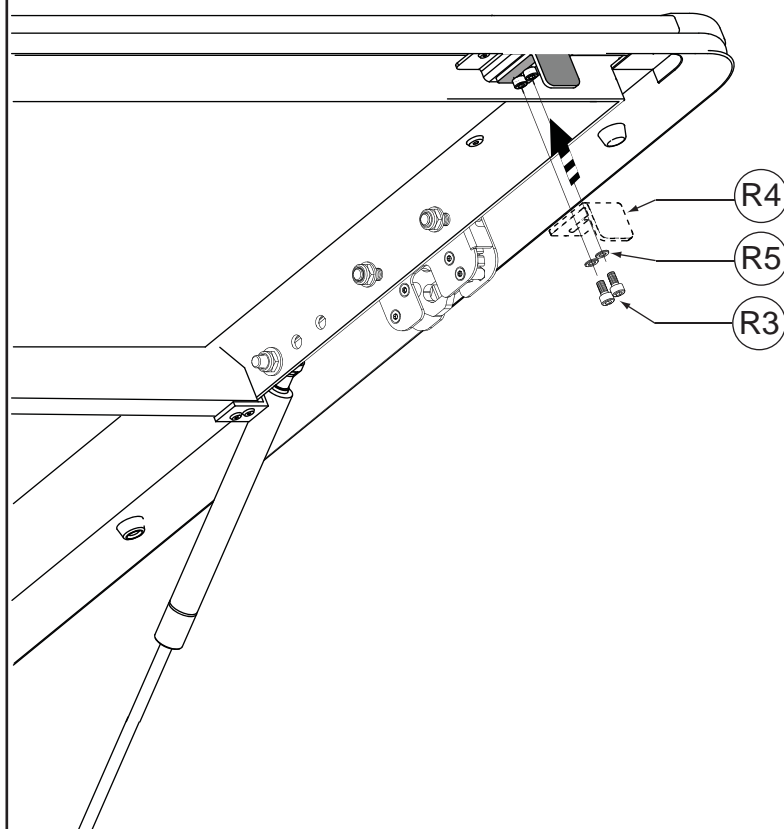
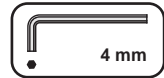
**7.5**

10mm

**10 Nm**



8.1



## Tonneau Cover Installation Instructions



**9.1**

**9.2**

## Tonneau Cover Installation Instructions



**9.3**

Ø5 mm

**9.4**

Rust protection  
Rostschutzmittel  
Anti-rouille  
Anti roest

**9.5**

R2

**9.6**

4 mm

5 Nm

**!** Cargo pull limit

**!** Cargo max load