

## TOYOTA - HILUX

### Tonneau Cover

#### Installation Instructions



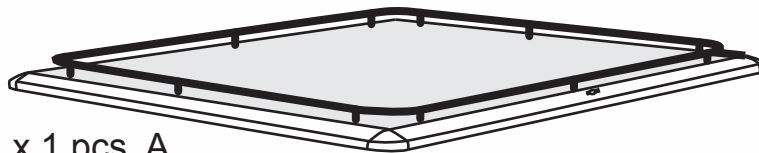
Model Year:	07/2005		
Cab Type:	Double cab / X-tra cab		
Part Number:	PZ4AD-MT700-	3A	Double
	PZ4AD-MT700-	4A	X-tra



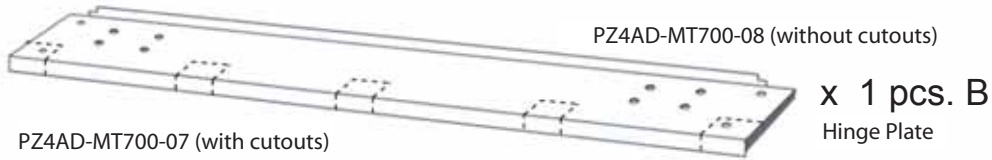
Weight: 31 / 43 kg

Manual reference number 000 448-12 Double / X-tra

## Step 1. Hardware components & descriptions



x 1 pcs. A



PZ4AD-MT700-07 (with cutouts)

PZ4AD-MT700-08 (without cutouts)

x 1 pcs. B  
Hinge Plate

PZ4AD-MT700-65



x 4 pcs. C  
Hinge Part



x 4 pcs. D  
Rubber packing



x 2 pcs. E  
Flat axel



x 8 pcs. F  
Bolt M8x12



x 8 pcs. G  
Washer M8

PZ4AD-MT700-62



x 2 pcs. H  
Side rail track (back)



x 6 pcs. I  
Textile packing, 10 mm



x 2 pcs. J  
Side rail track (front)

PZ4AD-MT700-03



x 2 pcs. K  
Gas prop pin



x 2 pcs. L  
Gas prop connector



x 2 pcs. M  
Gas prop

PZ4AD-MT700-05



x 2 pcs. N  
Striker lock plate



x 1 pcs. O  
Template



x 8 pcs. U  
Clamp



Key x 2 pcs. P  
Attached to Cover

PZ4AD-MT700-64



x 4 pcs. Q  
Button head screw M6



x 4 pcs. R  
Rubber washer



x 8 pcs. S  
Washer M6



x 8 pcs. T  
Lock nut M6

PZ4AD-MT700-10



x 2 pcs. X  
Lock bracket



x 4 pcs. Y  
Rivet 4,8 mm



x 2 pcs. Z  
Lock angle bracket



x 4 pcs. Ω  
Bolt M5 x 10



x 4 pcs. Σ  
Washer M5



x 1 pcs. α

MTI-number  
882 145

Issue  
11

Partnumber  
PZ4AD-MT700 - 3A - 4A

Manual ref. number  
000 448-12

Date  
11/01/11

Cab Type  
D/C - X/C

Page  
2/12

Pedersholmparken 10

3600 Frederikssund

Denmark

ph: +45 4810 2950

Fax +45 4810 2960

www.mountaintop.dk

## Step 2. Tools required for installation



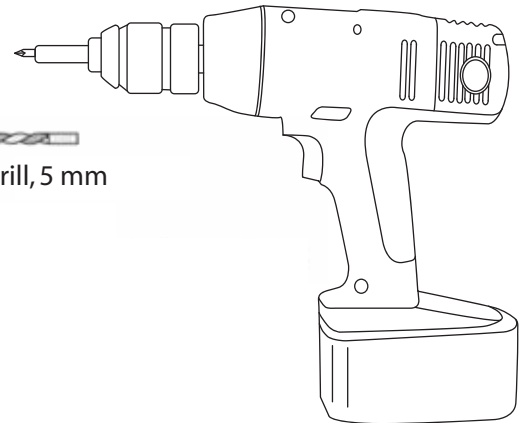
Wrench, 10 mm



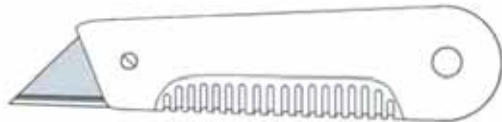
Wrench, 13 mm (2pcs.)



Wrench, 9/16" (15 mm )



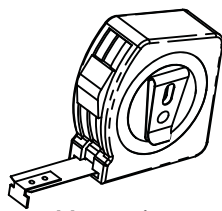
Drill, 5 mm



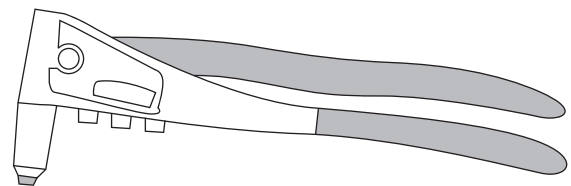
Utility knife



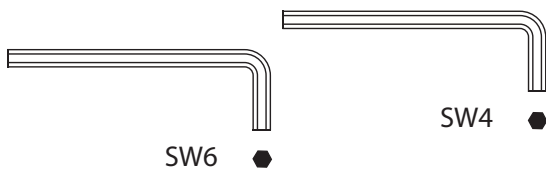
Rust protection  
Rostschutzmittel  
Anti-rouille  
Anti roest



Measuring tape



Pop rivet gun



SW6

SW4

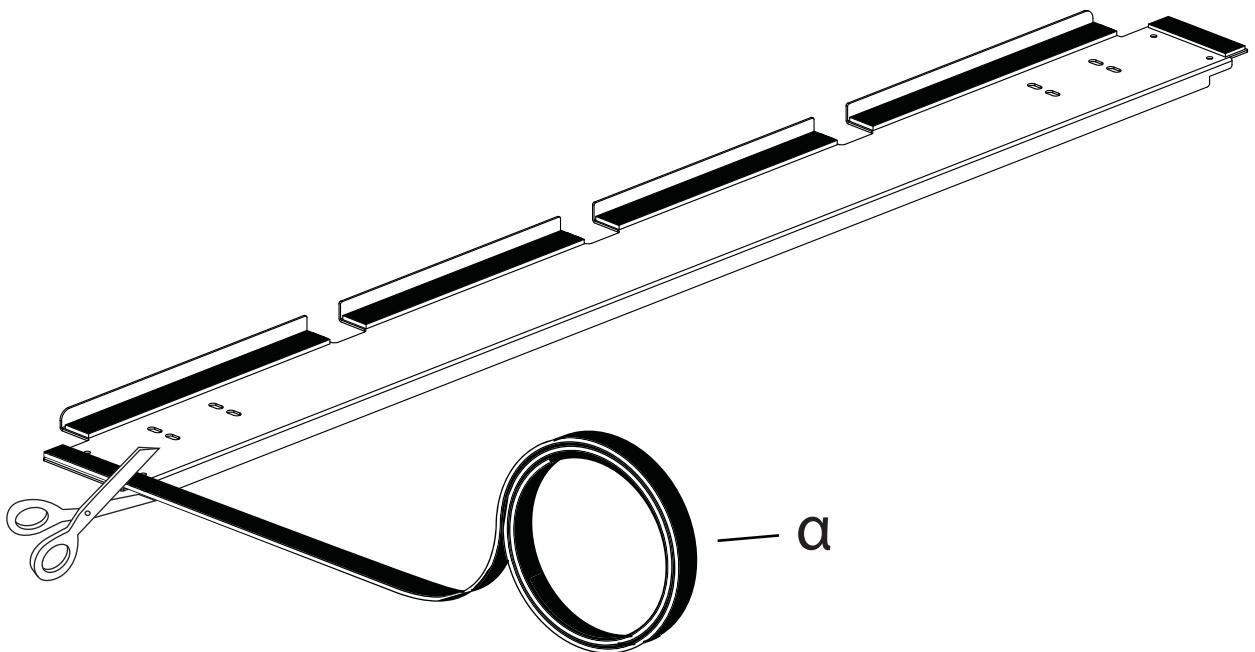
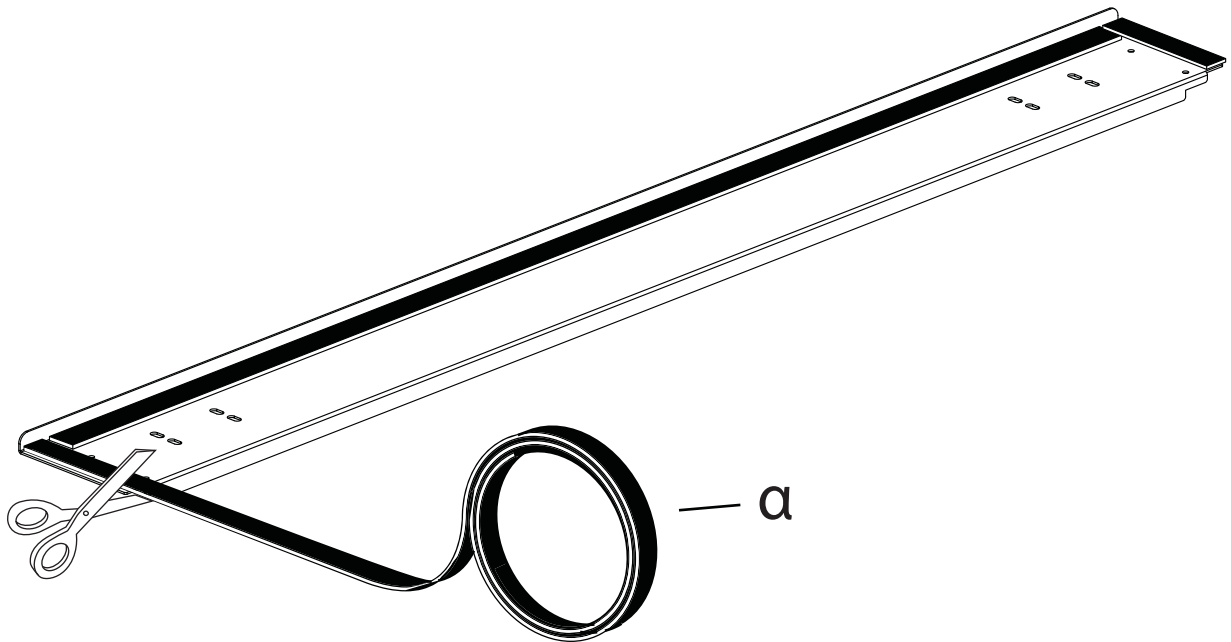


Screw driver

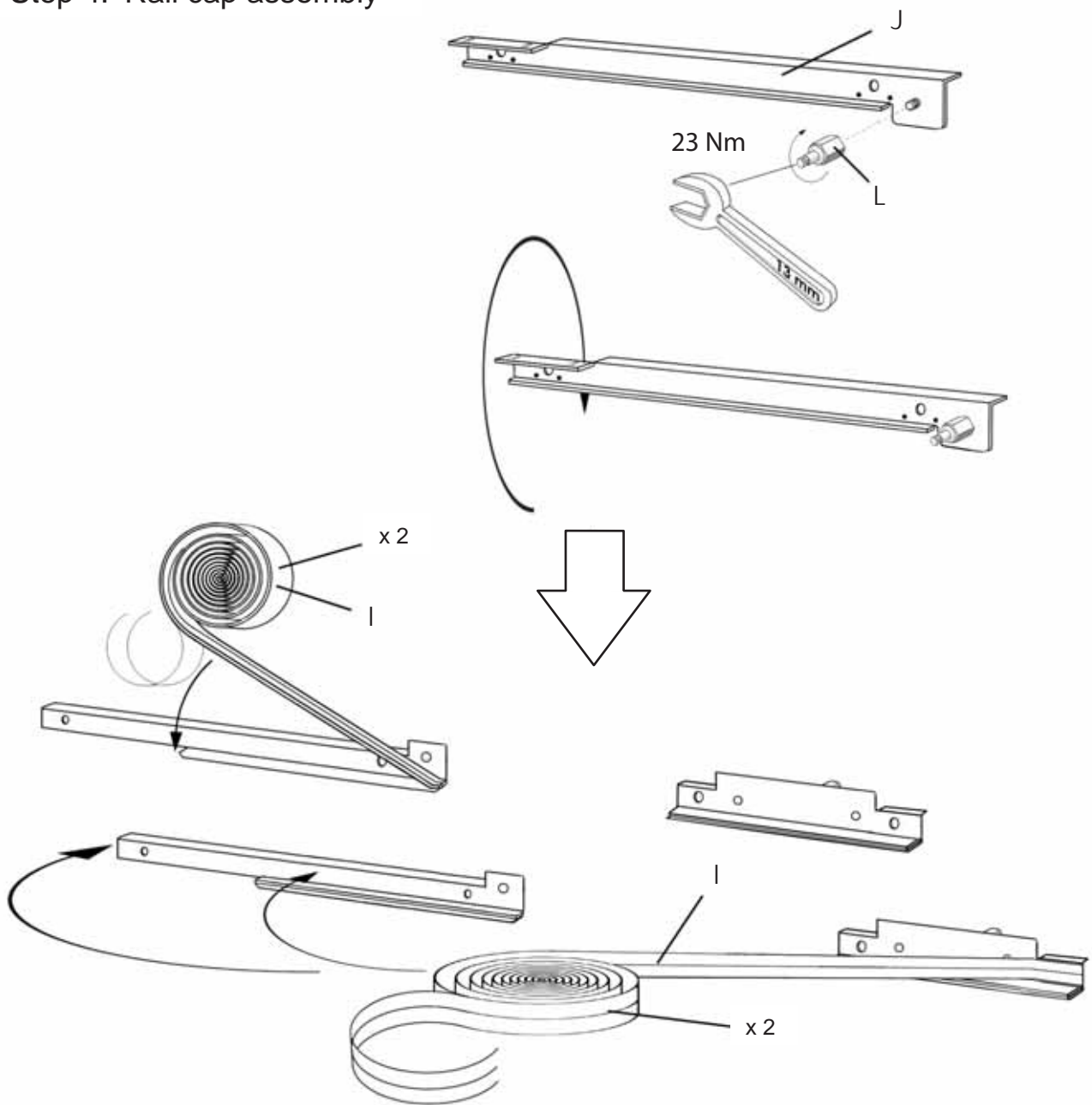


Black

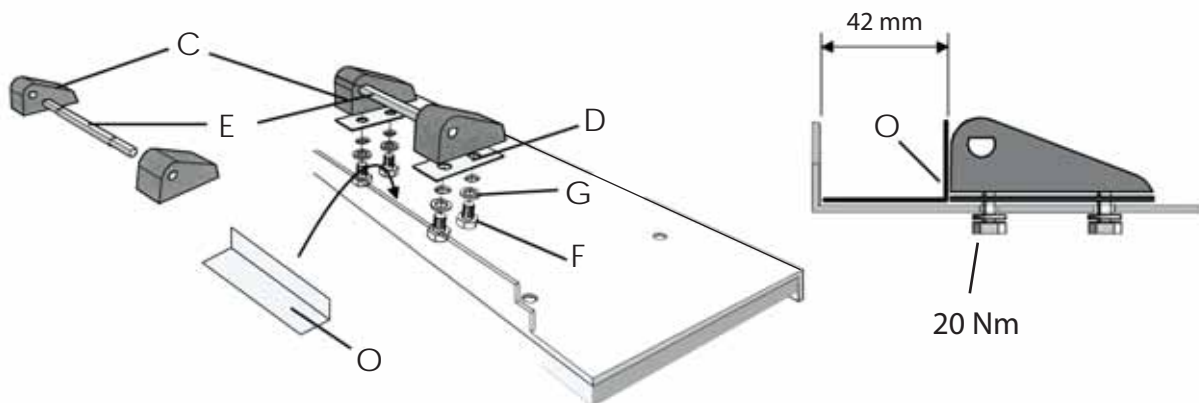
### Step 3. B: Hinge plate sealing



### Step 4. Rail cap assembly



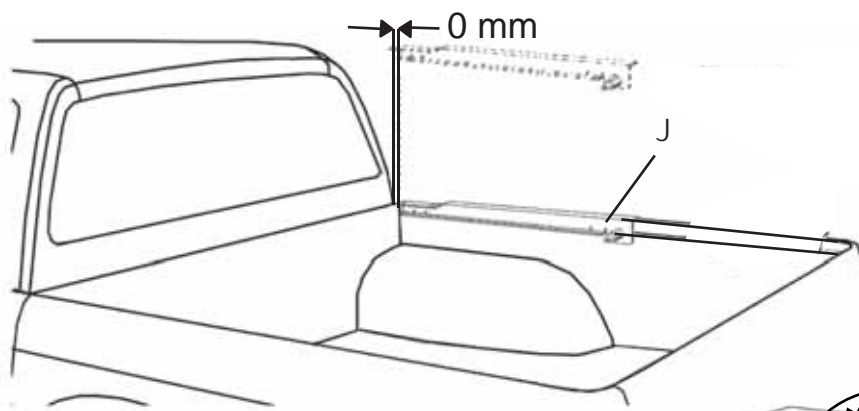
### Step 5. Hinge plate assembly



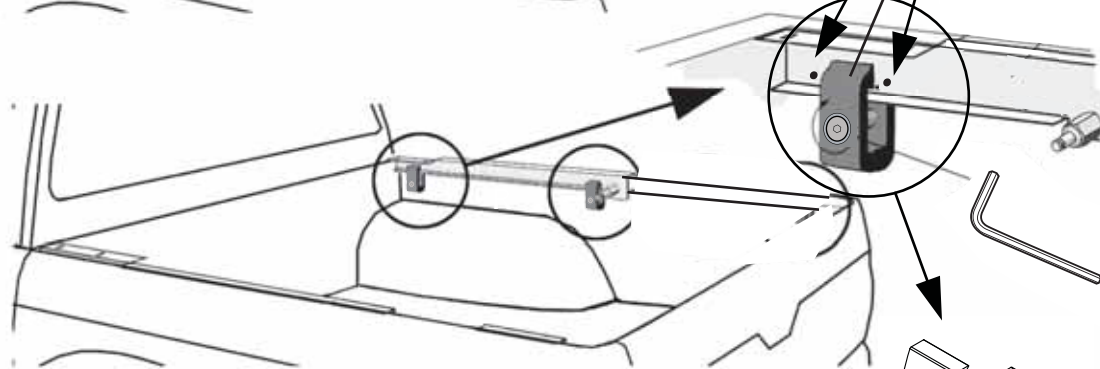
MTI-number 882 145	Issue 11	Partnumber PZ4AD-MT700 - 3A - 4A	Manual ref. number 000 448-12	Date 11/01/11	Cab Type D/C - X/C	Page 5/12
Pedersholmparken 10		3600 Frederikssund	Denmark	ph: +45 4810 2950	Fax +45 4810 2960	www.mountaintop.dk

### Step 6. Rail cap mounting

6.1

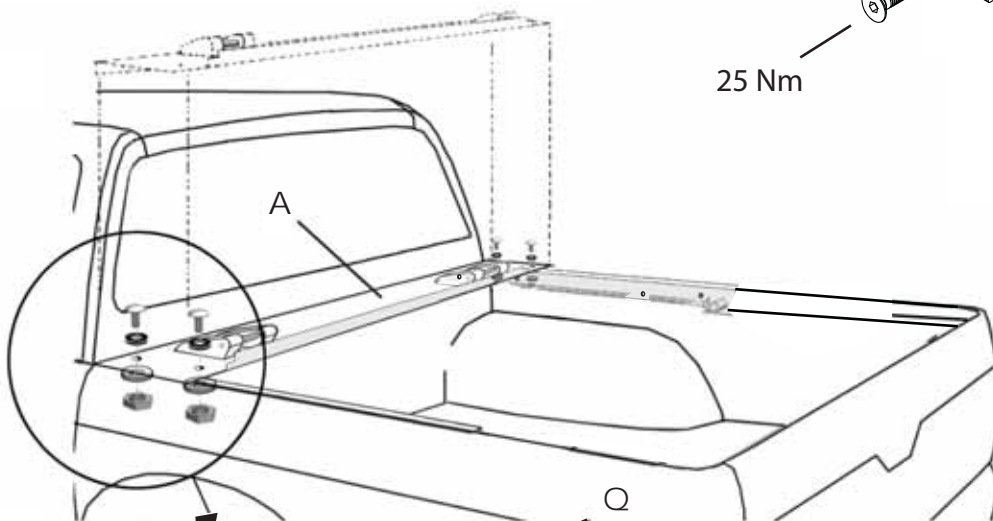


6.2

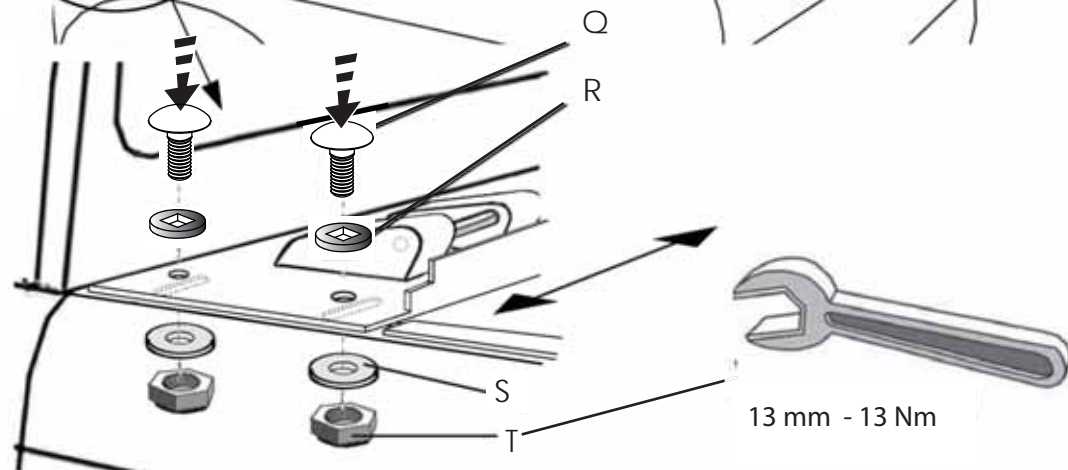


### Step 7. Hinge plate mounting

7.1



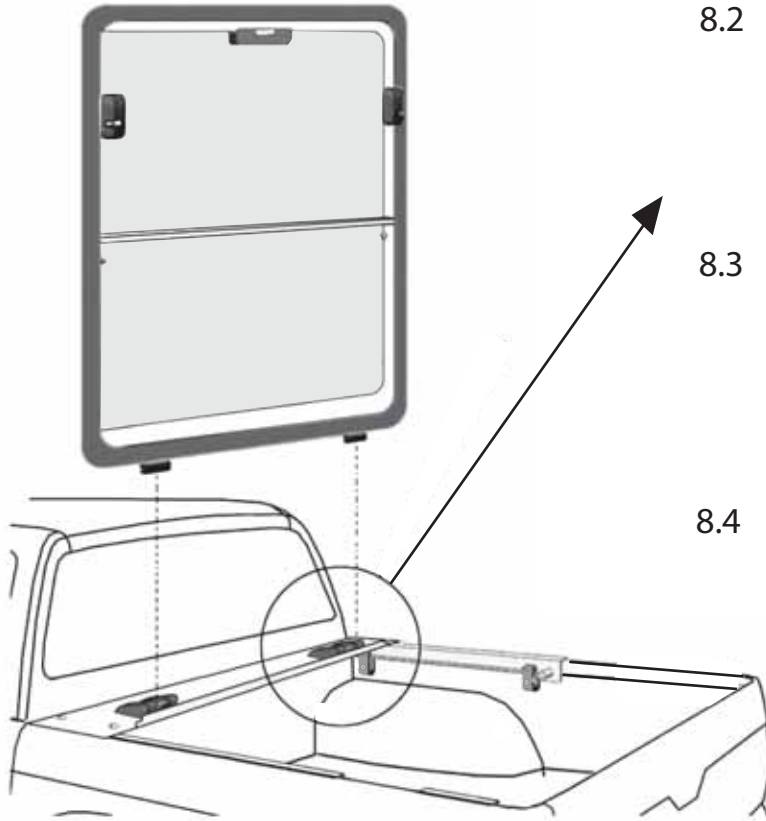
7.2



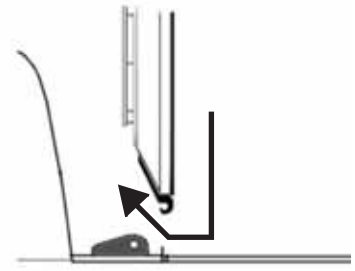


## Step 8. Mountain Top Cover mounting

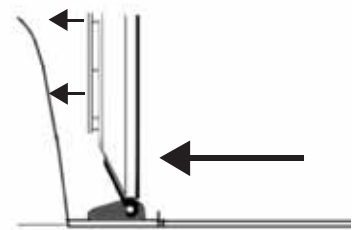
8.1



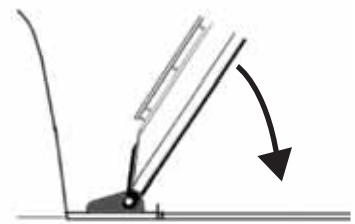
8.2



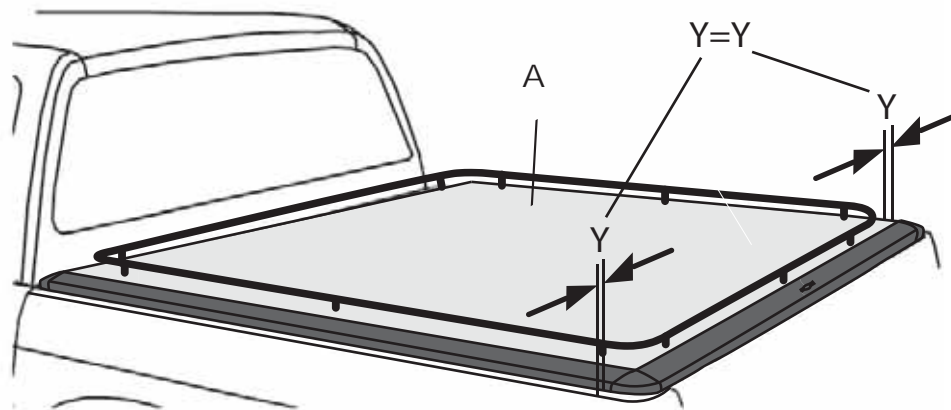
8.3



8.4

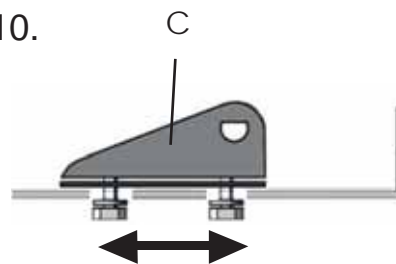


## Step 9. Mountain Top Cover adjusting

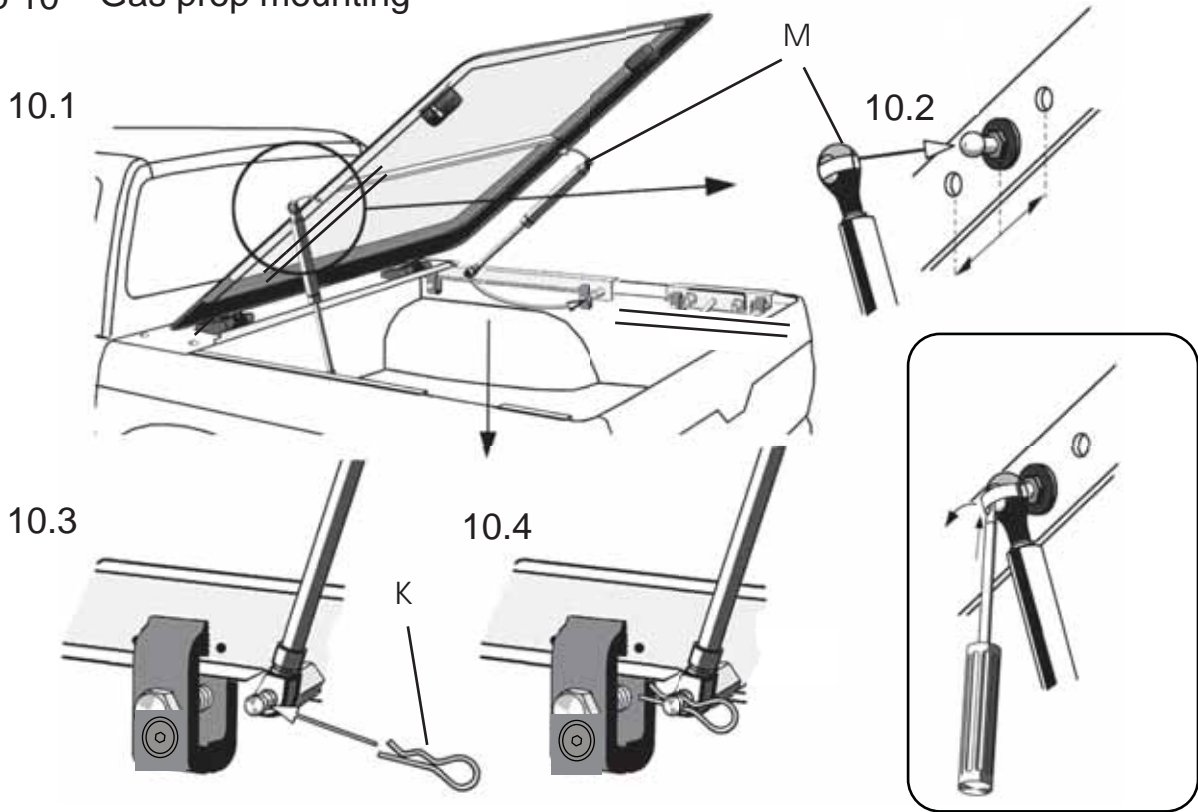


Y=Y → Step 10.

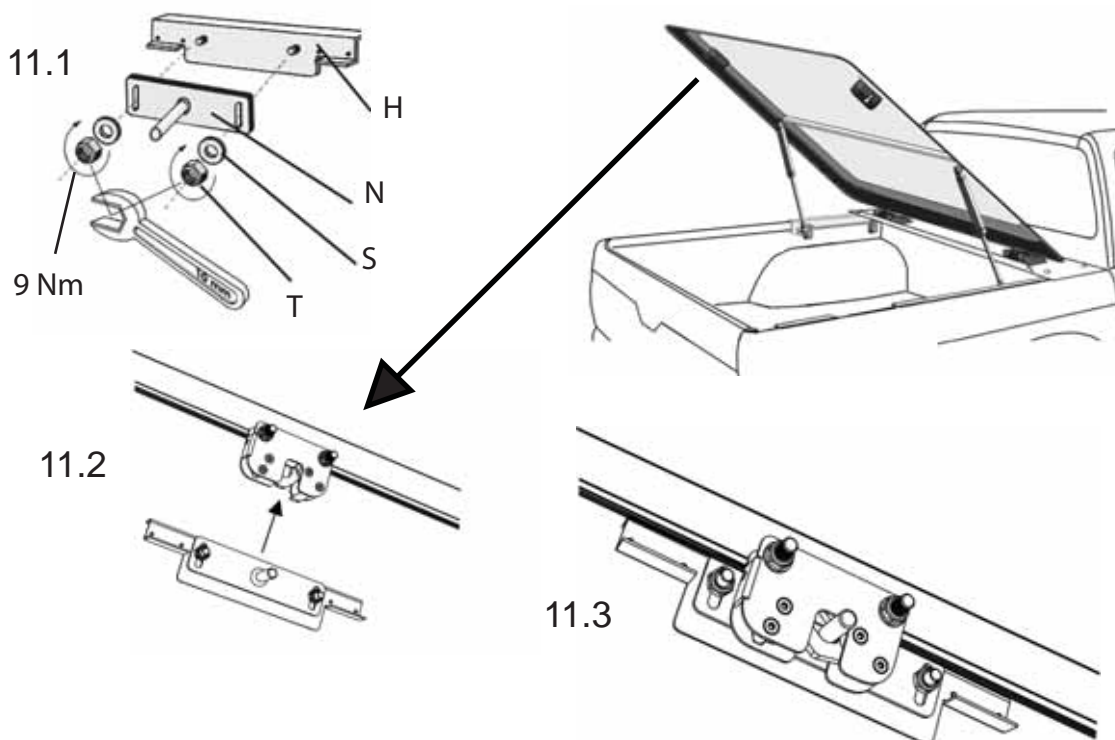
Y≠Y →



## Step 10 Gas prop mounting



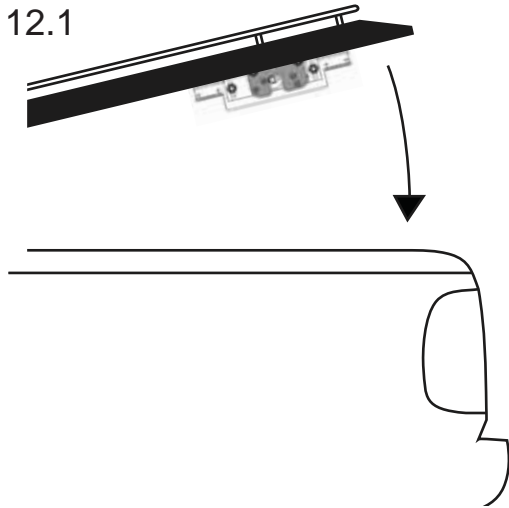
## Step 11. Back side rail placement



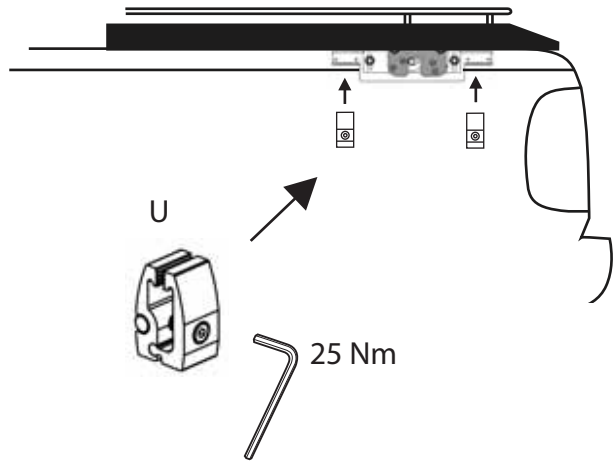


## Step 12. Back side rail mounting

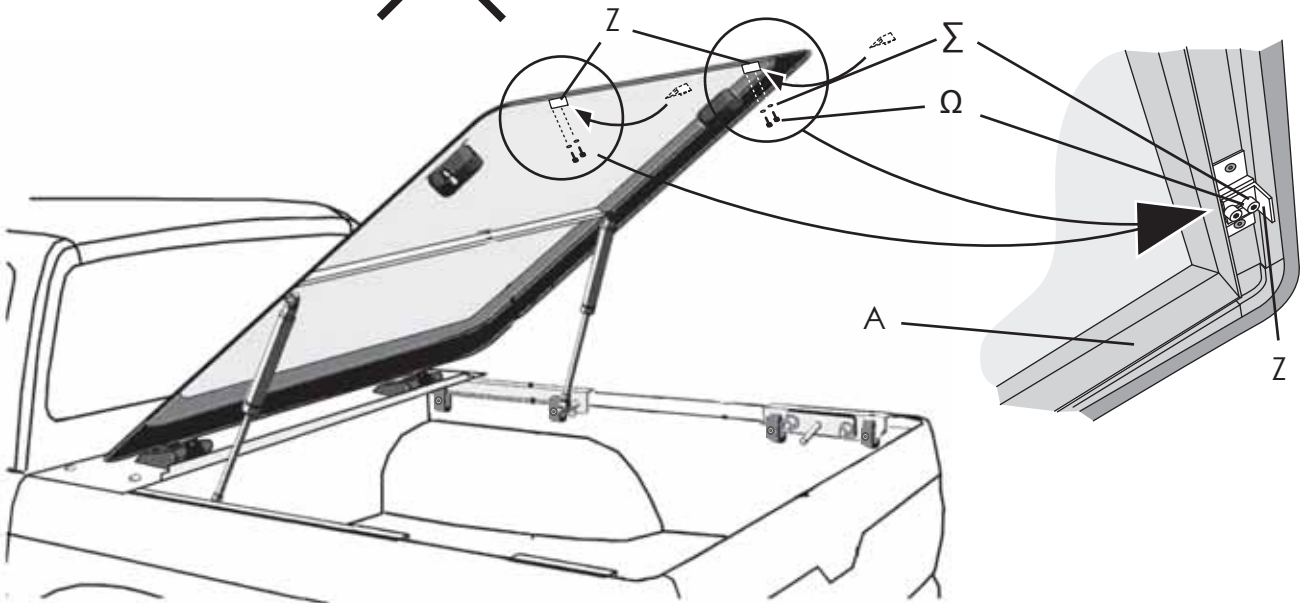
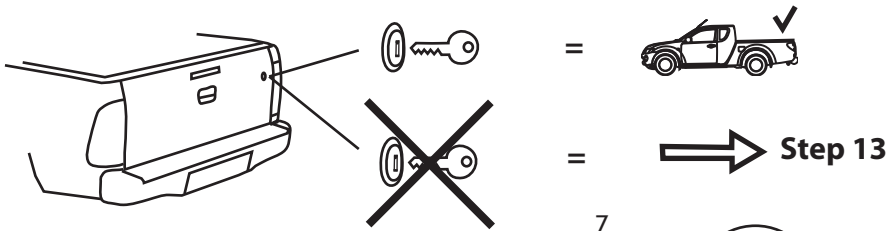
12.1



12.2

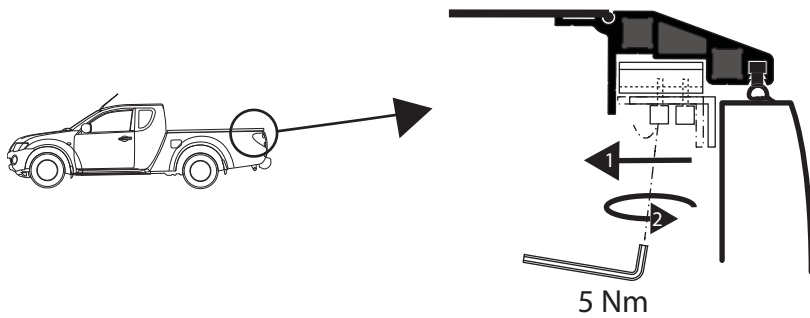
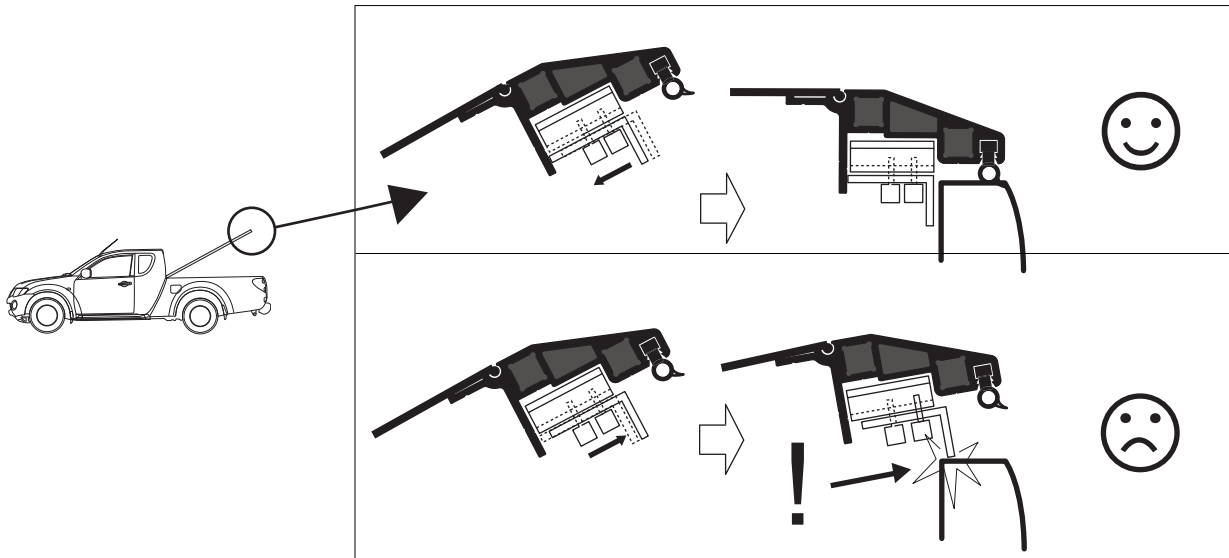


## Step 13. Lock angle bracket mounting

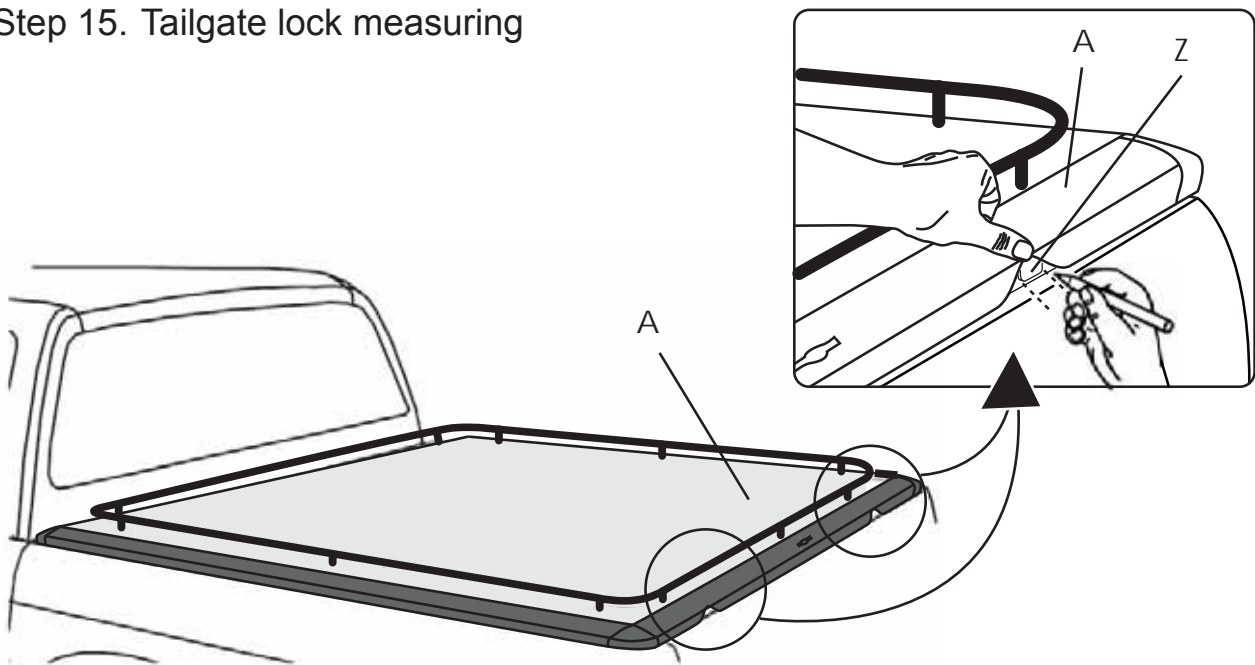


MTI-number 882 145	Issue 11	Partnumber PZ4AD-MT700 - 3A - 4A	Manual ref. number 000 448-12	Date 11/01/11	Cab Type D/C - X/C	Page 9/12
Pedersholmparken 10		3600 Frederikssund	Denmark	ph: +45 4810 2950	Fax +45 4810 2960	www.mountaintop.dk

## Step 14. Tailgate lock adjusting

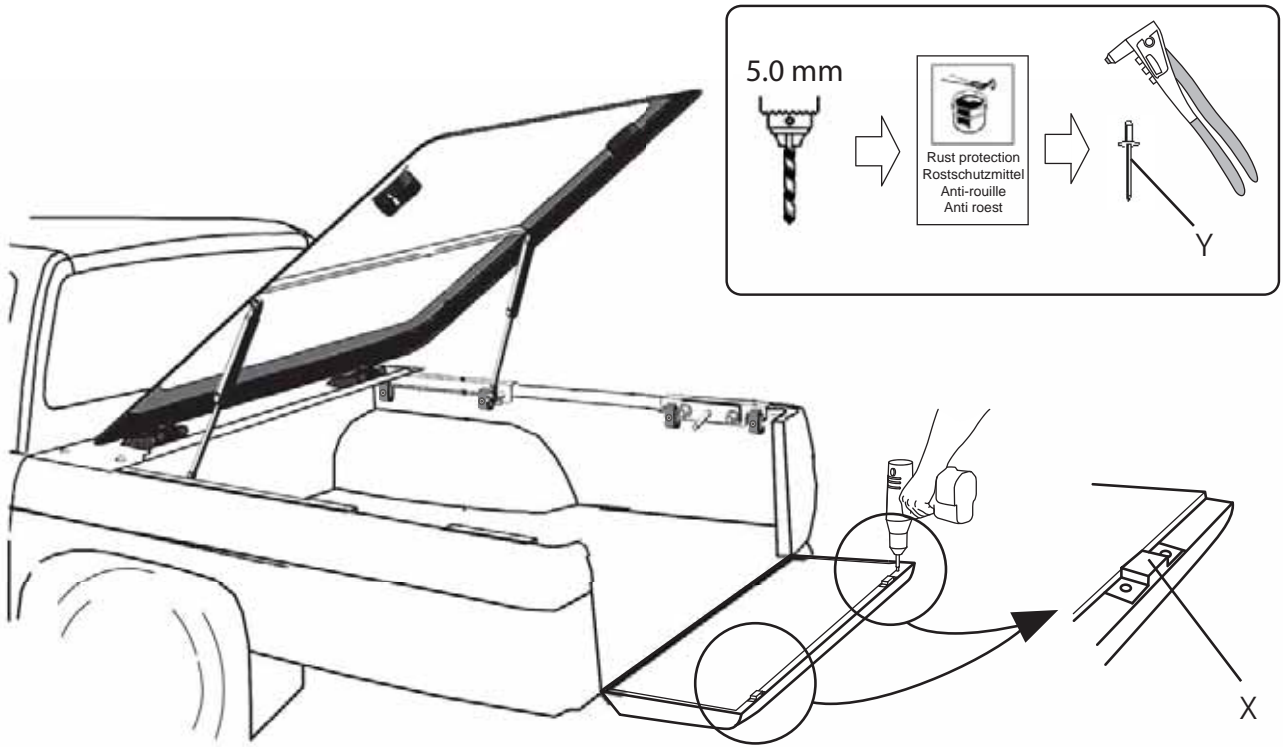


## Step 15. Tailgate lock measuring

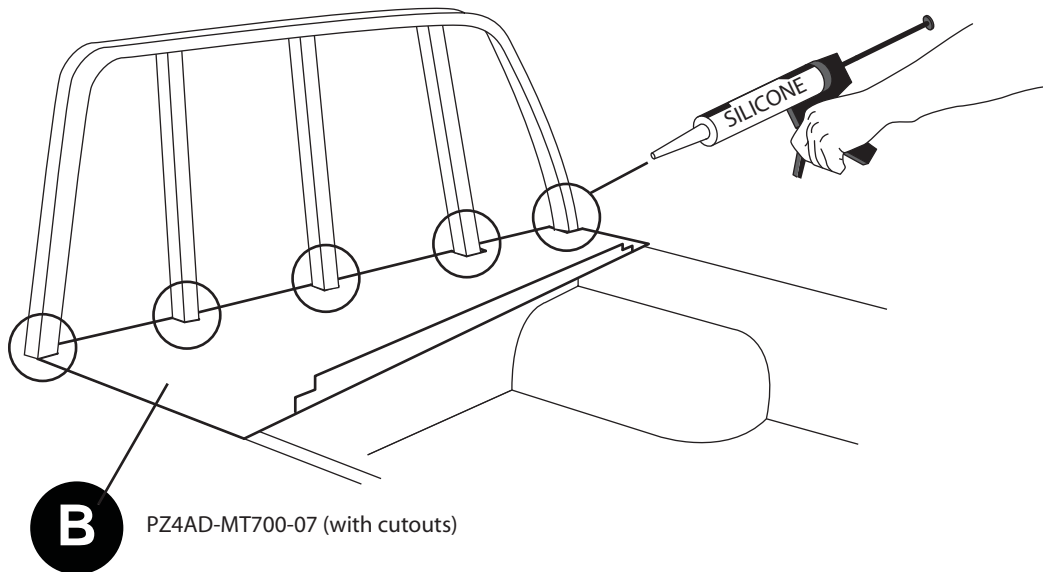


MTI-number 882 145	Issue 11	Partnumber PZ4AD-MT700 - 3A - 4A	Manual ref. number 000 448-12	Date 11/01/11	Cab Type D/C - X/C	Page 10/12
Pedersholmparken 10		3600 Frederikssund	Denmark	ph: +45 4810 2950	Fax +45 4810 2960	www.mountaintop.dk

## Step 16. Tailgate lock mounting



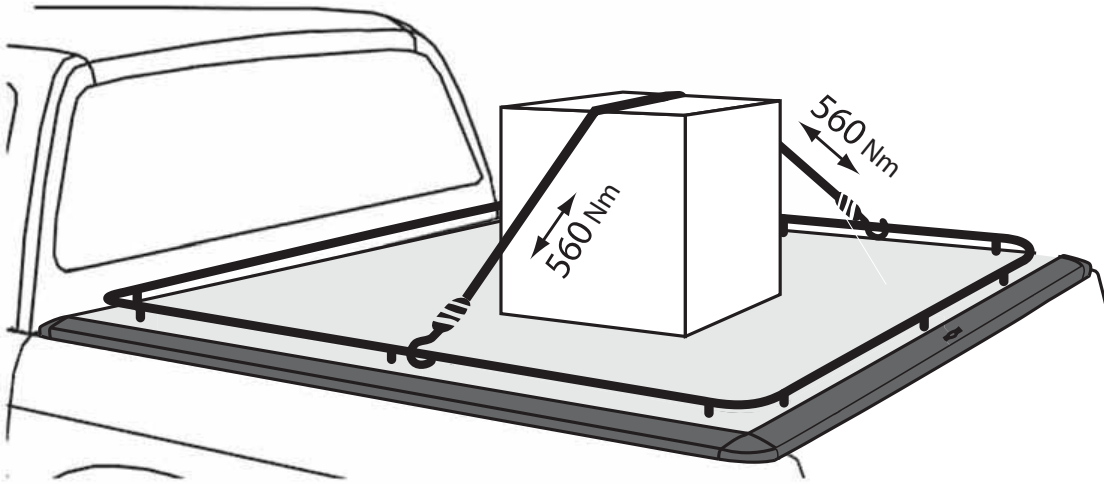
## Step 17. Hinge plate final sealing



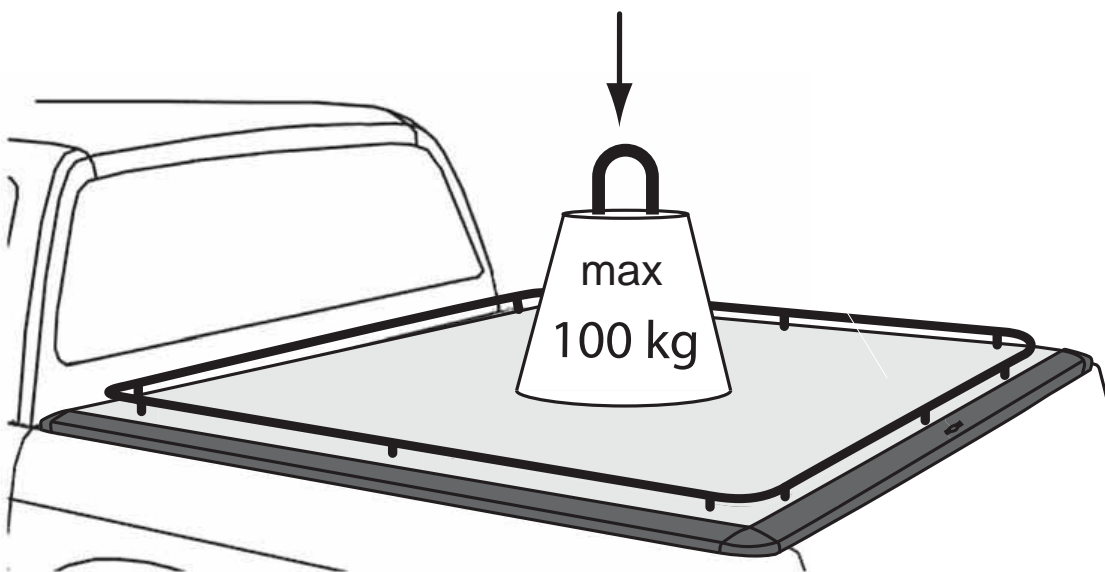
MTI-number 882 145	Issue 11	Partnumber PZ4AD-MT700 - 3A - 4A	Manual ref. number 000 448-12	Date 11/01/11	Cab Type D/C - X/C	Page 11/12
Pedersholmparken 10		3600 Frederikssund	Denmark	ph: +45 4810 2950	Fax +45 4810 2960	www.mountaintop.dk



### Cargo pull limit



### Cargo max load



MTI-number 882 145	Issue 11	Partnumber PZ4AD-MT700 - 3A - 4A	Manual ref. number 000 448-12	Date 11/01/11	Cab Type D/C - X/C	Page 12/12
Pedersholmparken 10		3600 Frederikssund	Denmark	ph: +45 4810 2950	Fax +45 4810 2960	www.mountaintop.dk