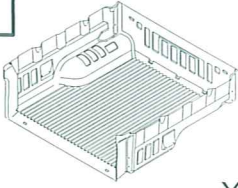


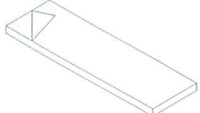
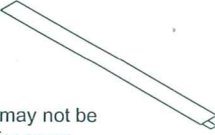








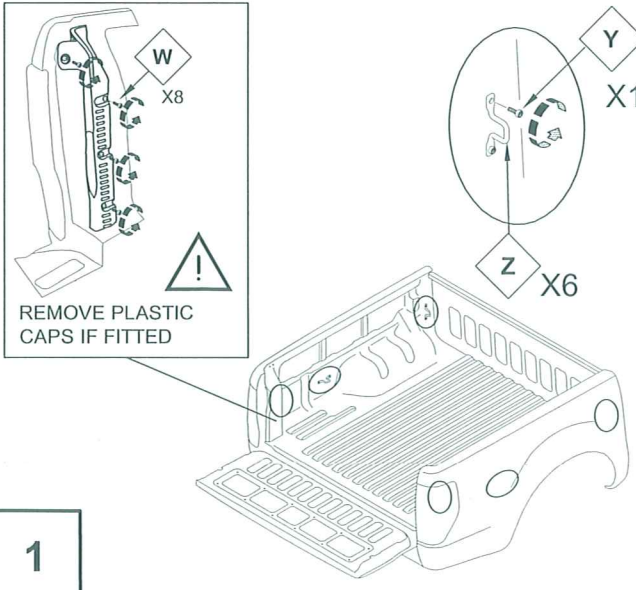
INSTALLATION INSTRUCTIONS (K542)

Under Rail Liner

Ford-Ranger T6-2011-Double Cab

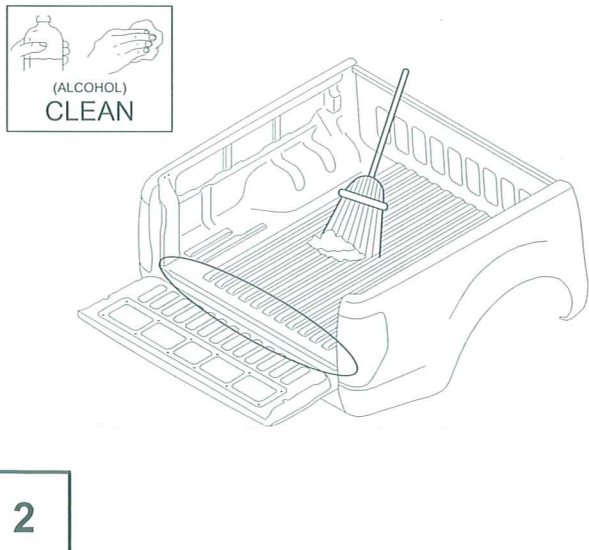
A  X1	B  X1	C  X6	D  X10	
E  X1 ⚠ This part may not be included for some markets	F  X2 (1L + 1R)	G  M8x20mm X8	H  M6x16mm Pan Pozi M6x19mm Washer X6	I  X2 (1L + 1R)

◊ = EXISTING PART
 ○ = NEW PART



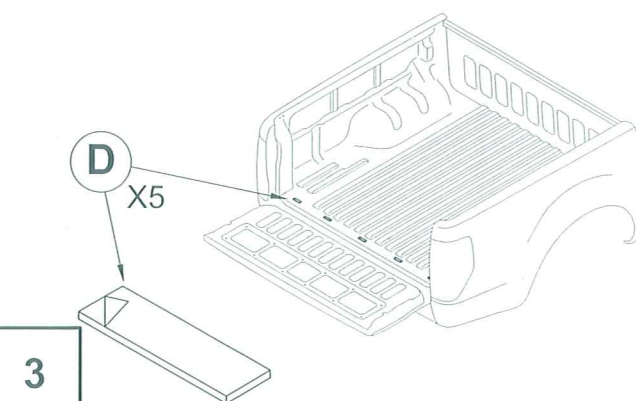
1

REMOVE PLASTIC CAPS IF FITTED

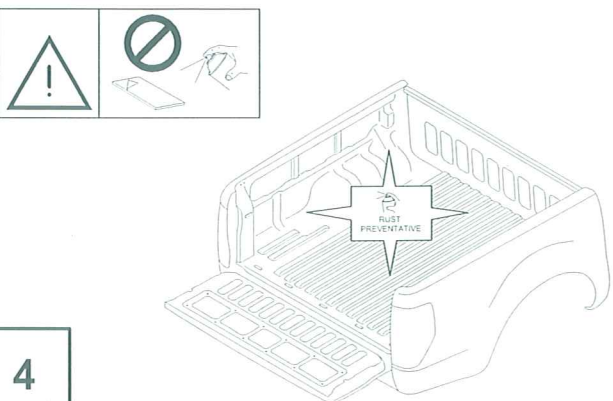


2

(ALCOHOL) CLEAN



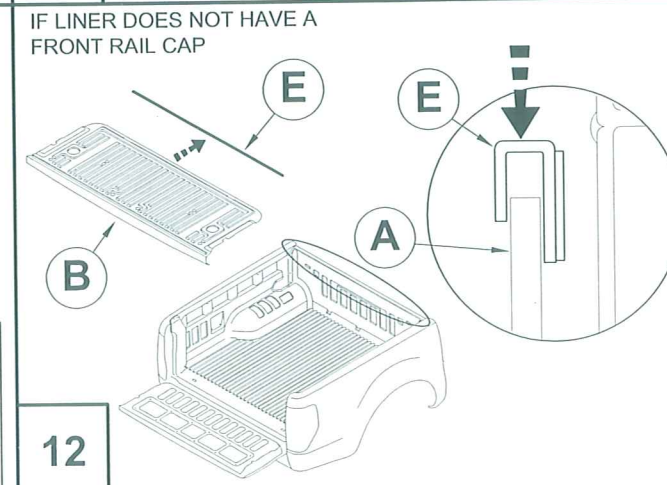
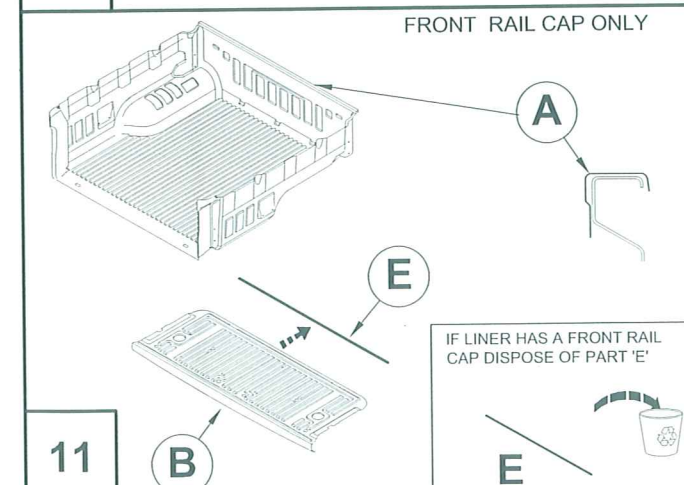
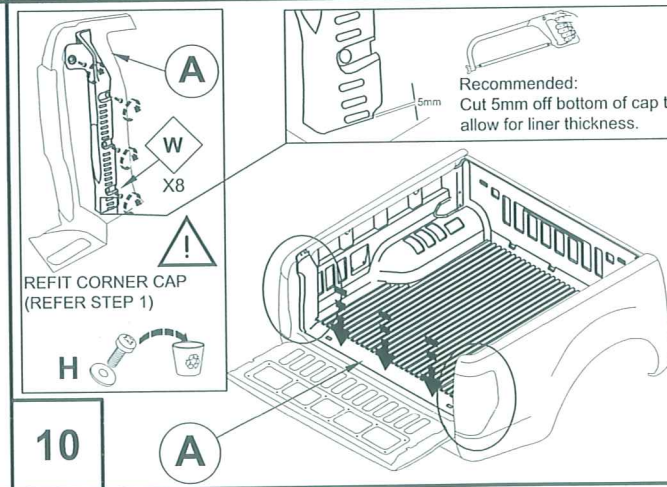
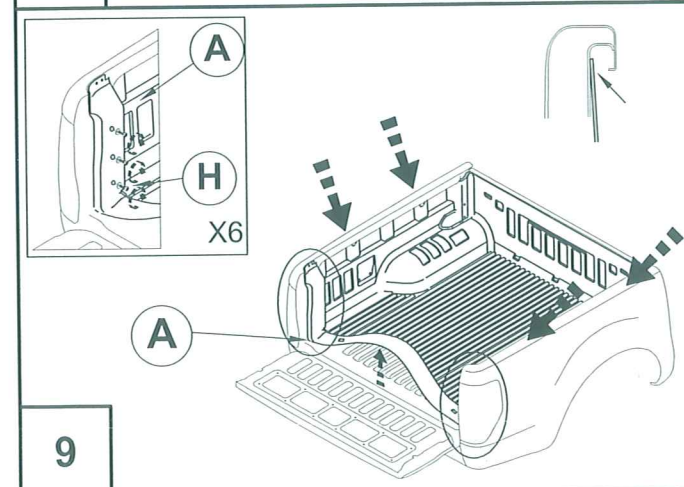
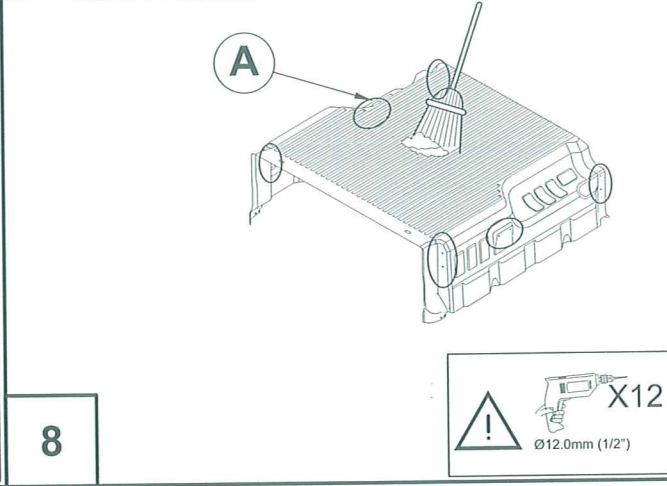
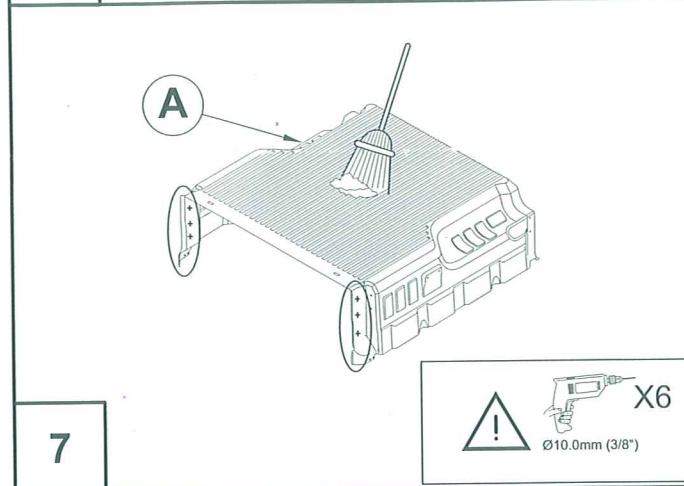
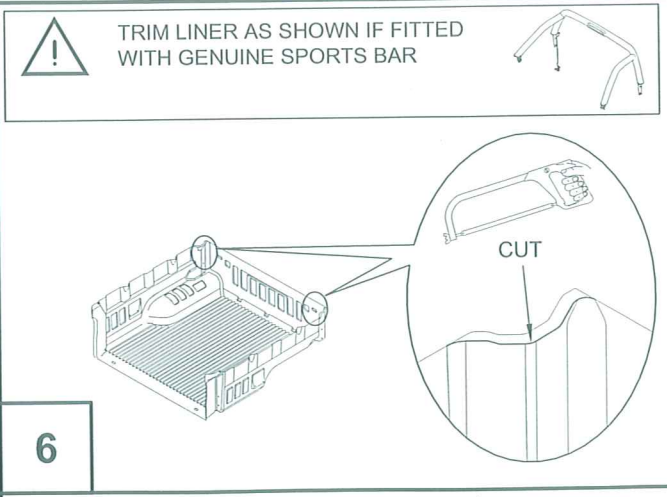
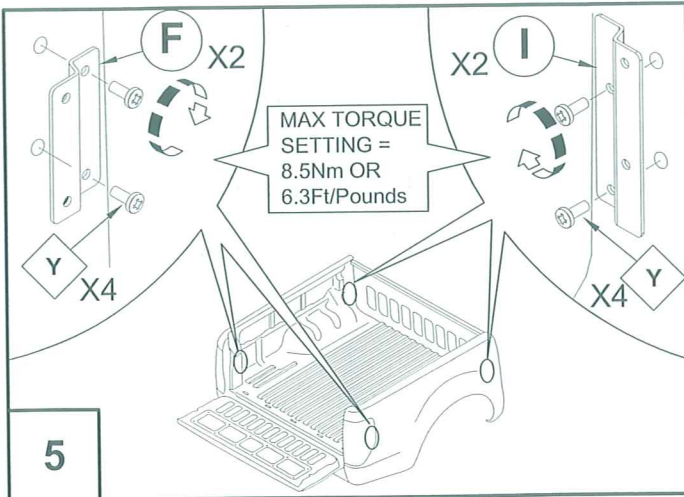
3



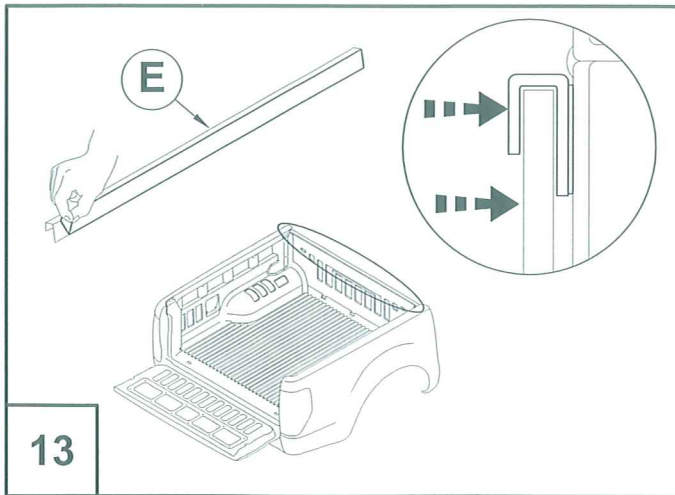
4

RUST PREVENTATIVE

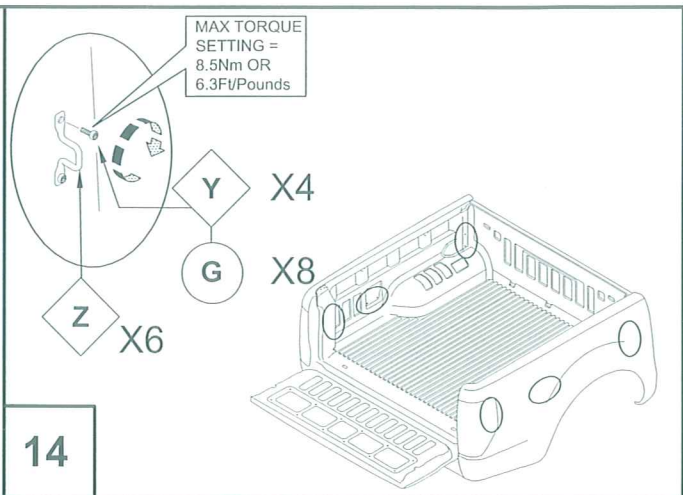
Fitting Kit Number	Manufacturer	Model Type	Year	Stockist	Cab Size	Product	Revision	Date	Page
IDFK542	Ford	Ranger	2011	General Use	DC	UR Liner	6	16-03-12	1 of 3



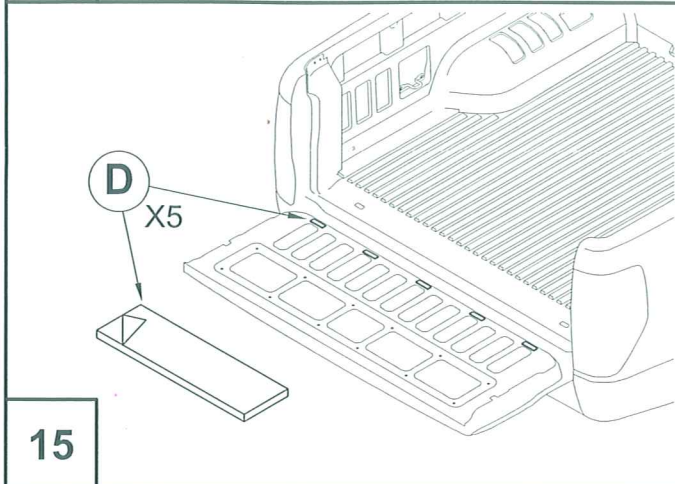
Fitting Kit Number	Manufacturer	Model Type	Year	Stockist	Cab Size	Product	Revision	Date	Page
IDFK542	Ford	Ranger	2011	General Use	DC	UR Liner	6	16-03-12	2 of 3



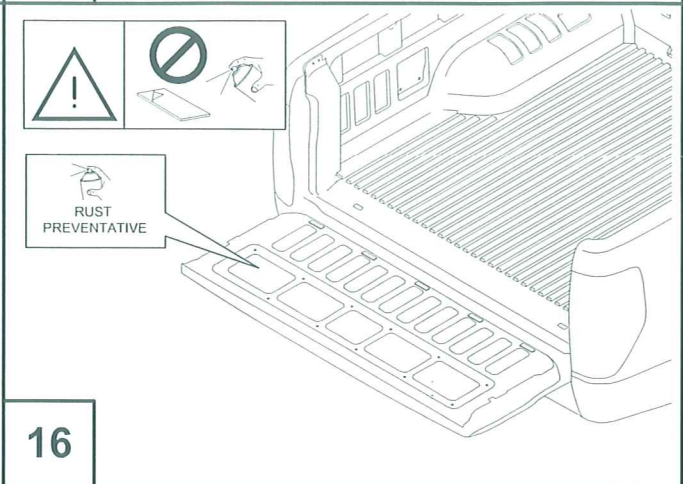
13



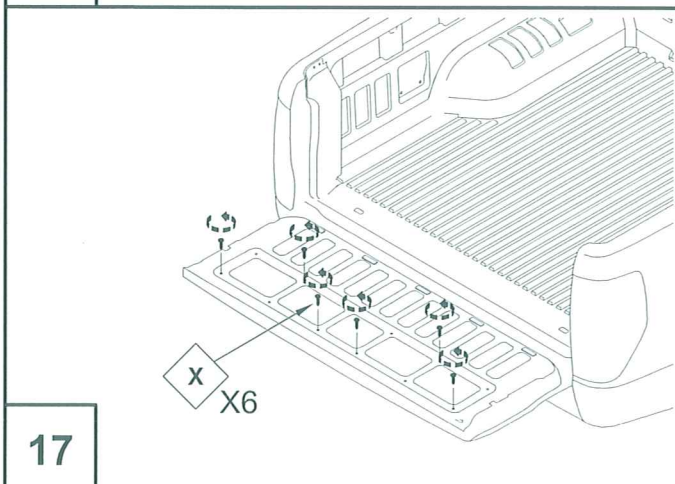
14



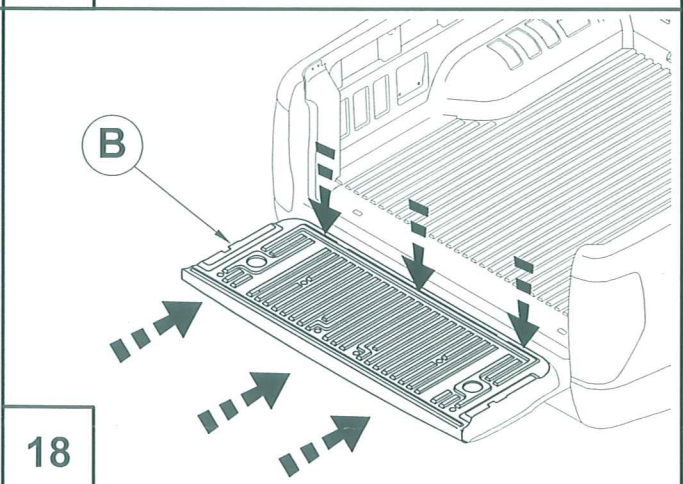
15



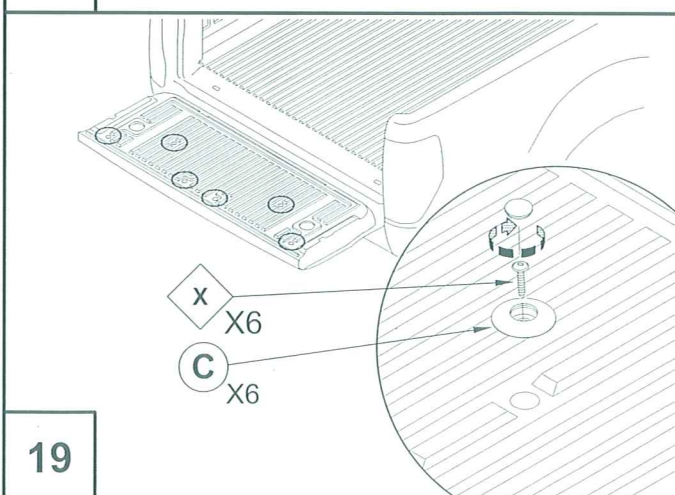
16



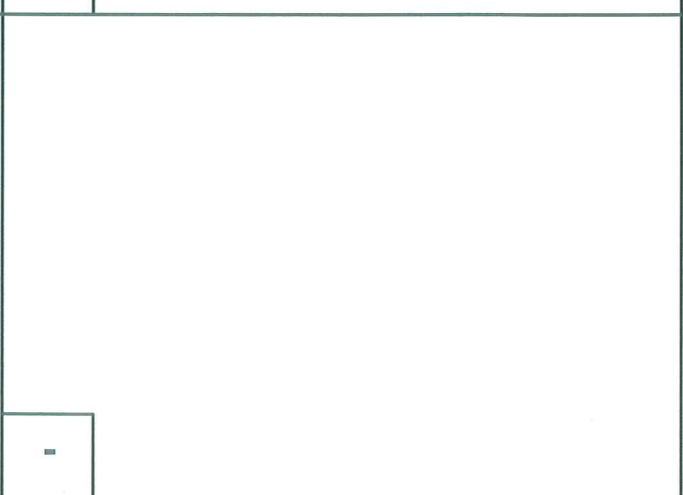
17



18



19



-

Fitting Kit Number	Manufacturer	Model Type	Year	Stockist	Cab Size	Product	Revision	Date	Page
IDFK542	Ford	Ranger	2011	General Use	DC	UR Liner	6	16-03-12	3 of 3