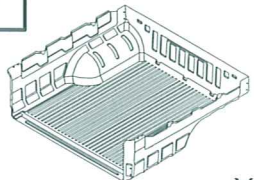
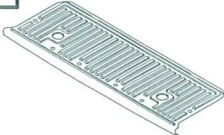

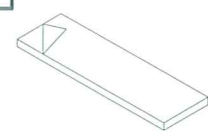

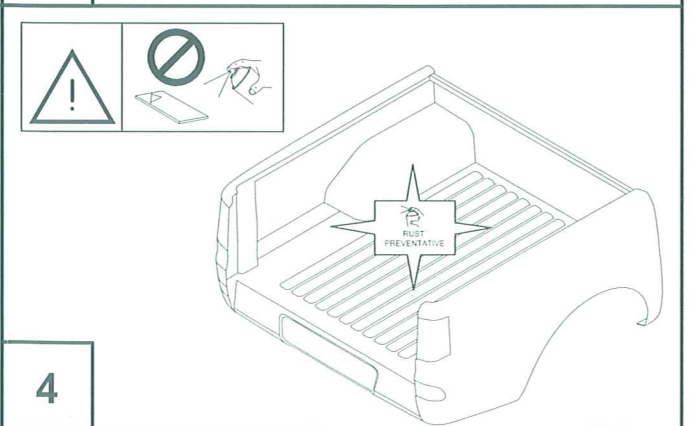
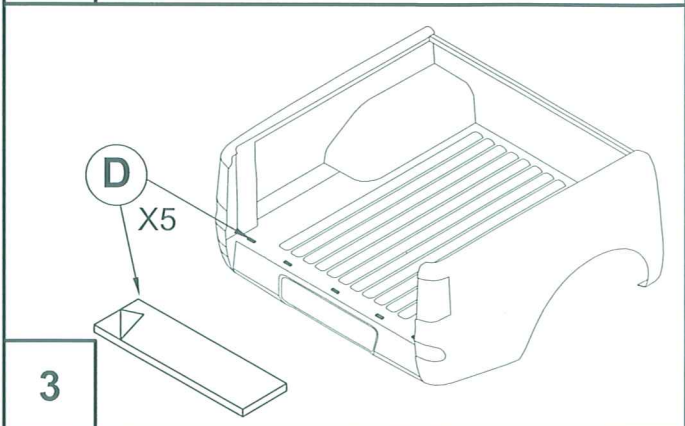
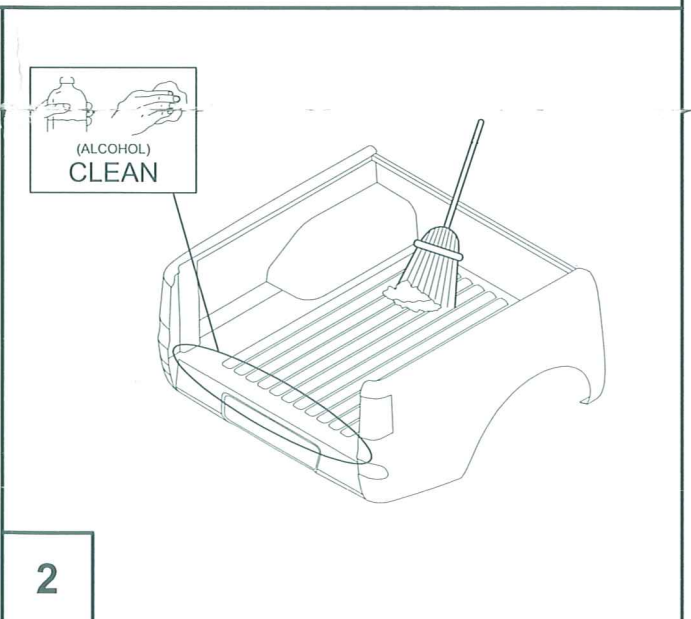
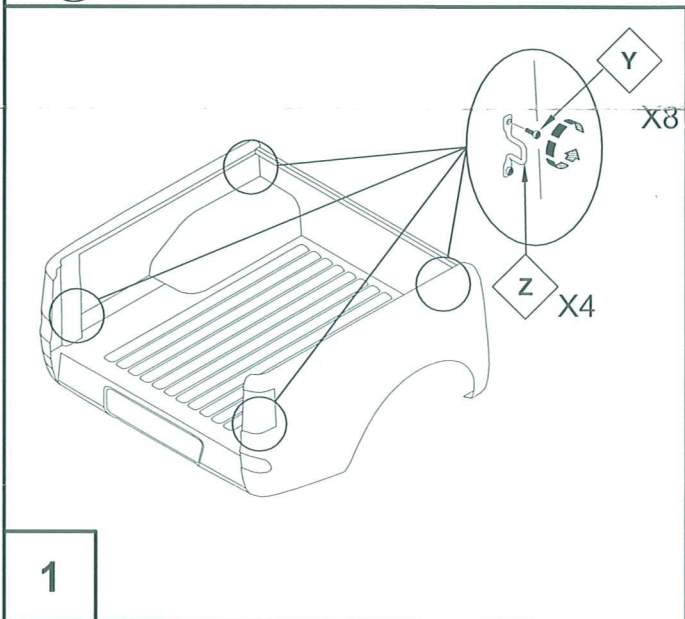




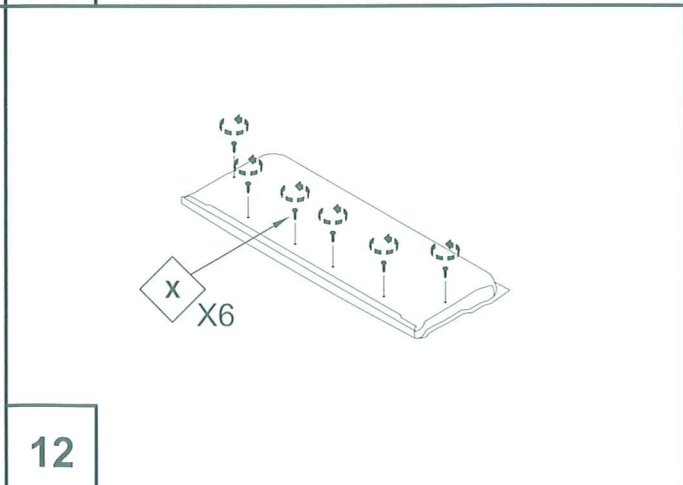
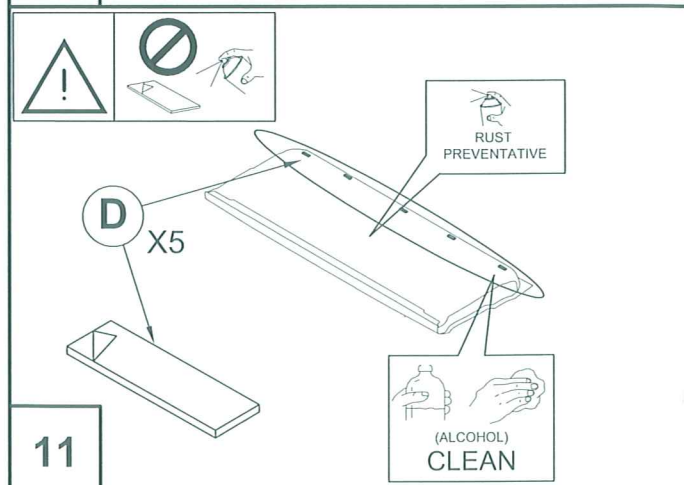
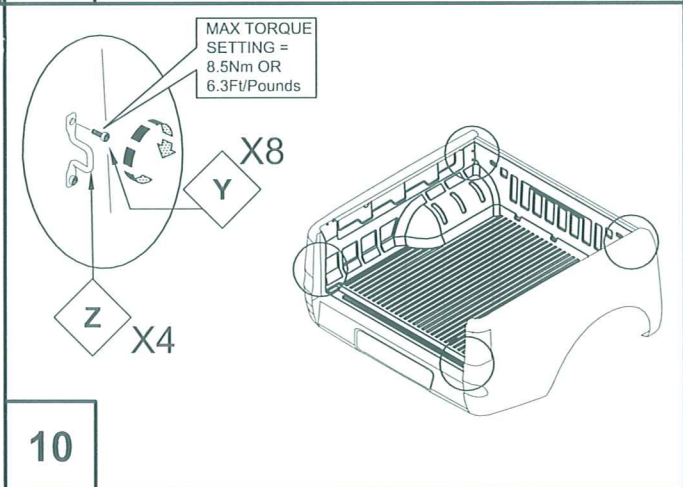
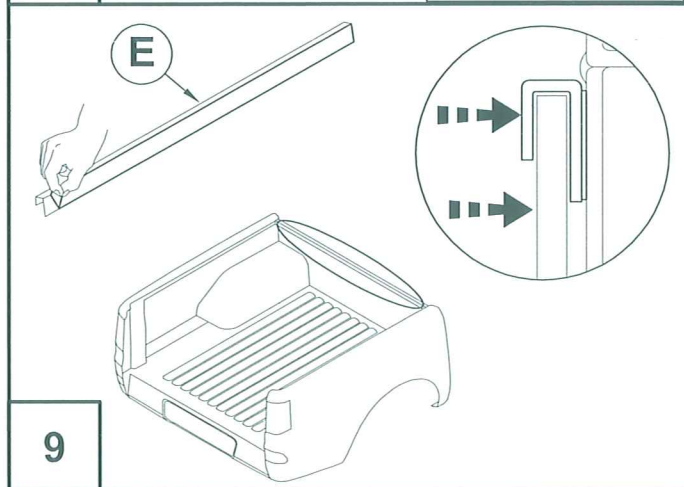
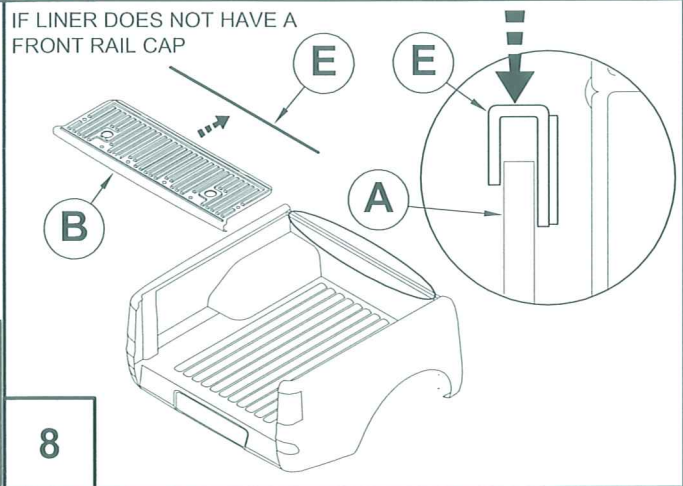
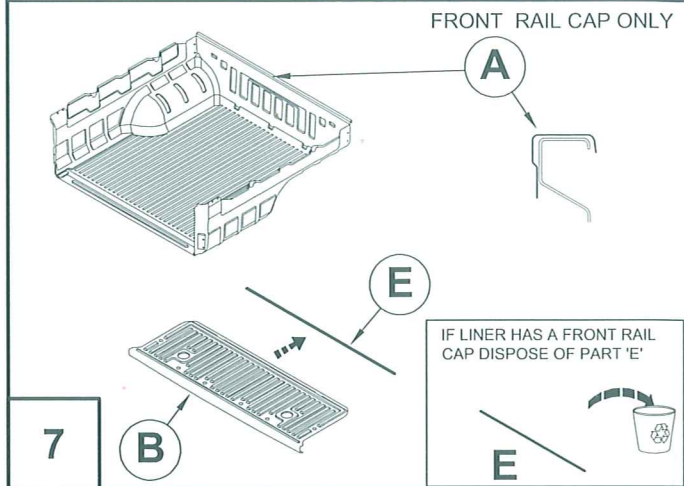
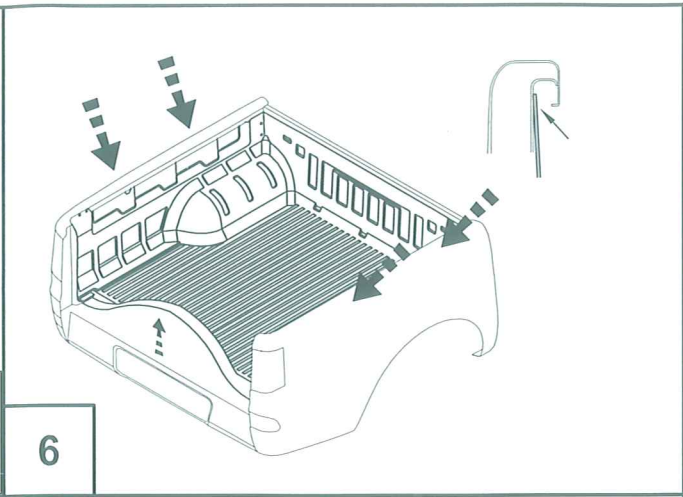
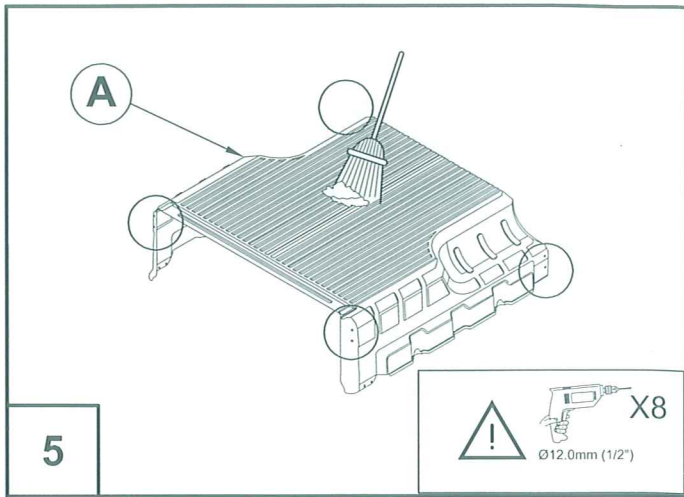
INSTALLATION INSTRUCTIONS (K564)
Under Rail Liner
Isuzu-D Max-2012-Double Cab

| | | | |
|---|---|--|--|
| <p>A</p>  <p>X1</p> | <p>B</p>  <p>X1</p> | <p>C</p>  <p>X6</p> | <p>D</p>  <p>X10</p> |
| <p>E</p>  <p>X1</p> <p>⚠ This part may not be included for some markets</p> | - | - | - |

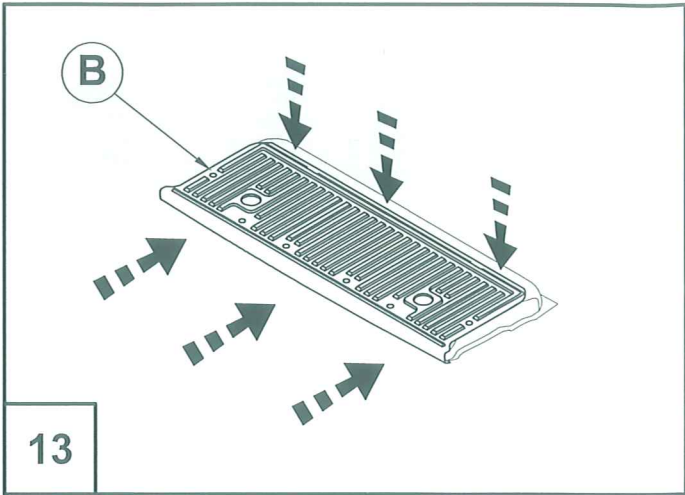
◇ = EXISTING PART
○ = NEW PART



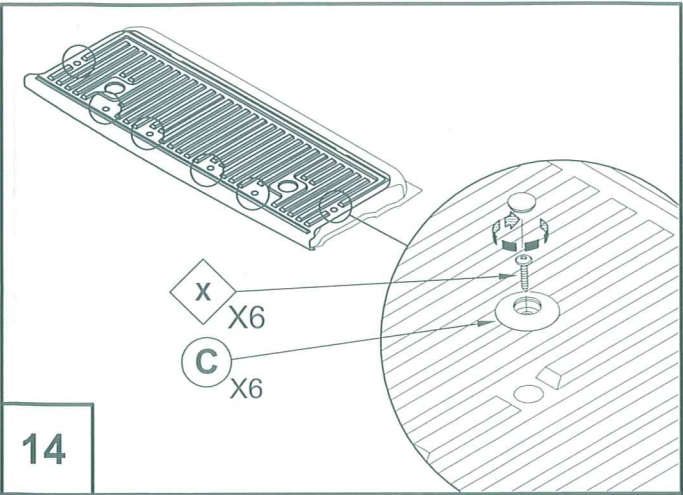
| Fitting Kit Number | Manufacturer | Model Type | Year | Stockist | Cab Size | Product | Revision | Date | Page |
|--------------------|--------------|------------|------|-------------|----------|----------|----------|----------|--------|
| IDFK564 | Isuzu | D Max | 2012 | General Use | DC | UR Liner | 1 | 02-05-12 | 1 of 3 |



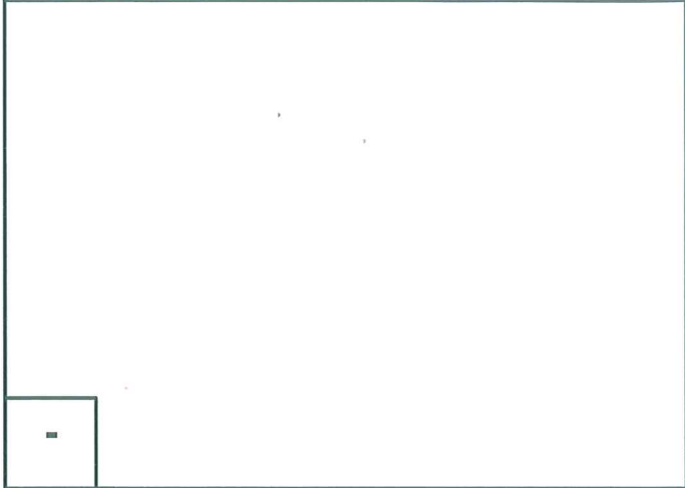
| Fitting Kit Number | Manufacturer | Model Type | Year | Stockist | Cab Size | Product | Revision | Date | Page |
|--------------------|--------------|------------|------|-------------|----------|----------|----------|----------|--------|
| IDFK564 | Isuzu | D Max | 2012 | General Use | DC | UR Liner | 1 | 02-05-12 | 2 of 3 |



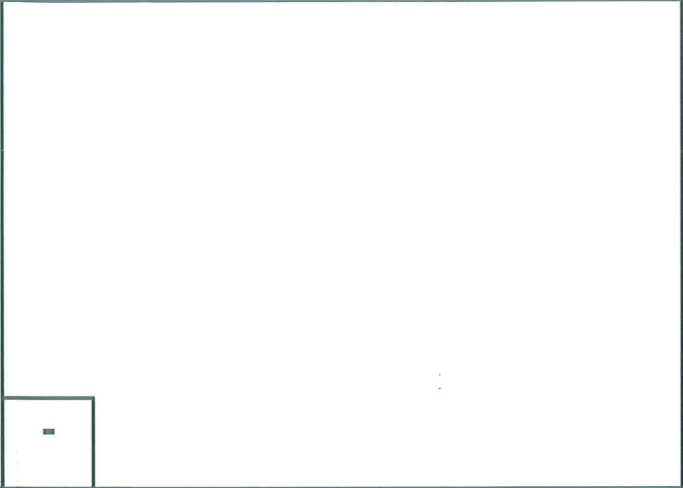
13



14



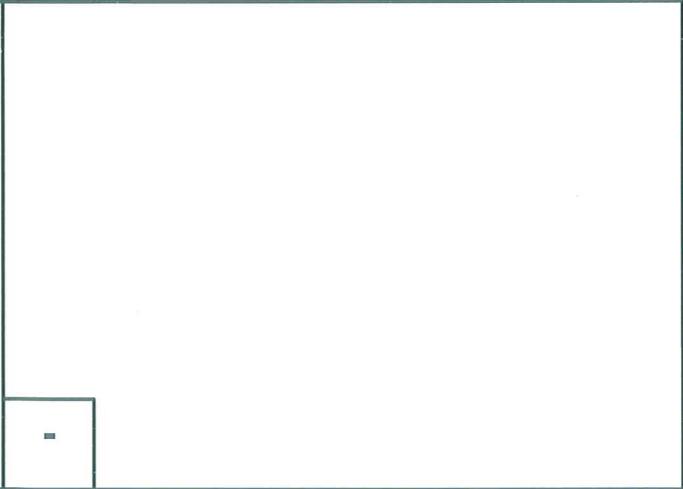
-



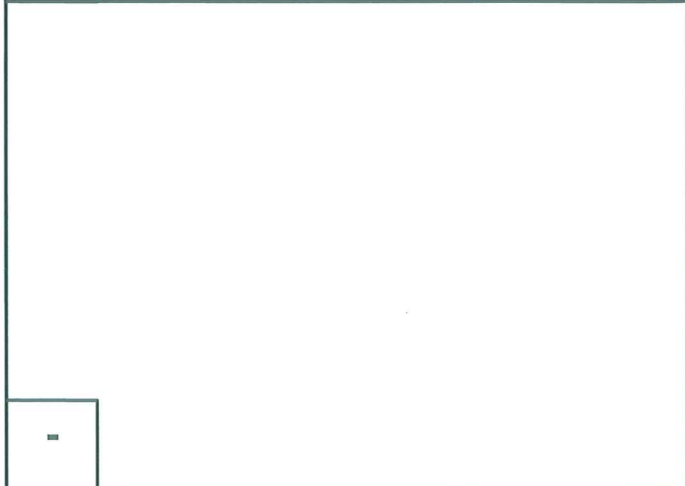
-



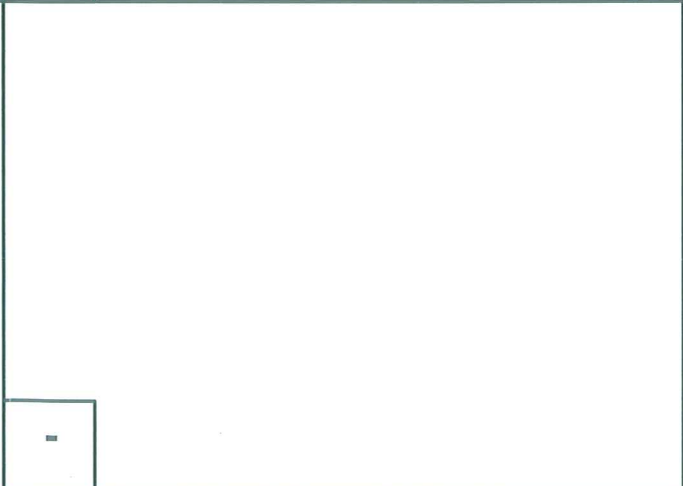
-



-



-



-

| Fitting Kit Number | Manufacturer | Model Type | Year | Stockist | Cab Size | Product | Revision | Date | Page |
|--------------------|--------------|------------|------|-------------|----------|----------|----------|----------|--------|
| IDFK564 | Isuzu | D Max | 2012 | General Use | DC | UR Liner | 1 | 02-05-12 | 3 of 3 |