

Mountain Top® Roll

Installation manual



DOWNLOAD PDF



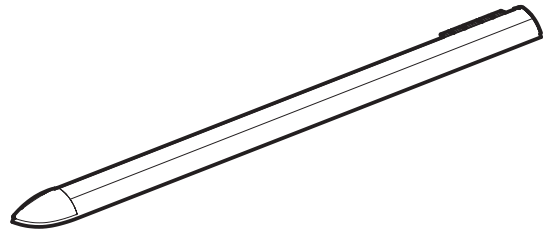
Parts

A



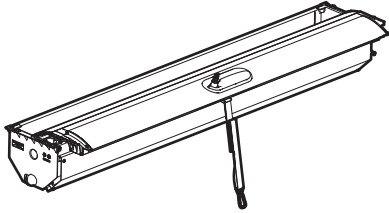
x 1

B



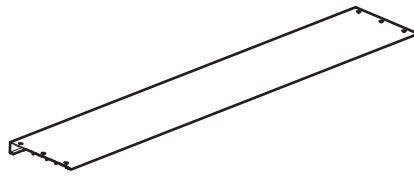
x 1

C



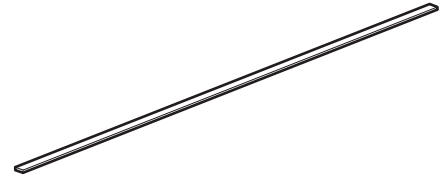
x 1

D



x 1

E

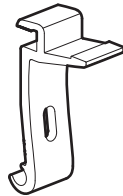


x 1



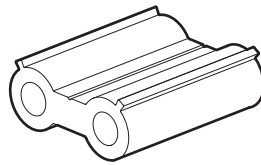
Kit

F



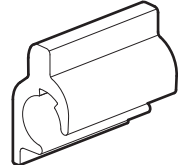
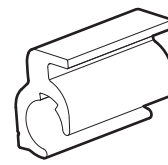
x 6

G



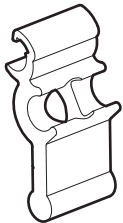
x 6

H



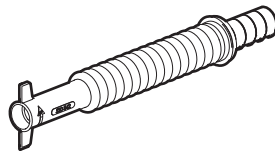
x 6

I



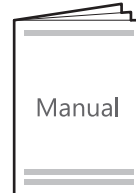
x 6

J



x 2

K



x 1

L

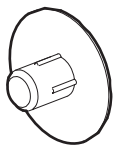


x 1



Kit

M



x 24

N



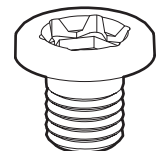
x 6

O



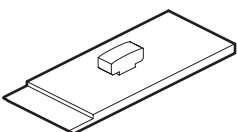
x 6

P



x 6

Q



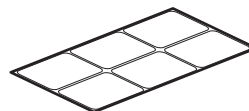
x 2

R



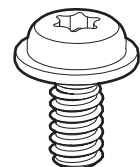
x 2

S



x 1

T

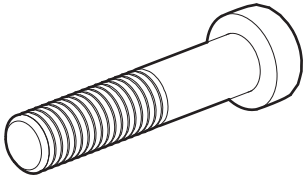


x 4



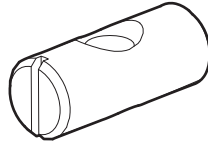
Kit # 824 087

U



x 6

V



x 6

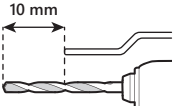
W



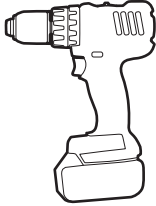
x 6



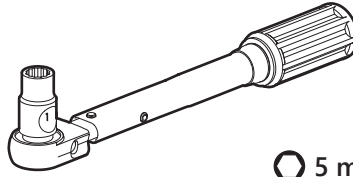
Tools and materials needed



Ø 24 mm



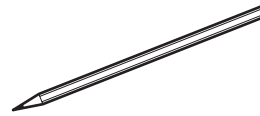
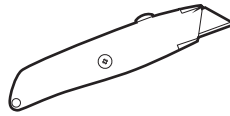
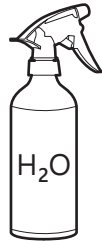
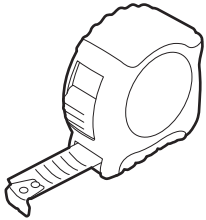
1 - 25 Nm



○ 5 mm
★ T15

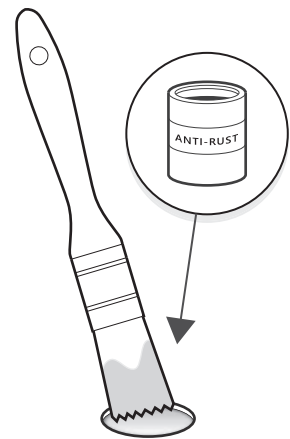
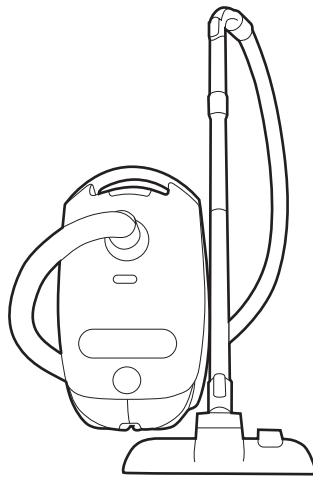
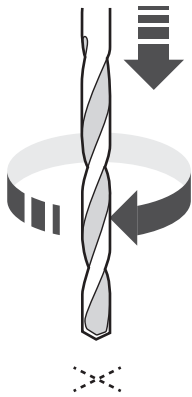


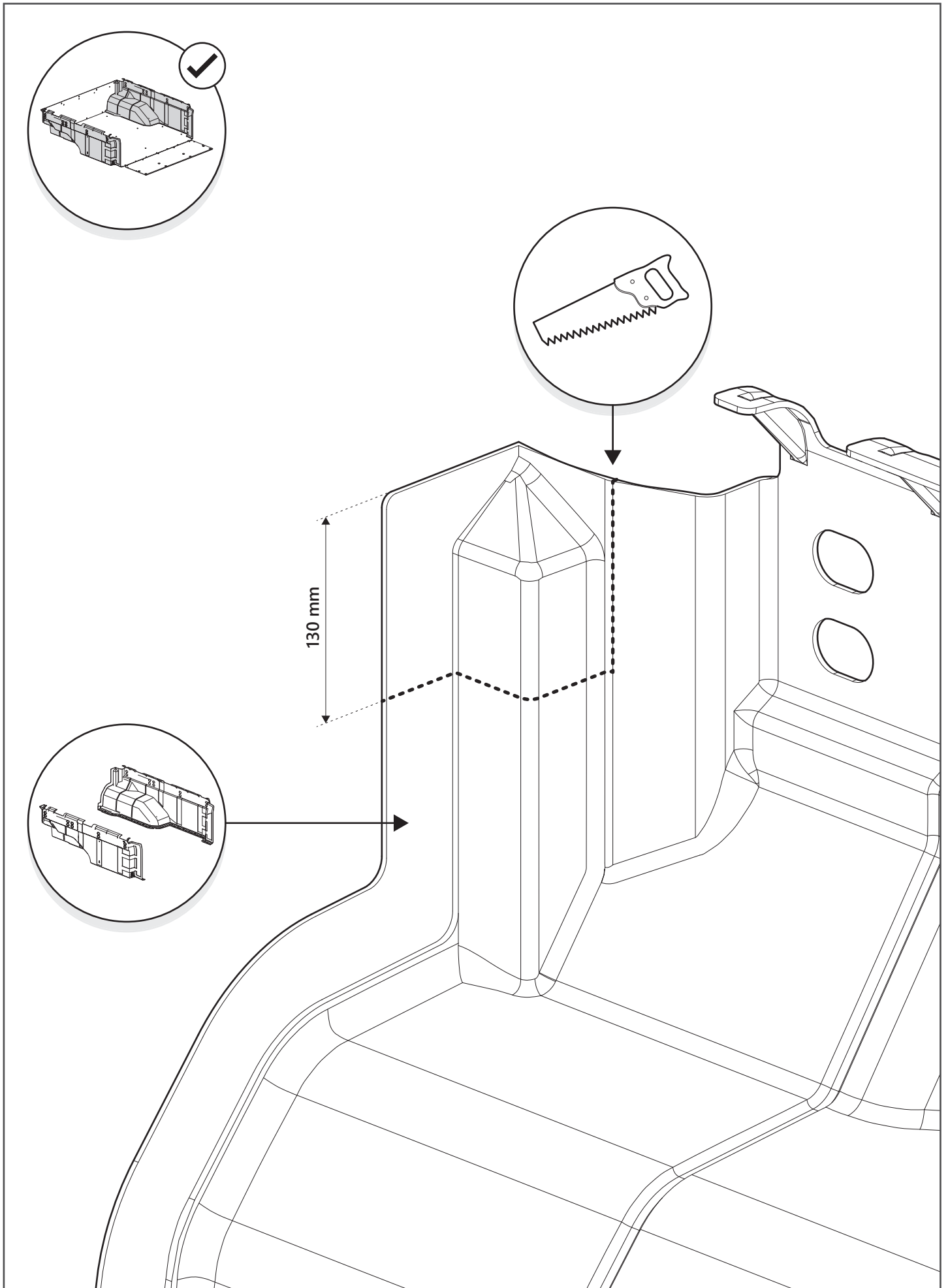
Rust protection
Rostschutzmittel
Anti-rouille
Anti roest

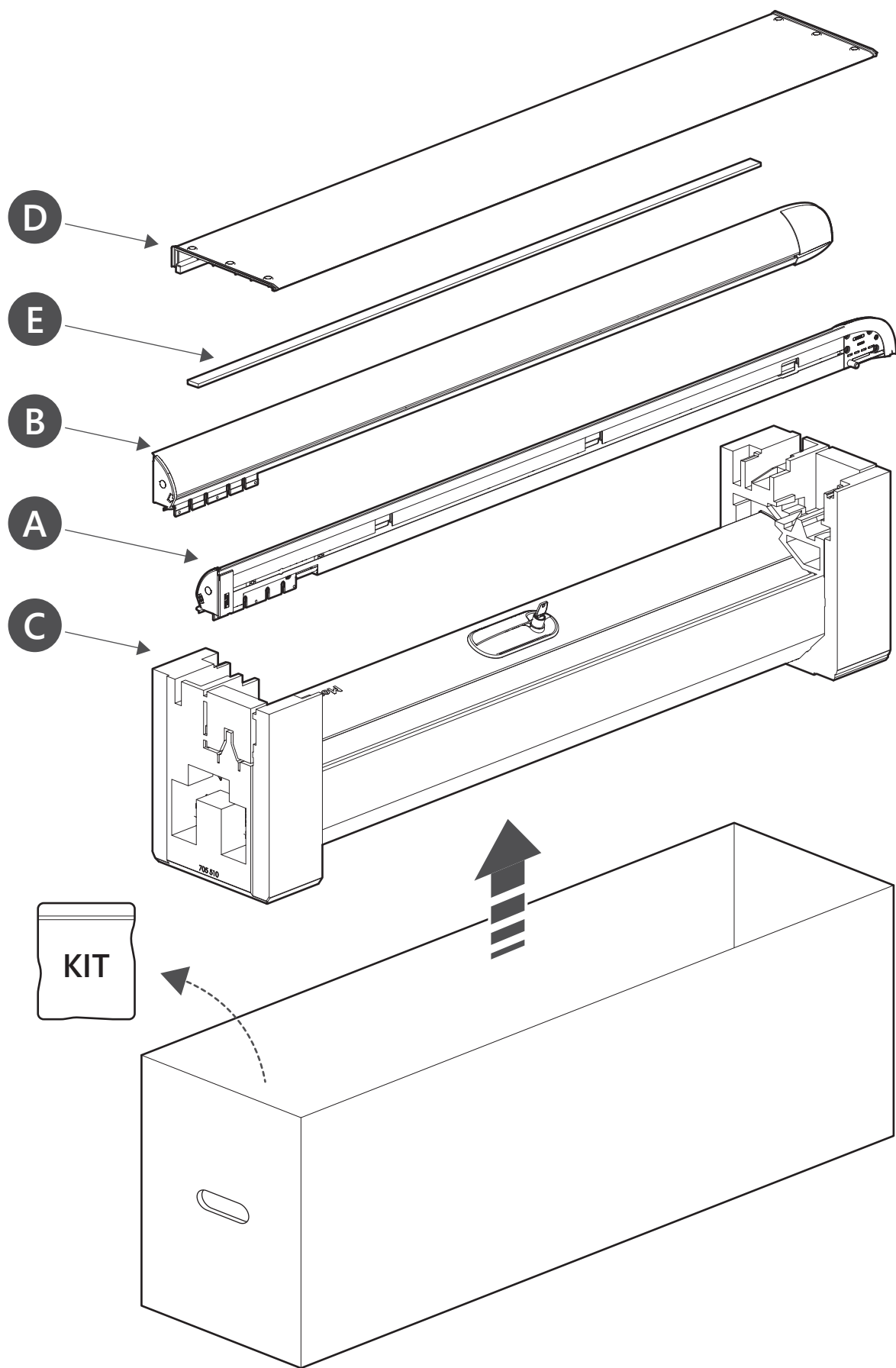


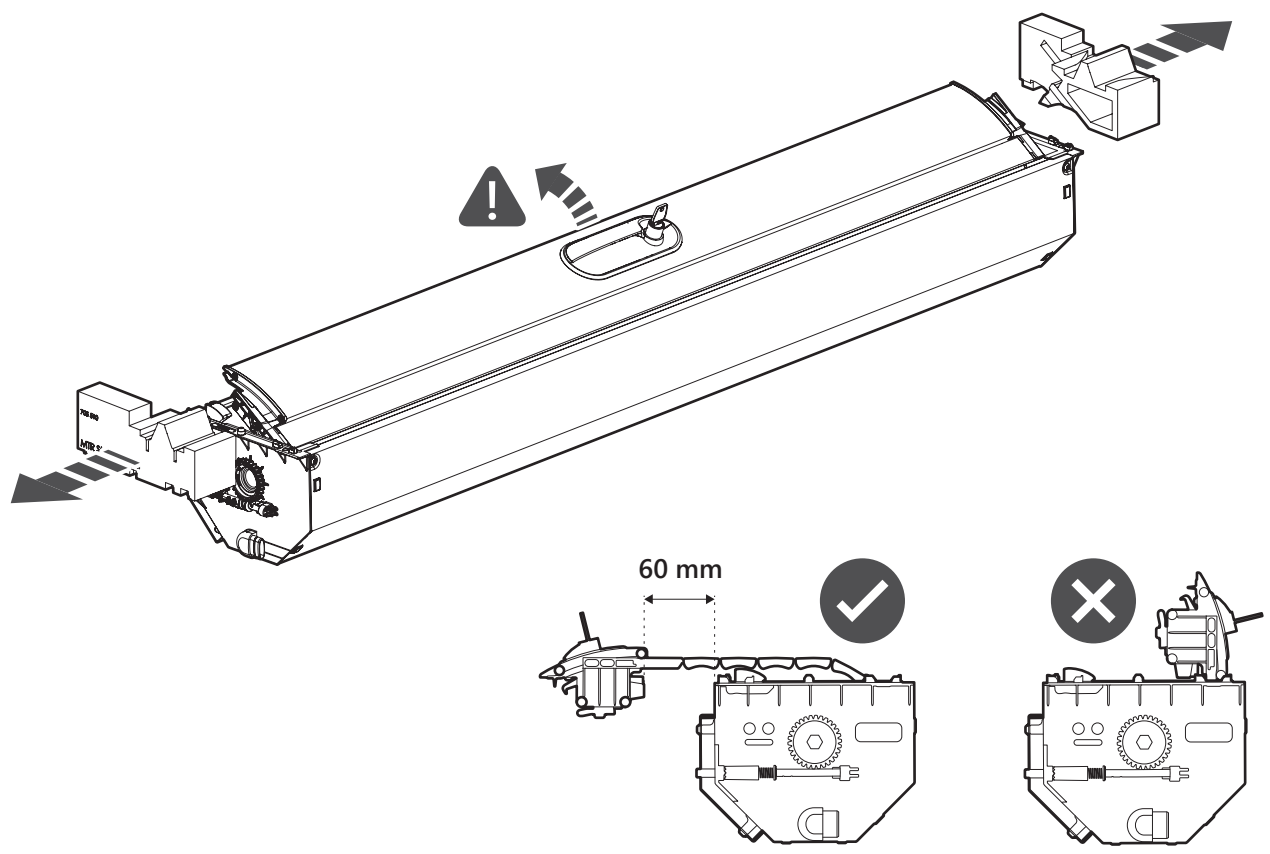
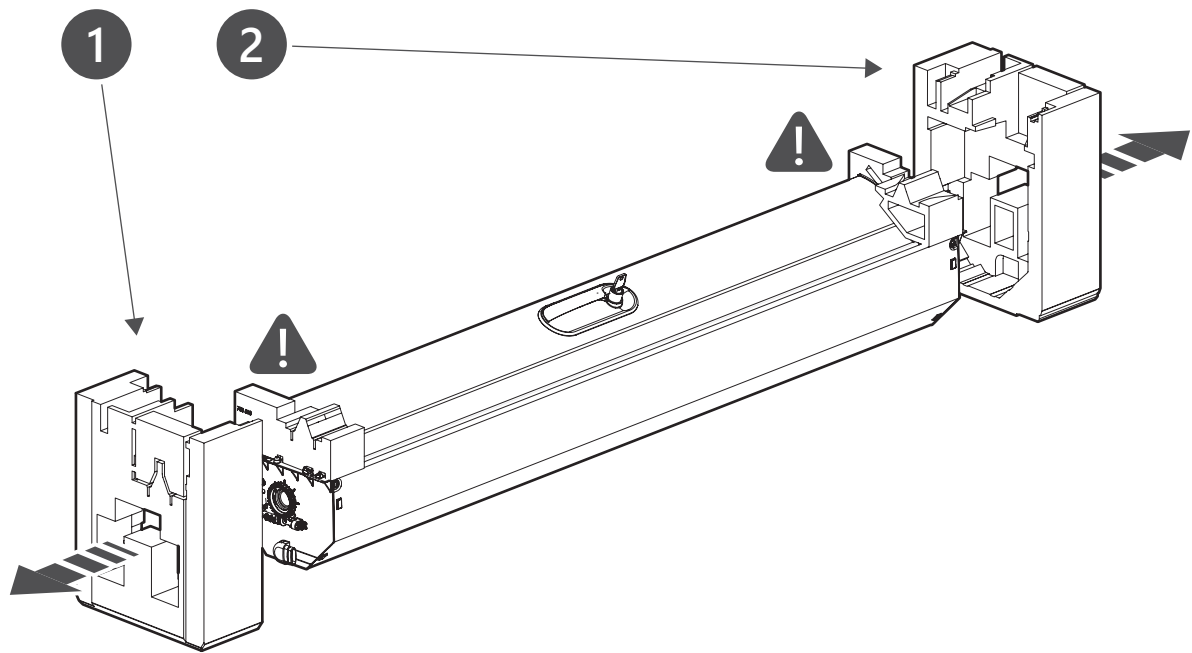
1

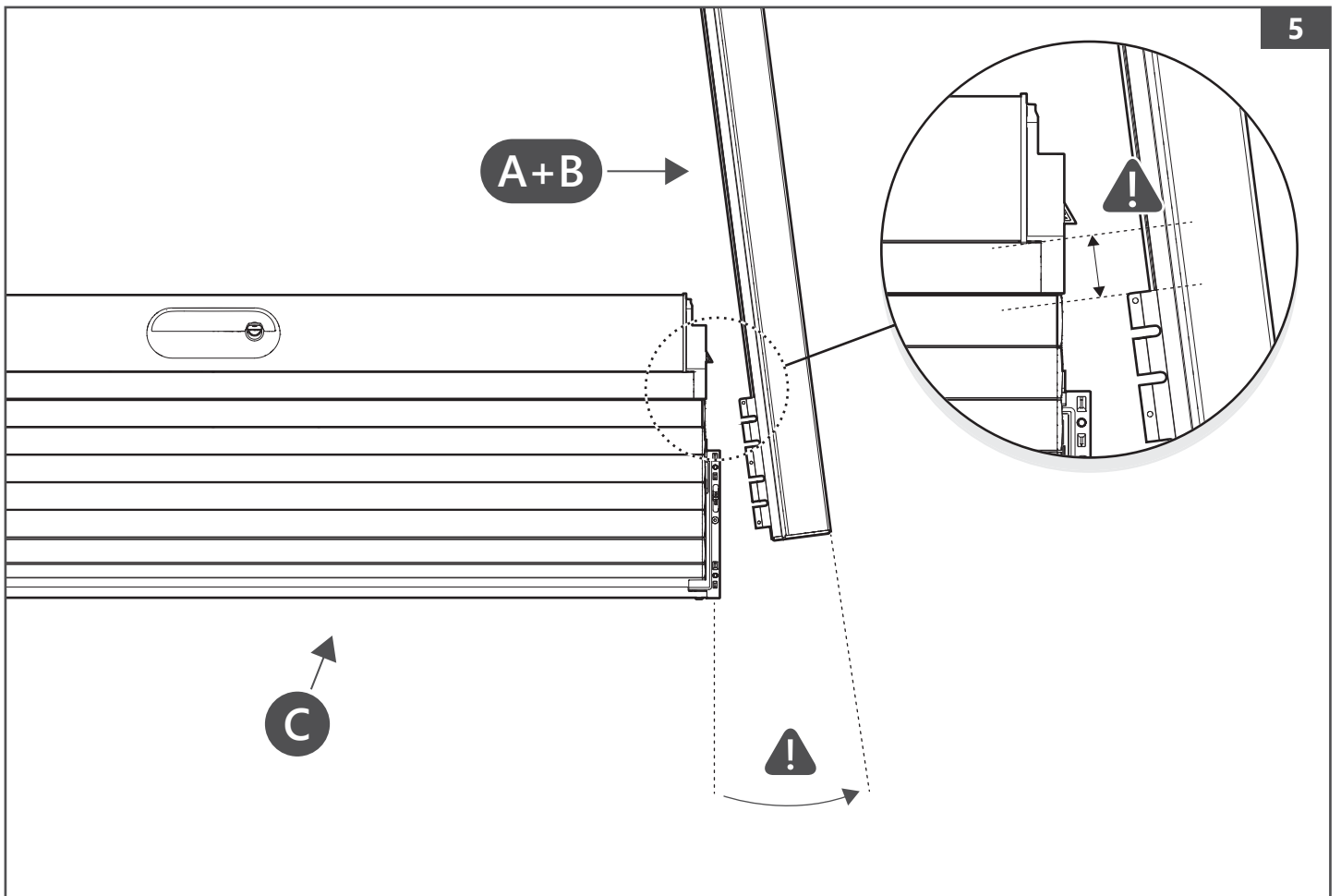
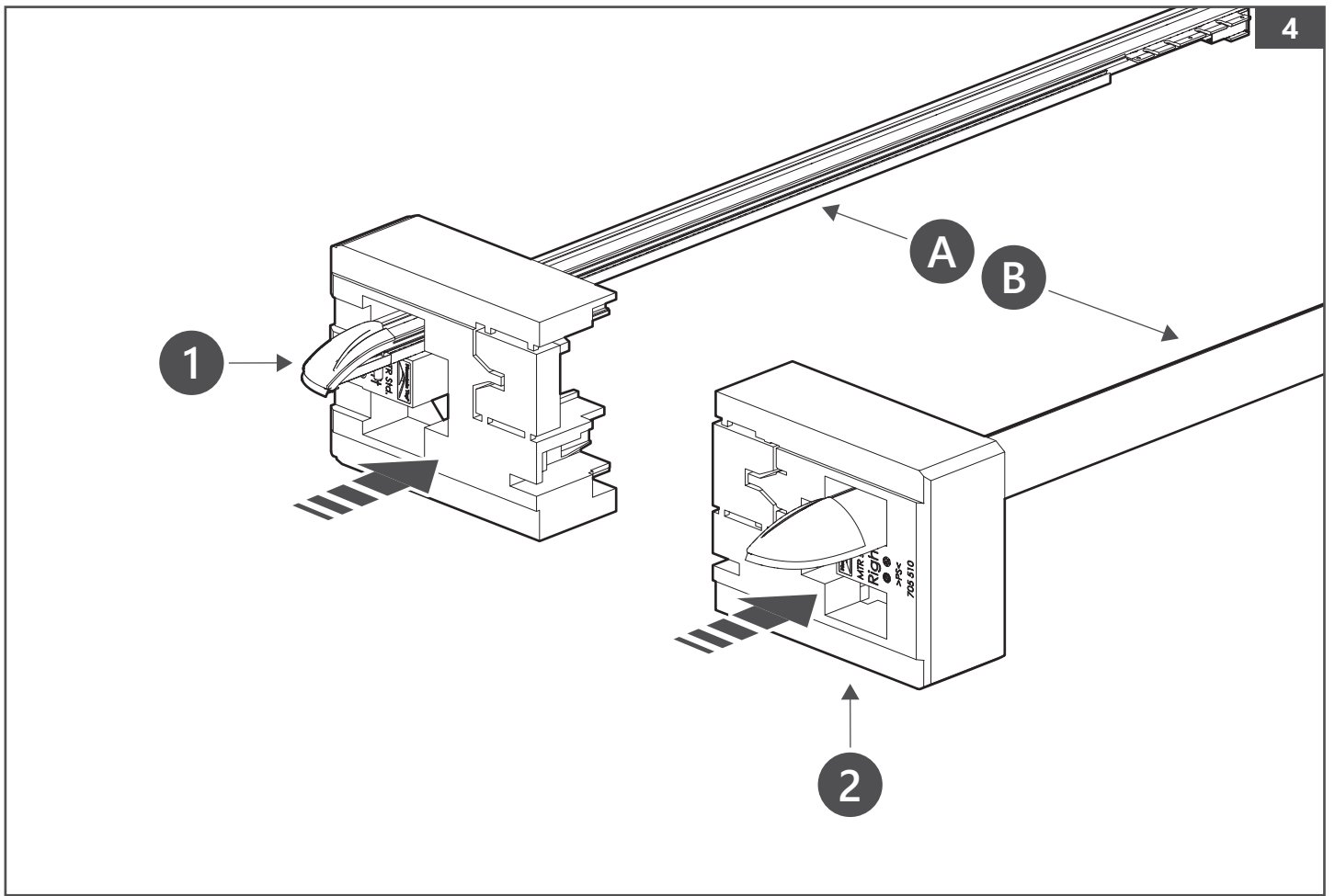
Applying rust protection

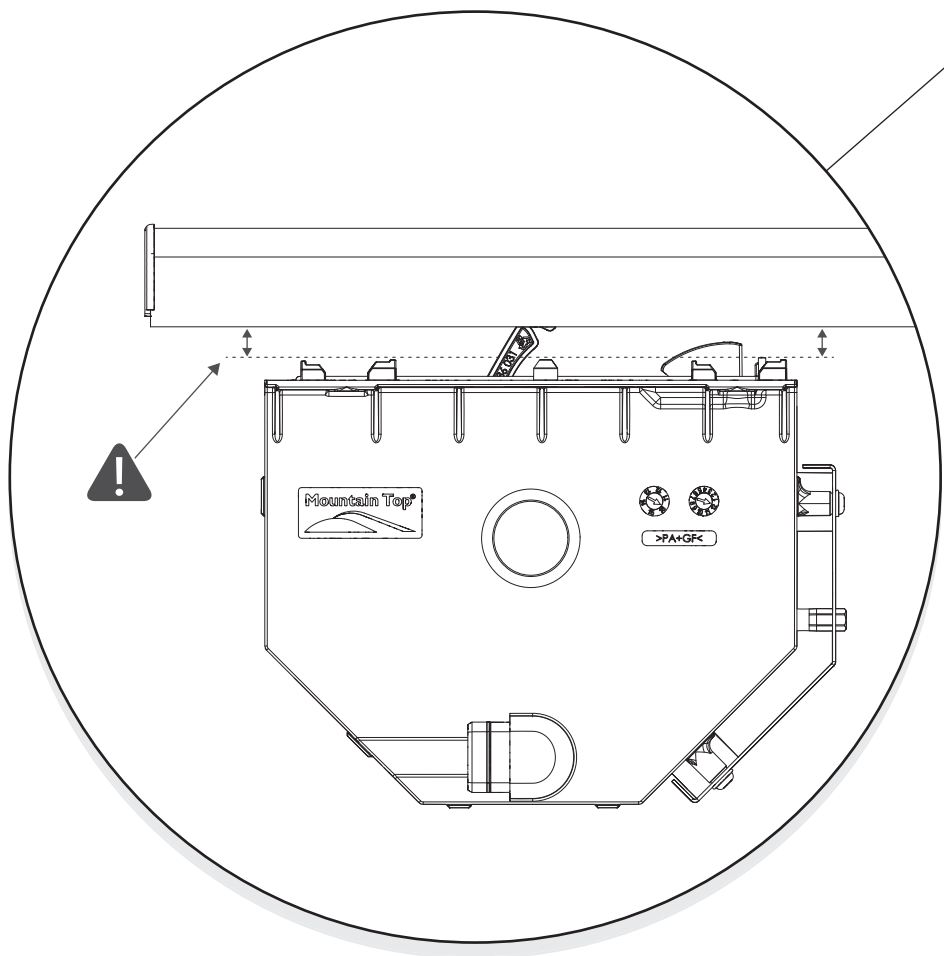
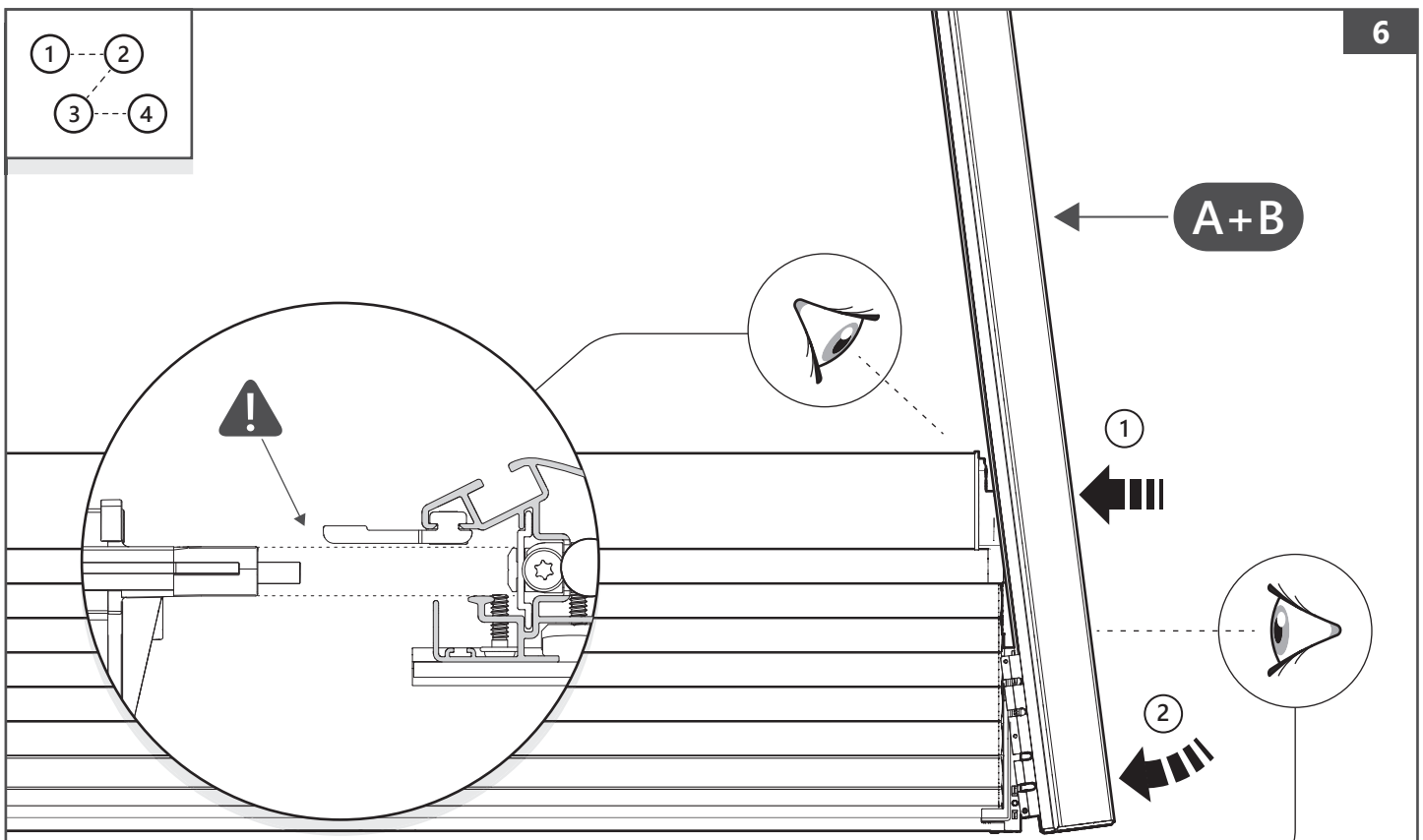
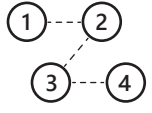


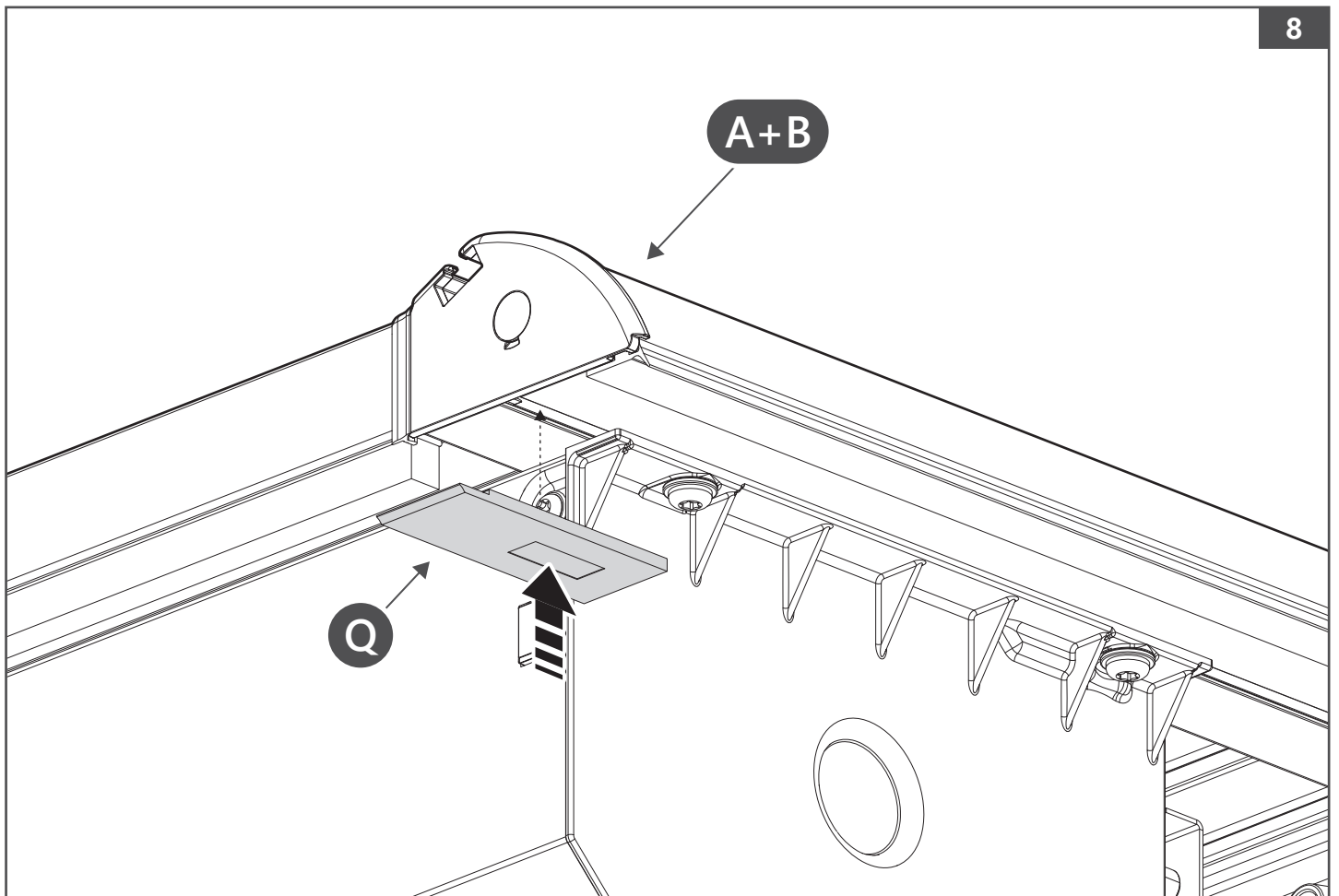
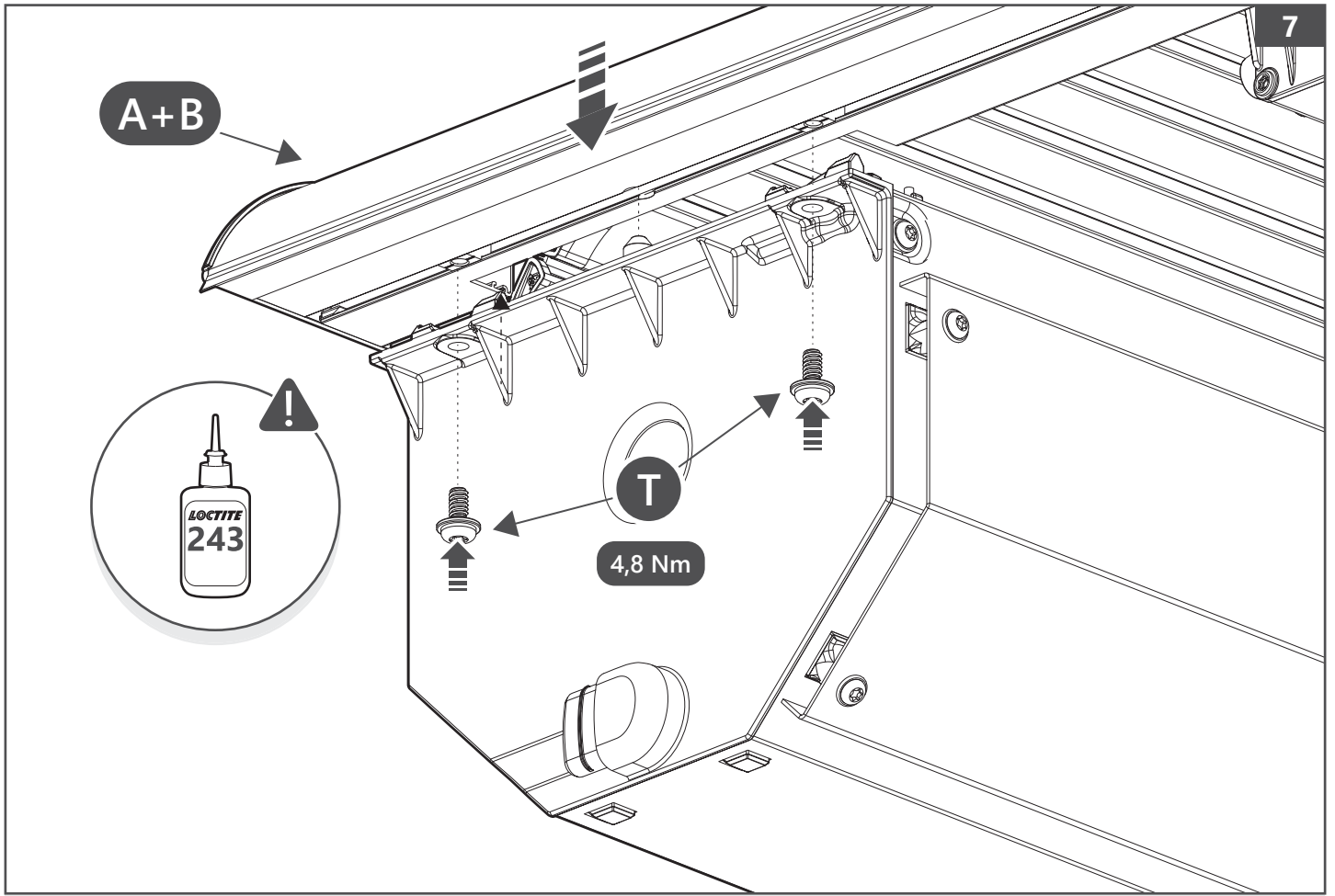


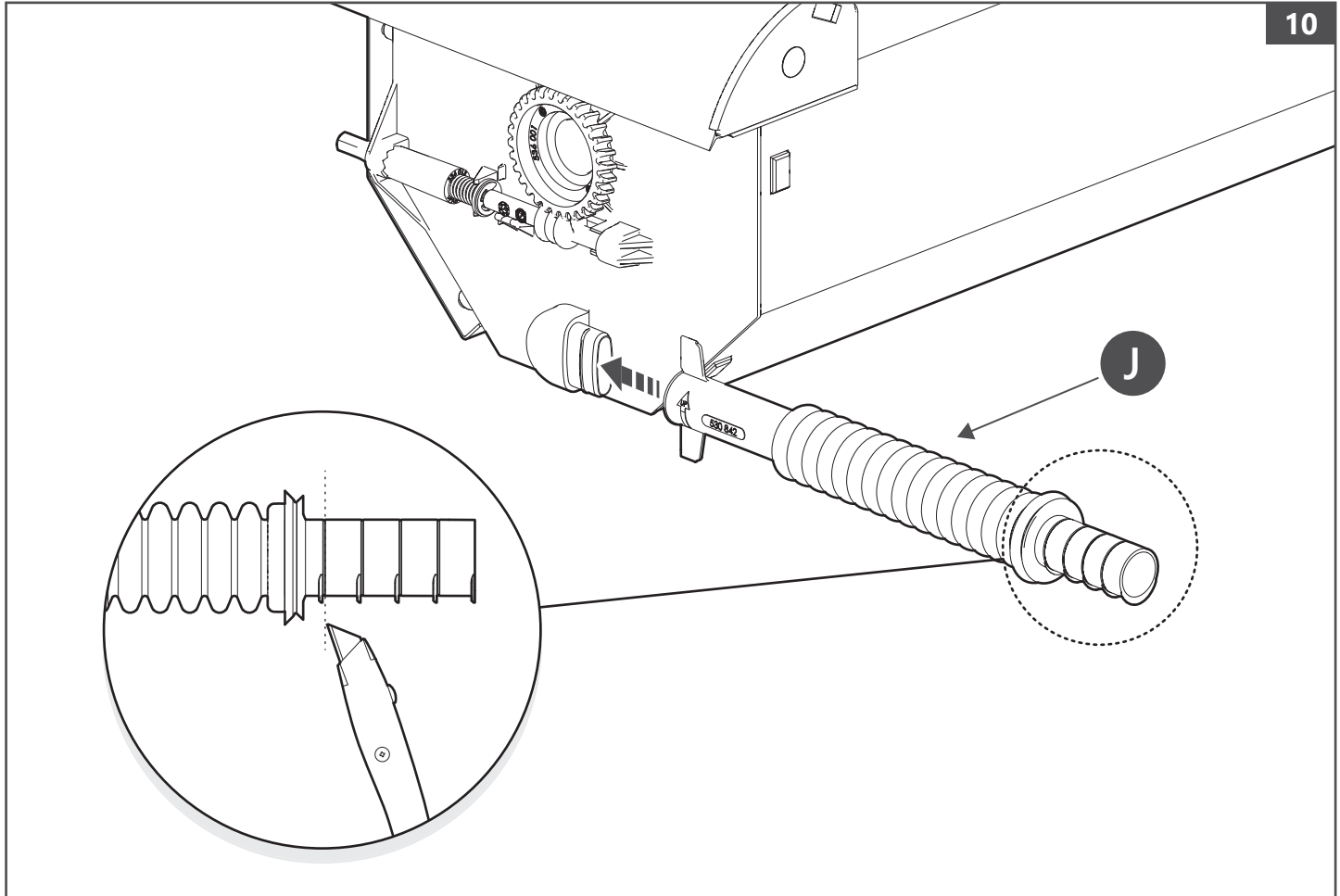
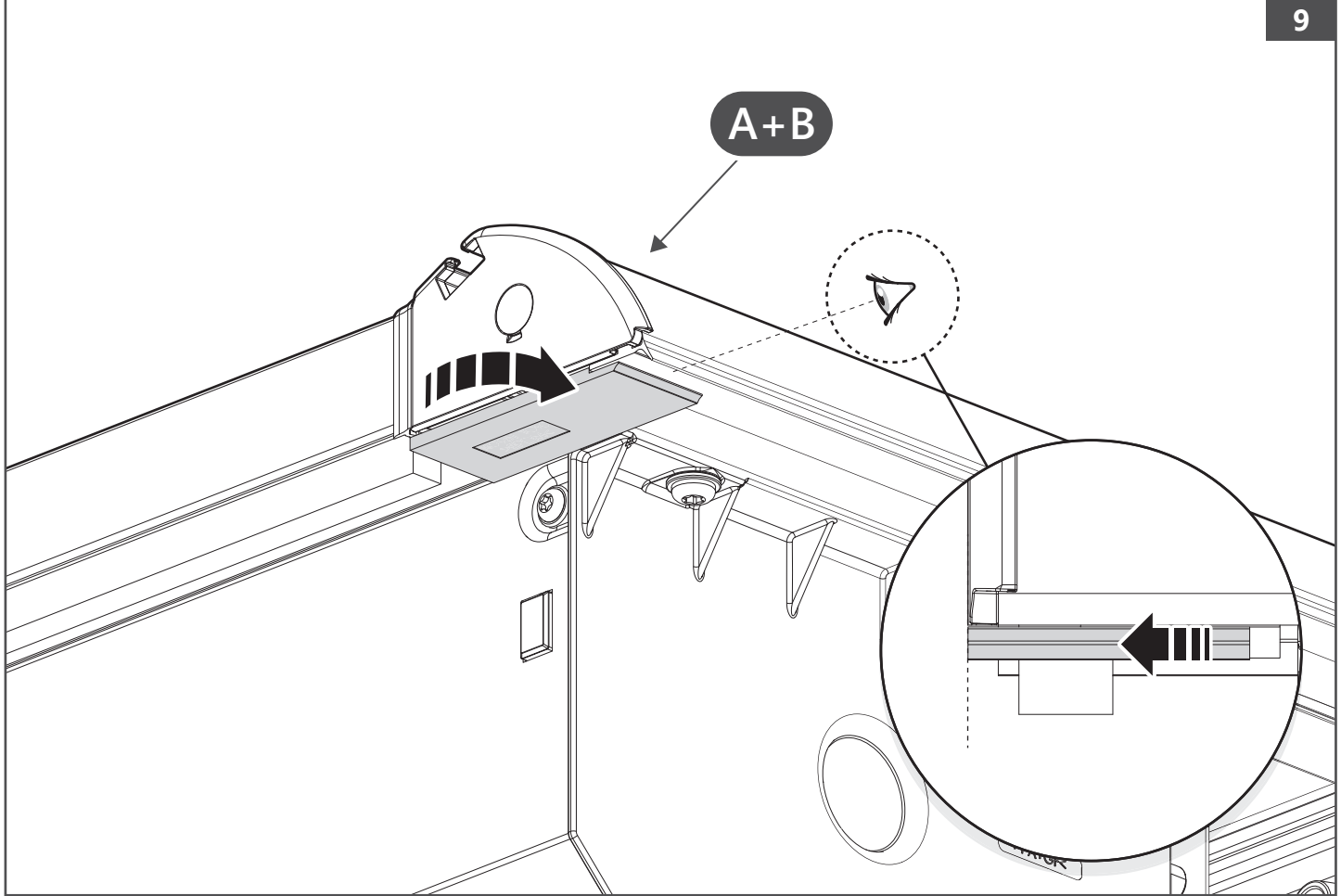


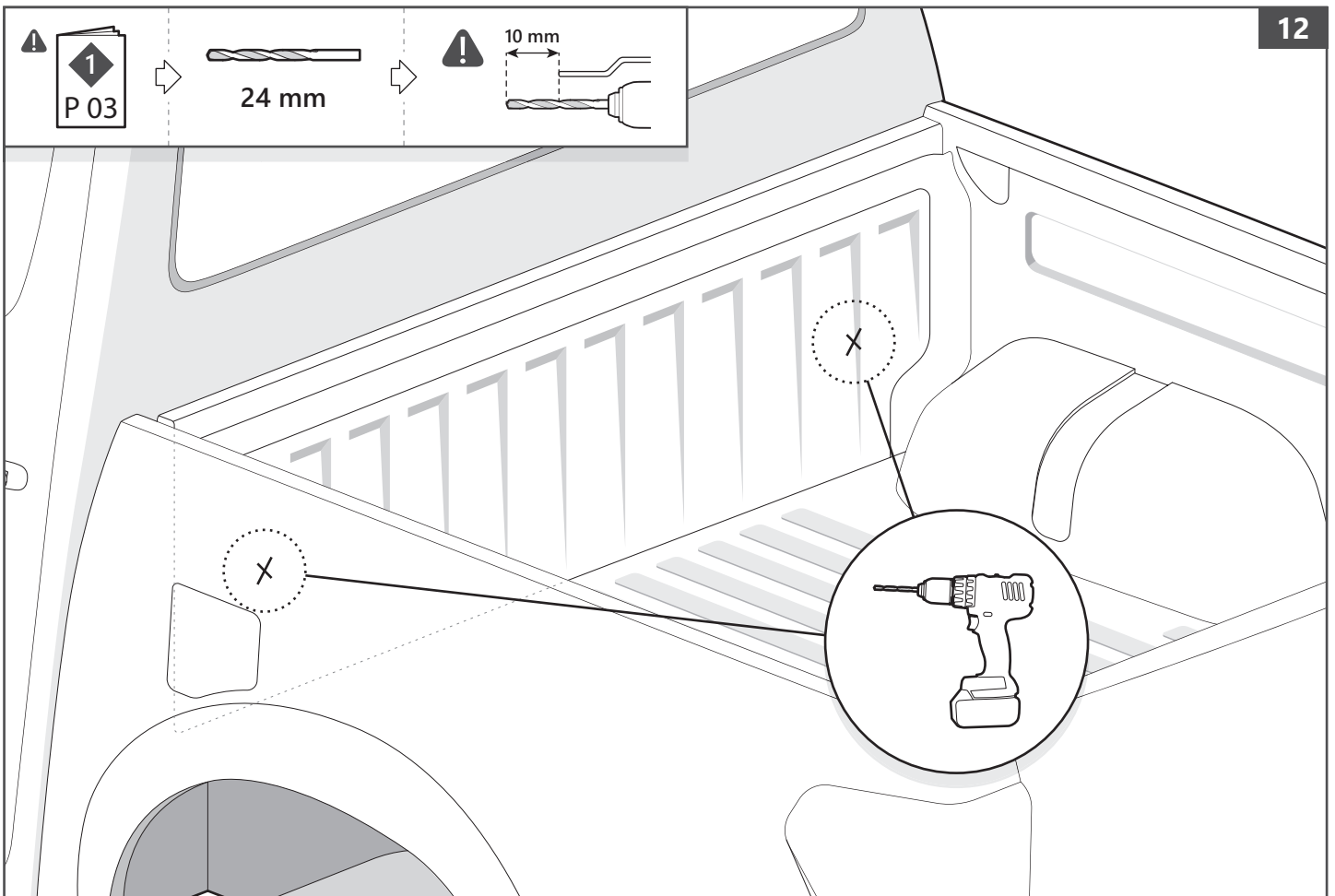
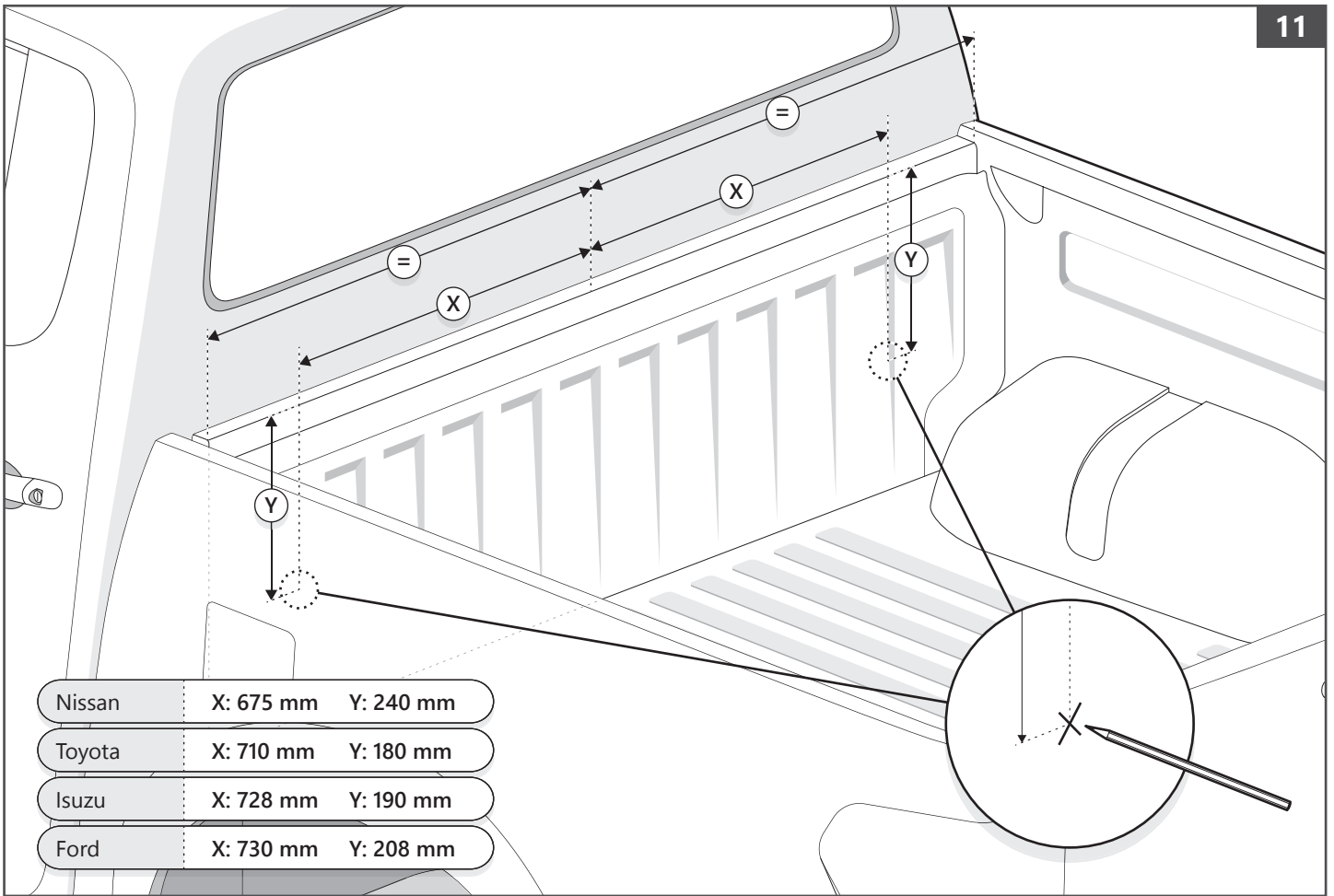


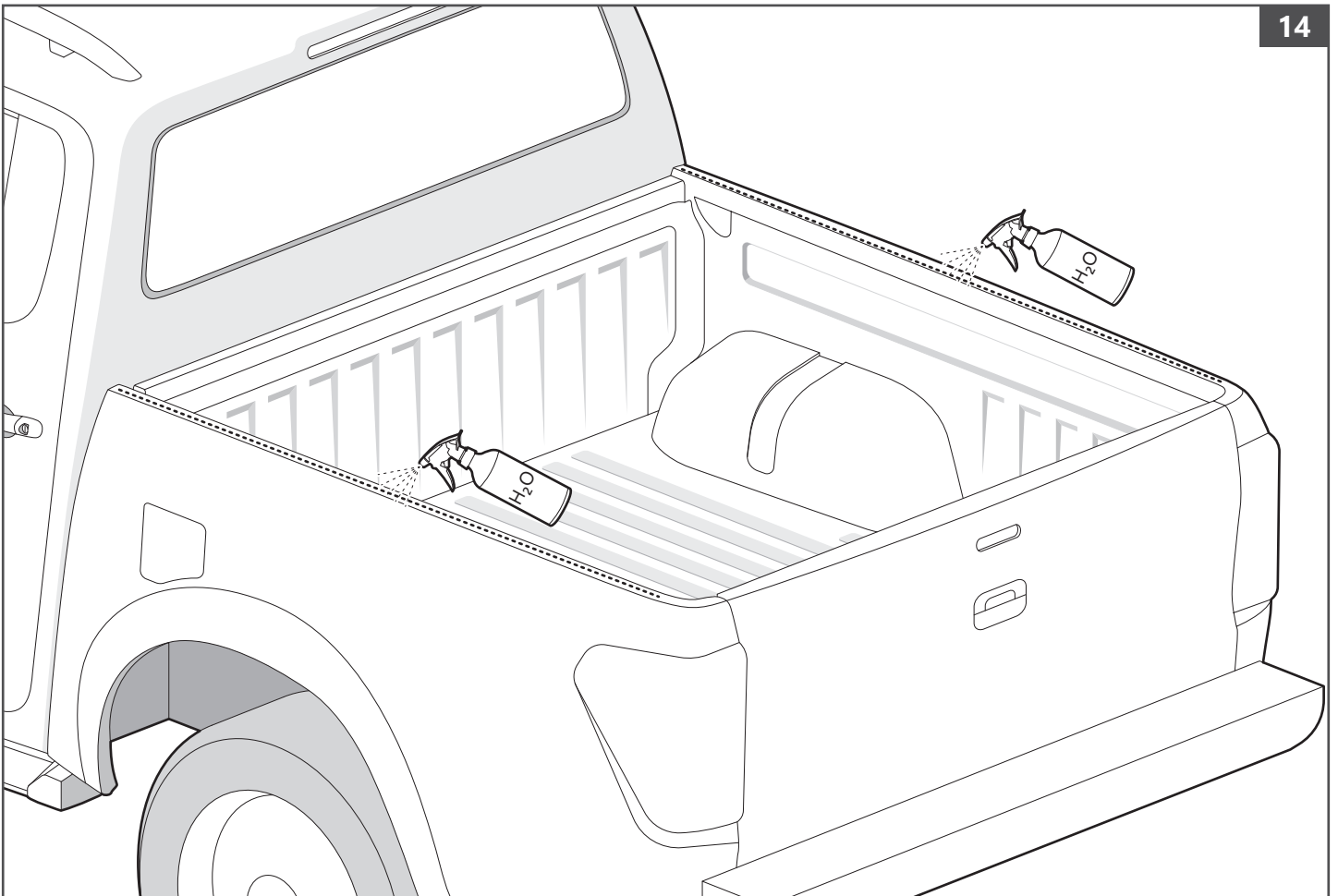
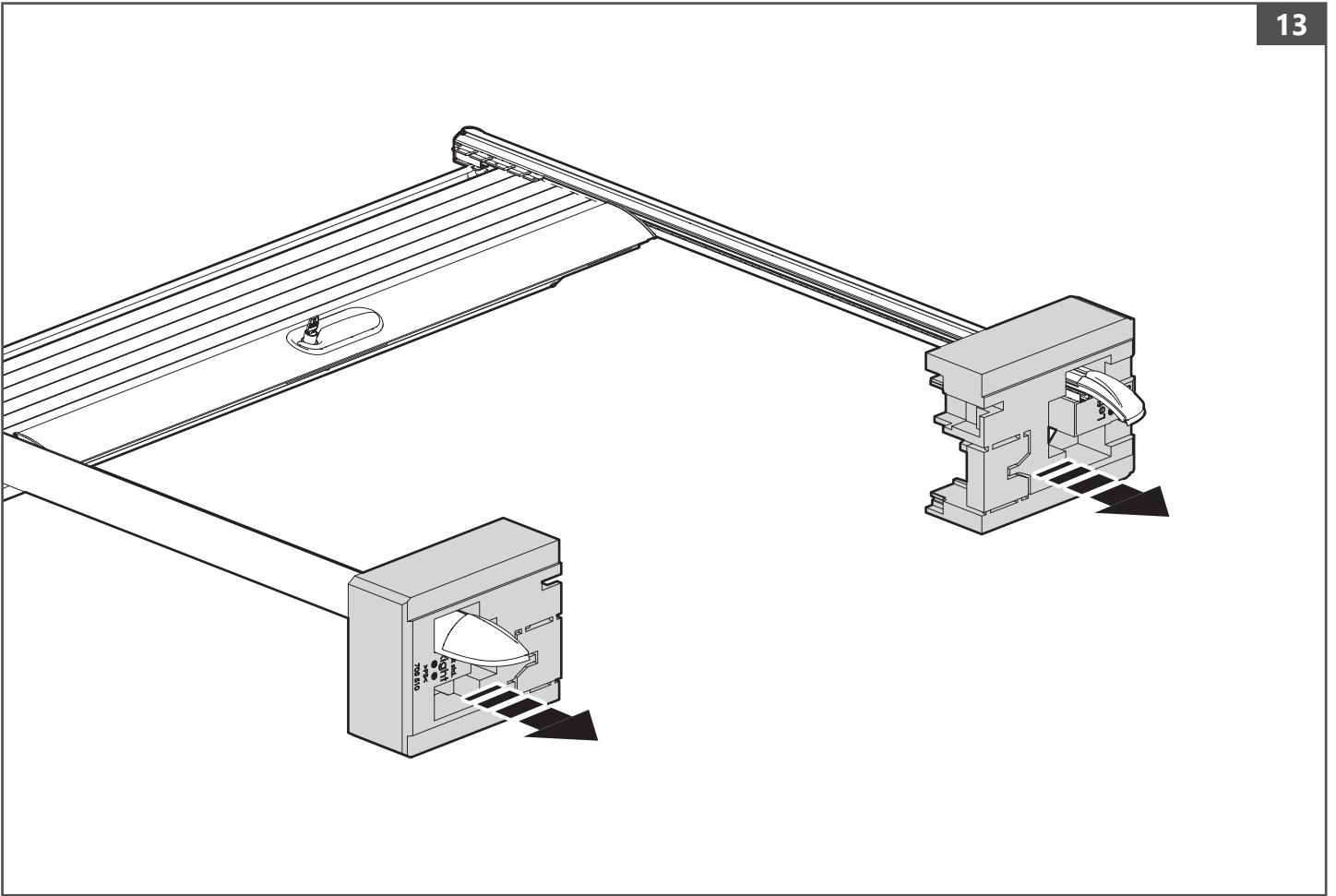


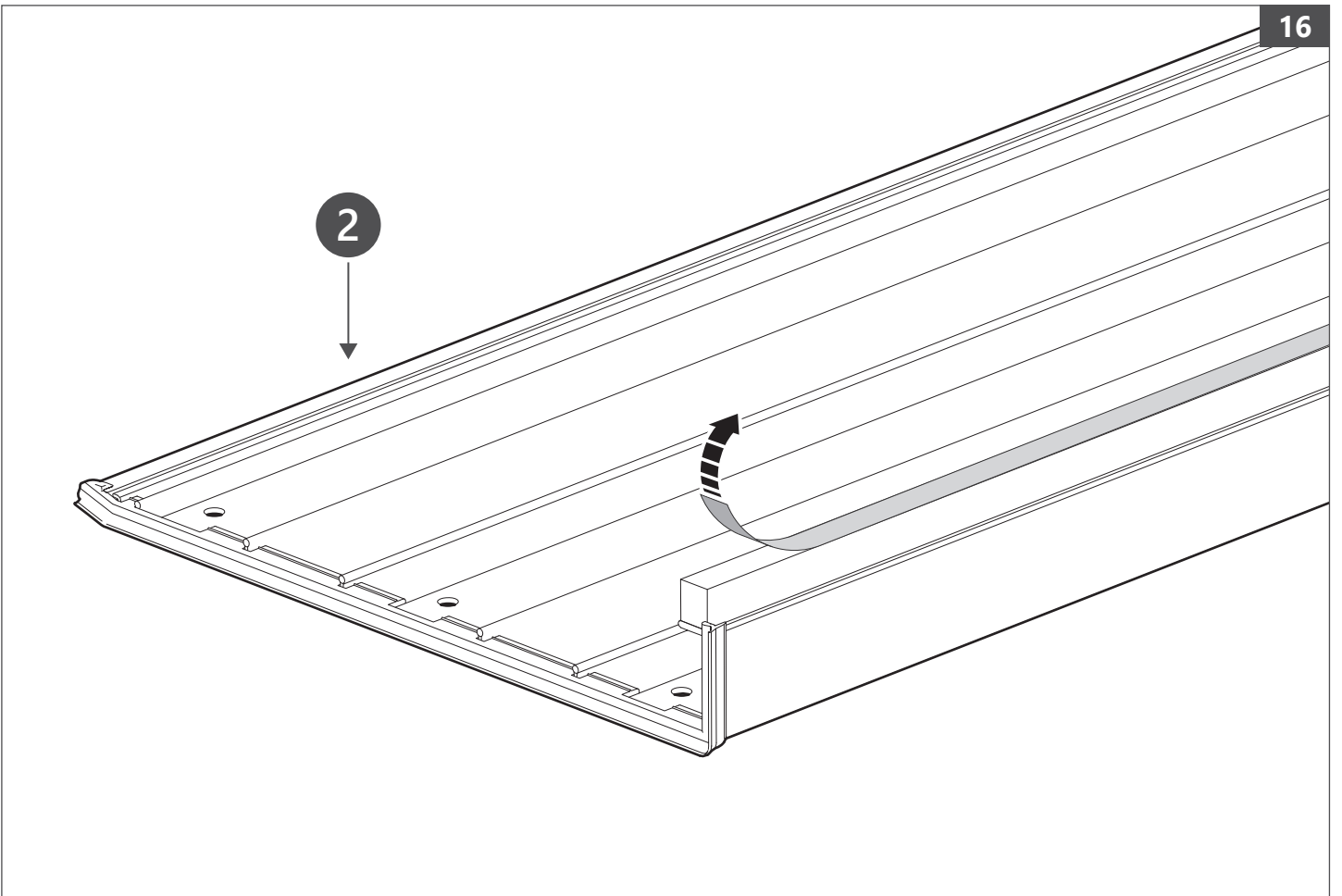
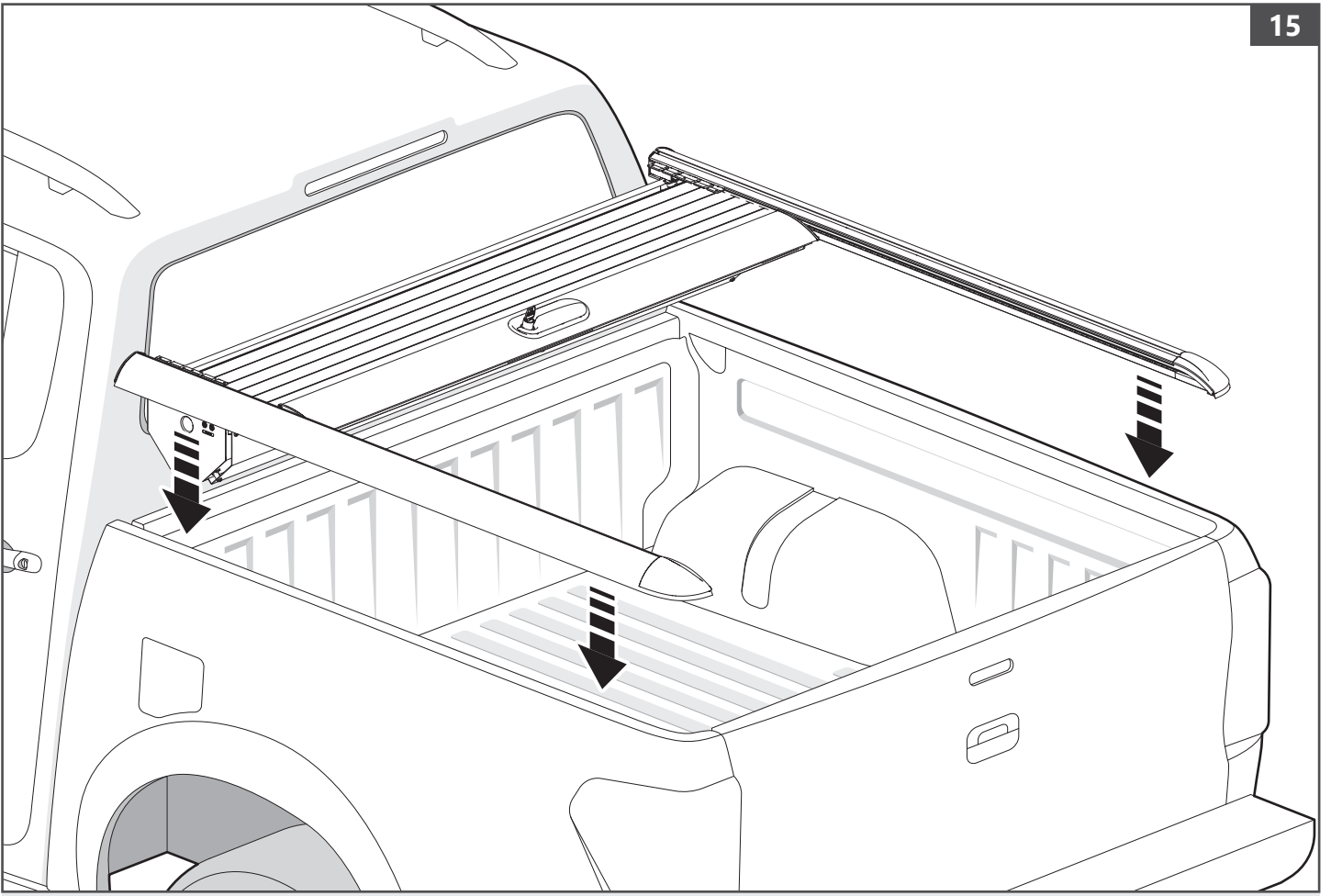


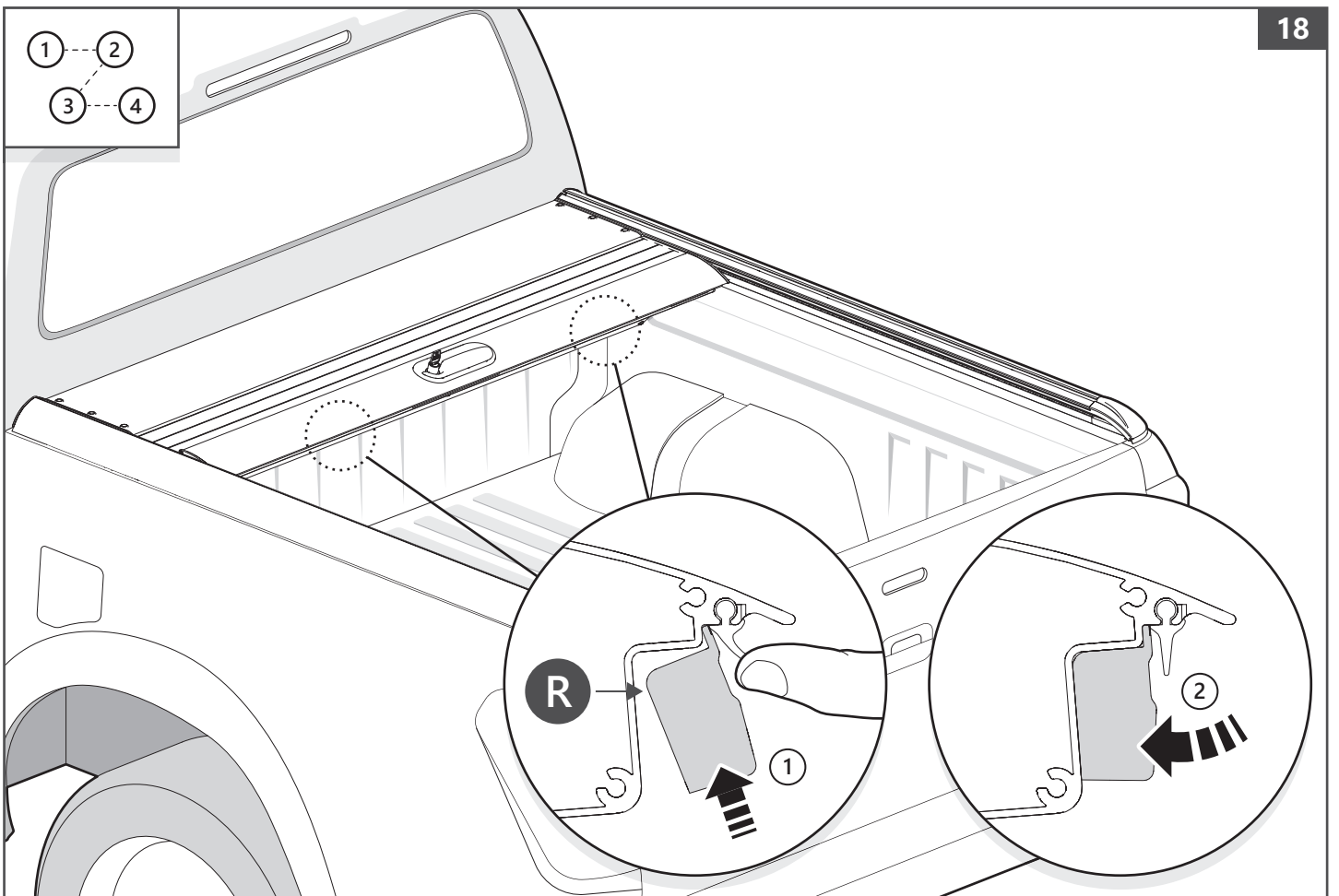
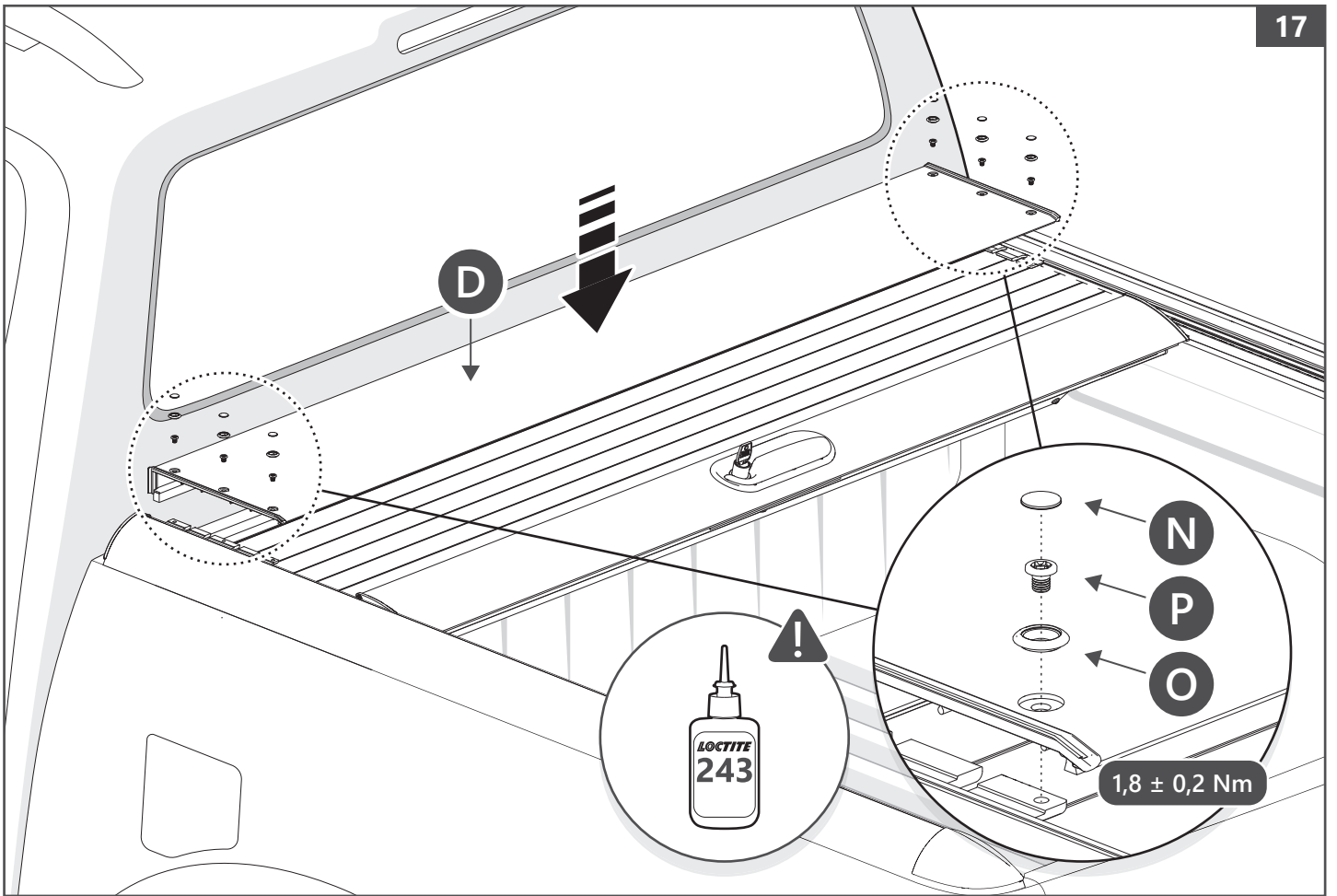


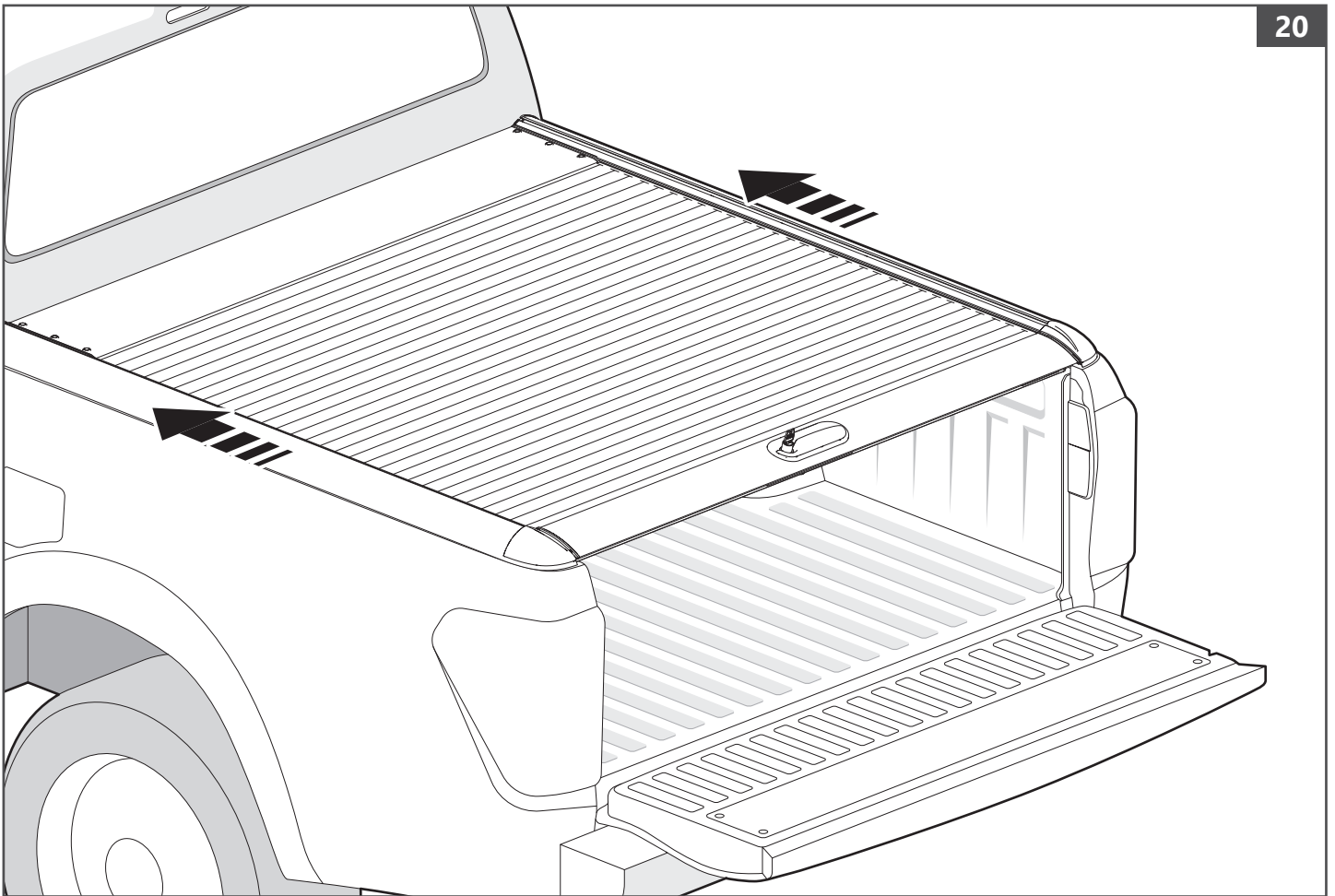
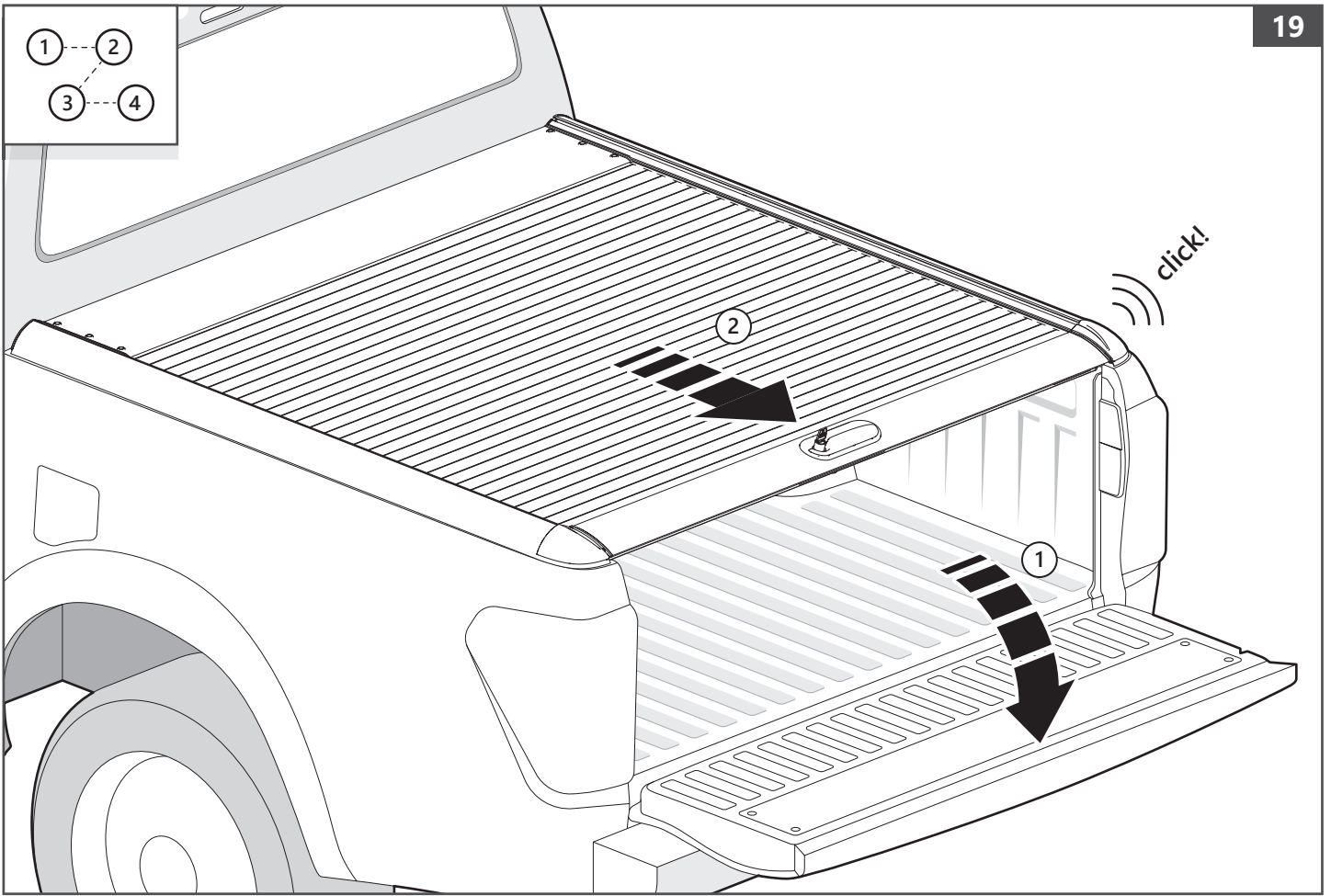


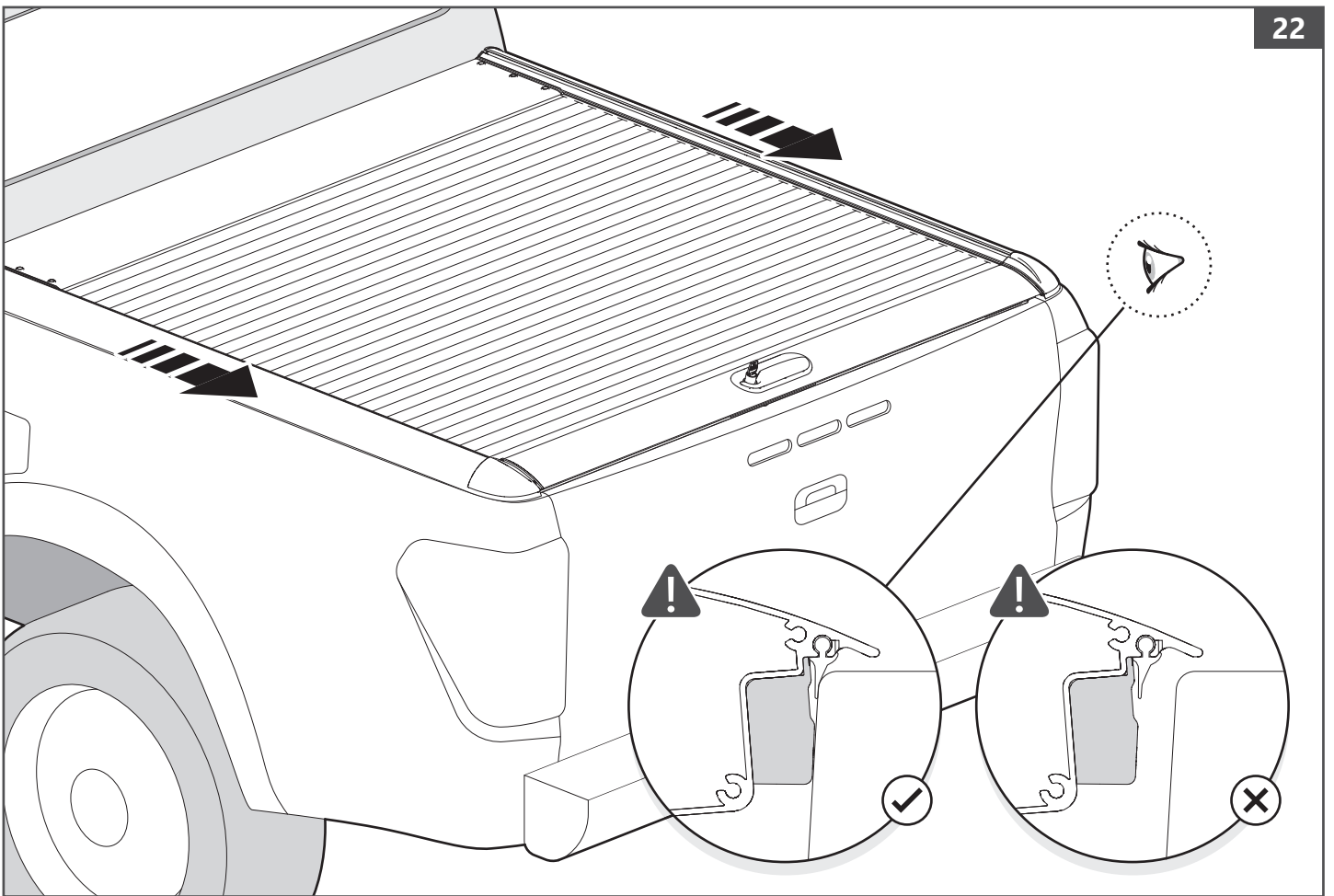
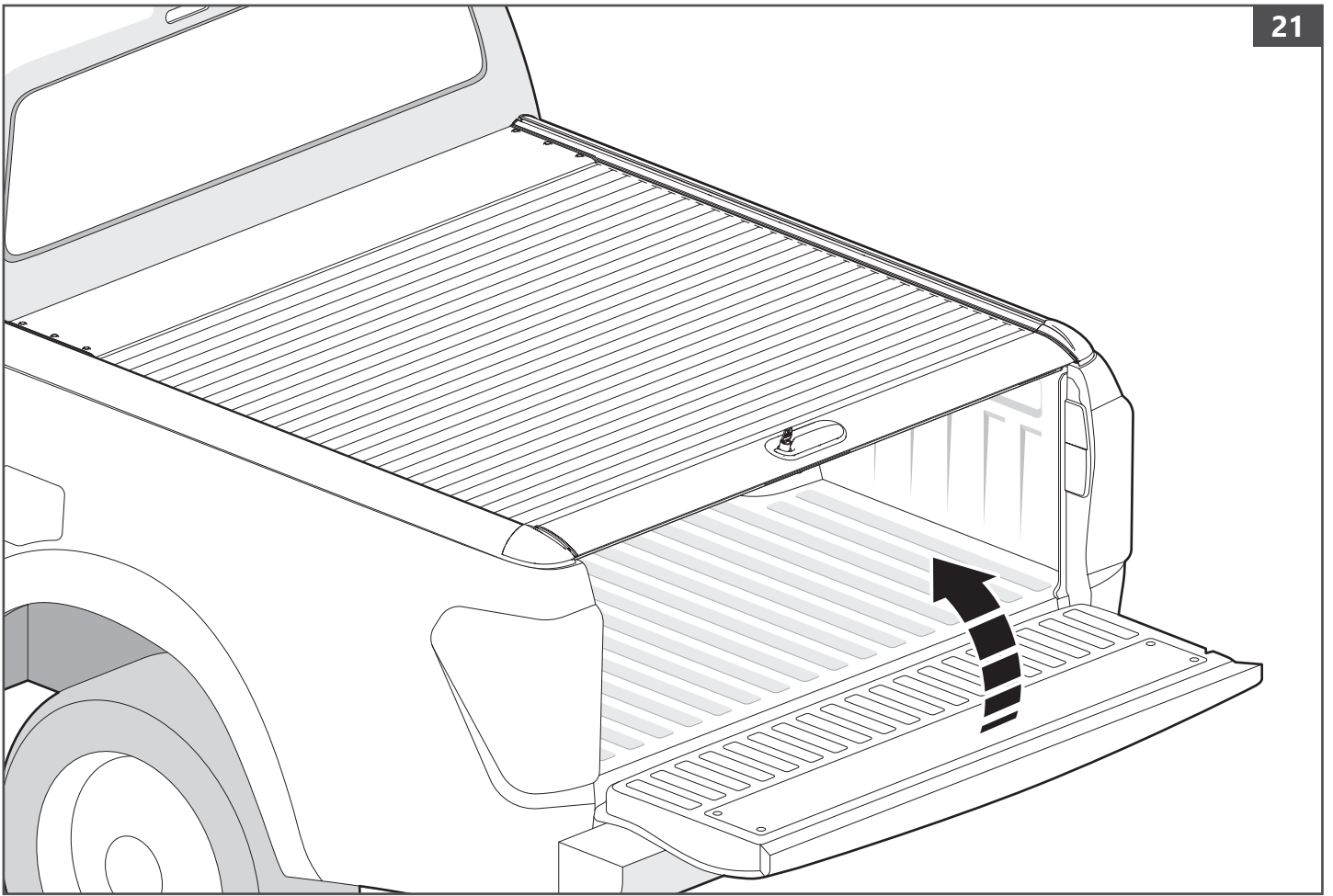


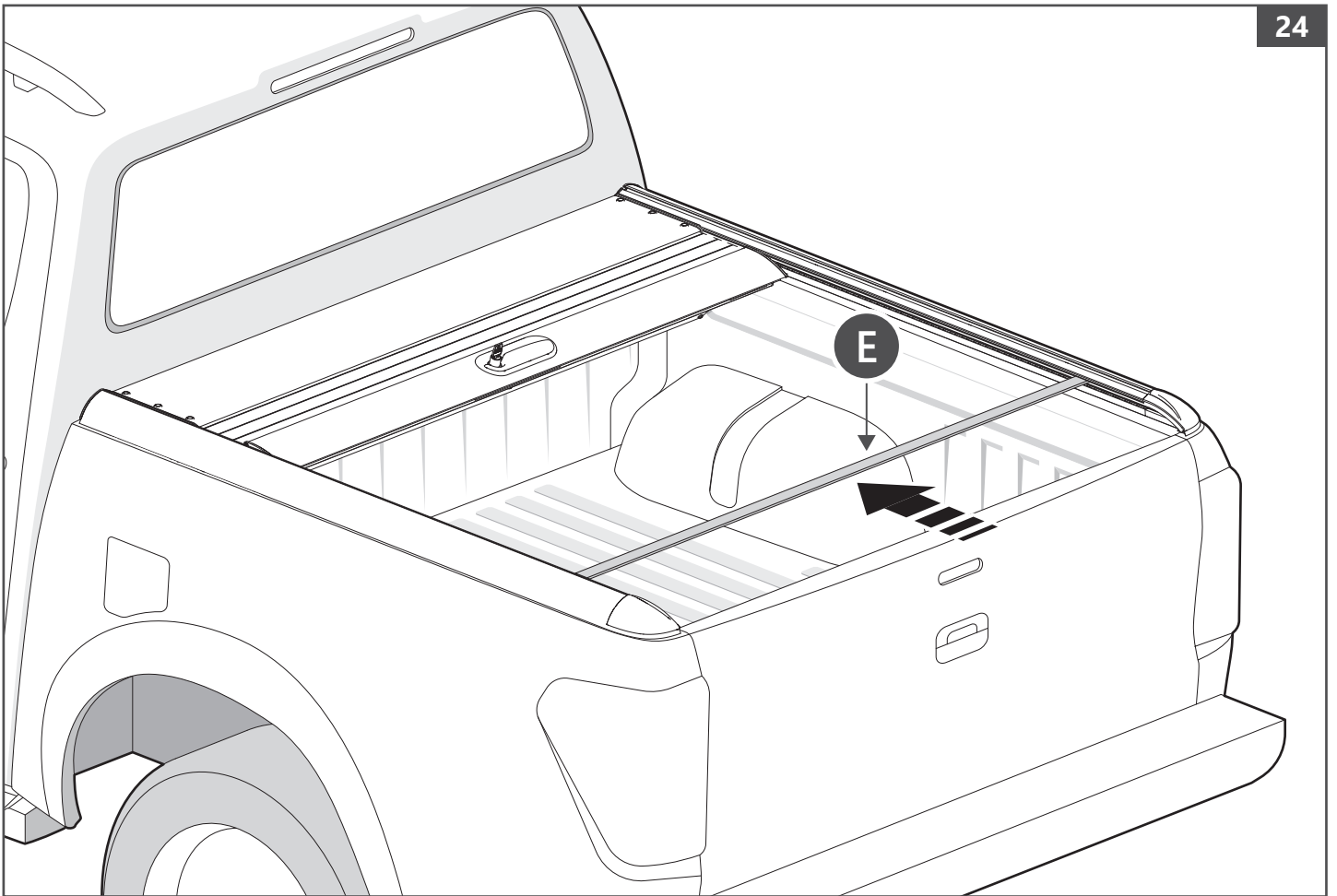
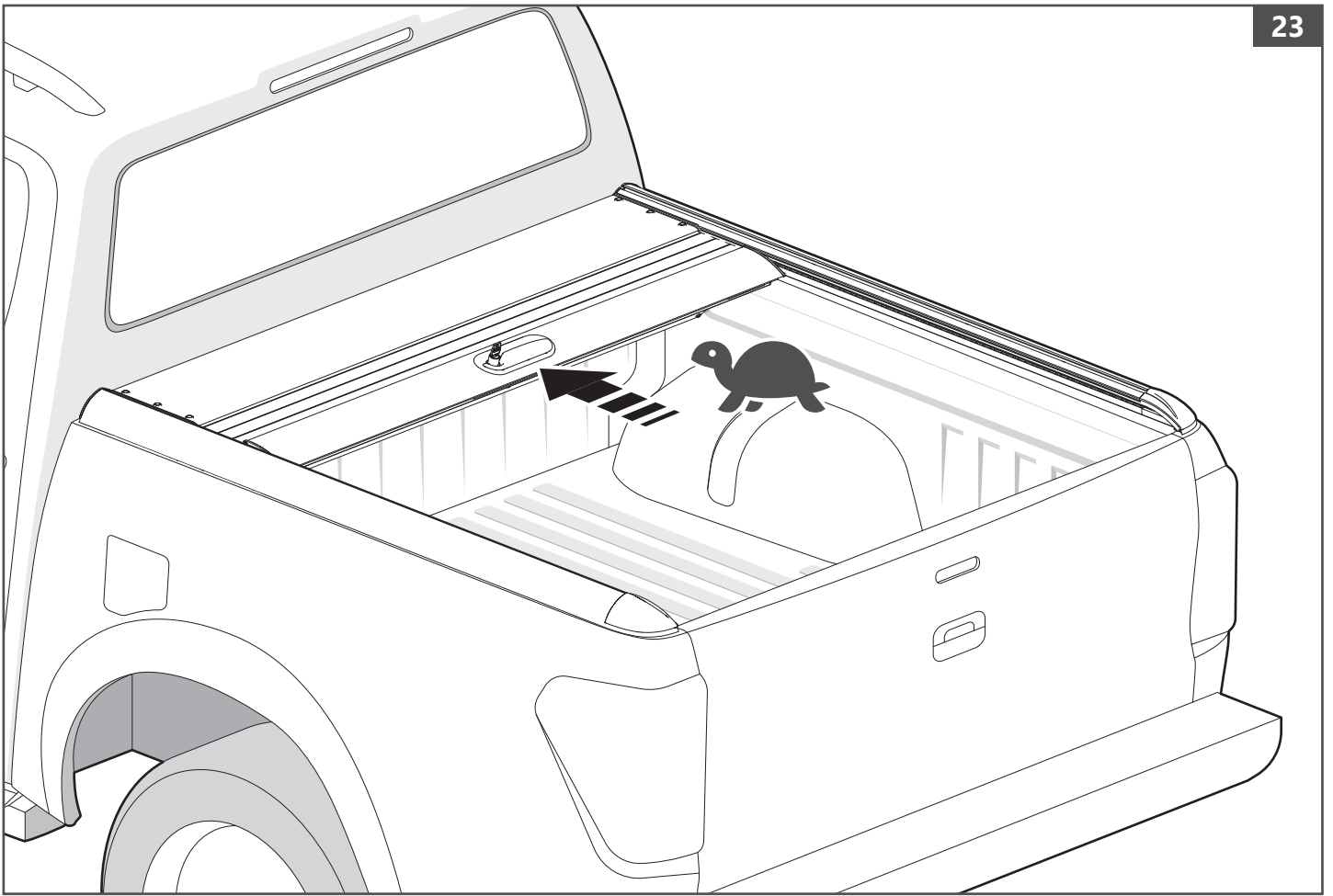


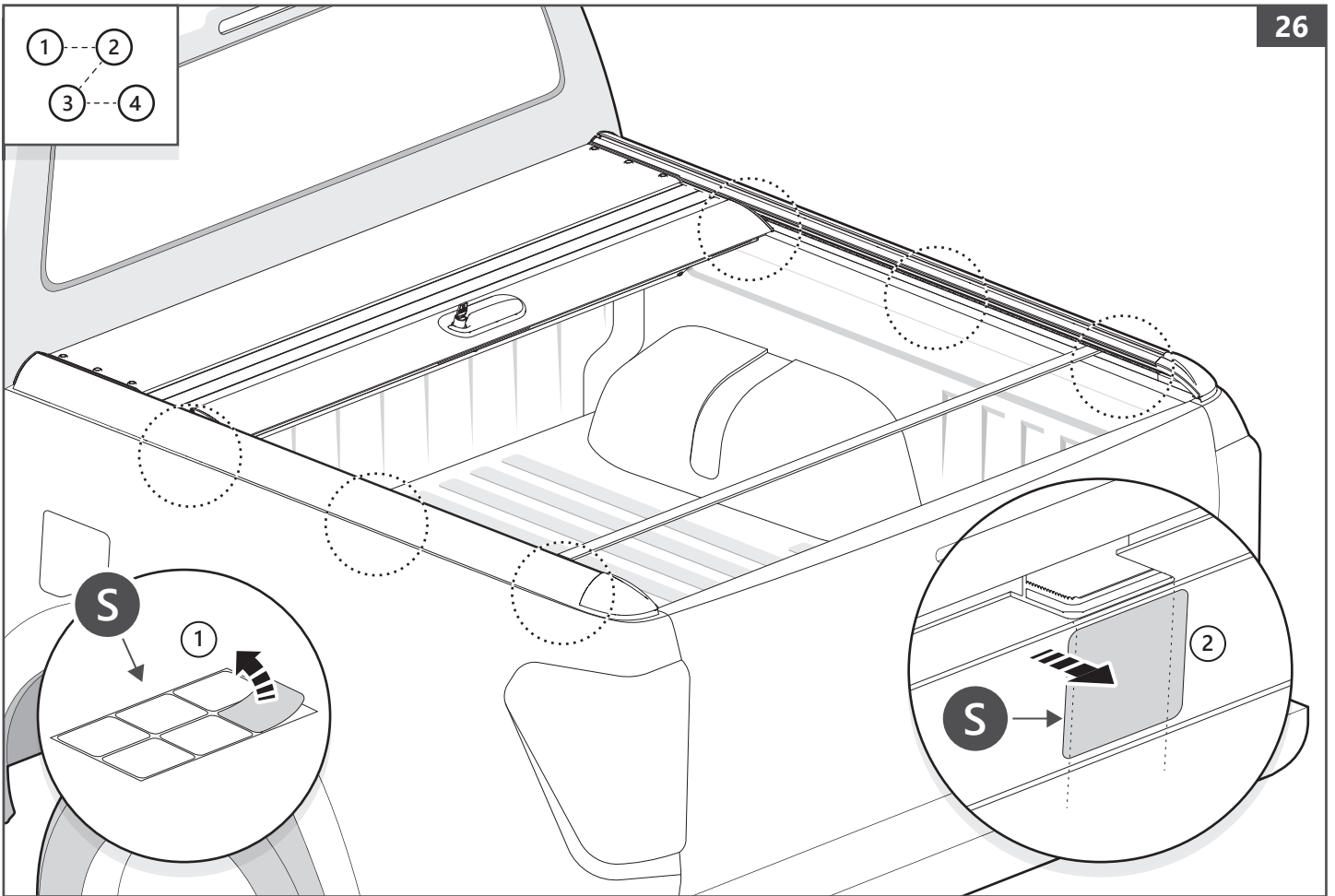
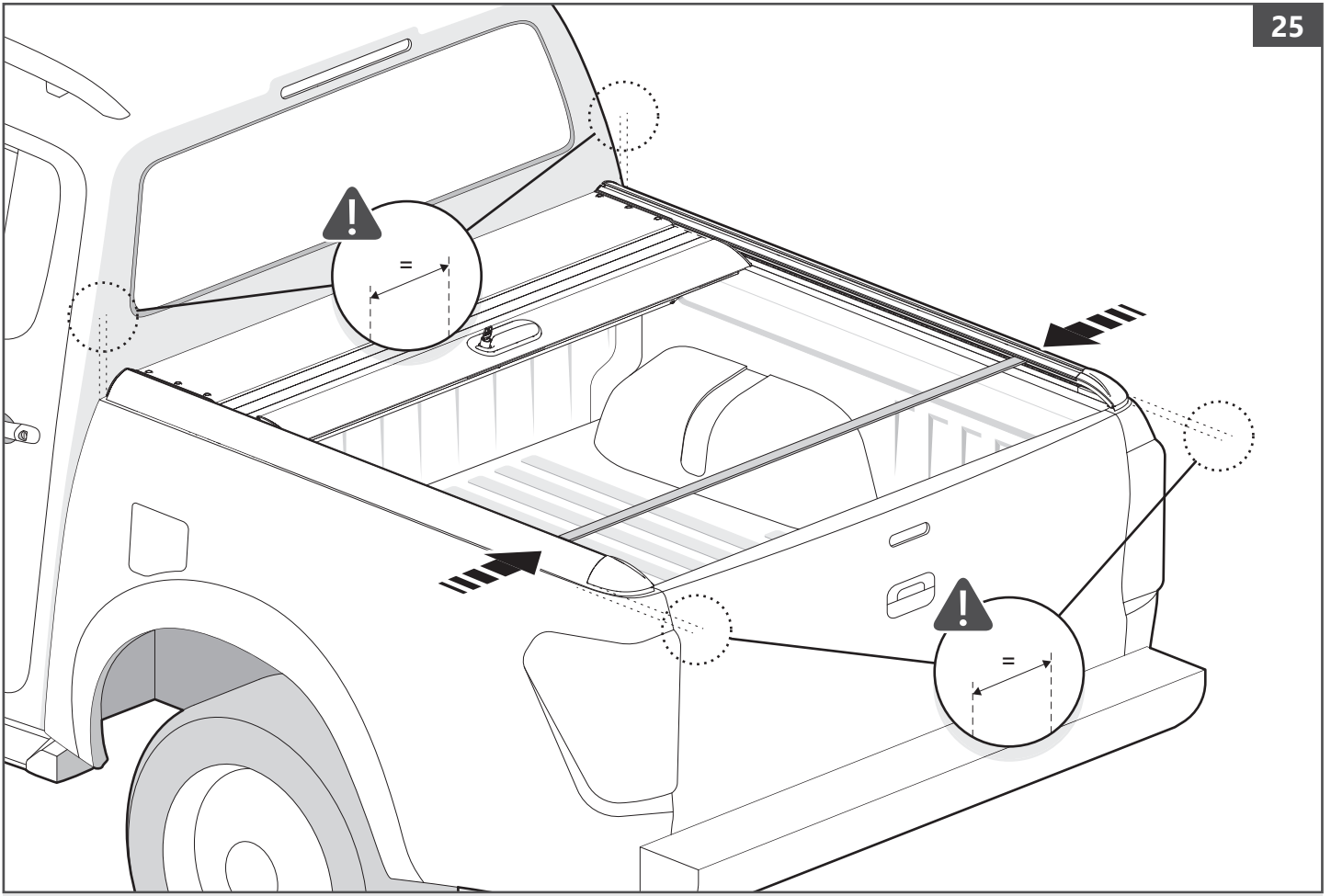


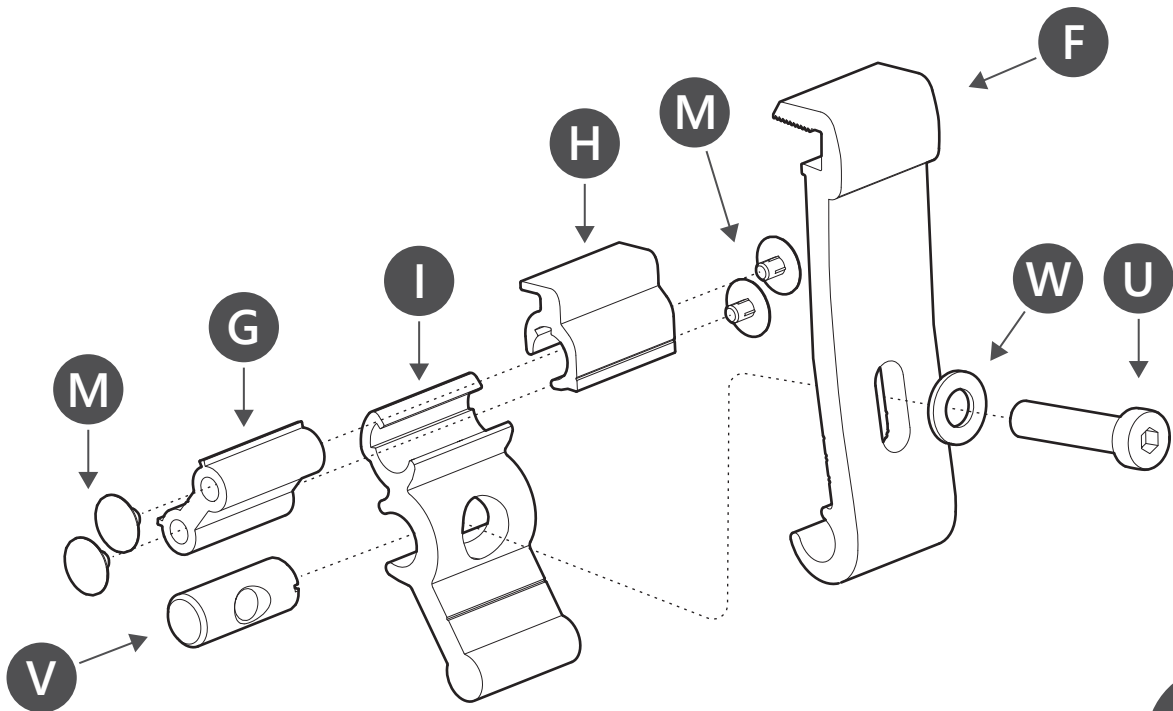




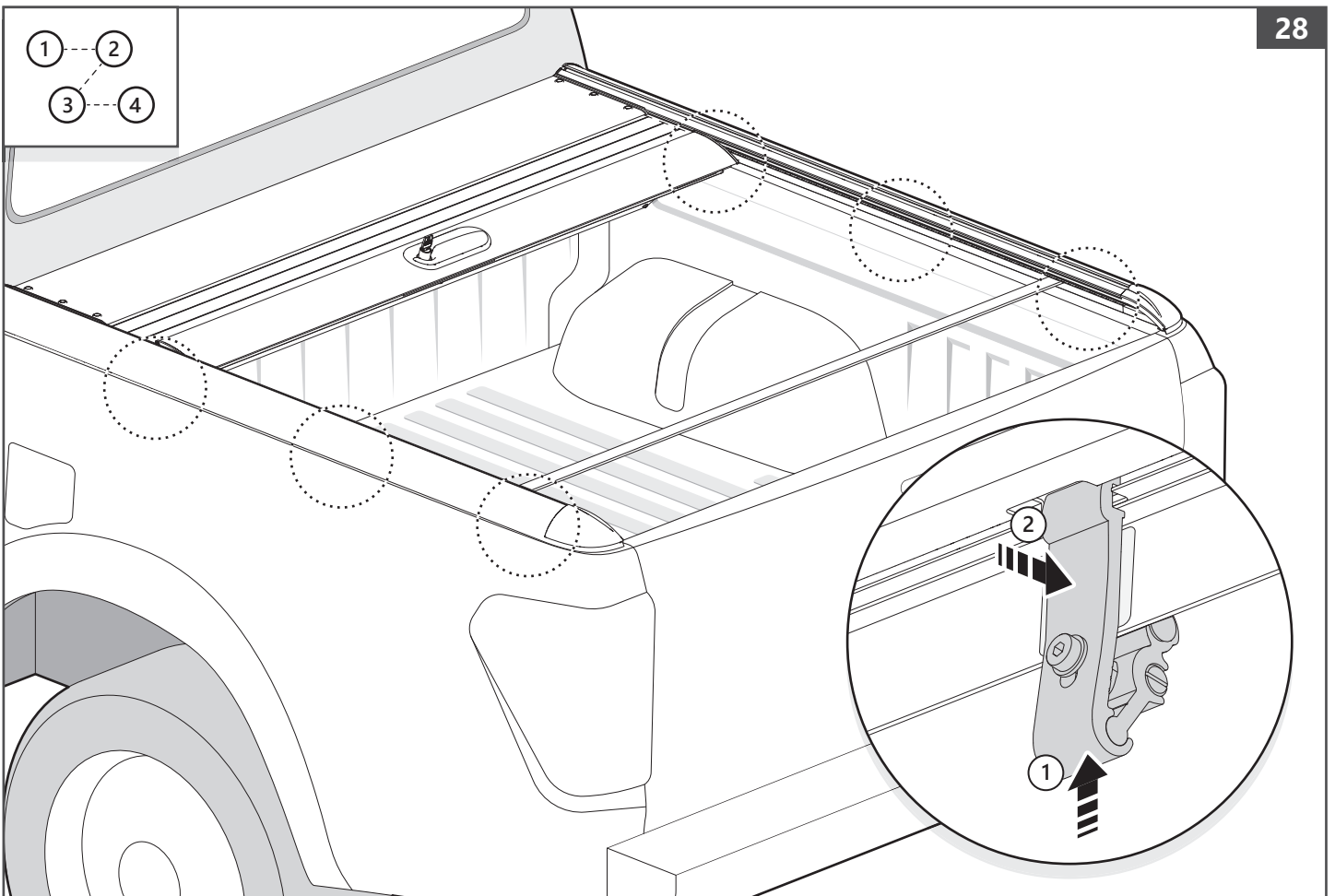


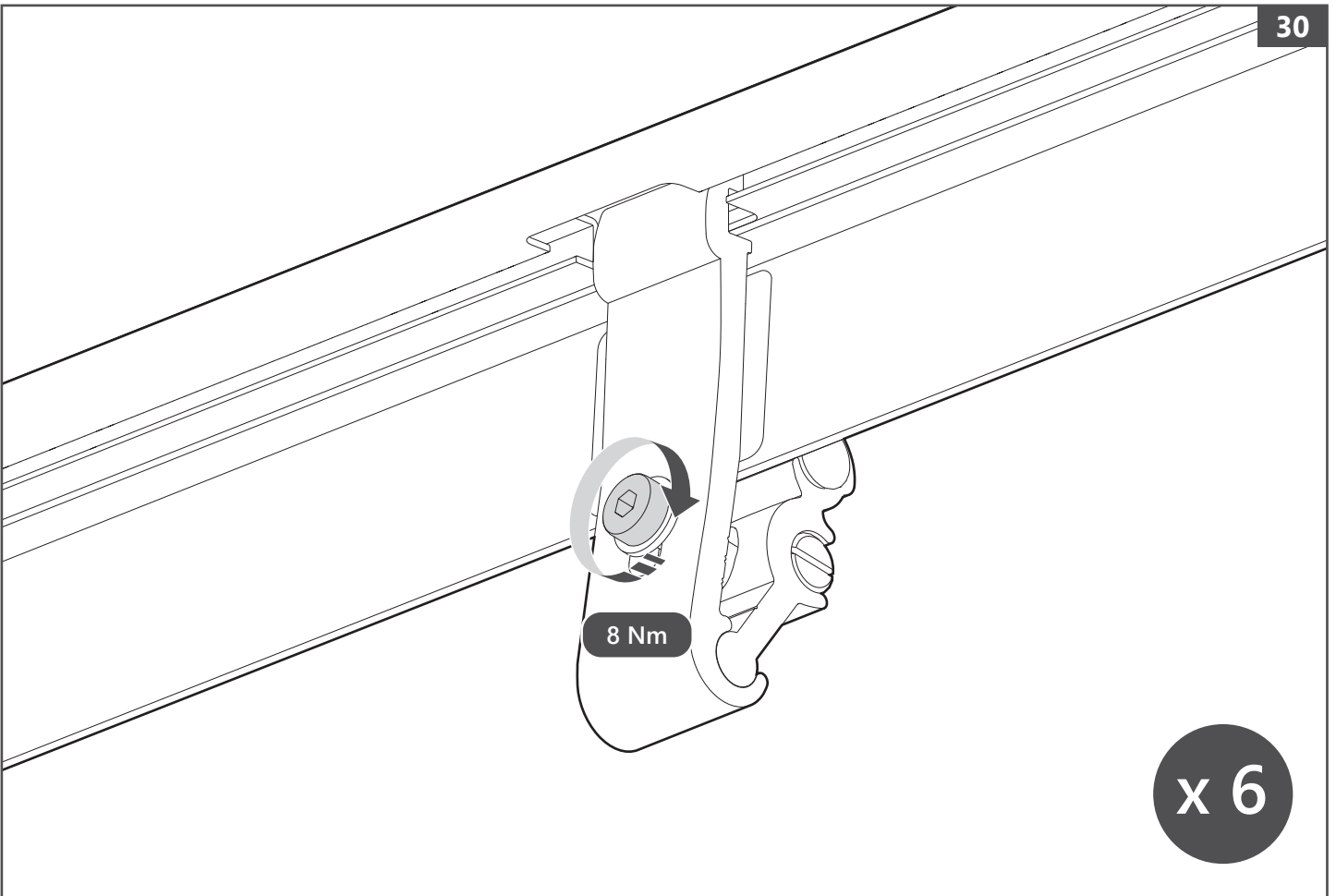
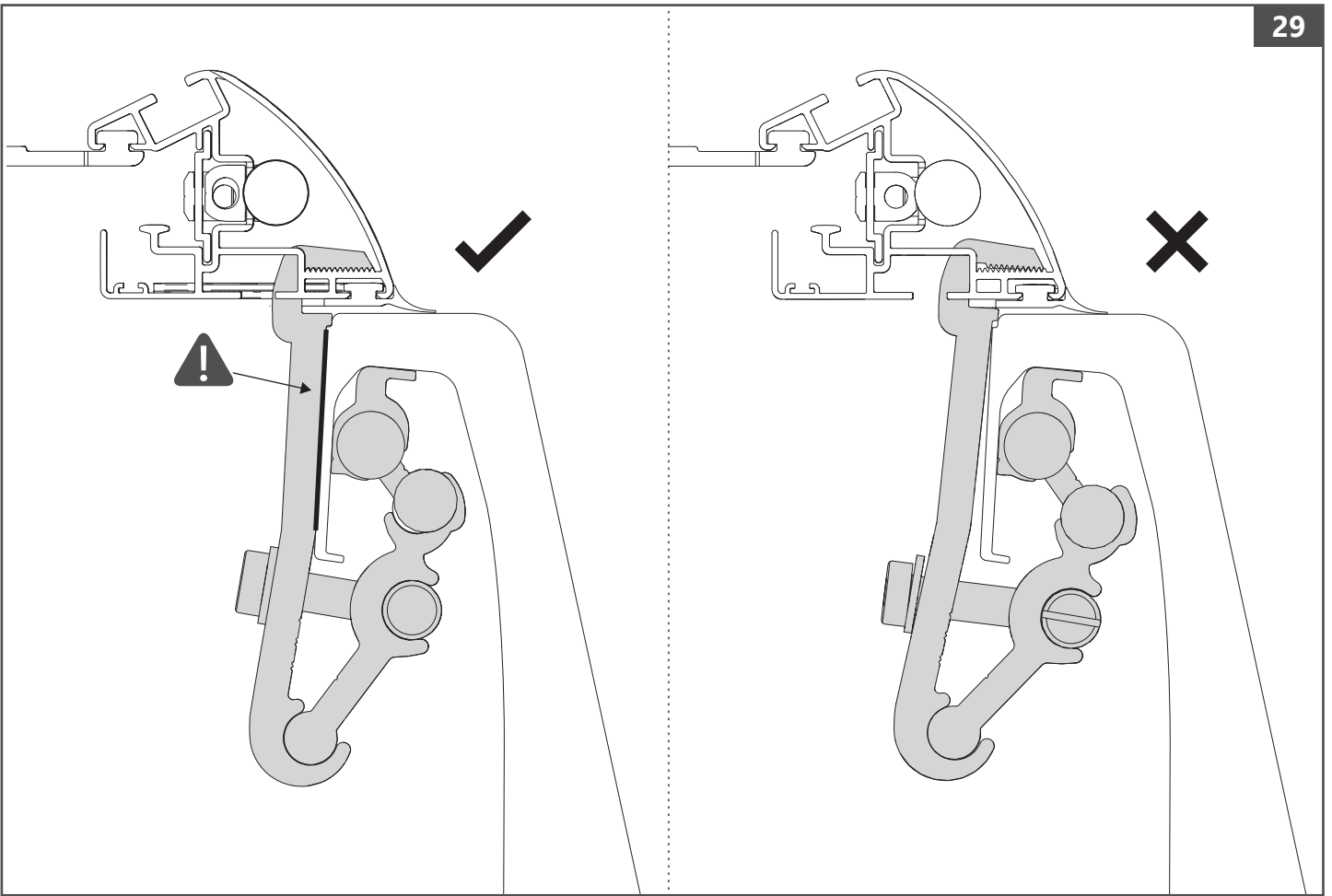


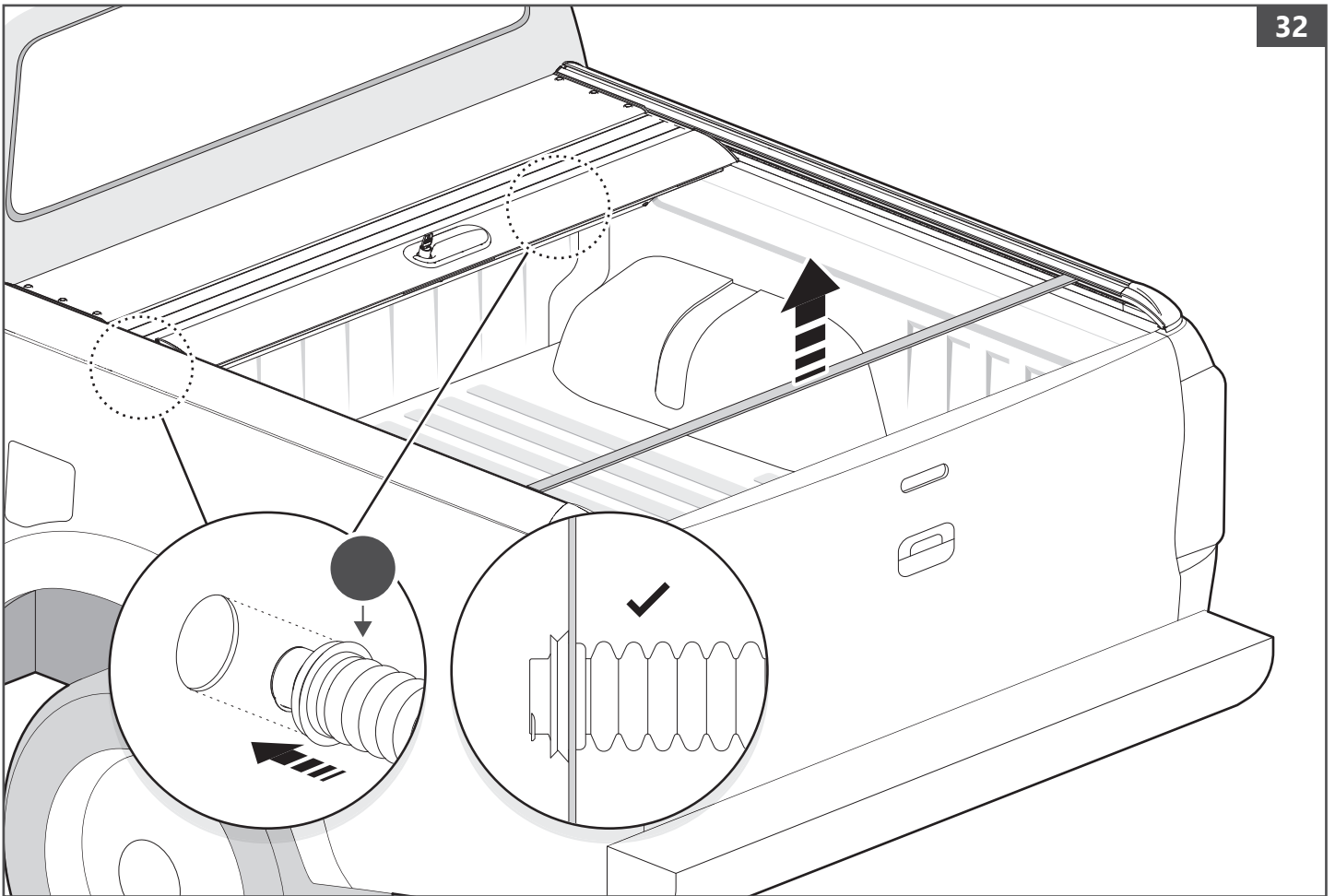
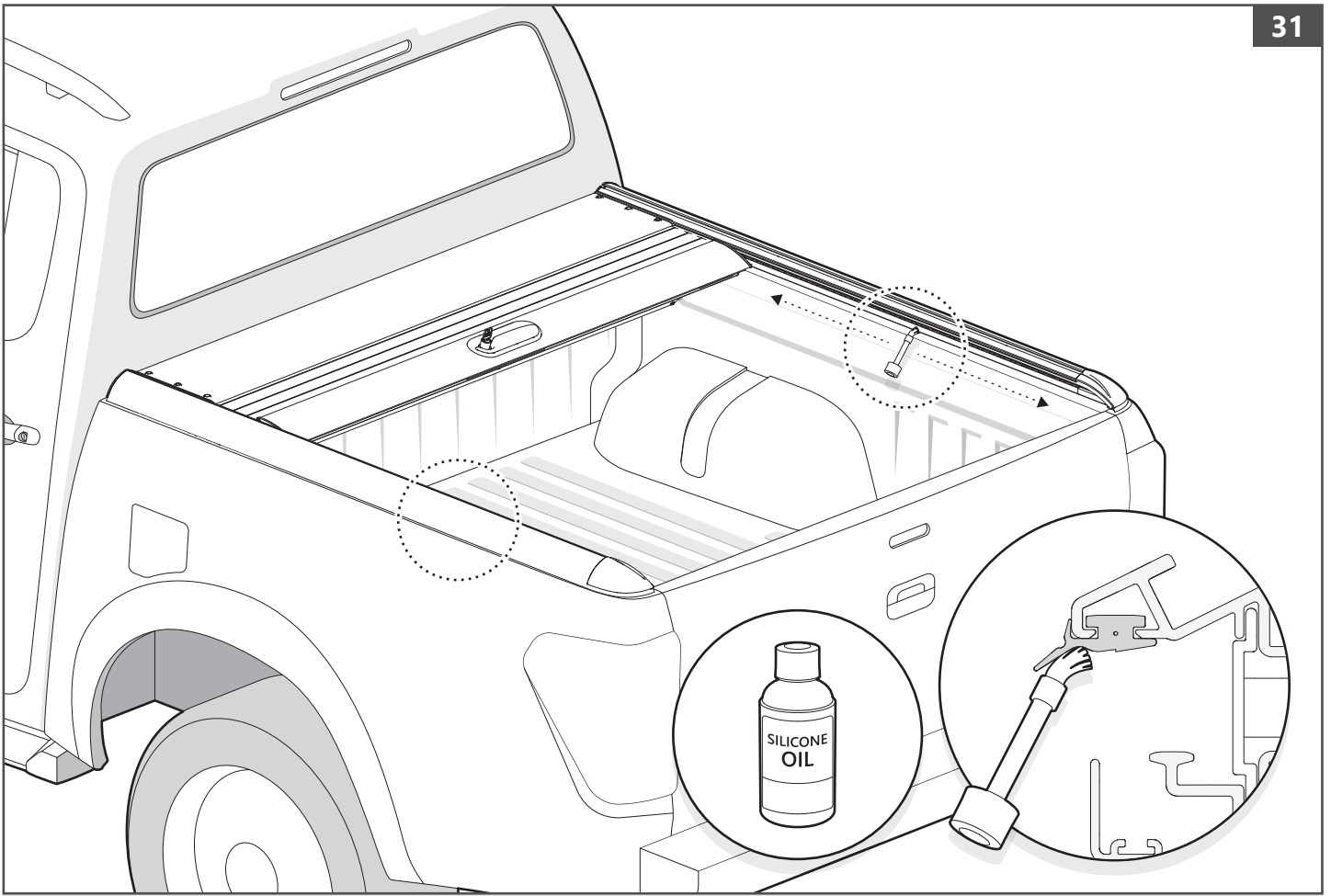


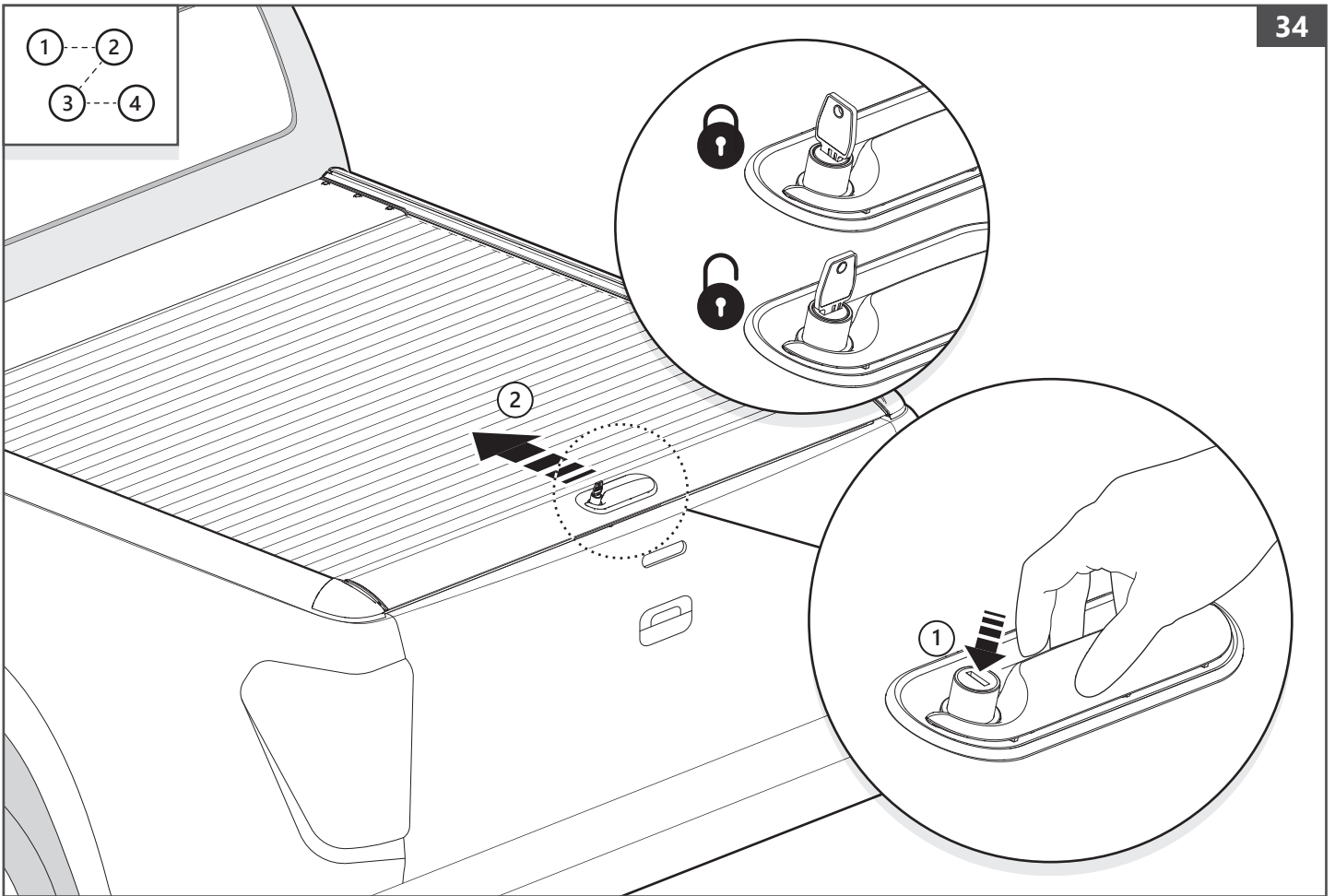
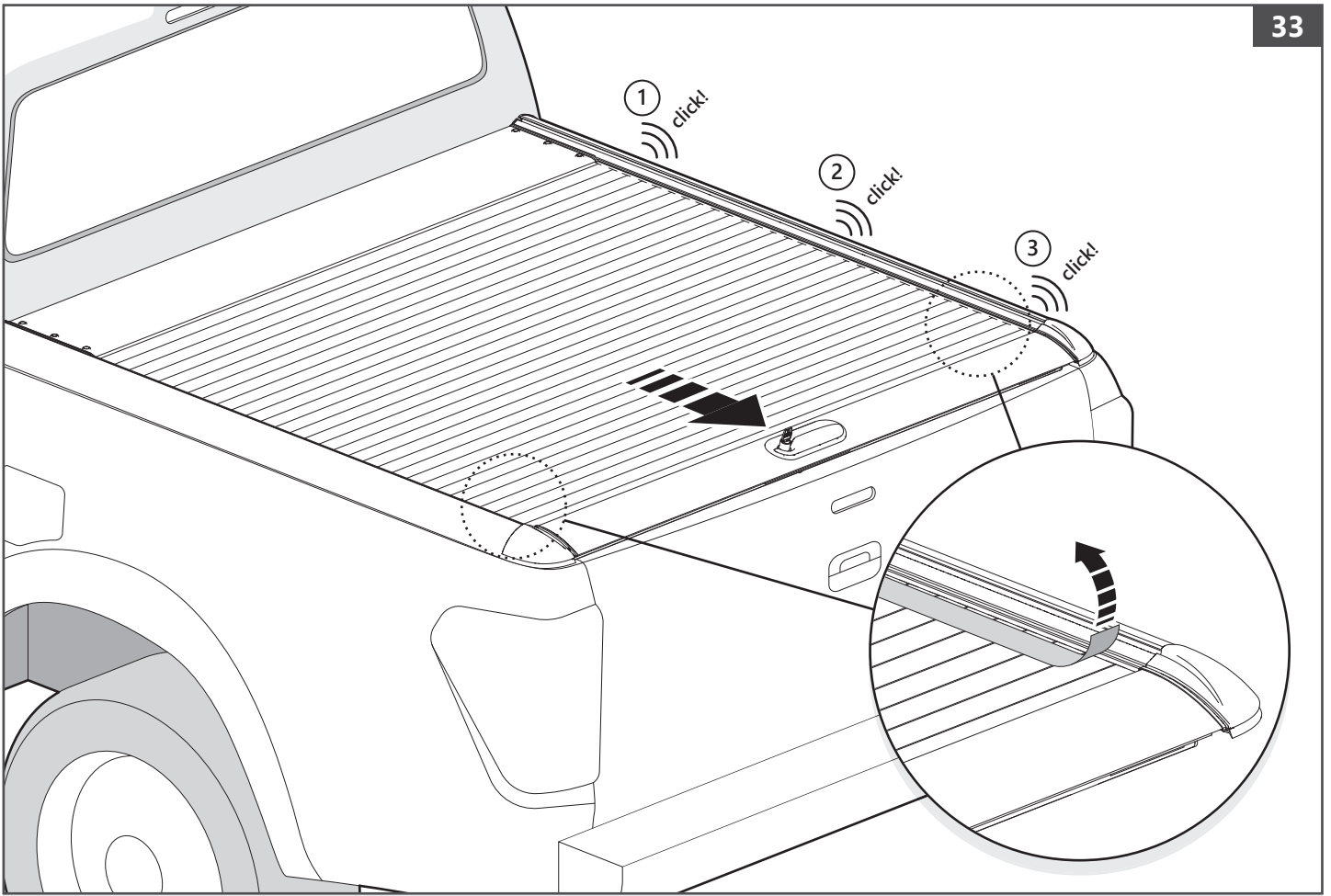


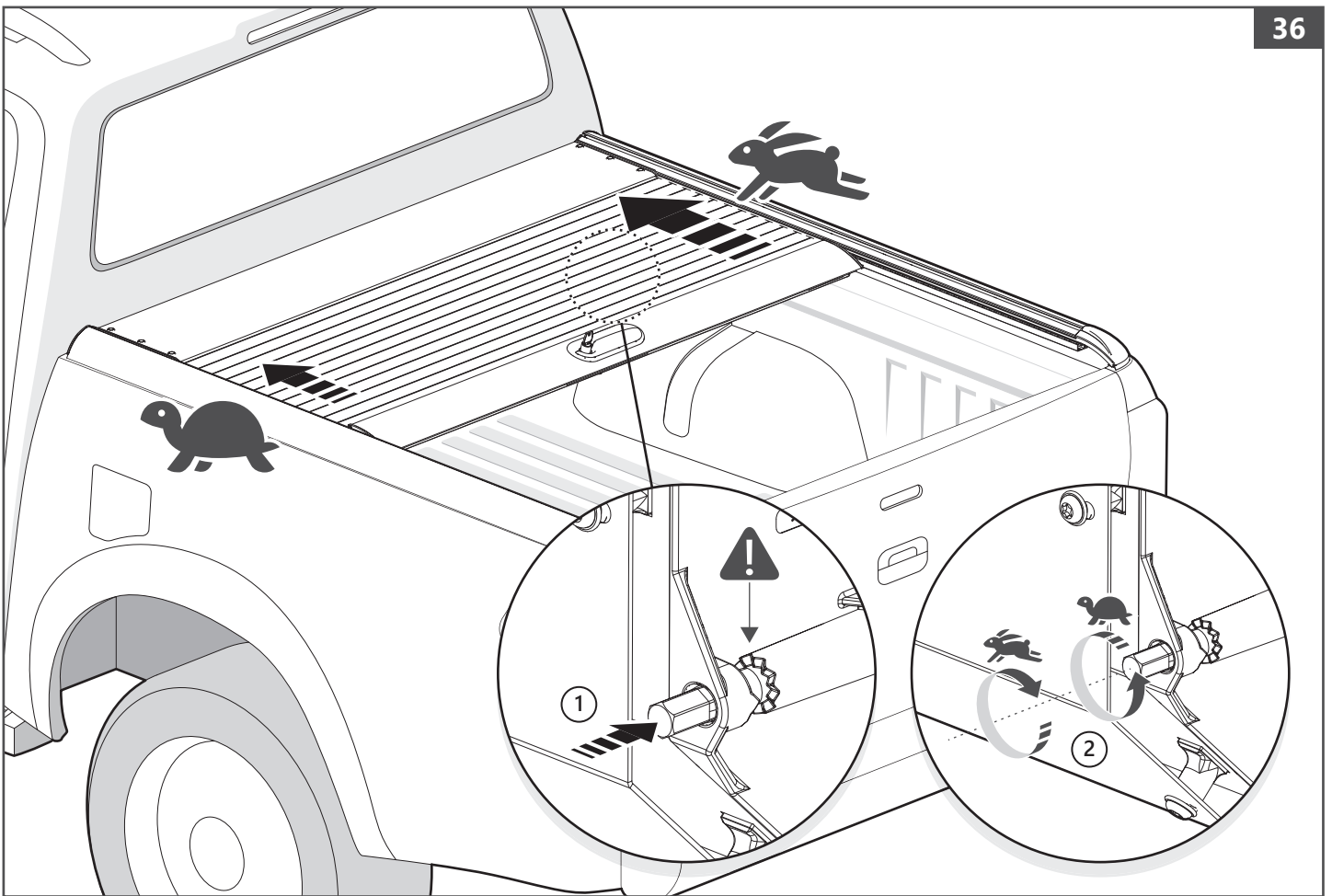
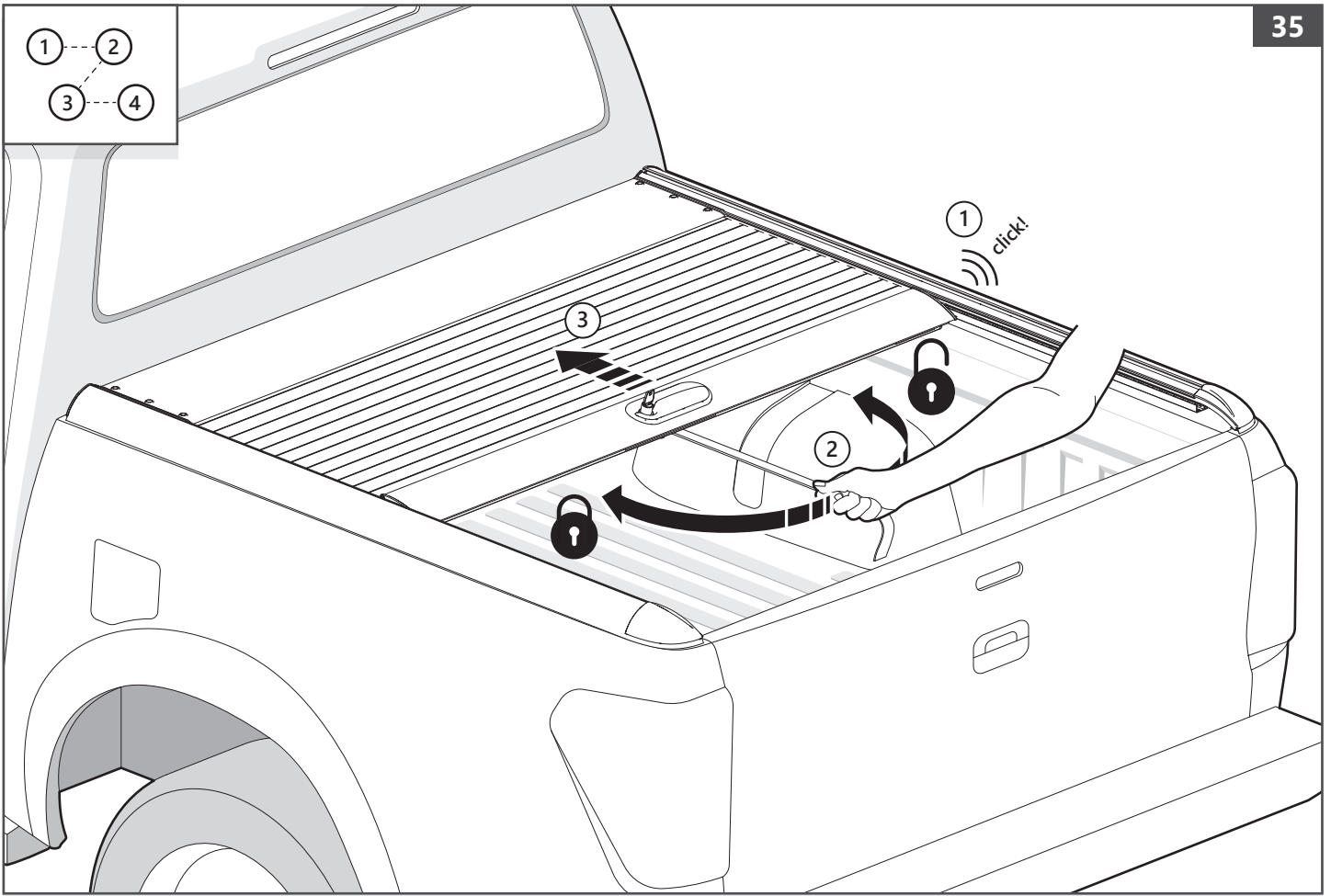
x 6













Customer Service +45 4810 2950 (08:00 - 16:00 CET)
Fax +45 4810 2960
Support info@mountaintop.dk
Website www.mountaintop.dk
Address Pedersholmparken 10, 3660 Frederikssund, Denmark

PART NUMBER(S)	MODEL / YEAR	CAB TYPE(S)	INSTALLATION TIME	WEIGHT
MTR TO80/81	Toyota / 2006 - 2016	Double / Extra	2 hour(s)	31 - 36 Kg
MTR TO90/91	Toyota / 2015 →	Double / Extra	2 hour(s)	31 - 36 Kg
MTR IS90/91	Isuzu / 2006 - 2011	Double / Space	2 hour(s)	31 - 36 Kg
MTR FO90/91	Ford / 2011 →	Double / Super	2 hour(s)	31 - 36 Kg
MTR MA90/91	Mazda / 2011 →	Double / Super	2 hour(s)	31 - 36 Kg
MTR NI90/91	Nissan / 2015 →	Double / King	2 hour(s)	31 - 36 Kg
MTR VW80	Volkswagen / 2010 →	Double	2 hour(s)	31 - 36 Kg

GB Installation manual	S Monteringsanvisning	D Einbauanleitung
SF Asennusohje	E Instrucciones de montaje	CZ Návod k instalaci
F Notice de montage	H Szerelési utasítás	I Istruzioni de montaggio
PL Instrukcja montażu	P Instruções de instalação	GR Οδηγίες Εγκατάστασης
NL Installatie-instructies	RUS Инструкция по установке	DK Monteringsvejledning
TR Montaj Talimatı	N Monteringsveiledning	RO Instructiuni de instalare