

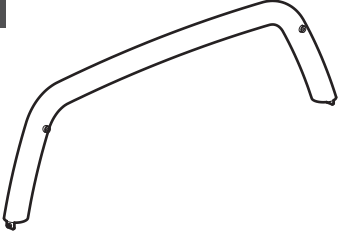
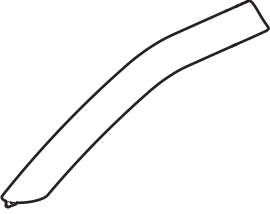

# Mountain Top® Sports Bar


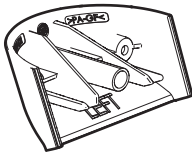
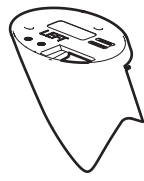
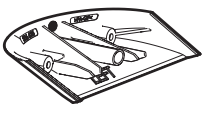

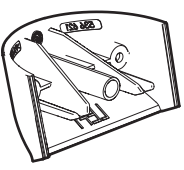
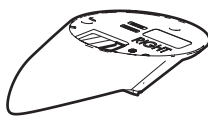
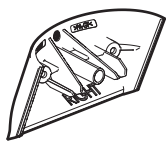
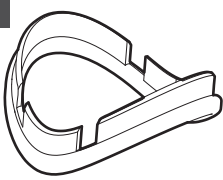
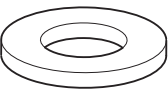
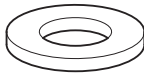

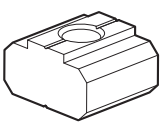
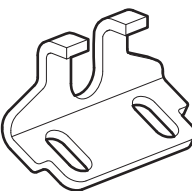
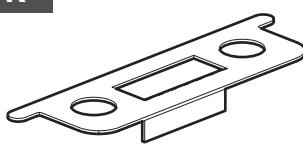
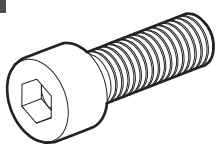
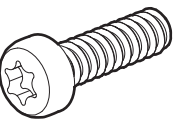
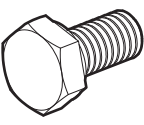
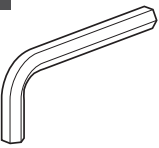
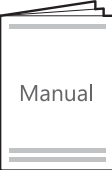

Installation manual

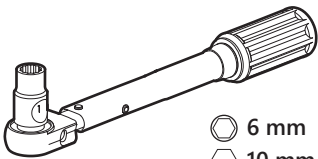



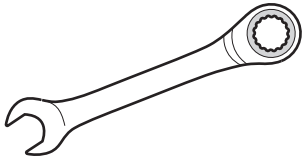


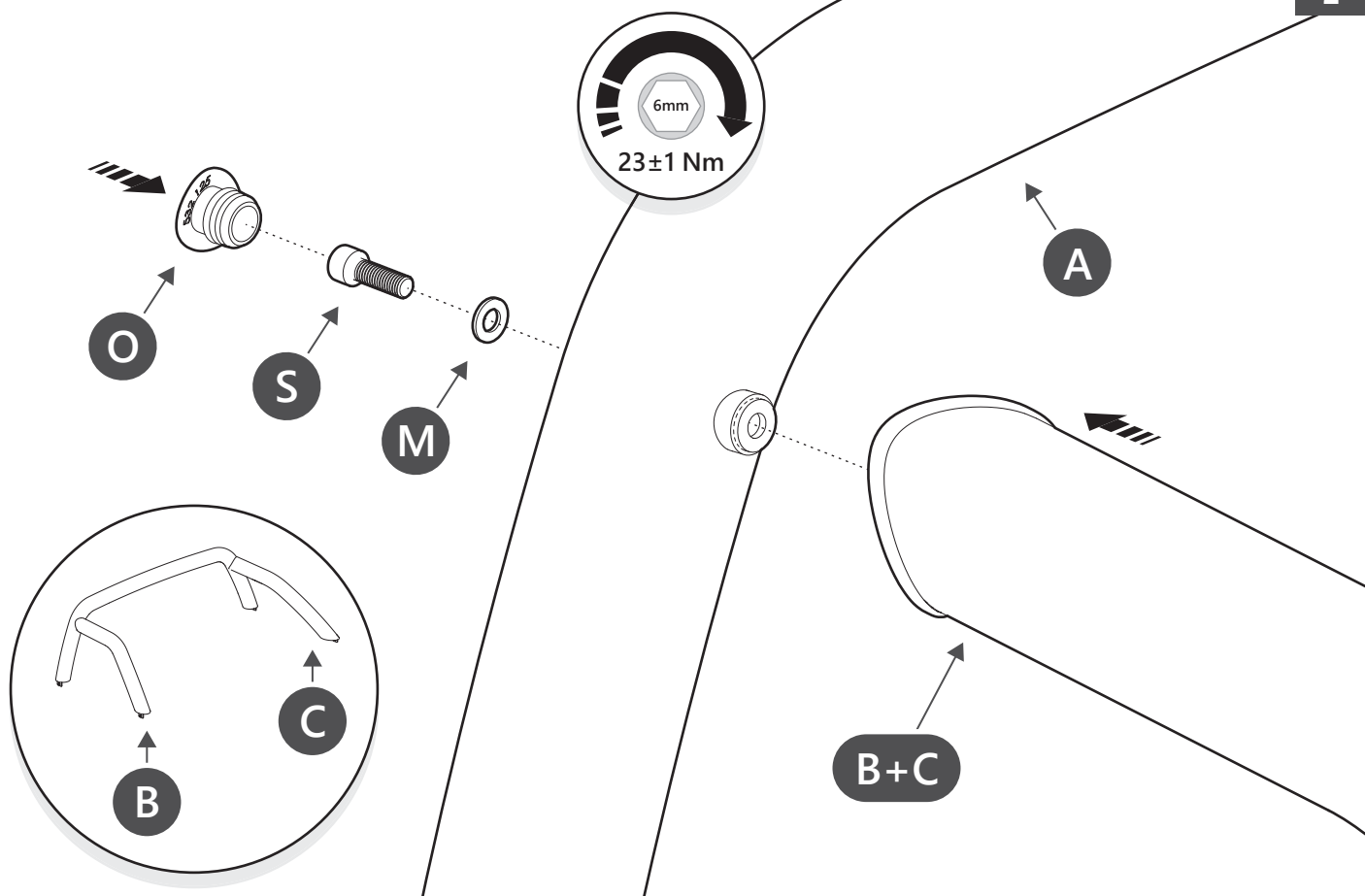
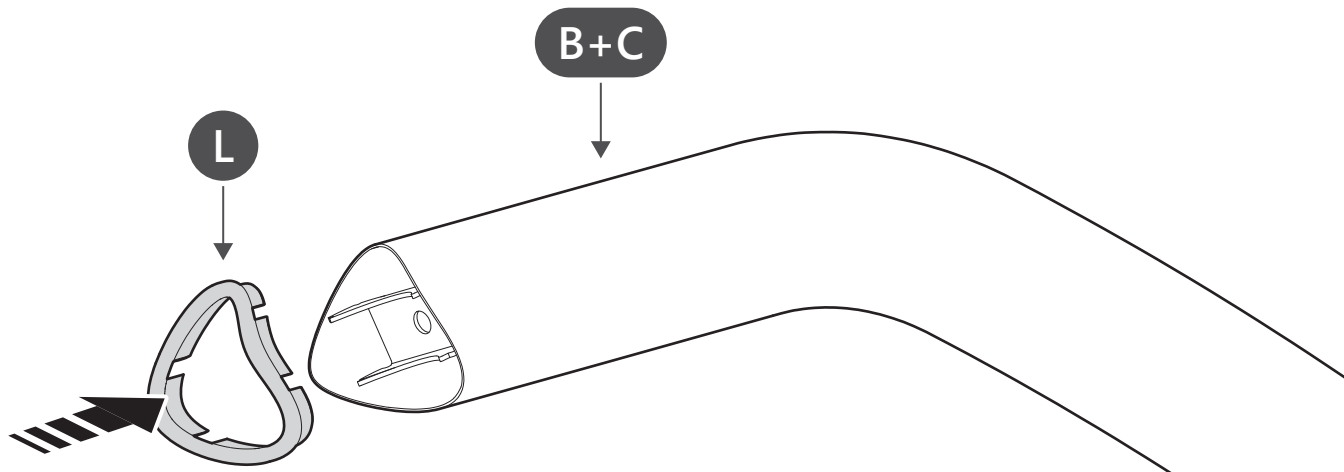
DOWNLOAD PDF



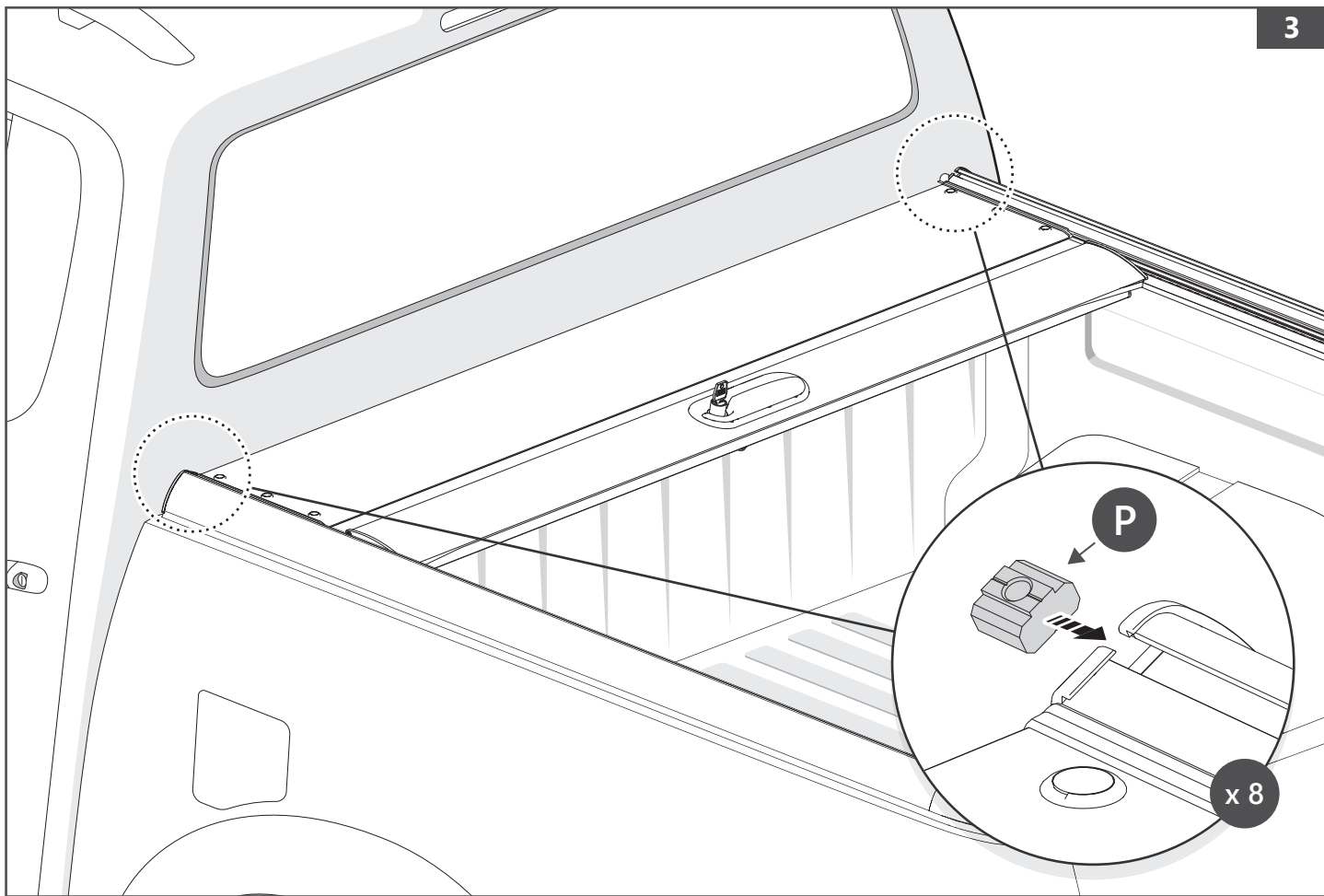
Parts		
<b>A</b>		x 1
<b>B</b>		x 1
<b>C</b>		x 1

Kit						
<b>D</b>		x 1	<b>E</b>		x 1	
<b>F</b>		x 1	<b>G</b>		x 1	
<b>H</b>		x 1	<b>I</b>		x 1	
<b>J</b>		x 1	<b>K</b>		x 1	
<b>L</b>		x 2	<b>M</b>		x 6	
<b>N</b>		x 8	<b>O</b>		x 2	
<b>P</b>		x 8	<b>Q</b>		x 4	
<b>R</b>		x 4	<b>S</b>		x 6	
<b>T</b>		x 8	<b>U</b>		x 8	
<b>V</b>		x 1		x 1		x 1

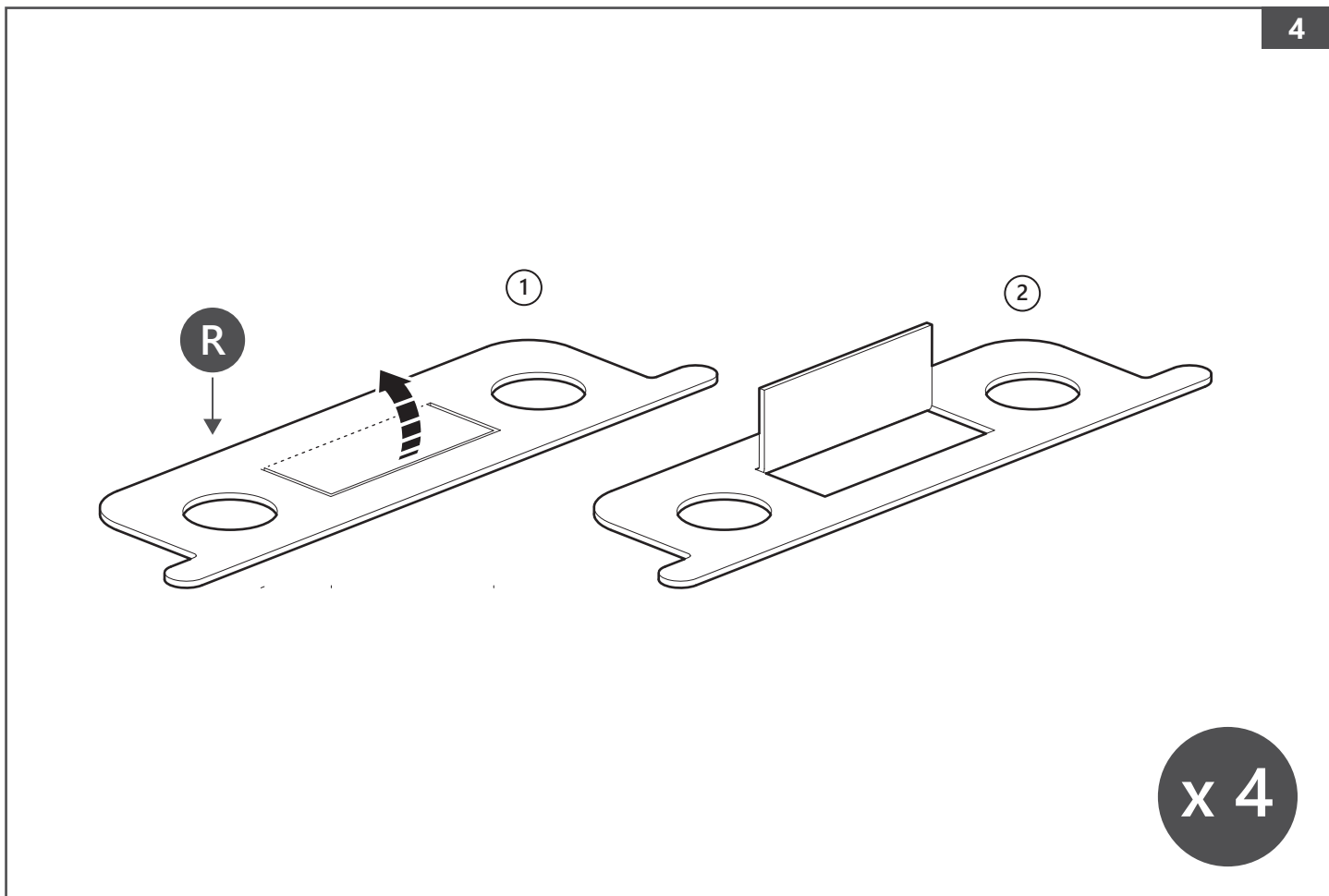
Tools and materials needed	
<p>1-25 Nm</p>  <ul style="list-style-type: none"> <li> 6 mm</li> <li> 10 mm</li> <li> T15</li> </ul>	

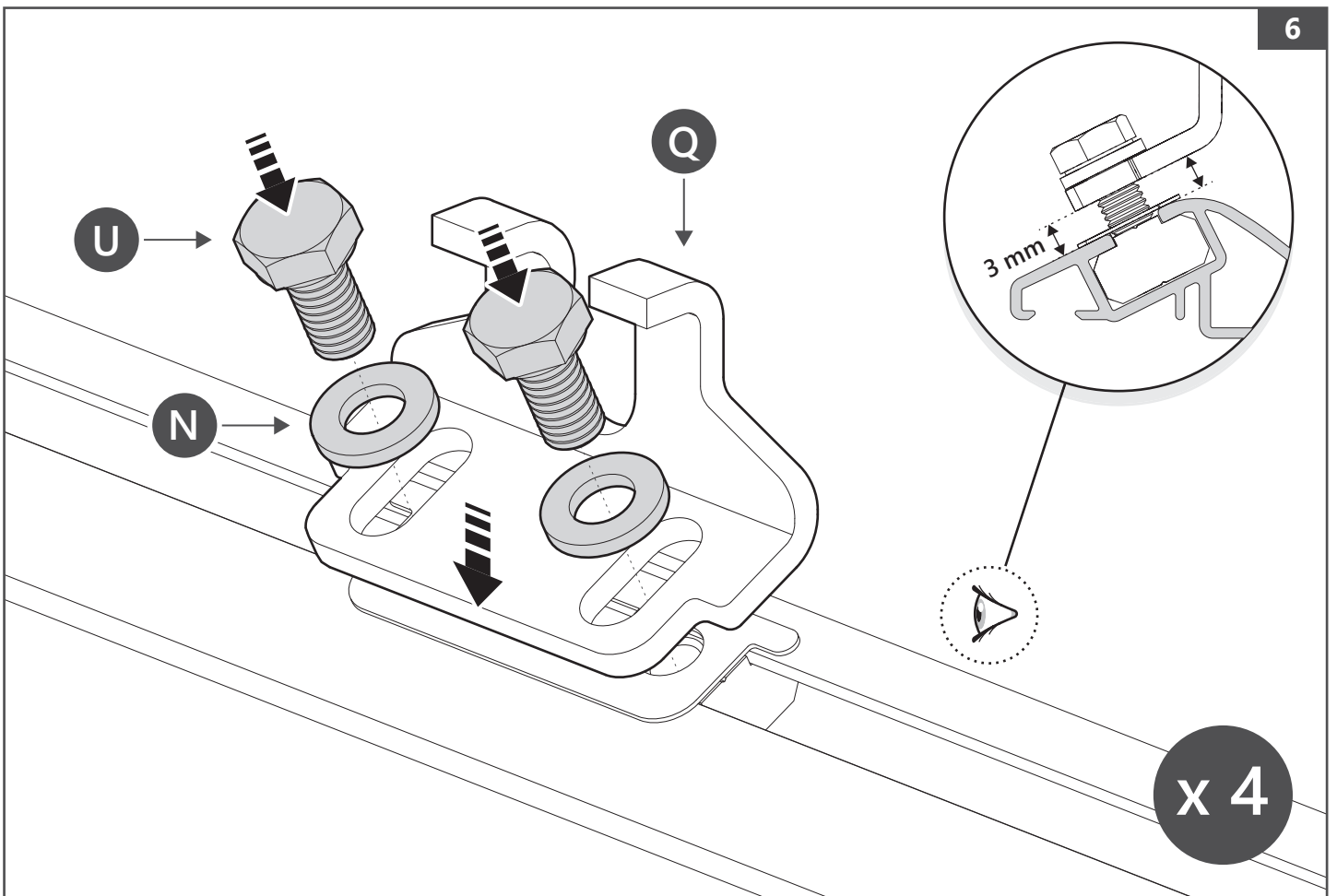
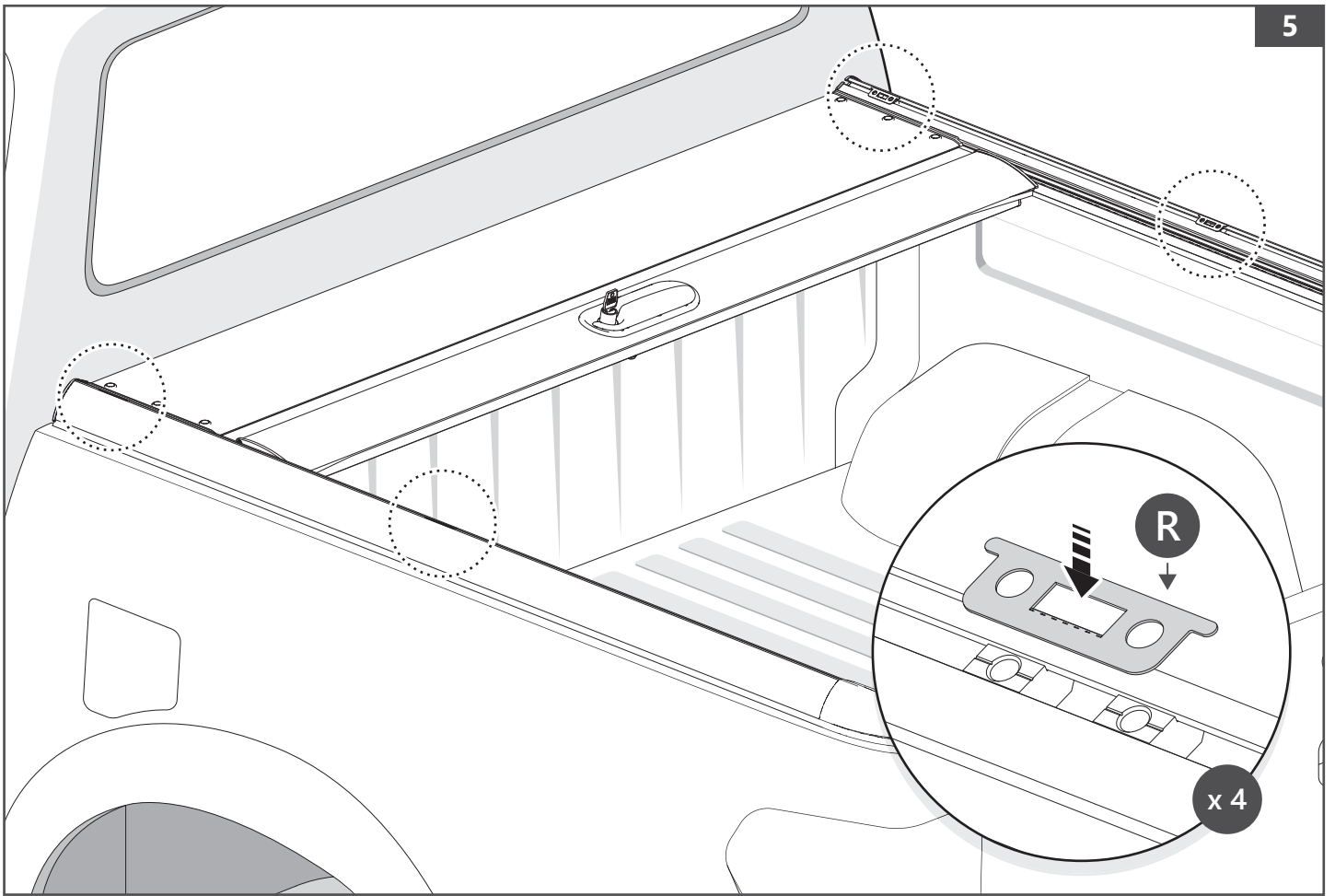


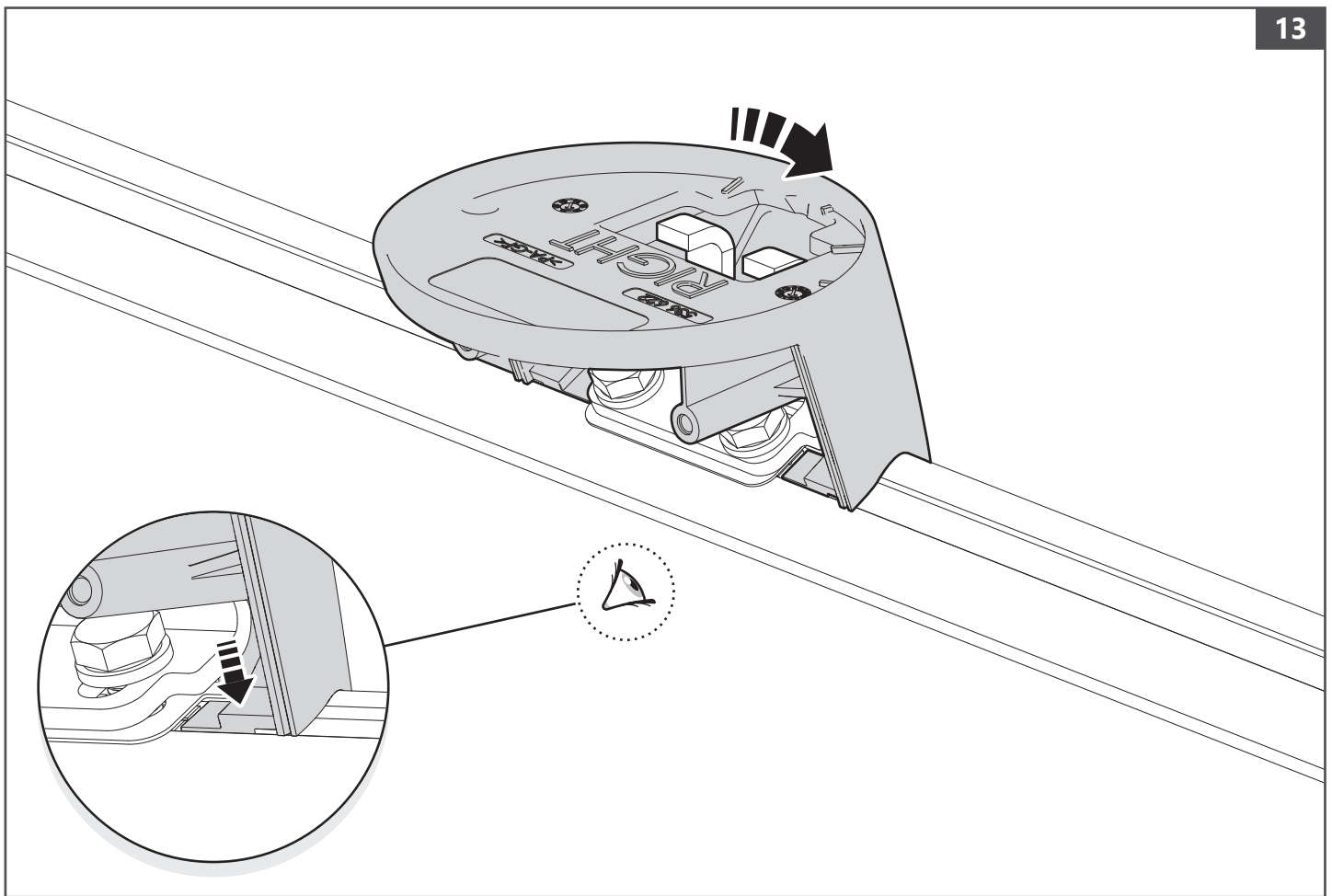
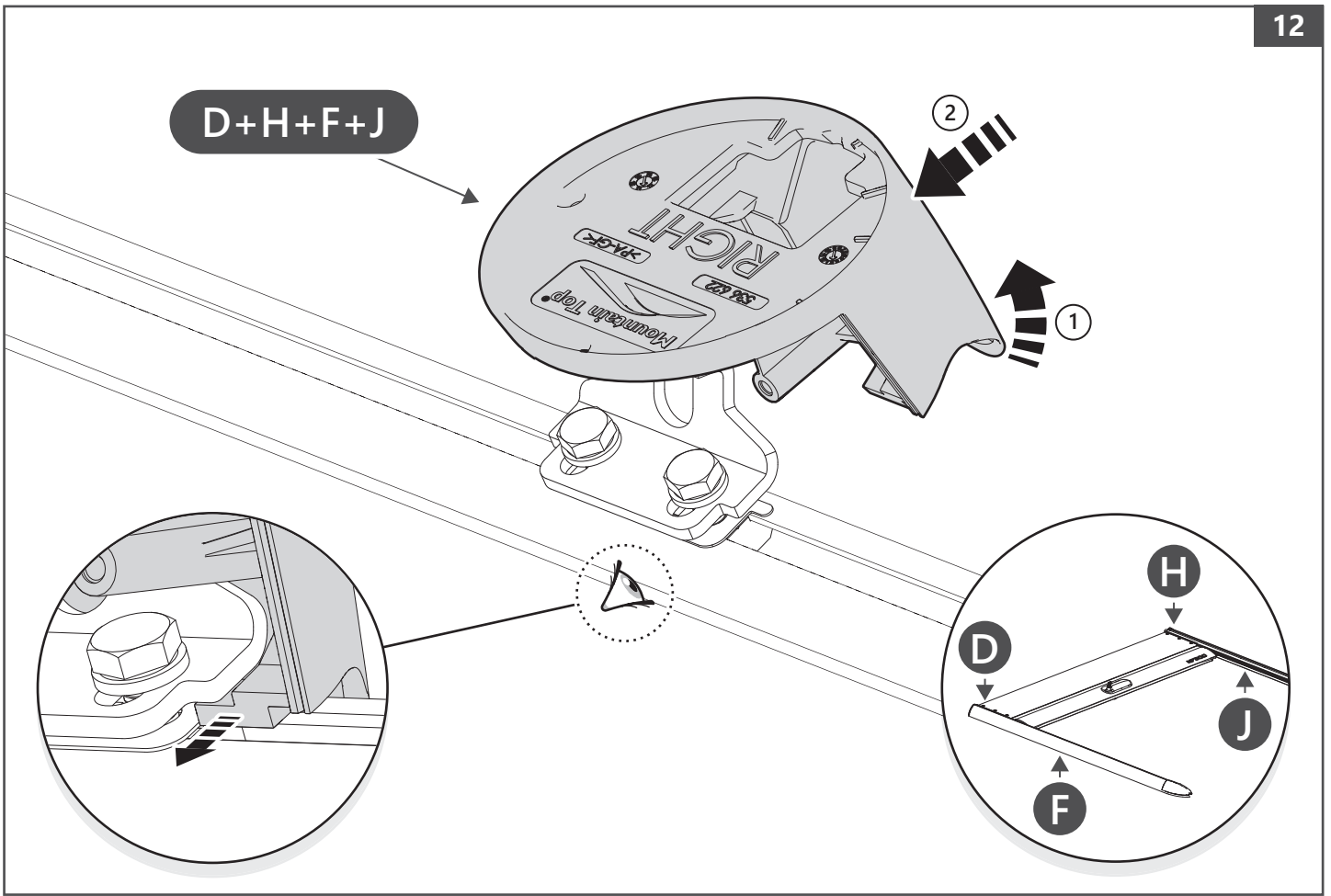
3

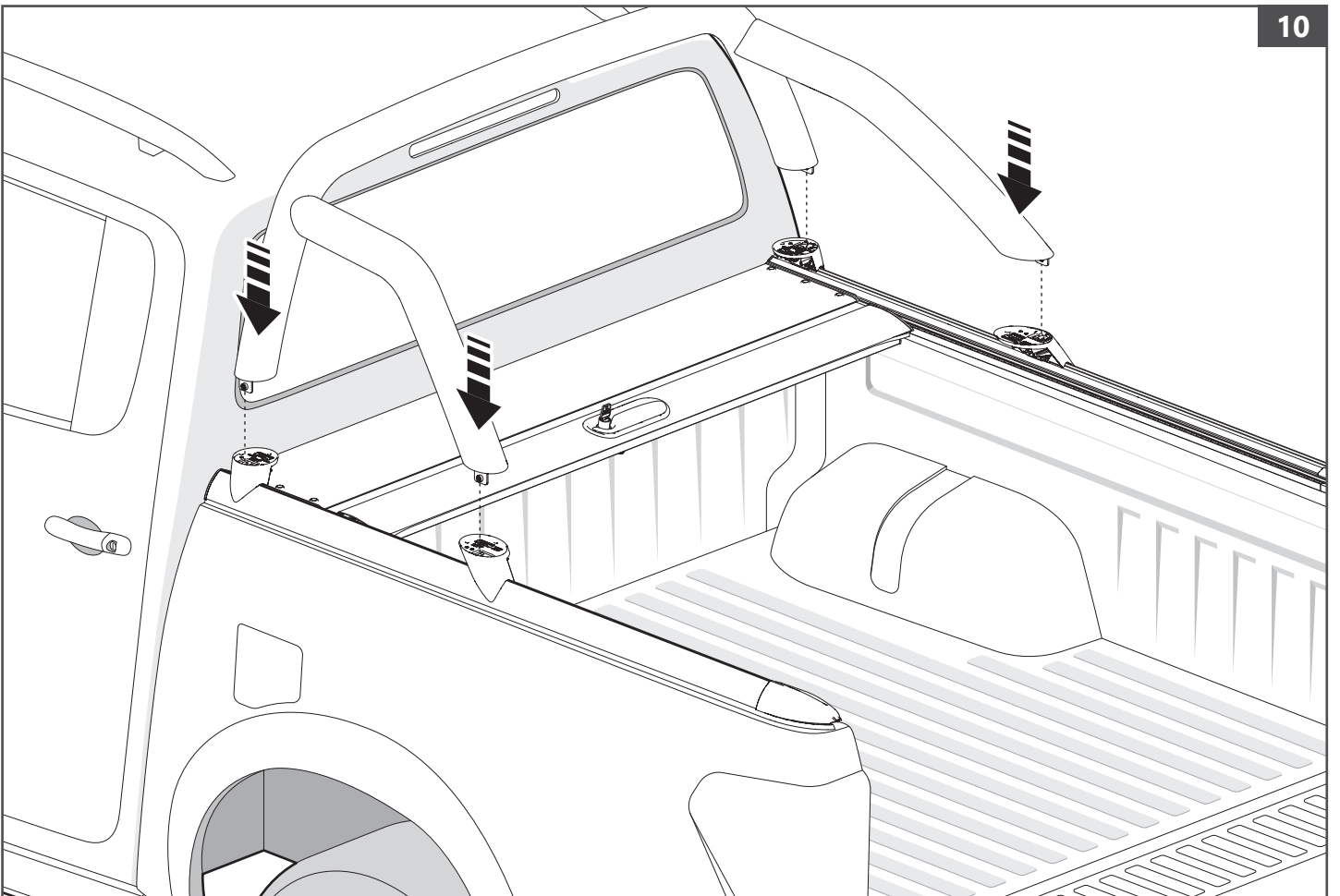
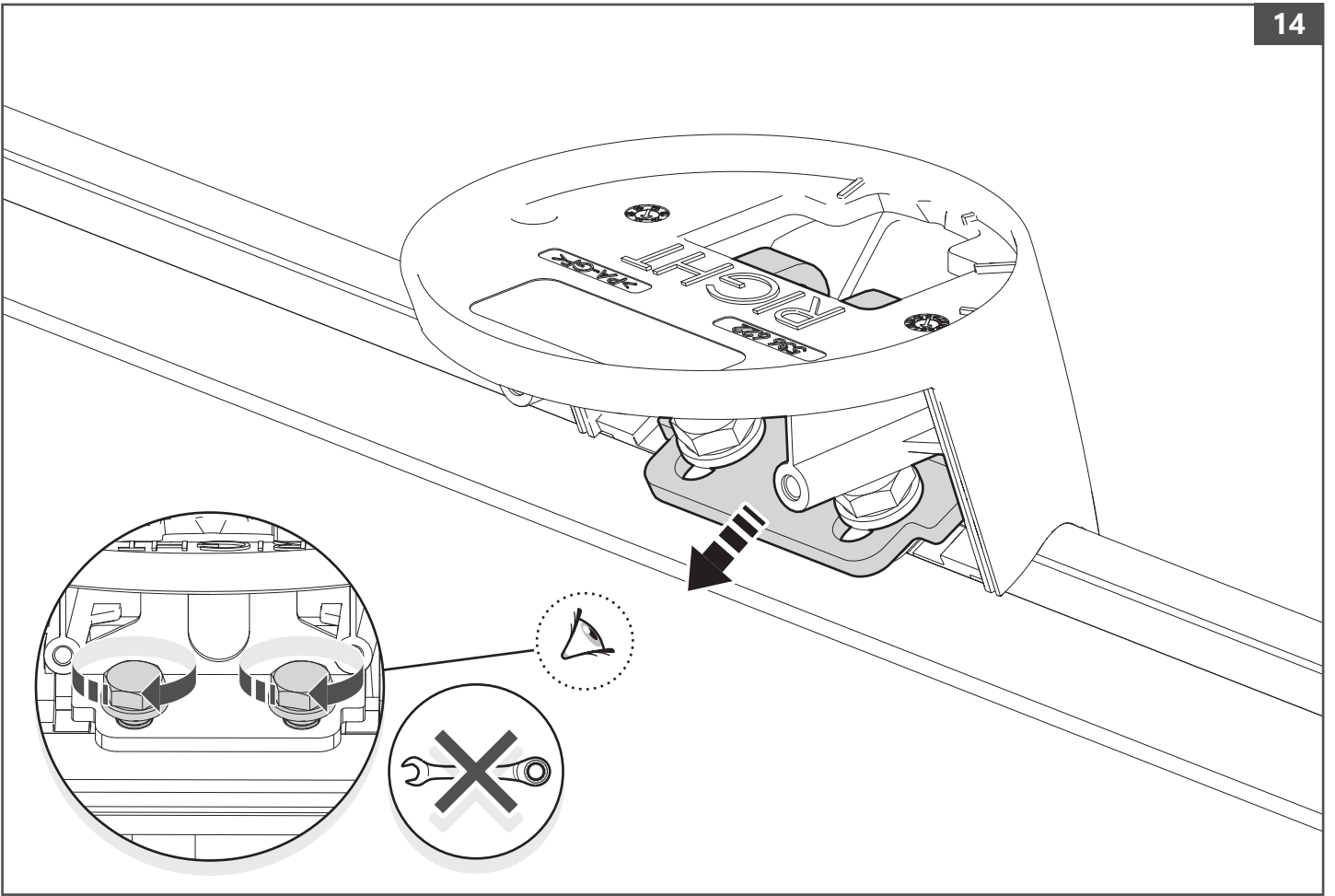


4

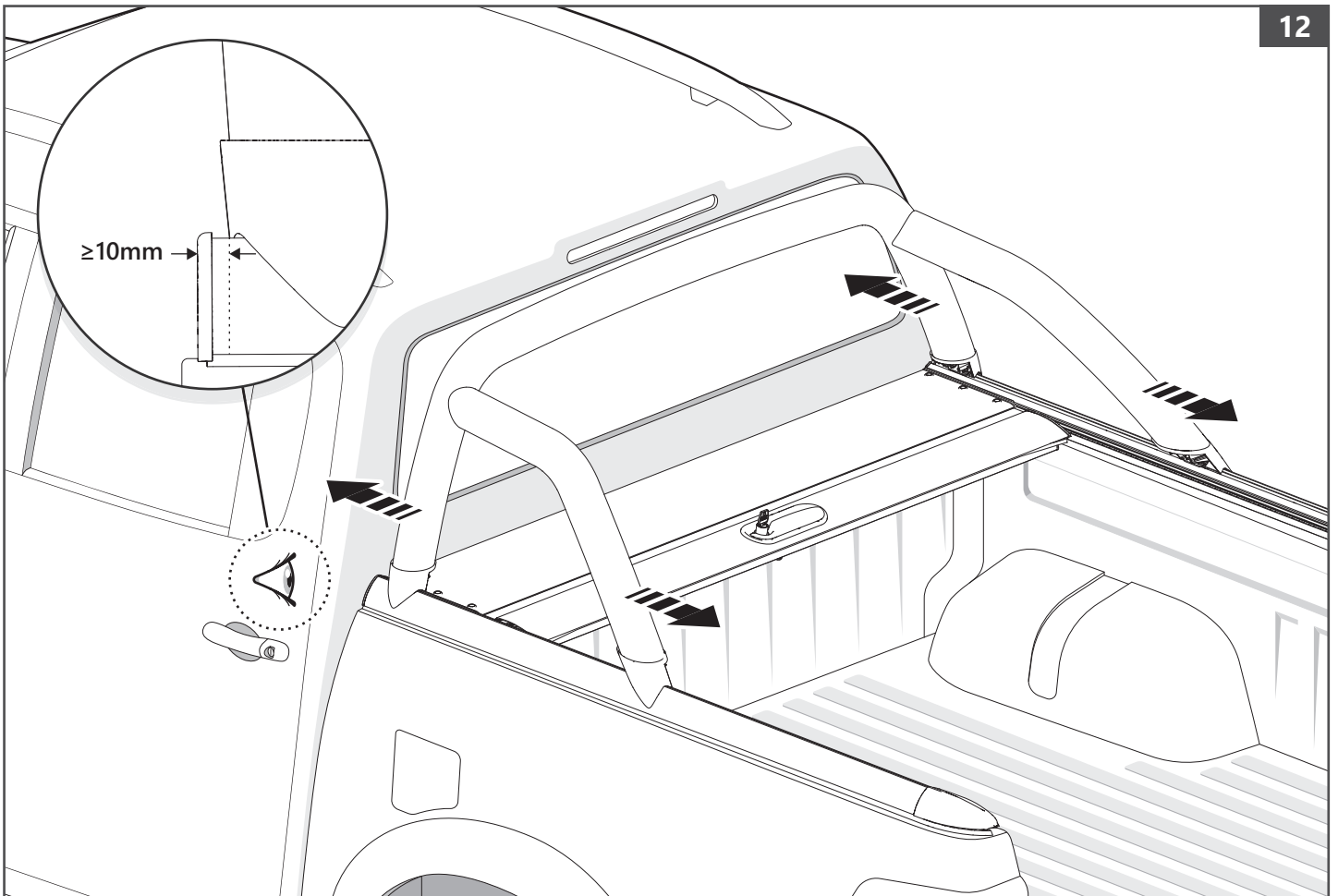
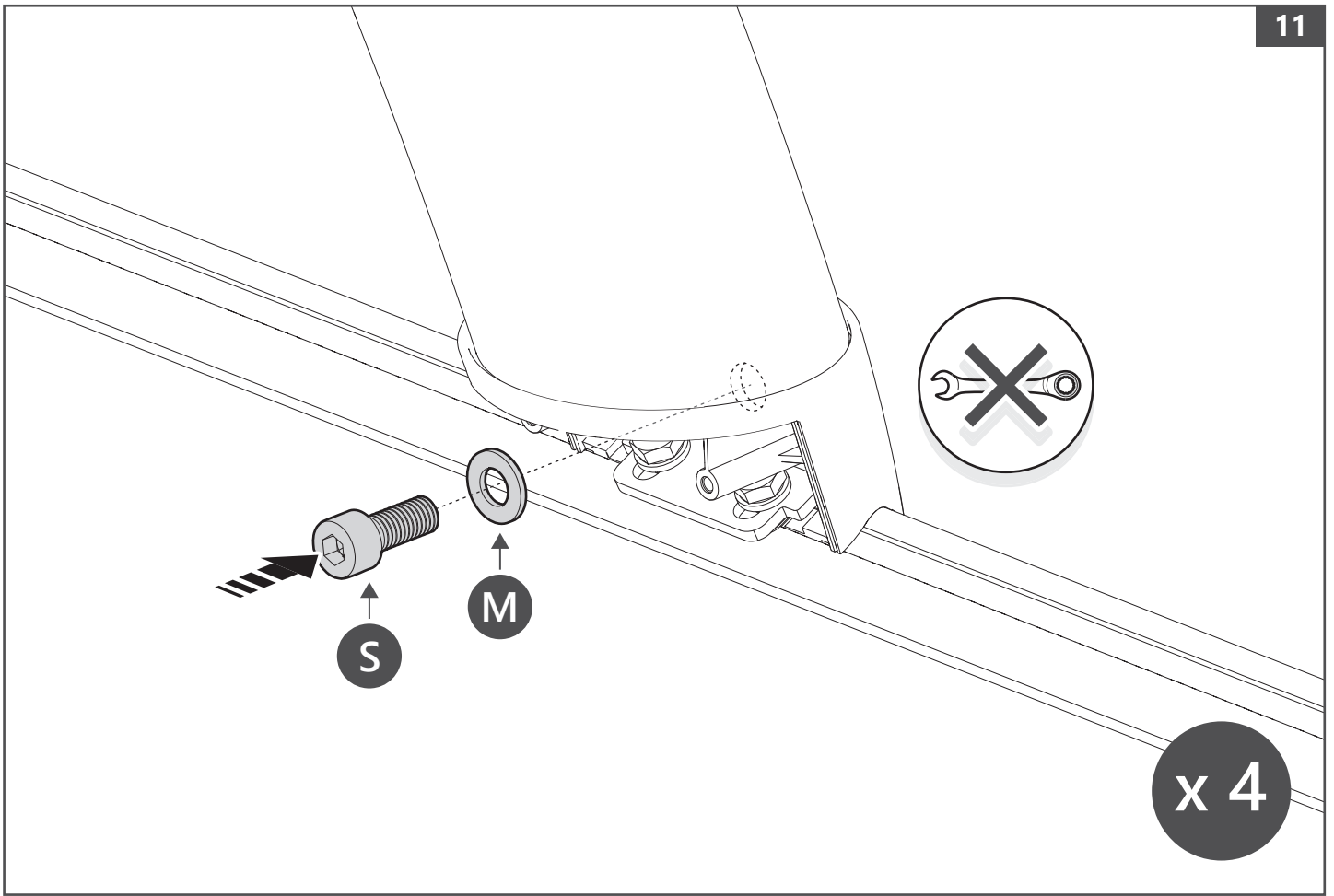


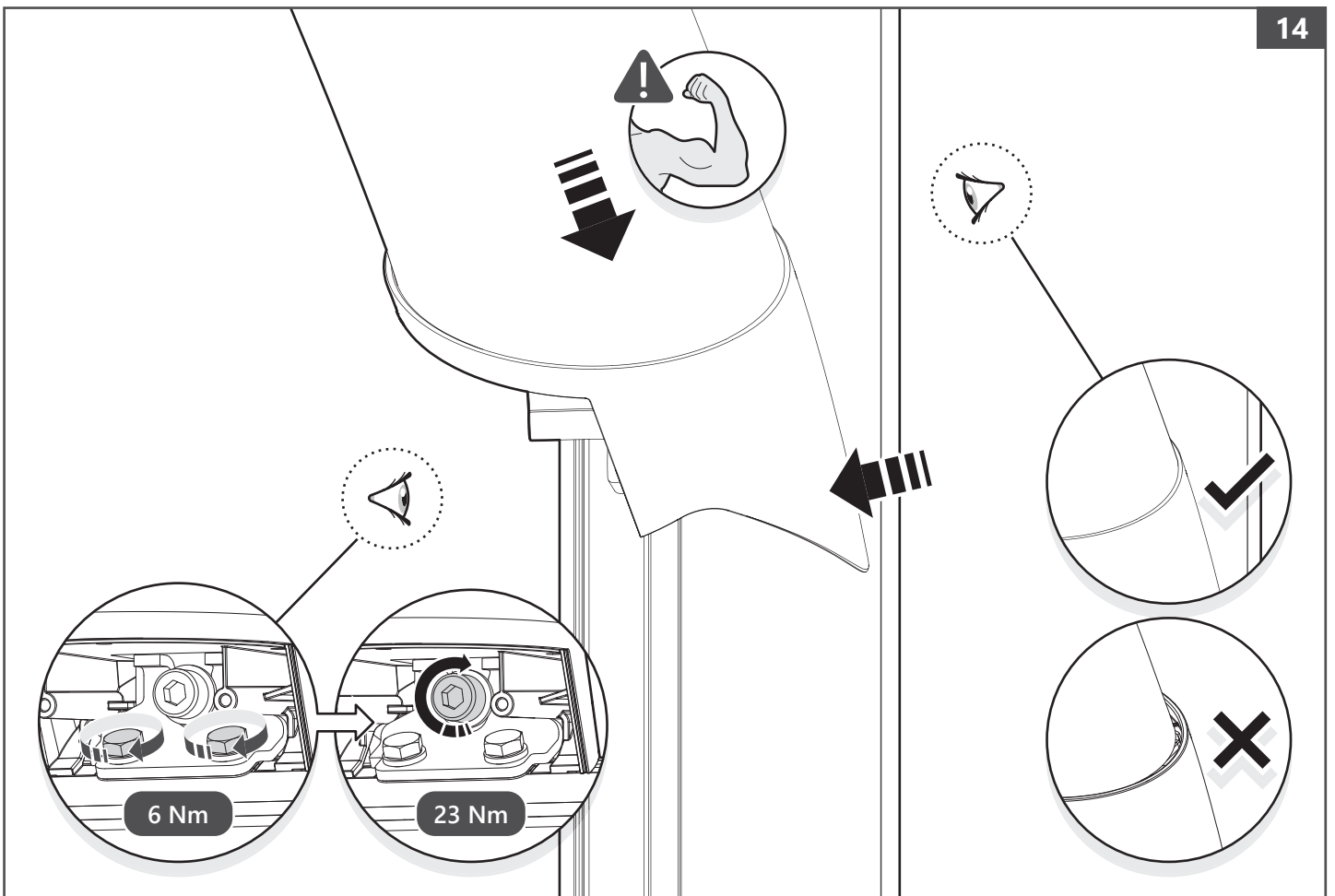
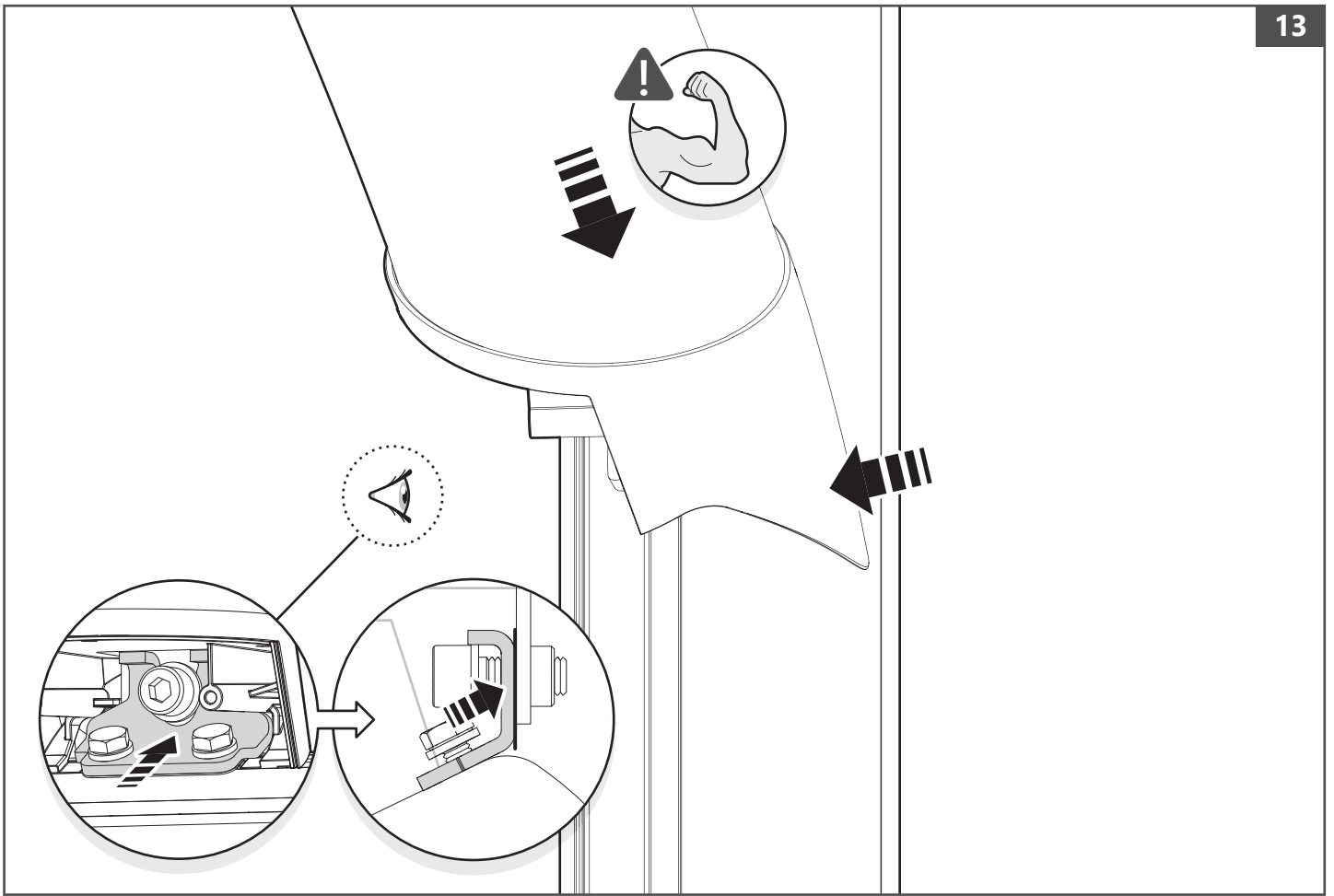


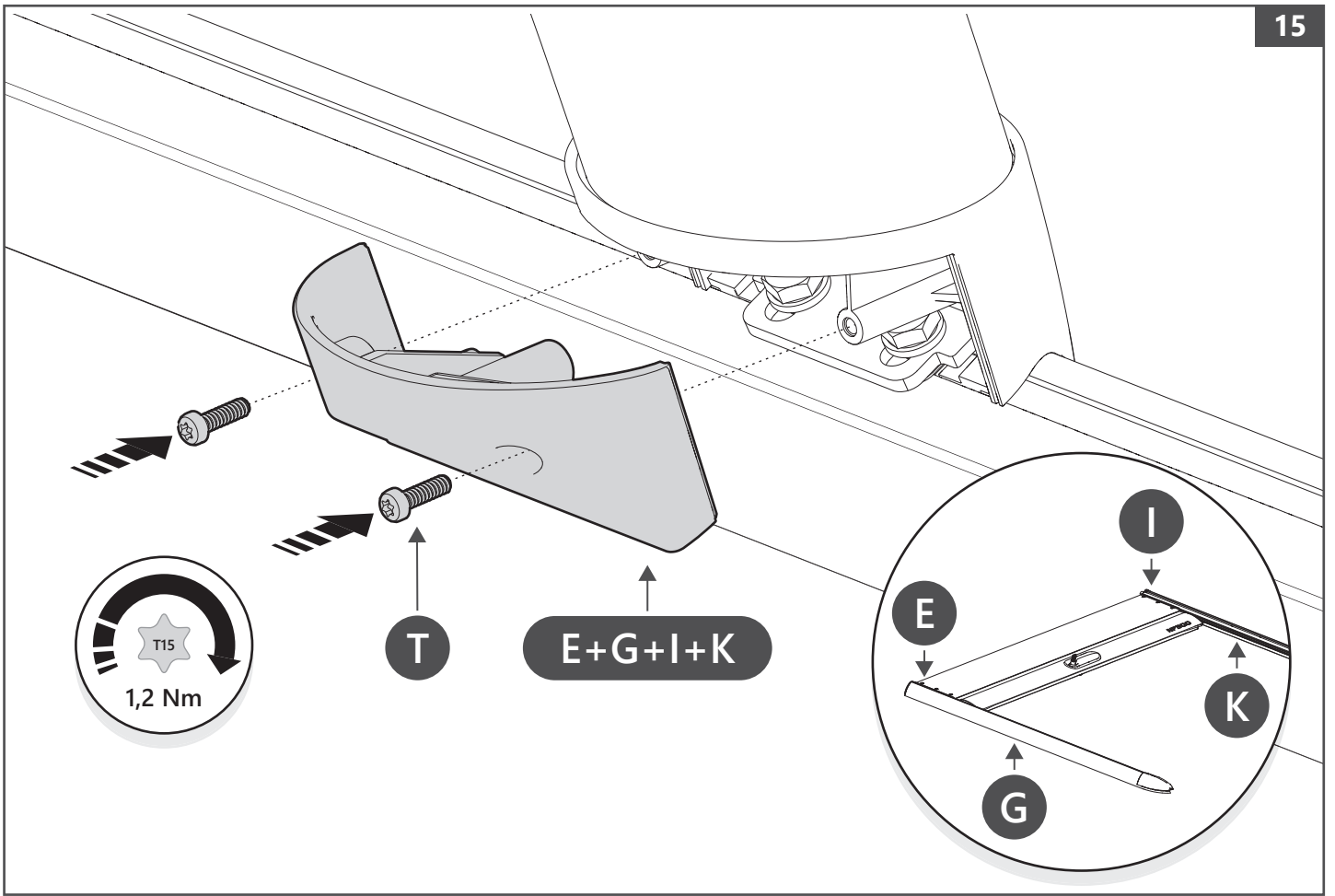














Customer Service +45 4810 2950 (08:00 - 16:00 CET)  
Fax +45 4810 2960  
Support info@mountaintop.dk  
Website www.mountaintop.dk  
Address Pedersholmparken 10, 3600 Frederikssund, Denmark

PART NUMBER(S)	MODEL / YEAR	CAB TYPE(S)	INSTALLATION TIME	WEIGHT
SB FO90/91	Ford 2011 →	Double / Super	1 hour(s)	10 Kg
SB IS90/91	Isuzu 2012 →	Double / Space	1 hour(s)	10 Kg
SB NI90/91	Nissan 2010 →	Double / King	1 hour(s)	10 Kg
SB TO80/81	Toyota 2005 - 2016	Double / Extra	1 hour(s)	10 Kg
SB TO90/91	Toyota 2016 →	Double / Extra	1 hour(s)	10 Kg
SB VW90	Volkswagen 2010 →	Double	1 hour(s)	10 Kg

<b>GB</b> Installation manual	<b>S</b> Monteringsanvisning	<b>D</b> Einbauanleitung
<b>SF</b> Asennusohje	<b>E</b> Instrucciones de montaje	<b>CZ</b> Návod k instalaci
<b>F</b> Notice de montage	<b>H</b> Szerelési utasítás	<b>I</b> Istruzioni de montaggio
<b>PL</b> Instrukcja montażu	<b>P</b> Instruções de instalação	<b>GR</b> Οδηγίες Εγκατάστασης
<b>NL</b> Installatie-instructies	<b>RUS</b> Инструкция по установке	<b>DK</b> Monteringsvejledning
<b>TR</b> Montaj Talimatı	<b>N</b> Monteringsveiledning	<b>RO</b> Instructiuni de instalare