

Mountain Top® Sports Bar

Installation manual

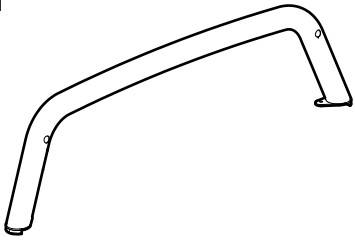


DOWNLOAD PDF



Parts

A



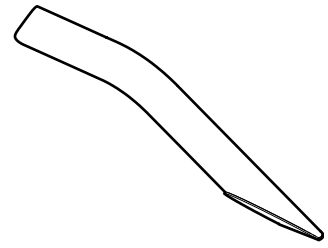
x 1

B



x 1

C

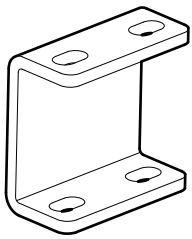


x 1



Kit

D

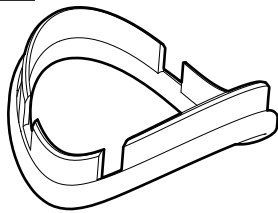


x 2



Kit

E



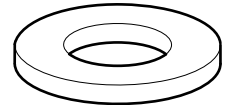
x 2

F



x 2

G



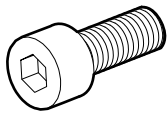
M8

x 2



Kit

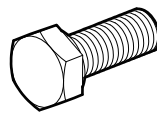
H



M8x20

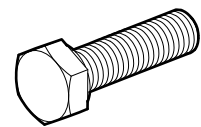
x 2

I



M8x20

J

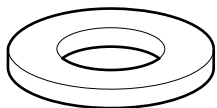


x 8

M8x30

x 2

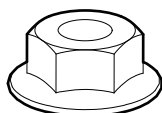
K



M8

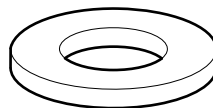
x 10

L



x 6

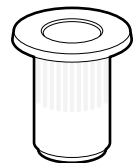
M



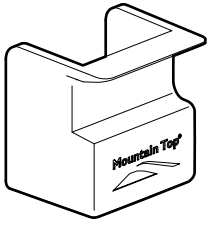
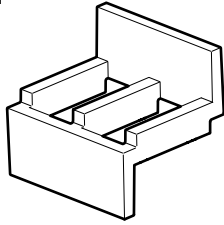
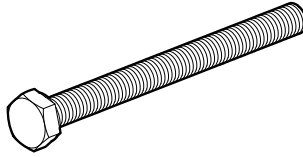
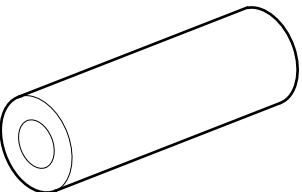

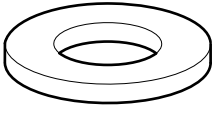
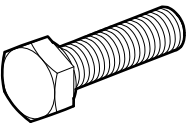
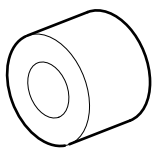
M10

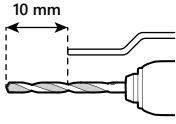
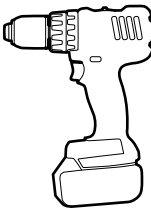
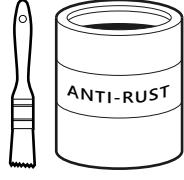
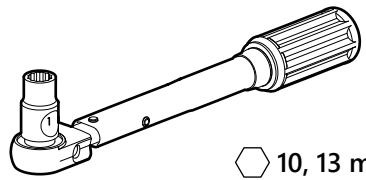

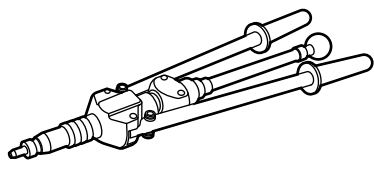
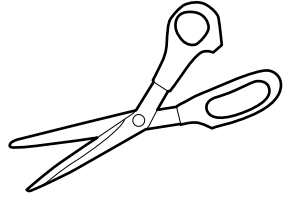
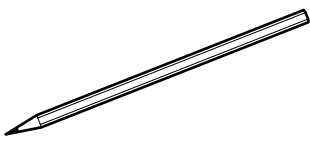
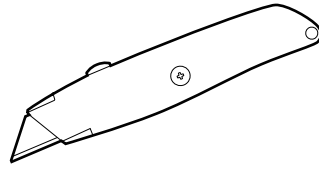
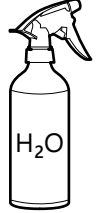
x 2

N



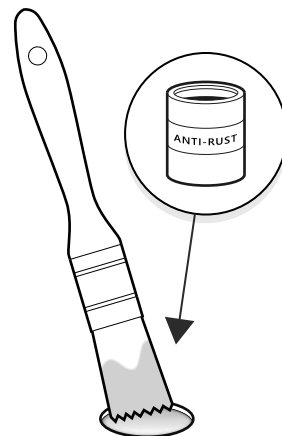
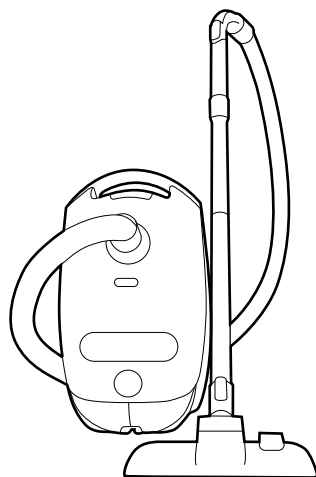
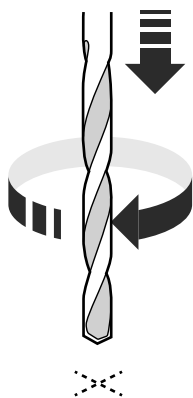
x 2

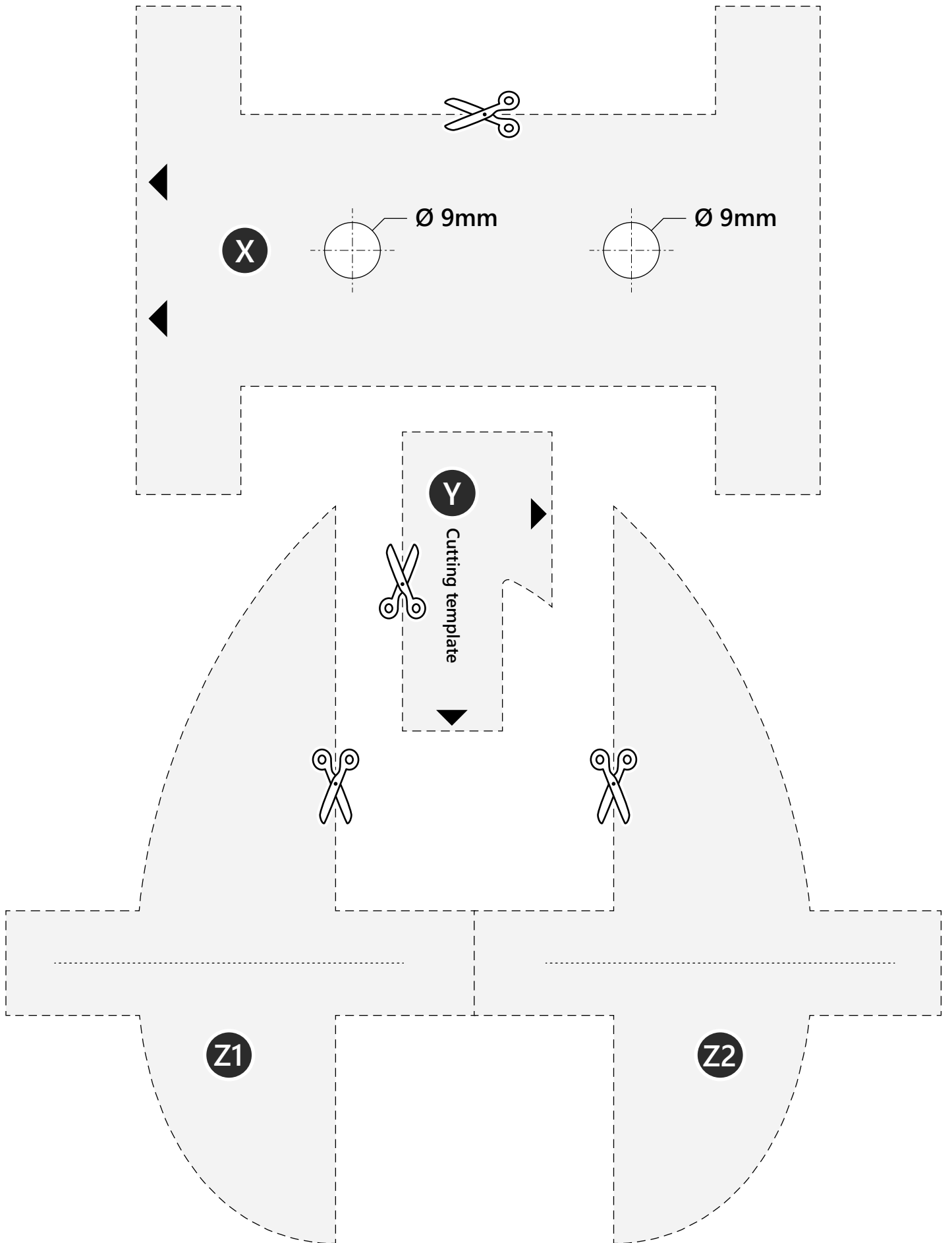
Kit			
O		P	
	x 2		x 2
Q		R	
	M8x90		x 2
S		T	
	x 2		x 4
U		V	
	M8x30		x 2

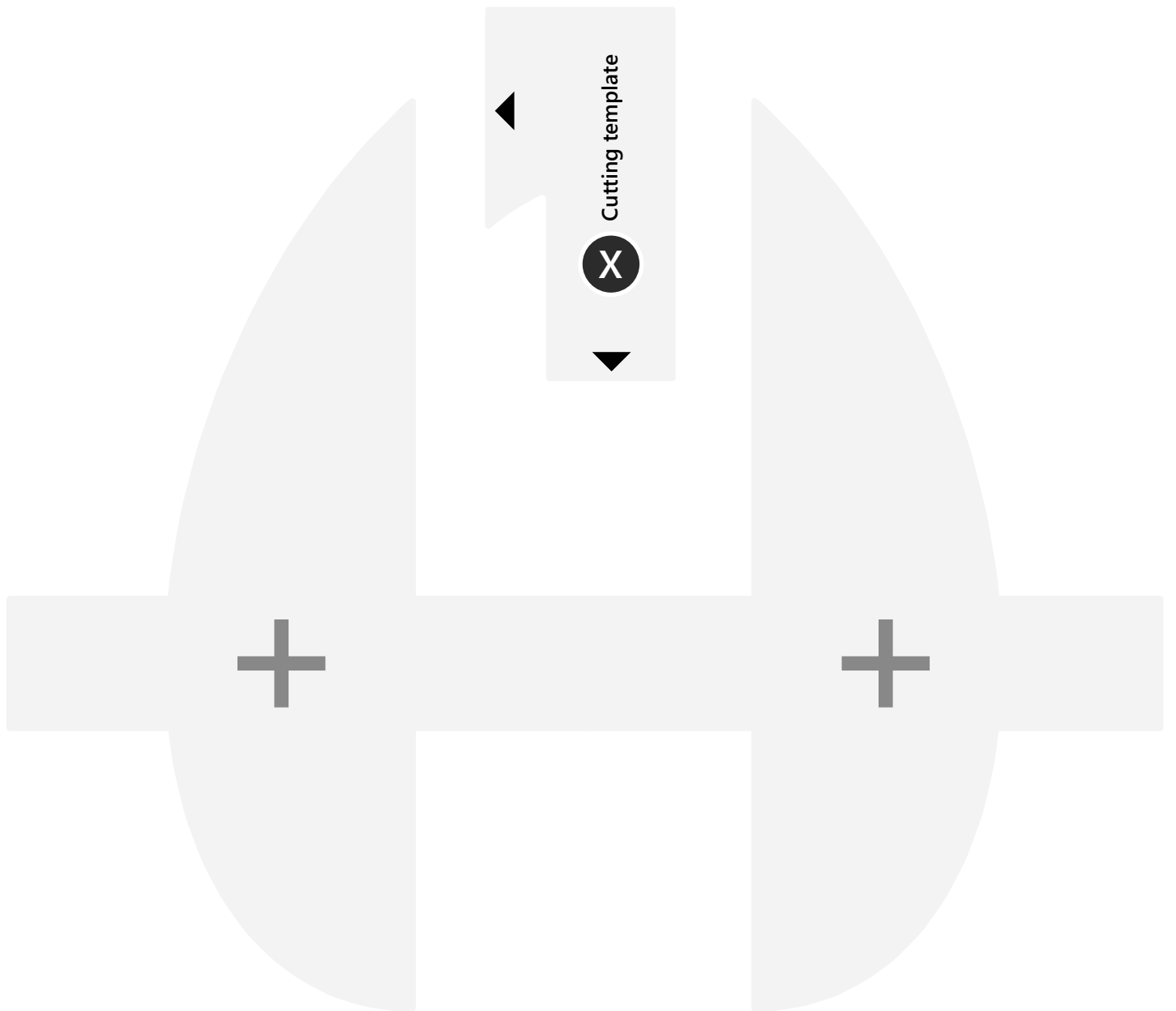
Tools and materials needed		
 <p>10 mm</p> <p>Ø 3 mm Ø 9 mm Ø 13 mm</p> 	 <p>ANTI-RUST</p> <p>Rust protection Rostschutzmittel Anti-rouille Anti roest</p>	<p>1 - 25 Nm</p>  <p>10, 13 mm 6 mm</p>
 <p>SILICONE</p>	 <p>M10</p>	
		 <p>H₂O</p>

1

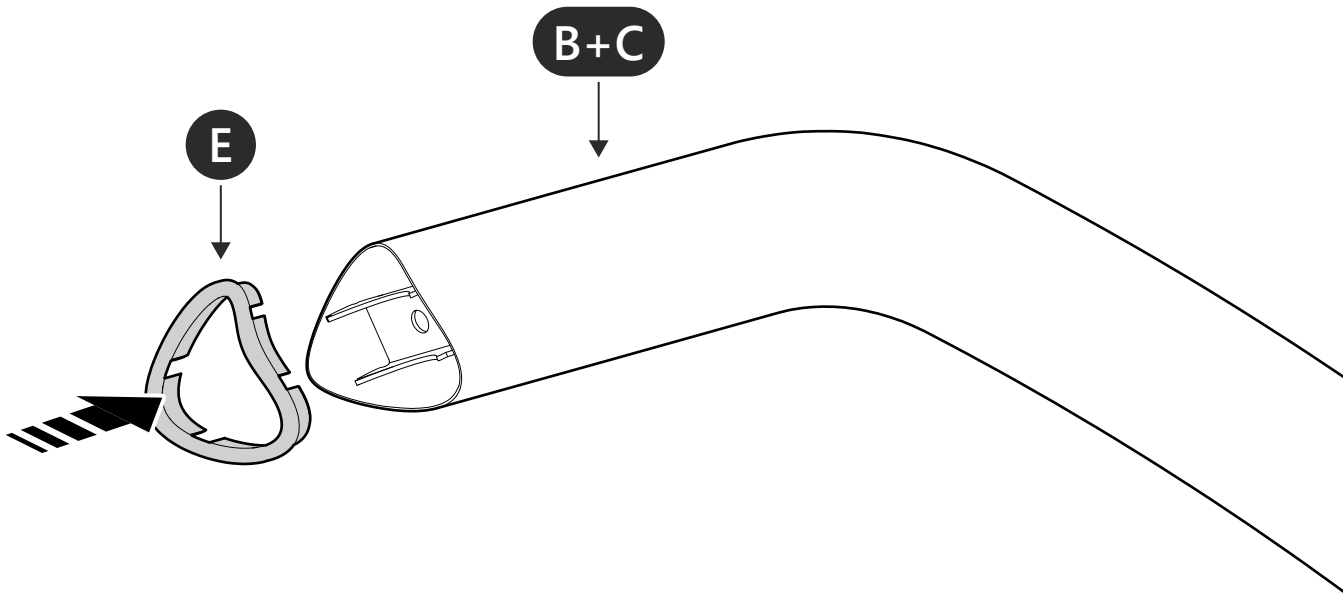
Applying rust protection



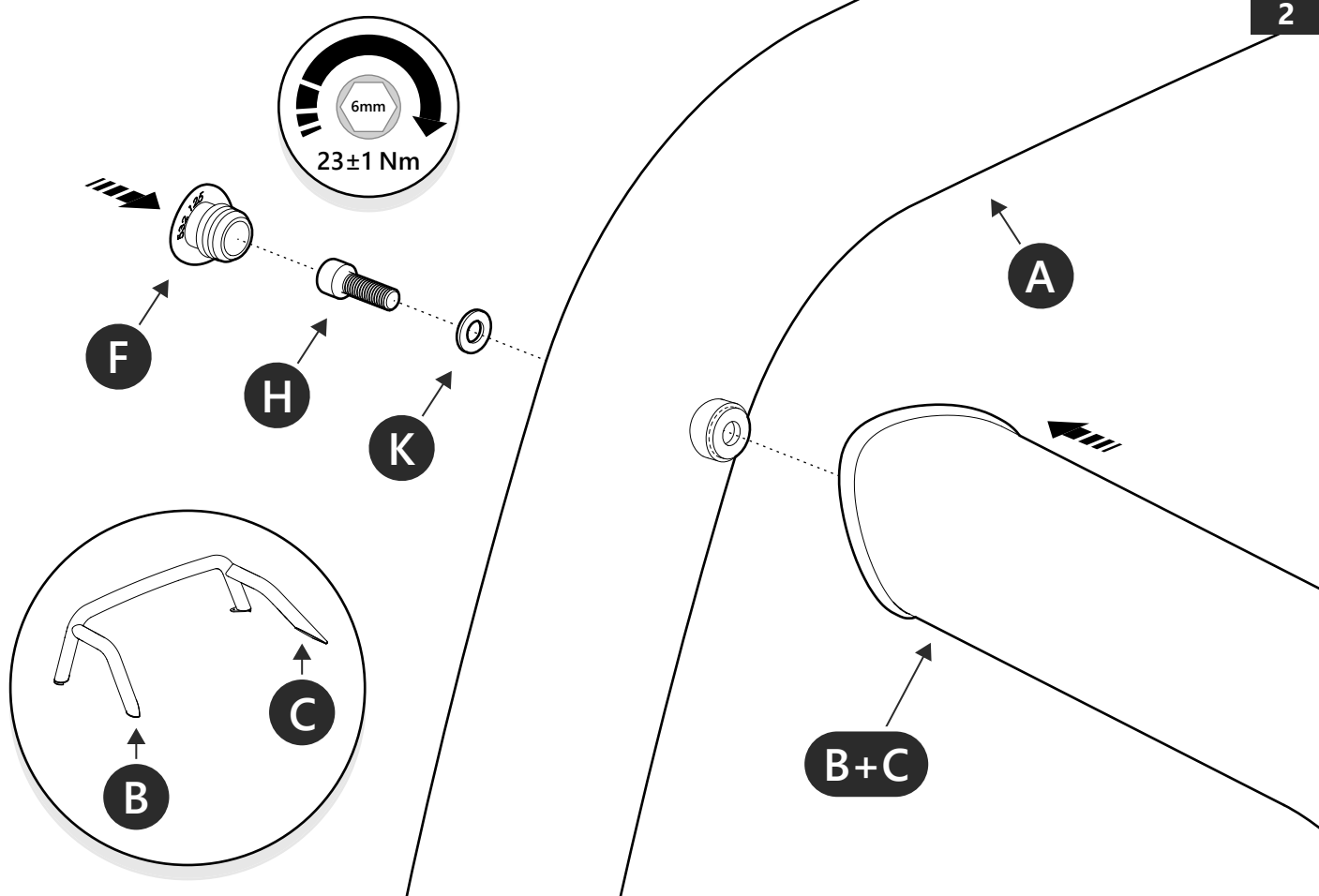


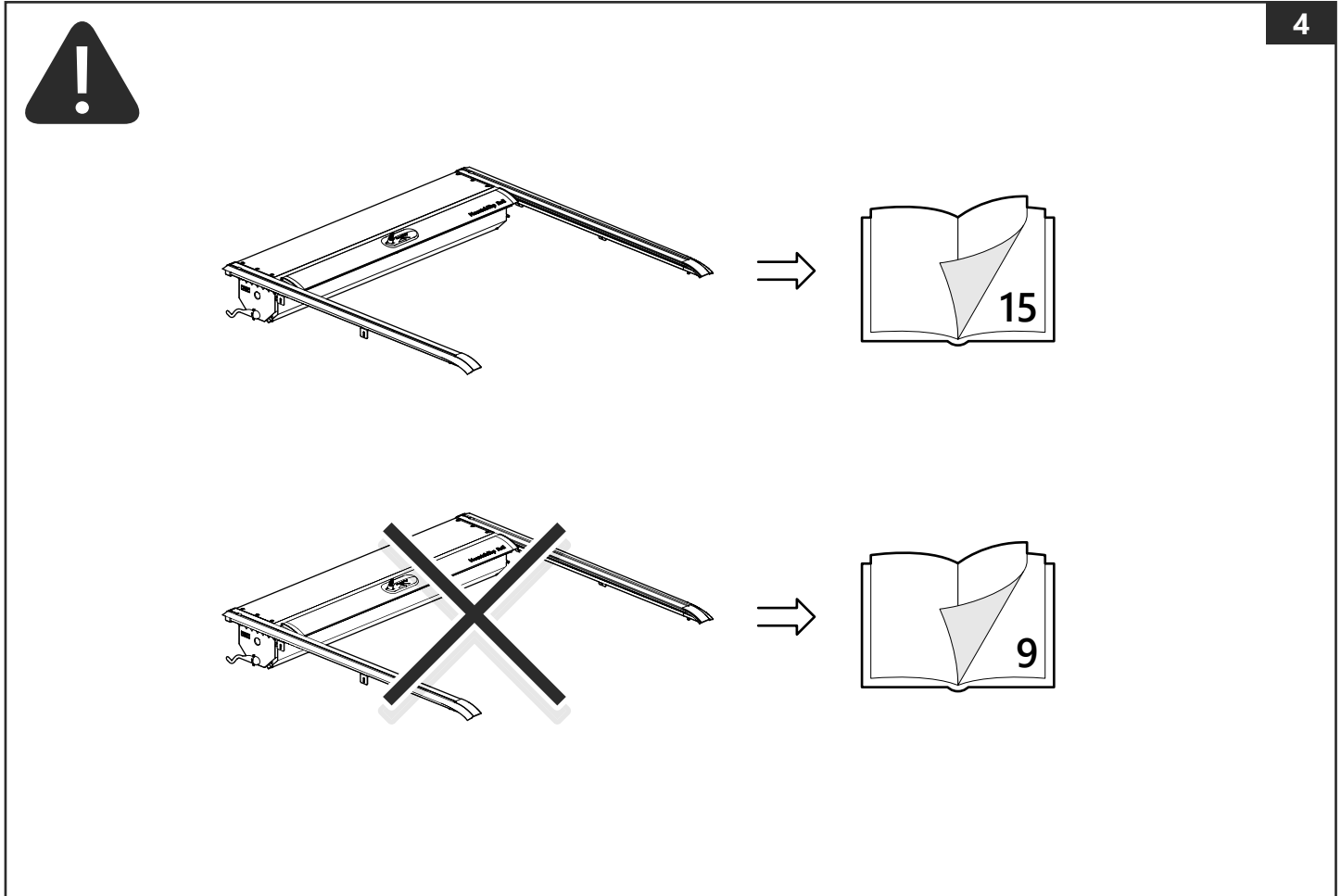
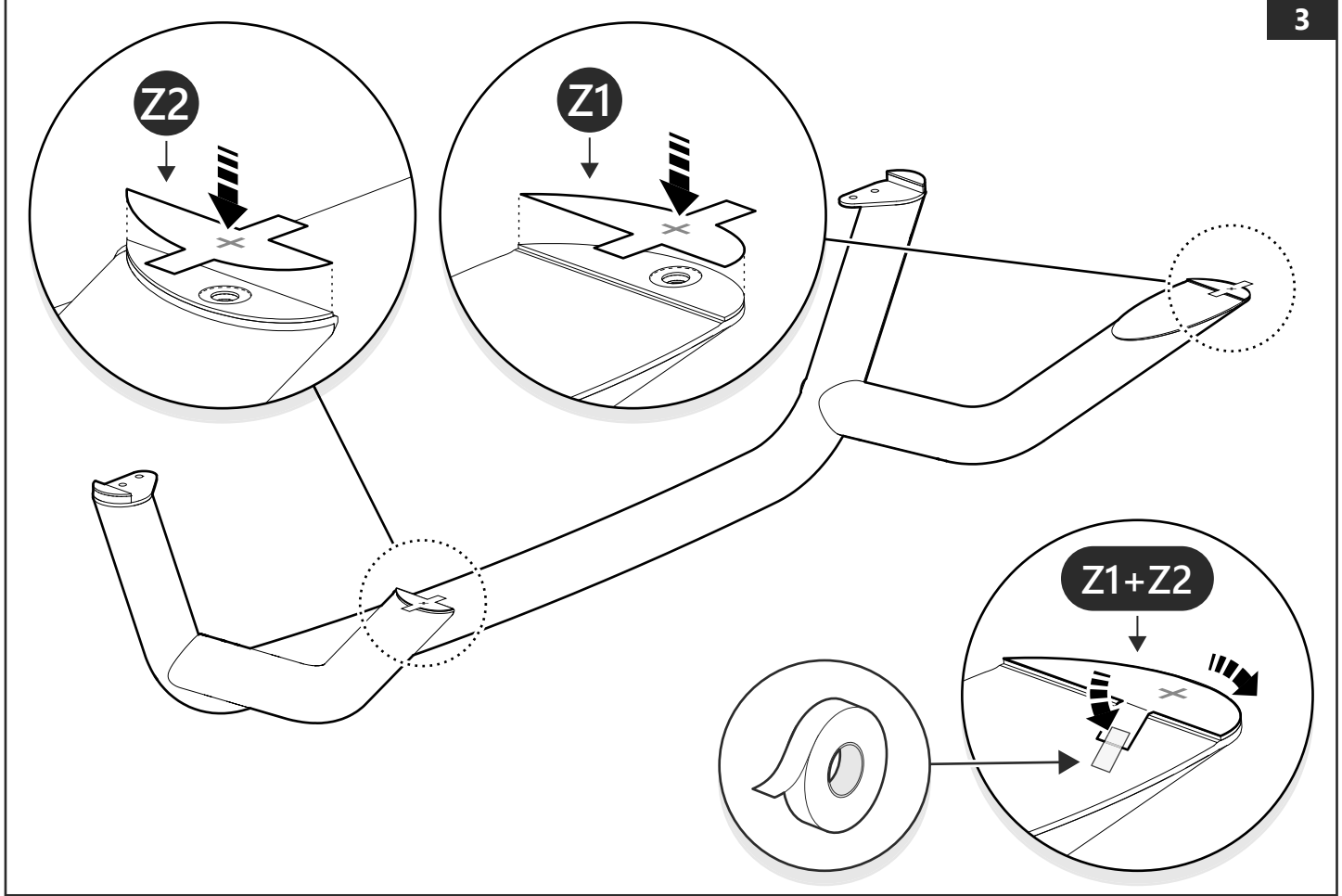


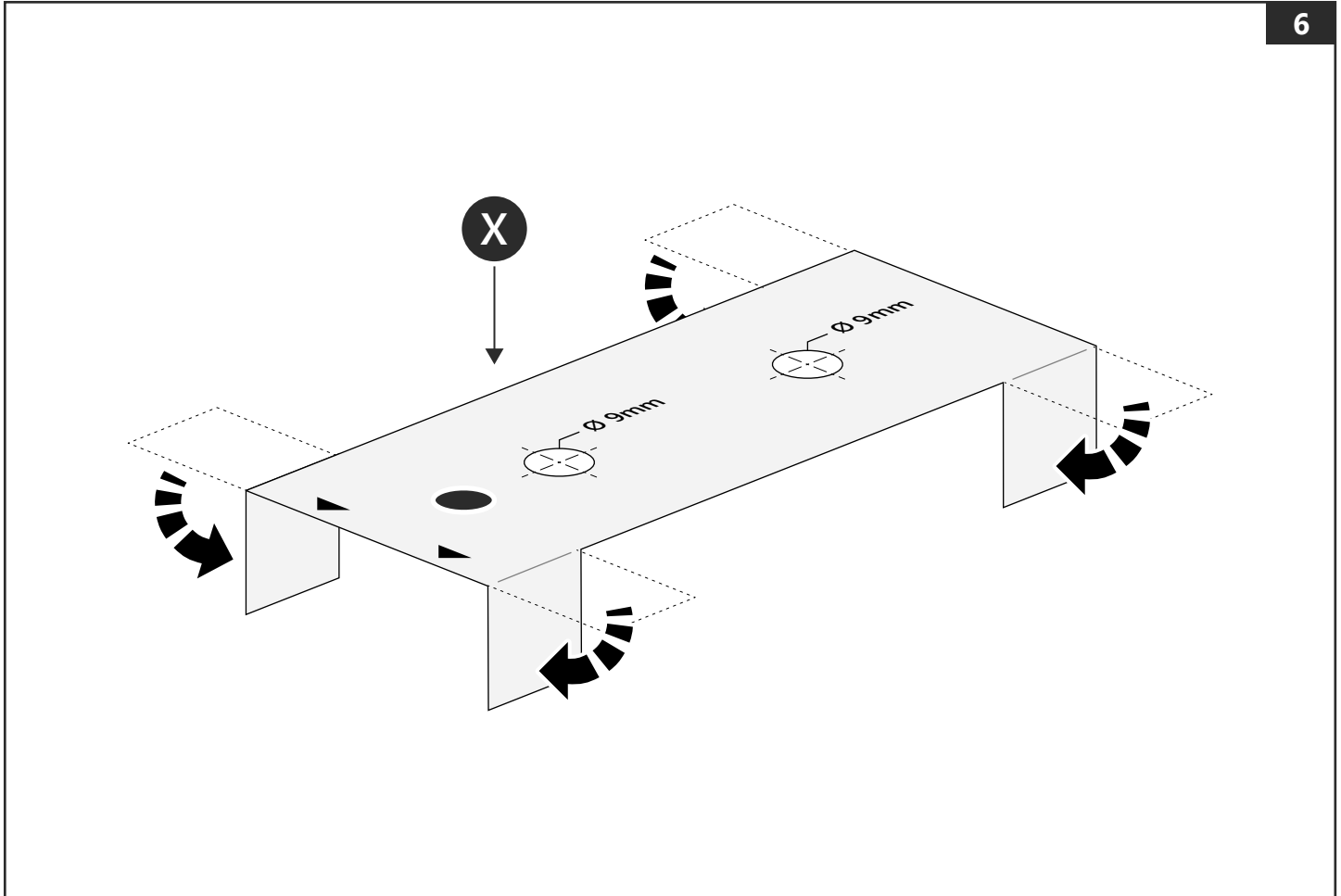
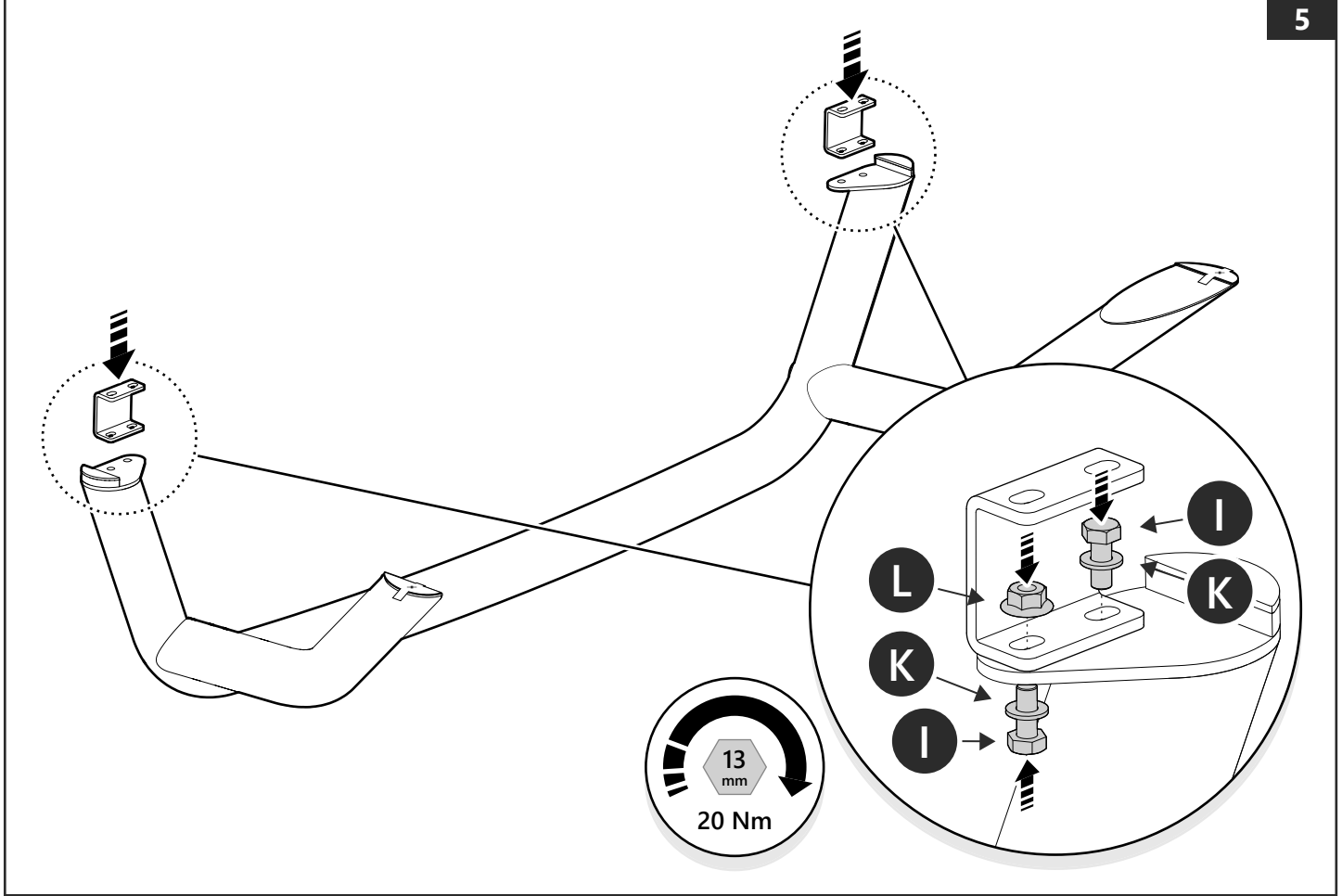
1

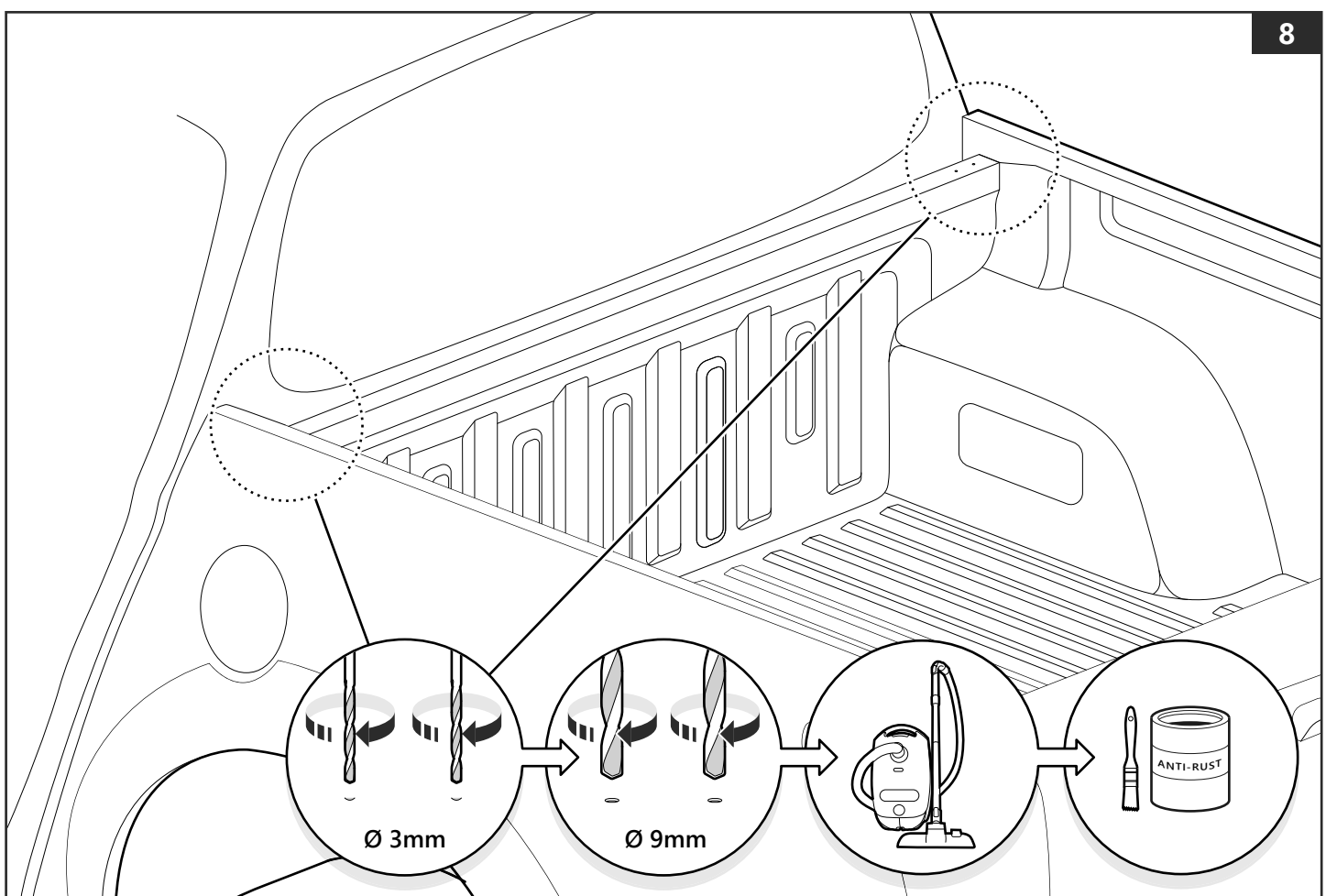
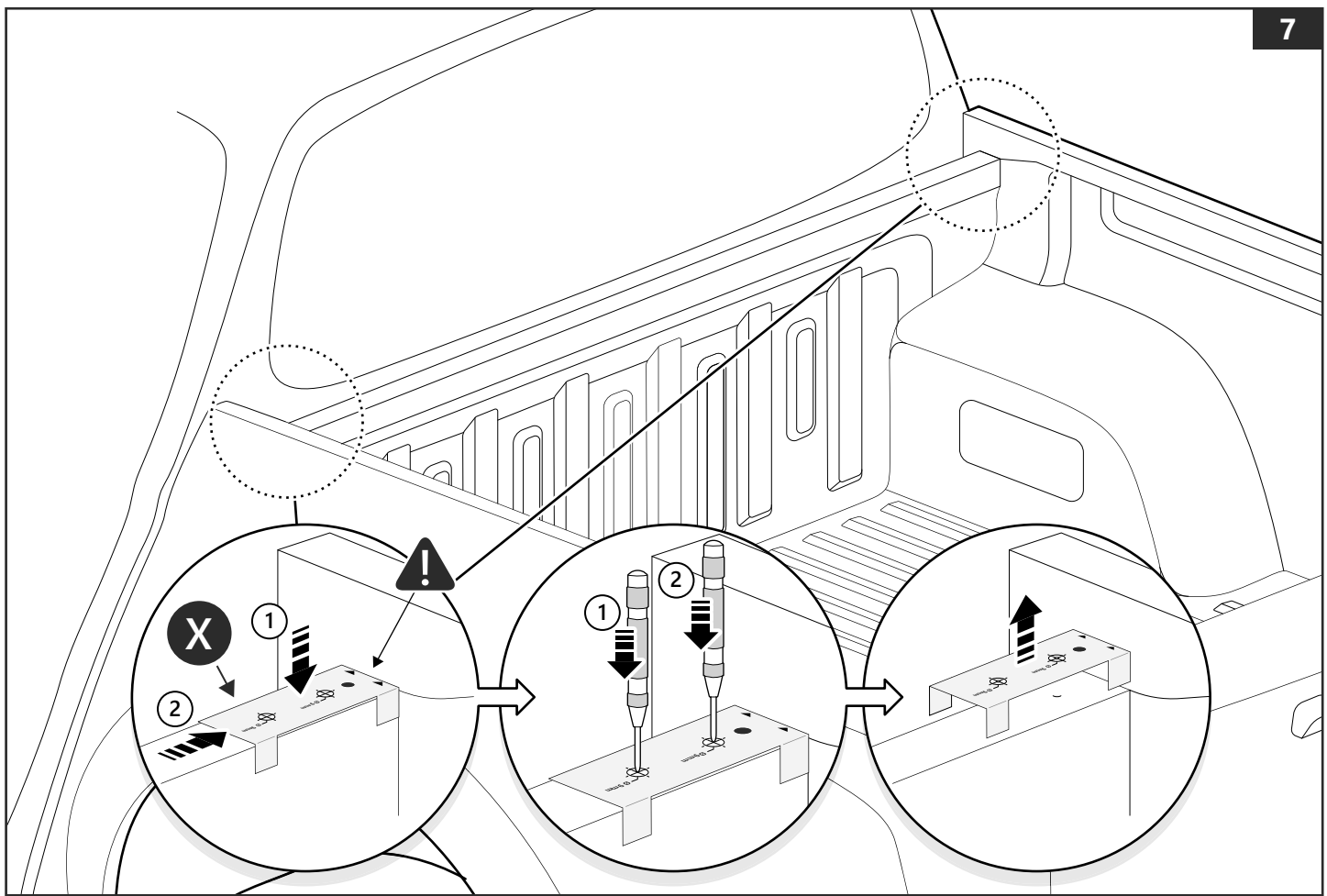


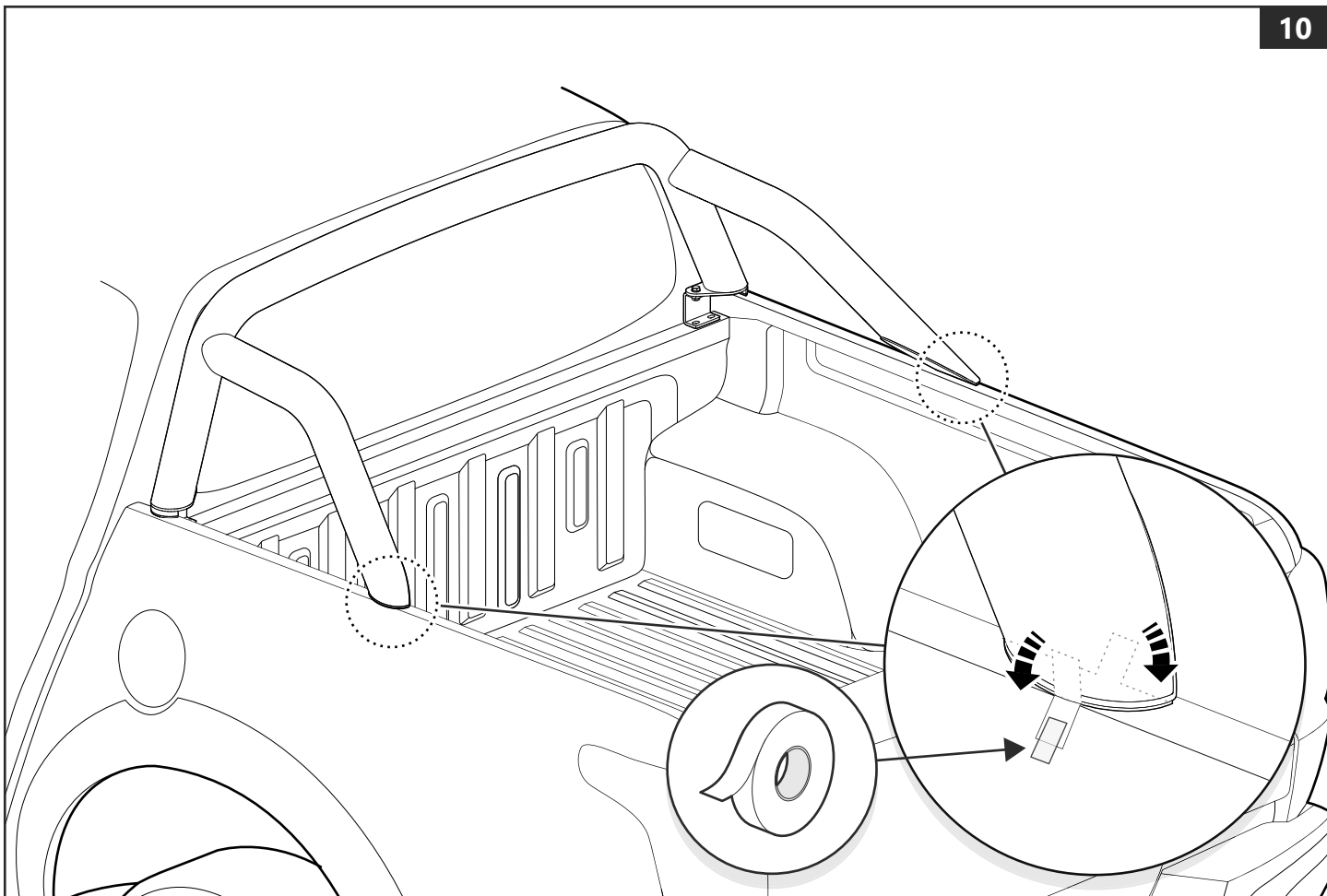
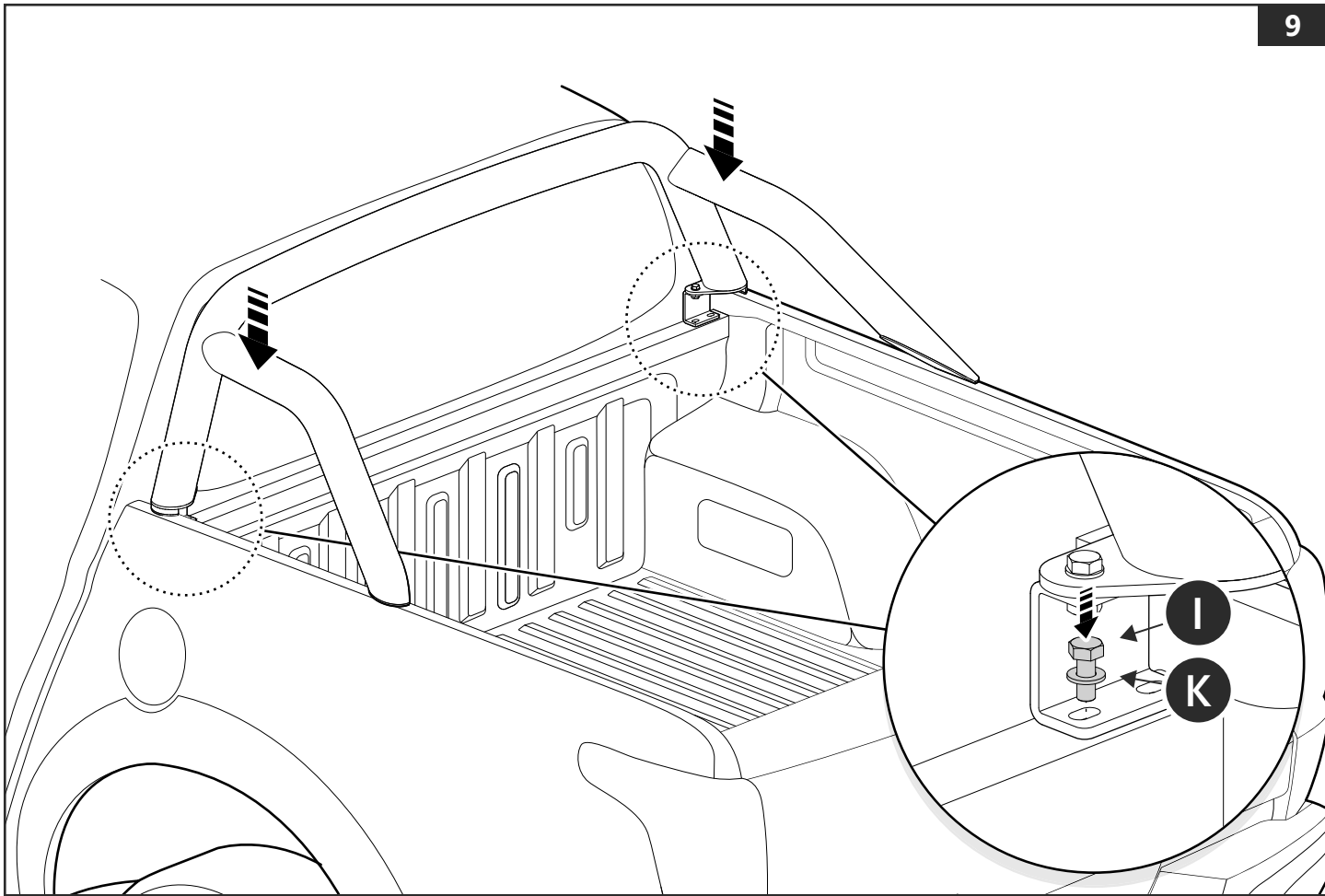
2

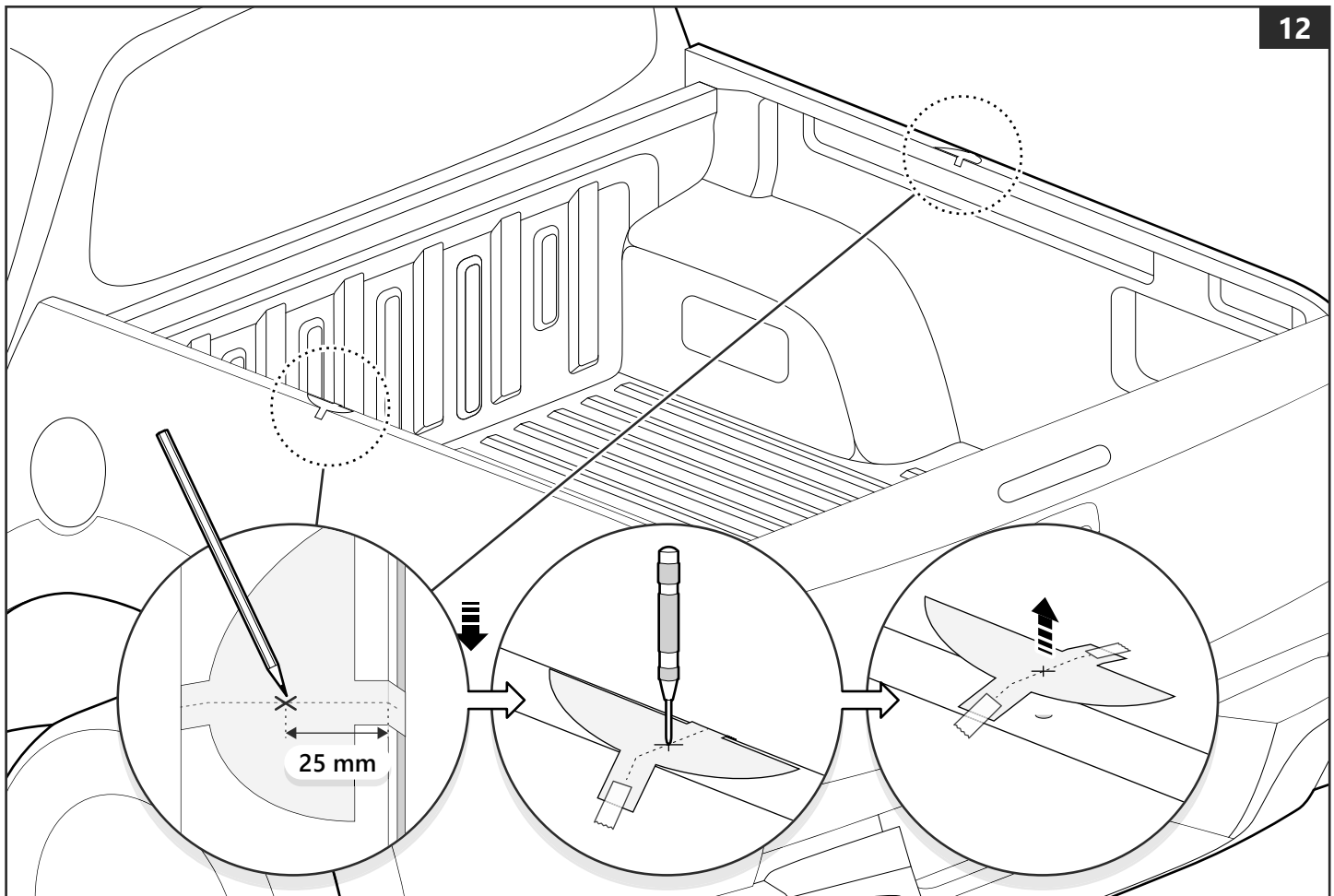
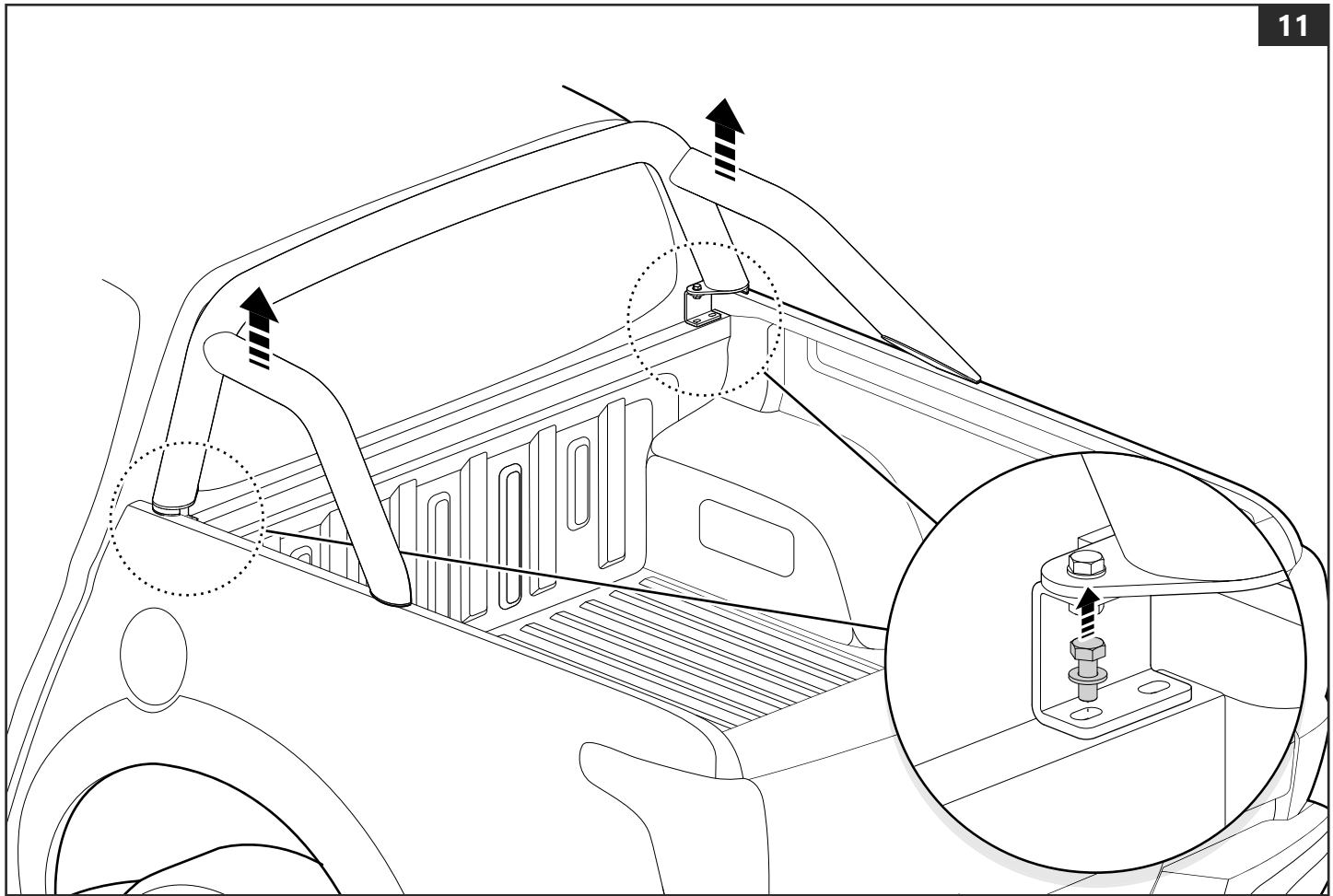


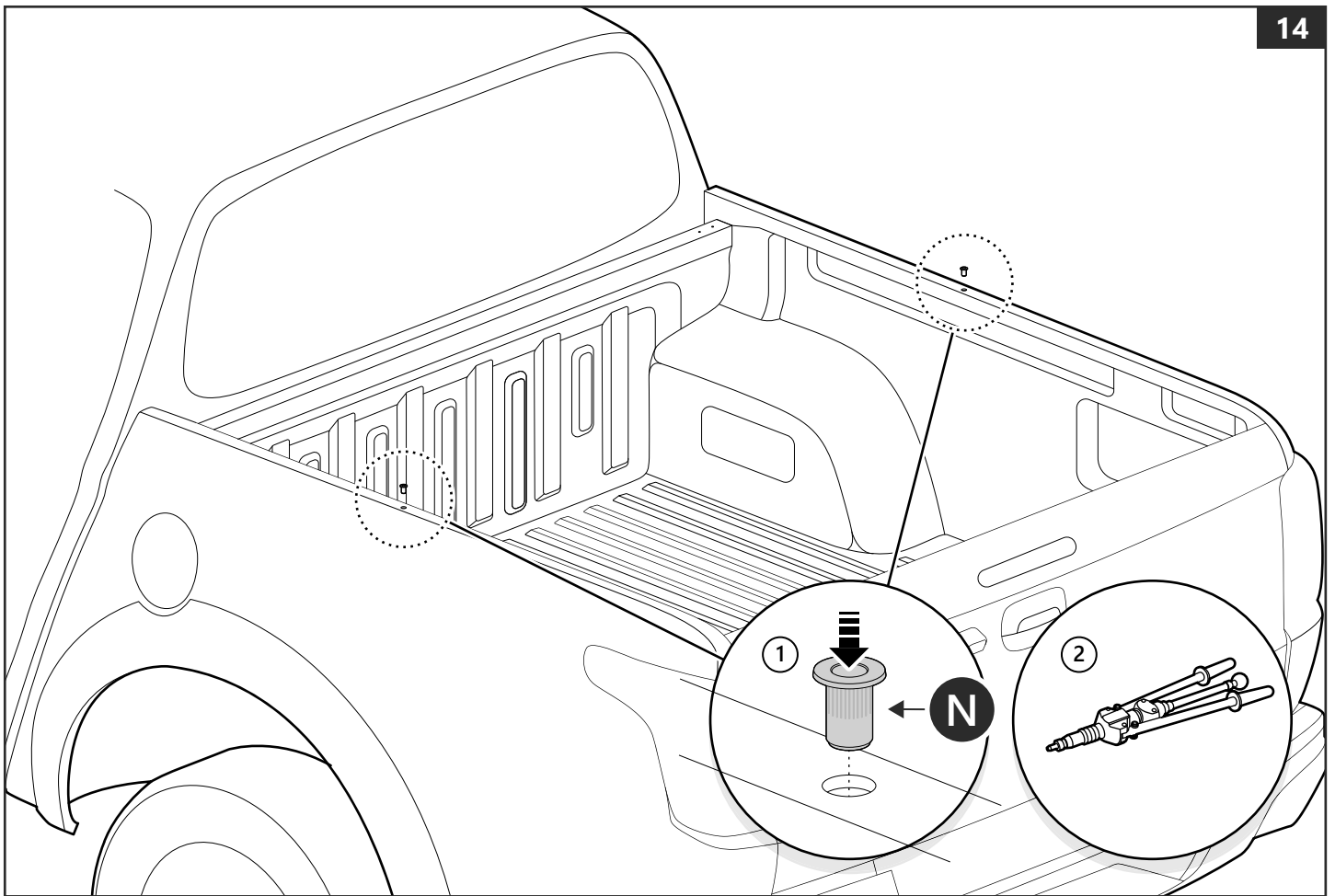
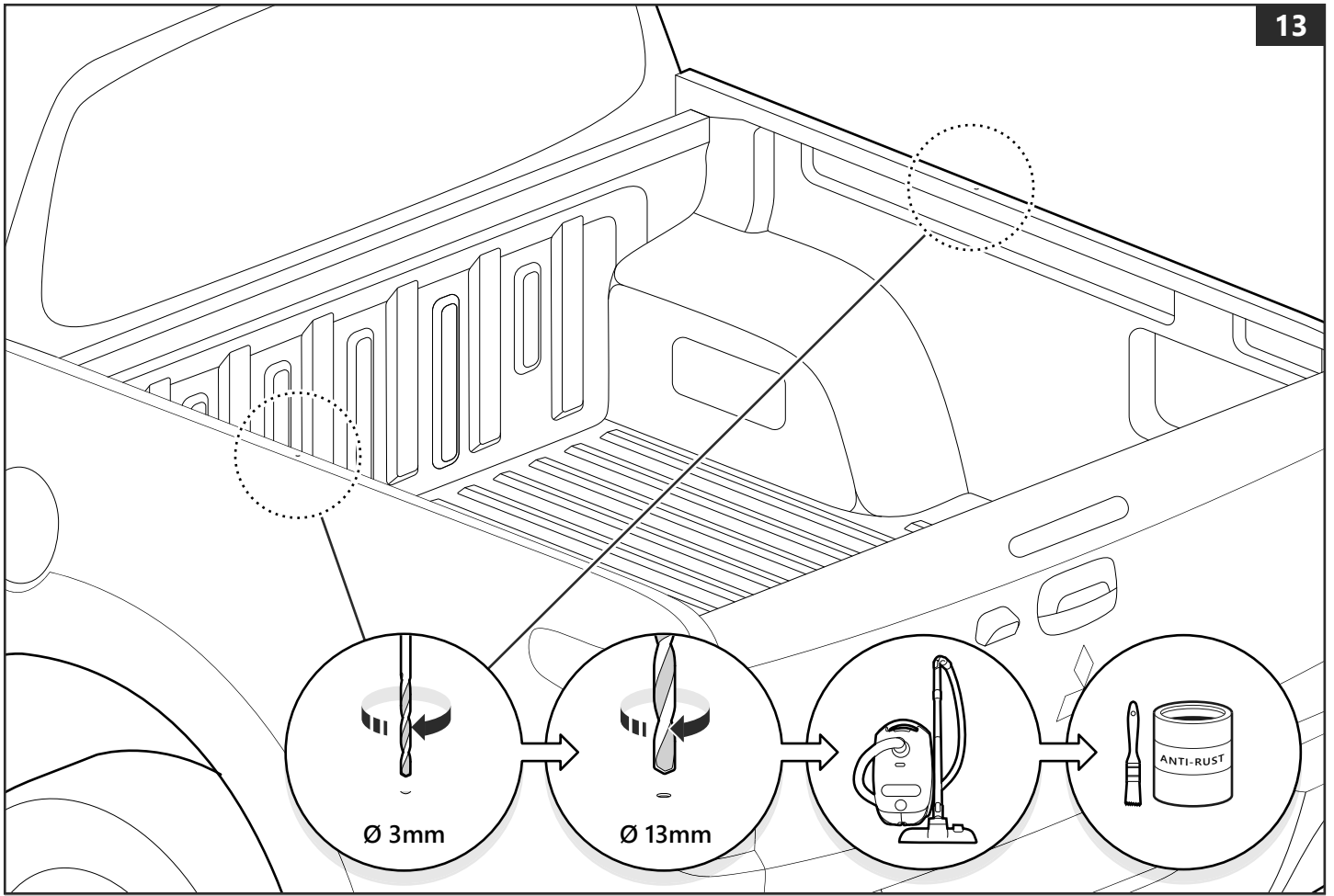


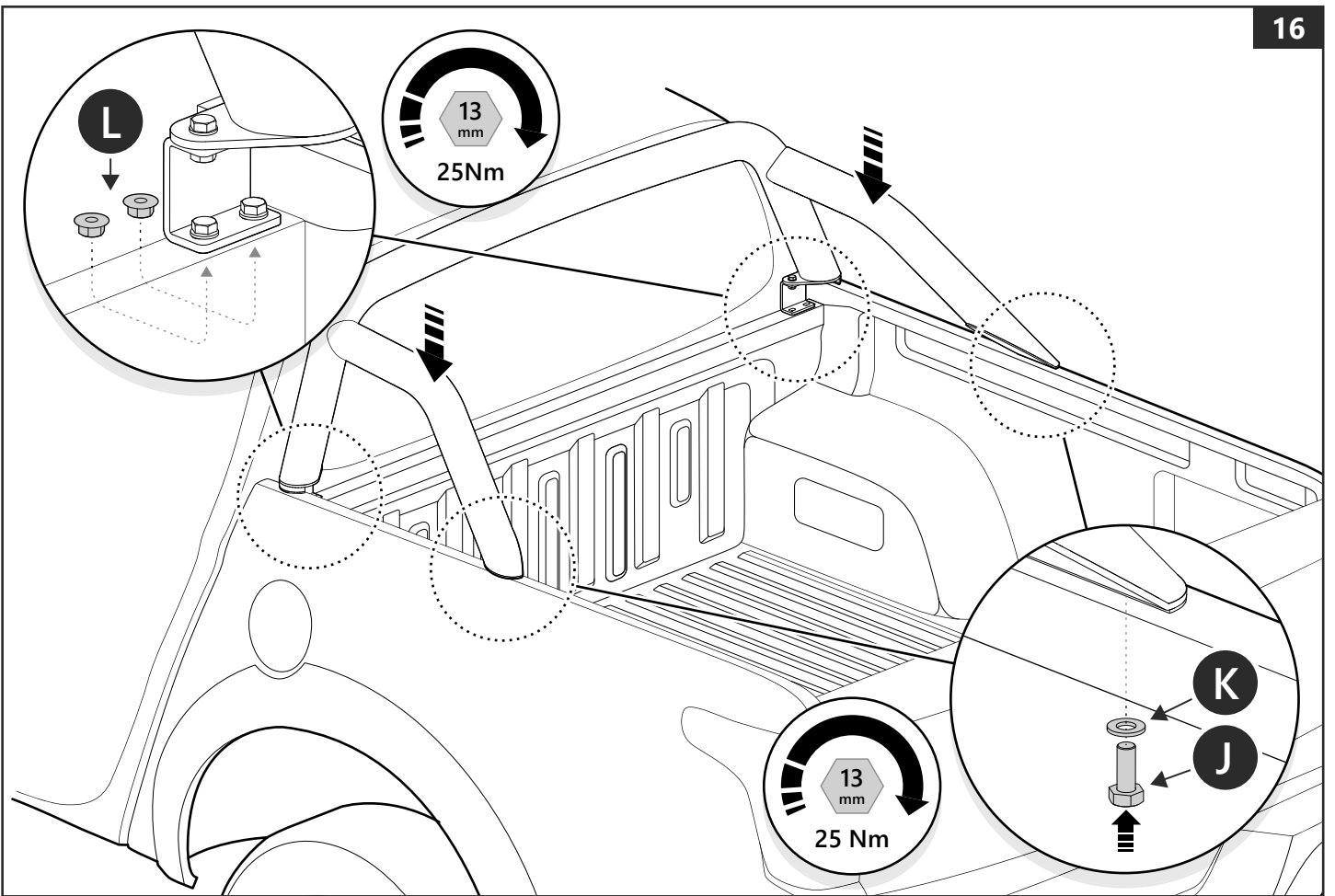
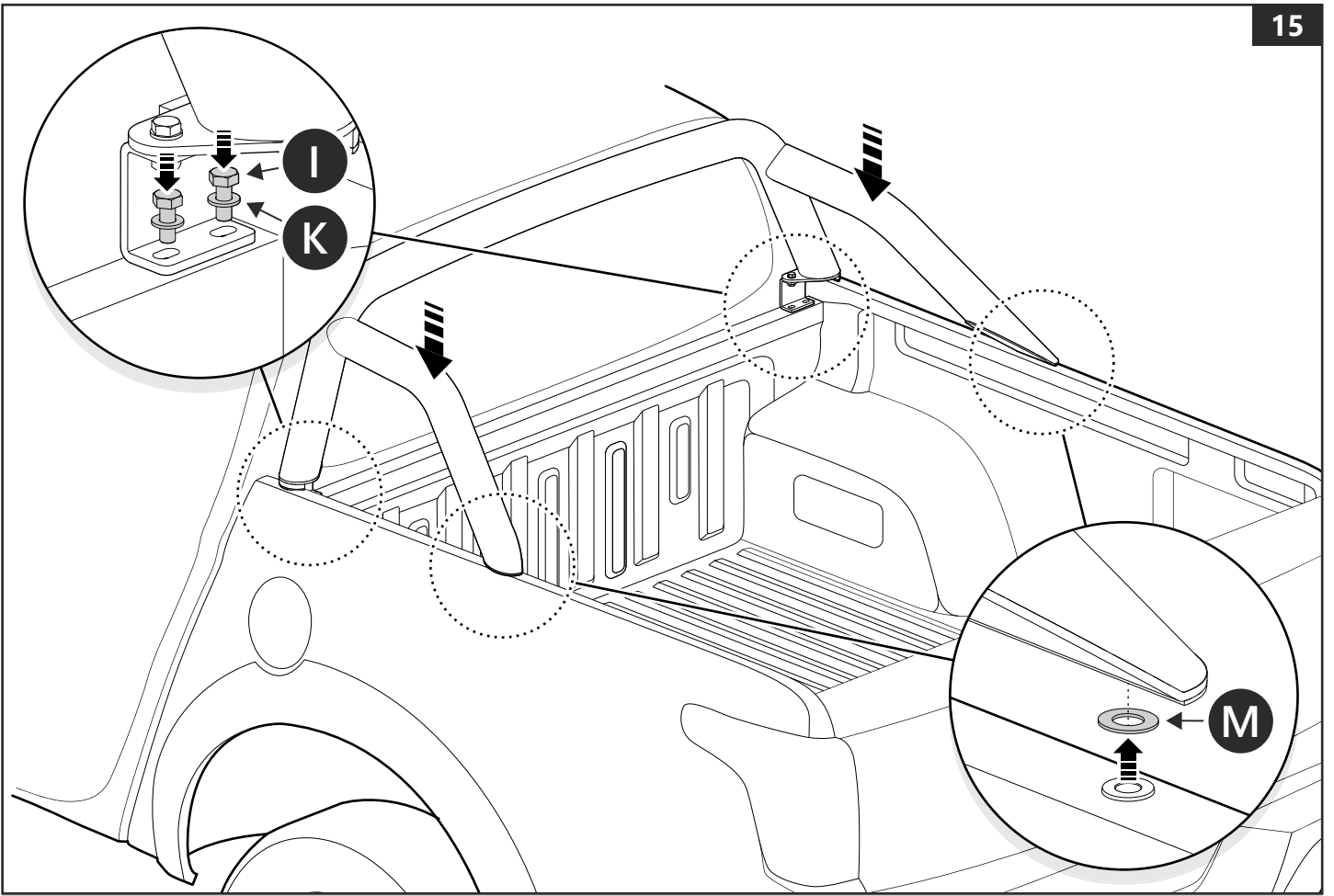


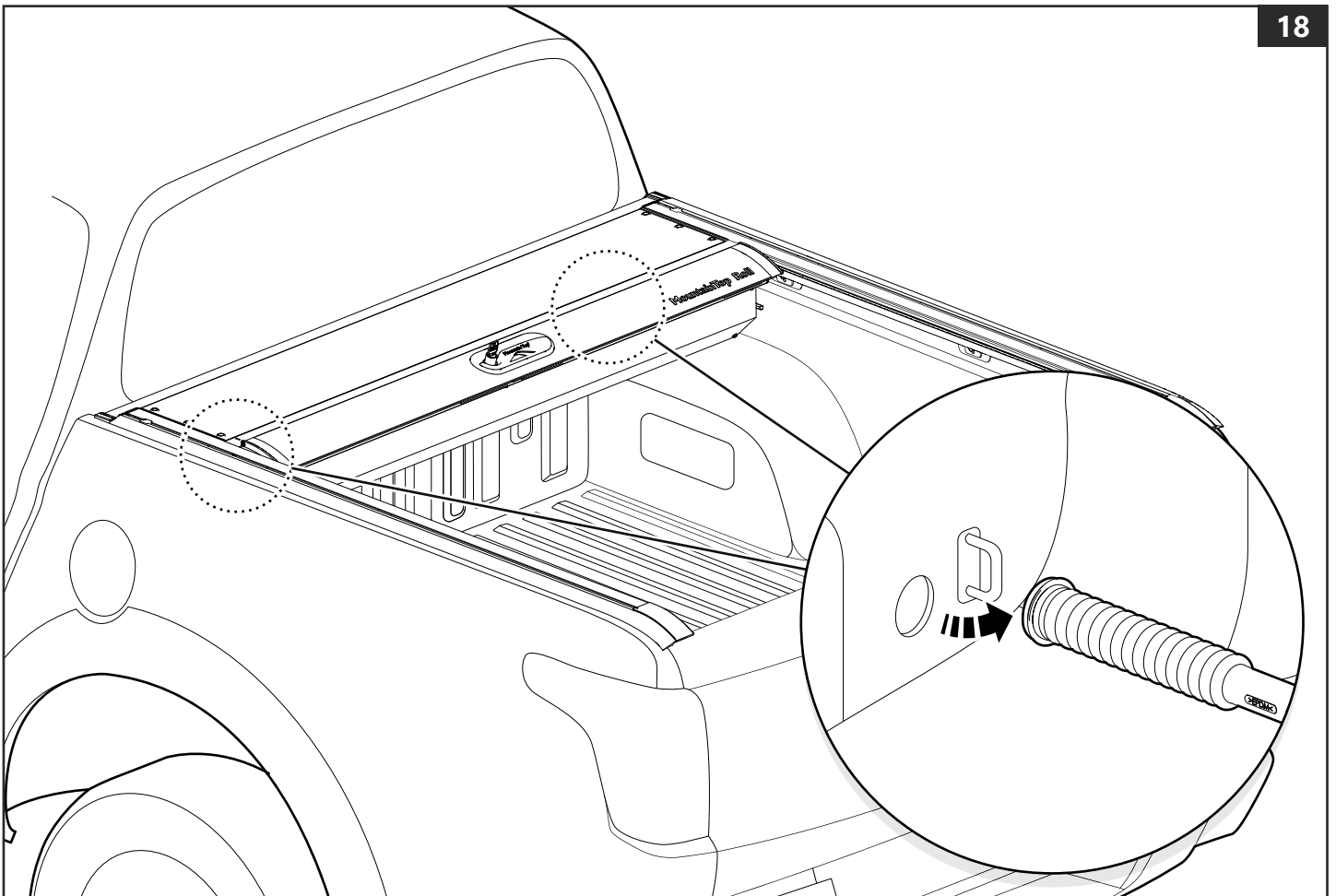
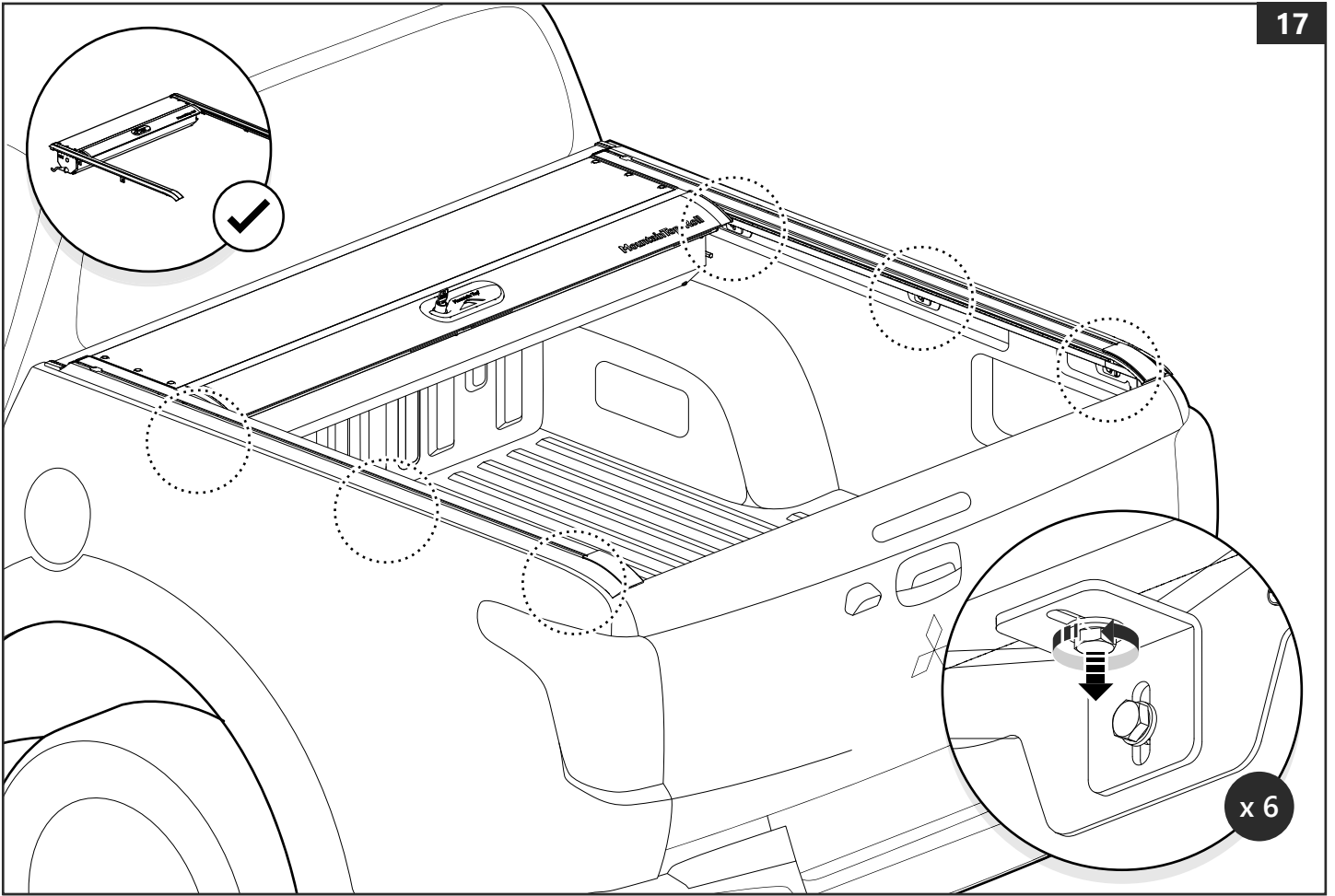


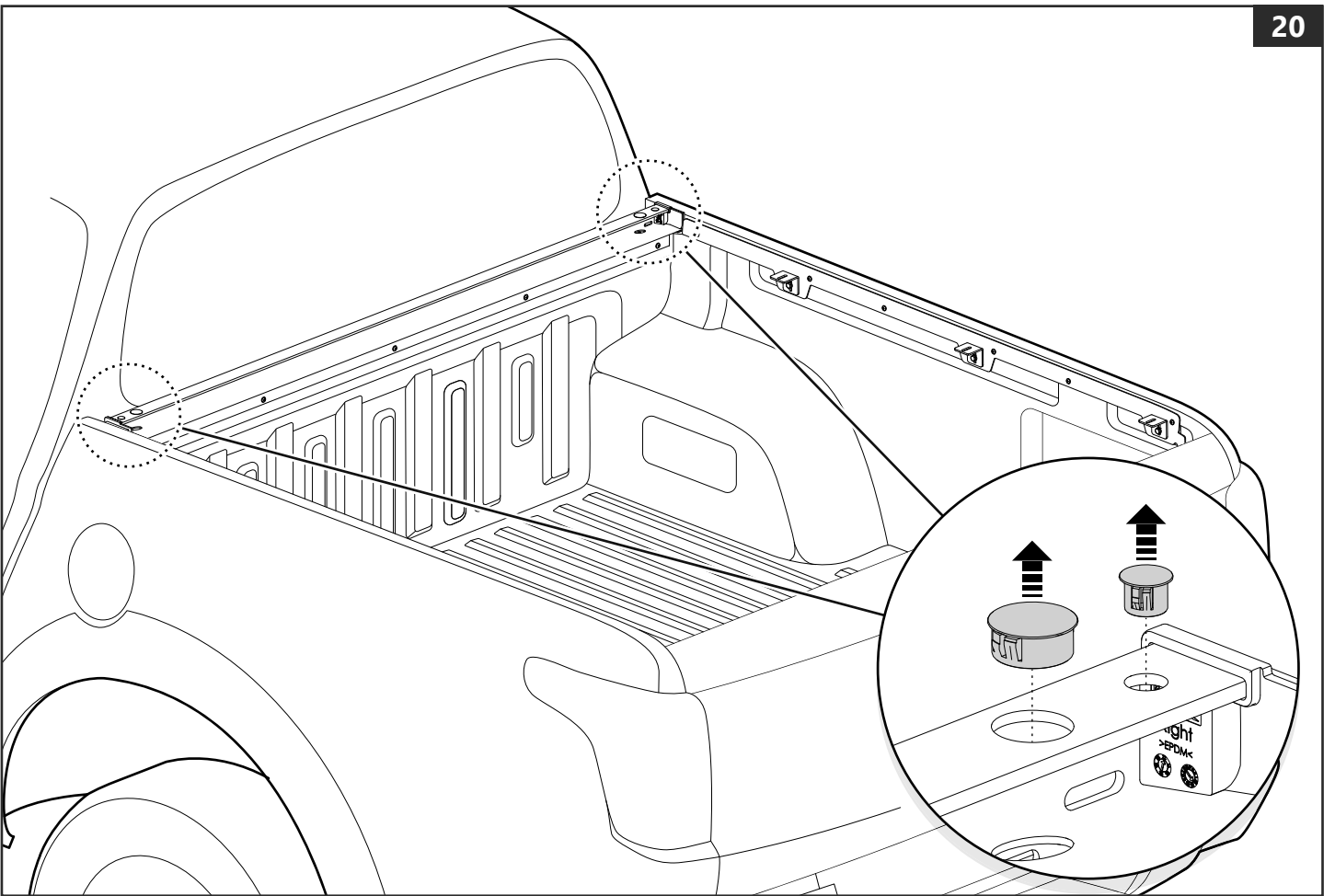
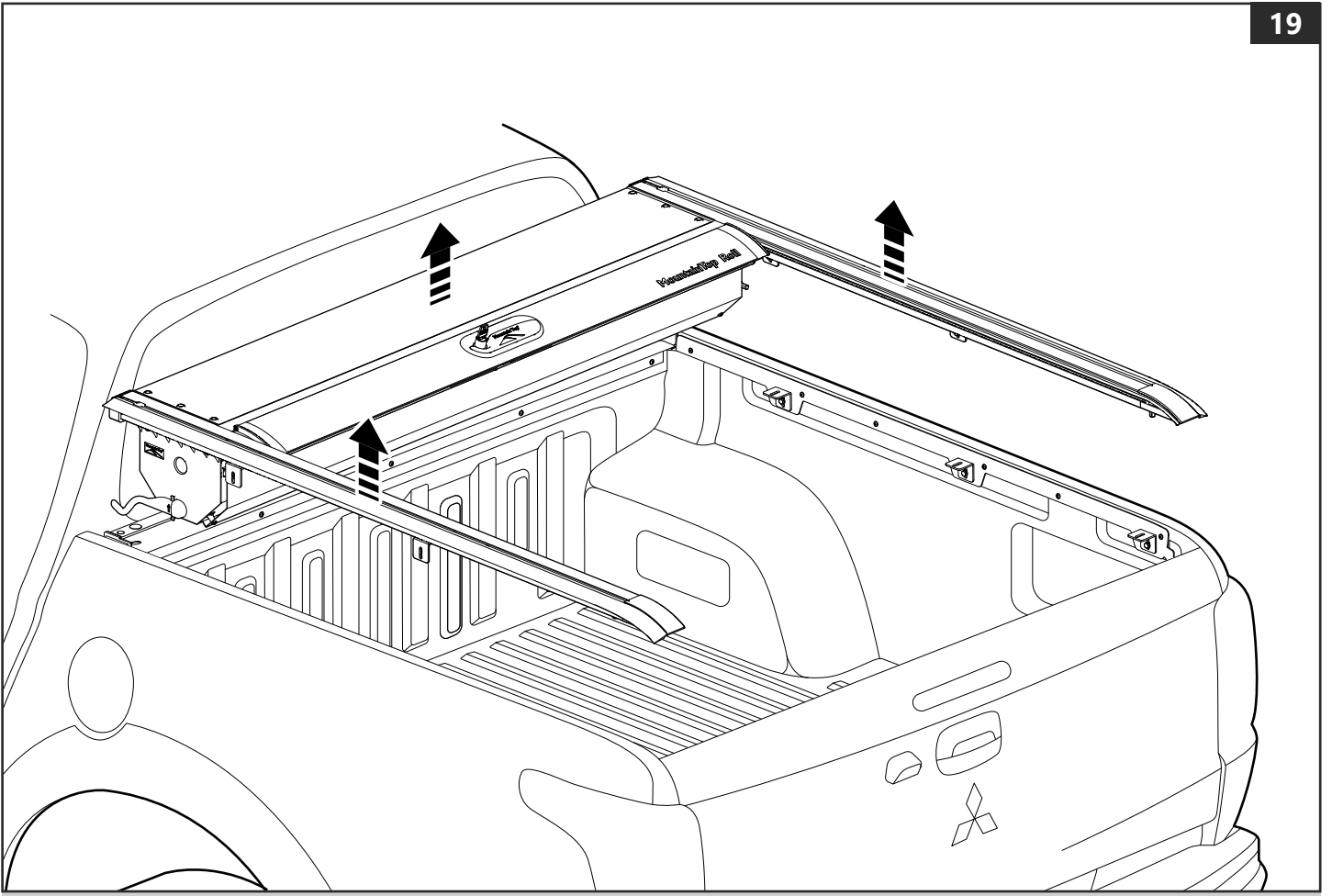


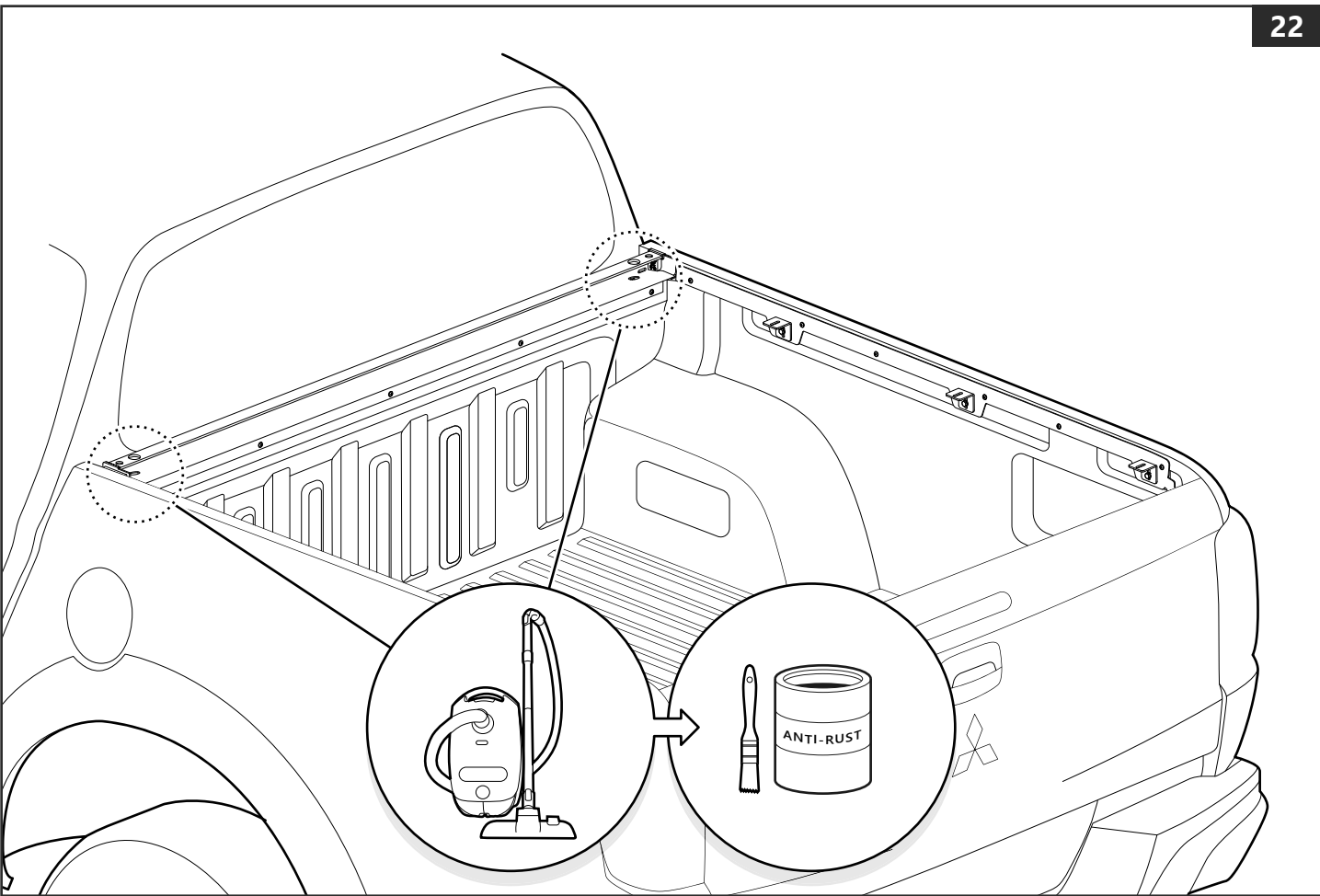
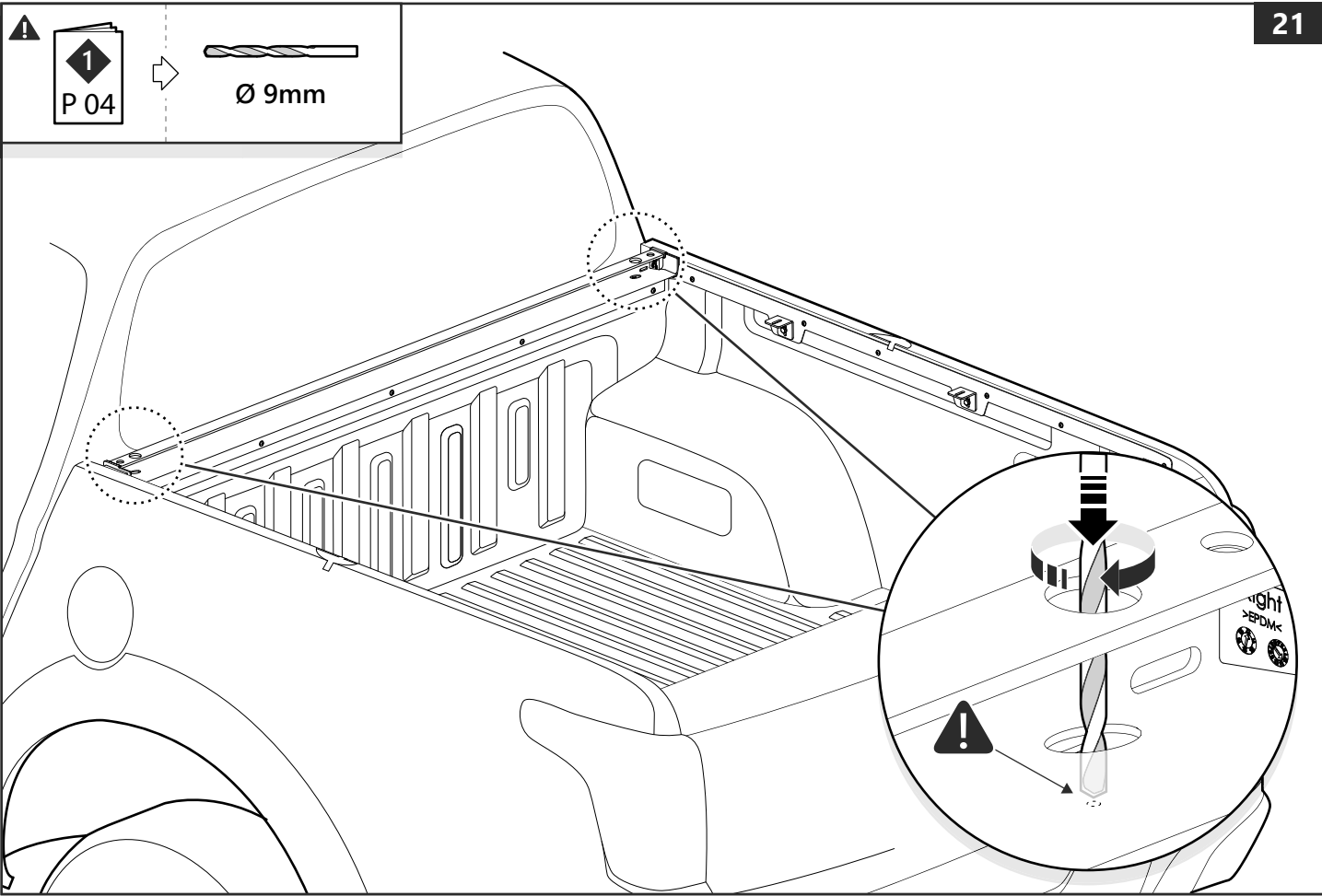


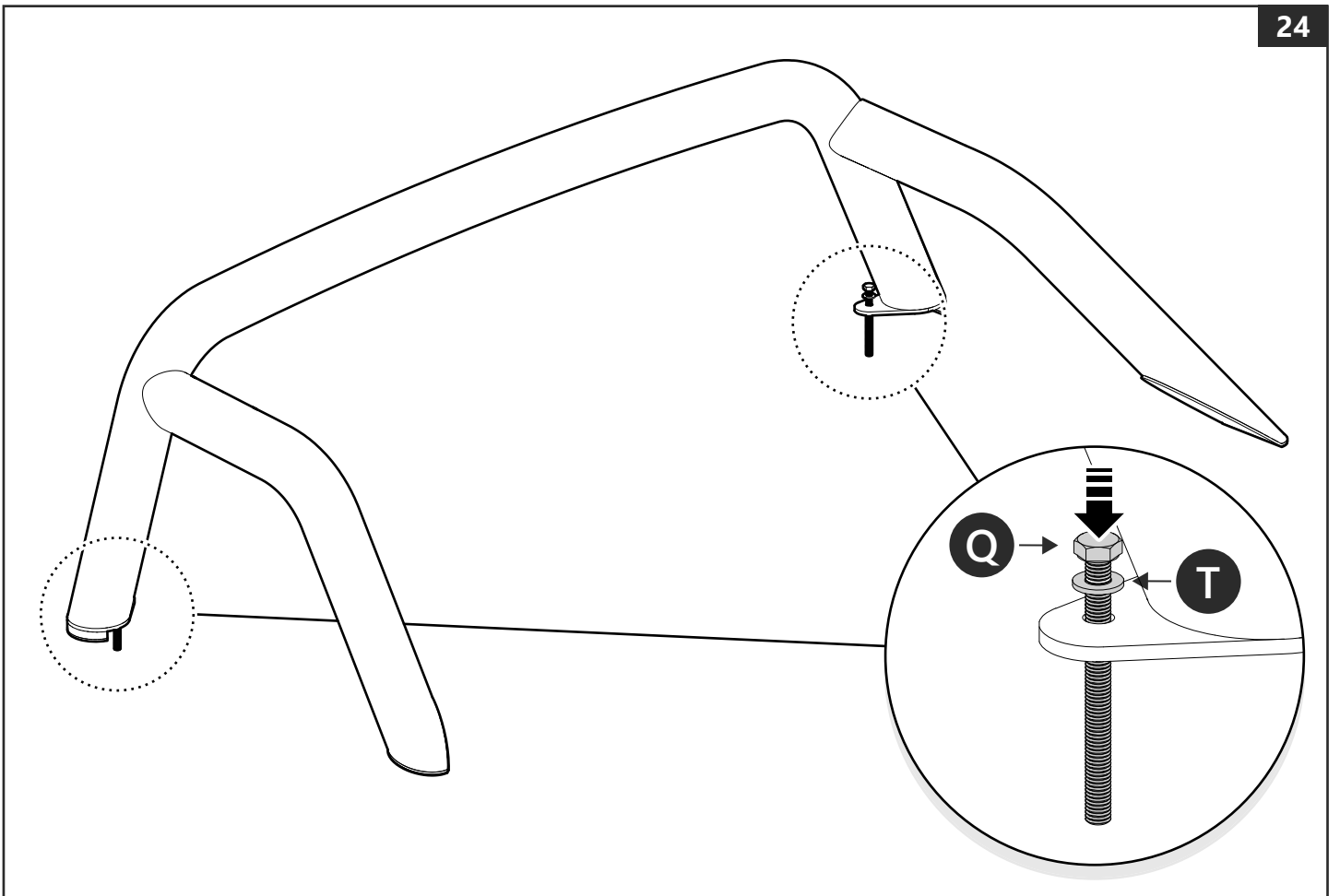
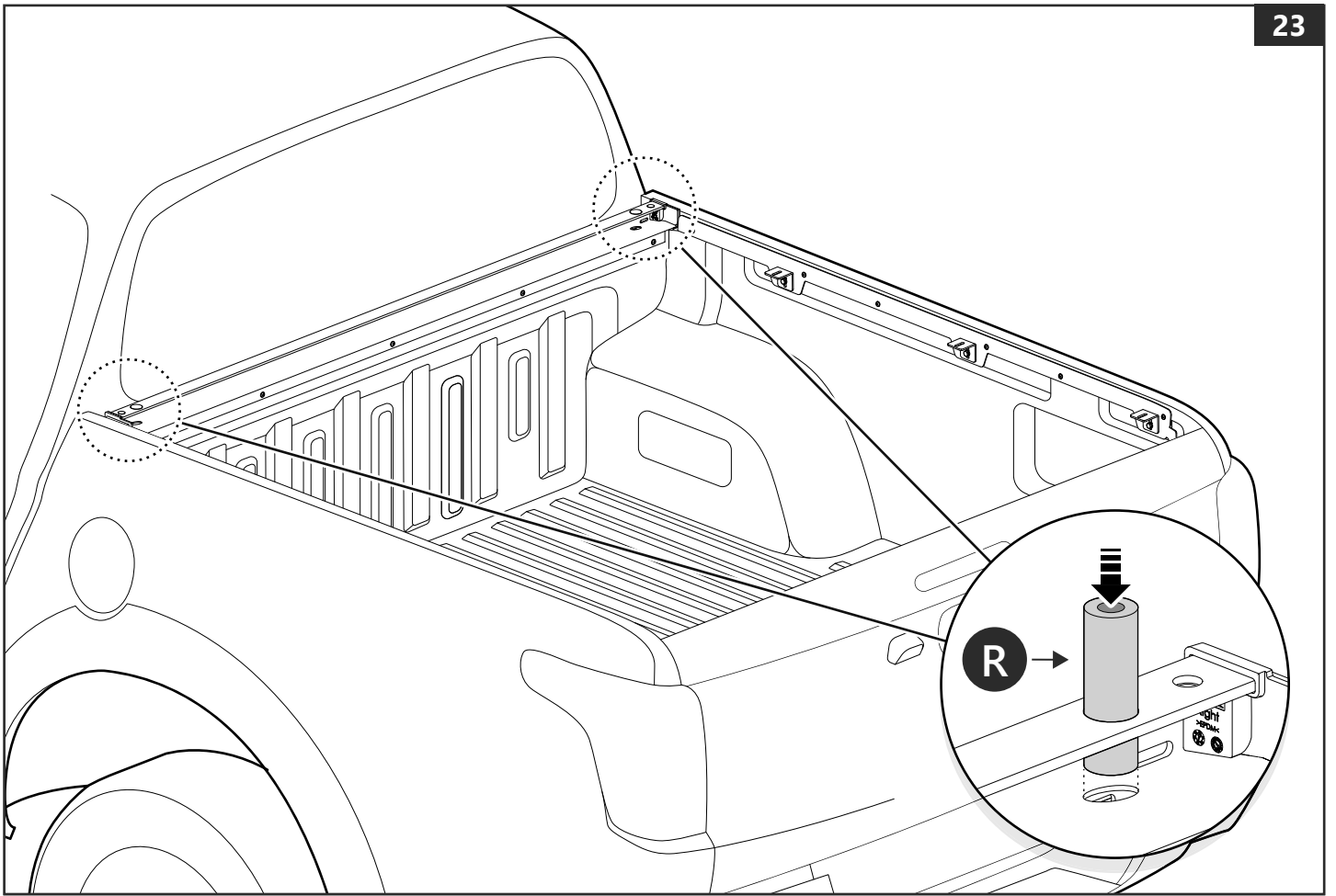


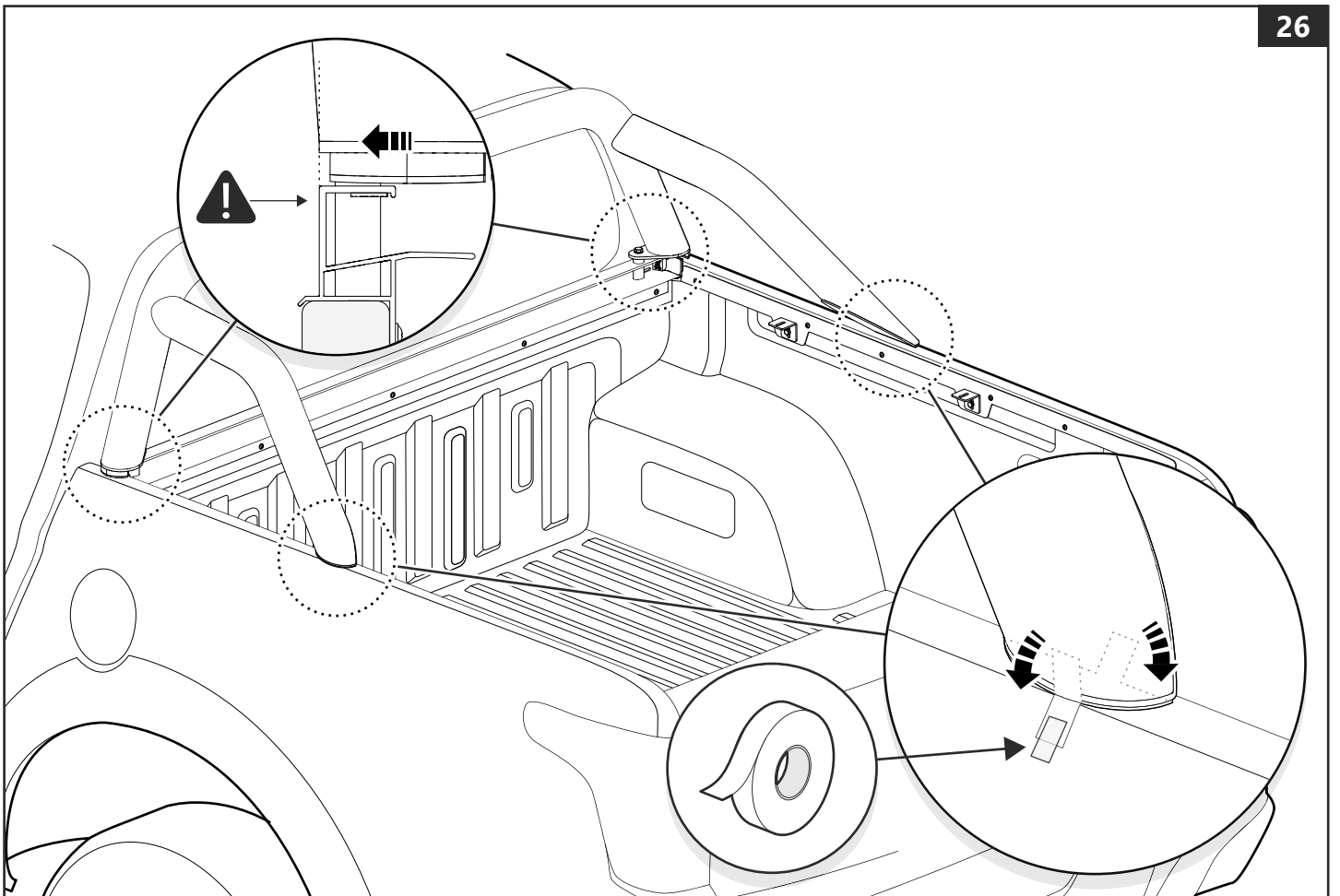
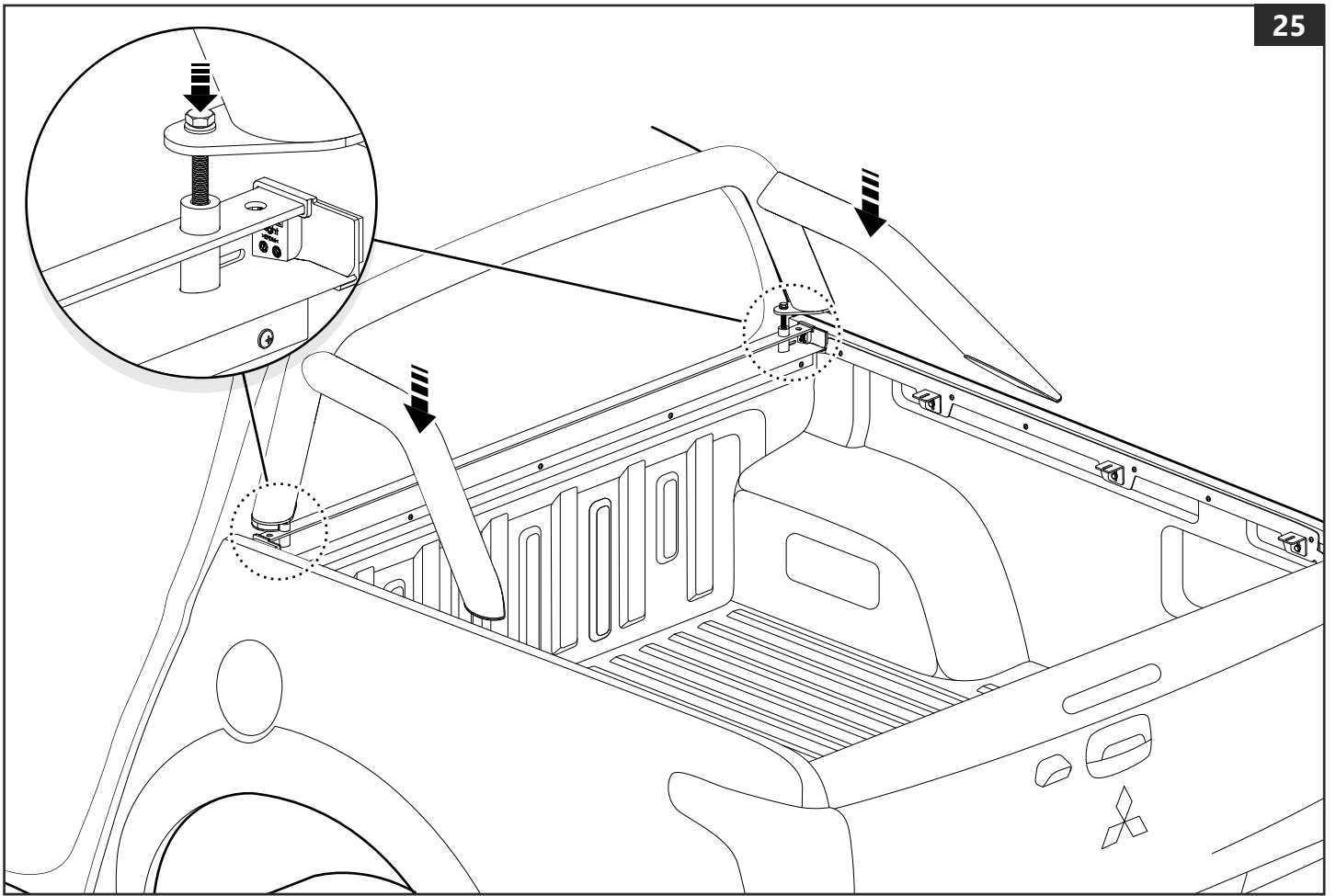


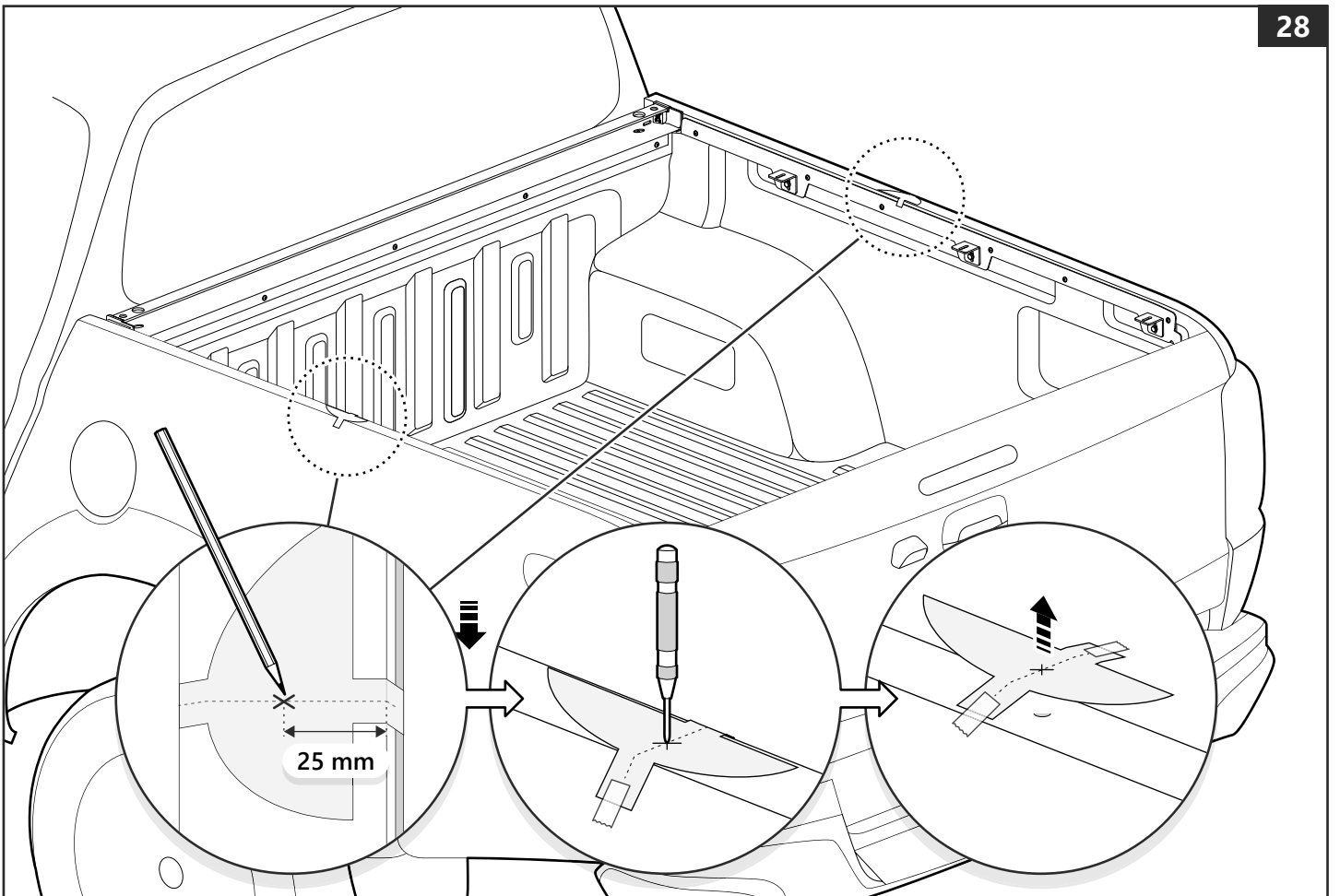
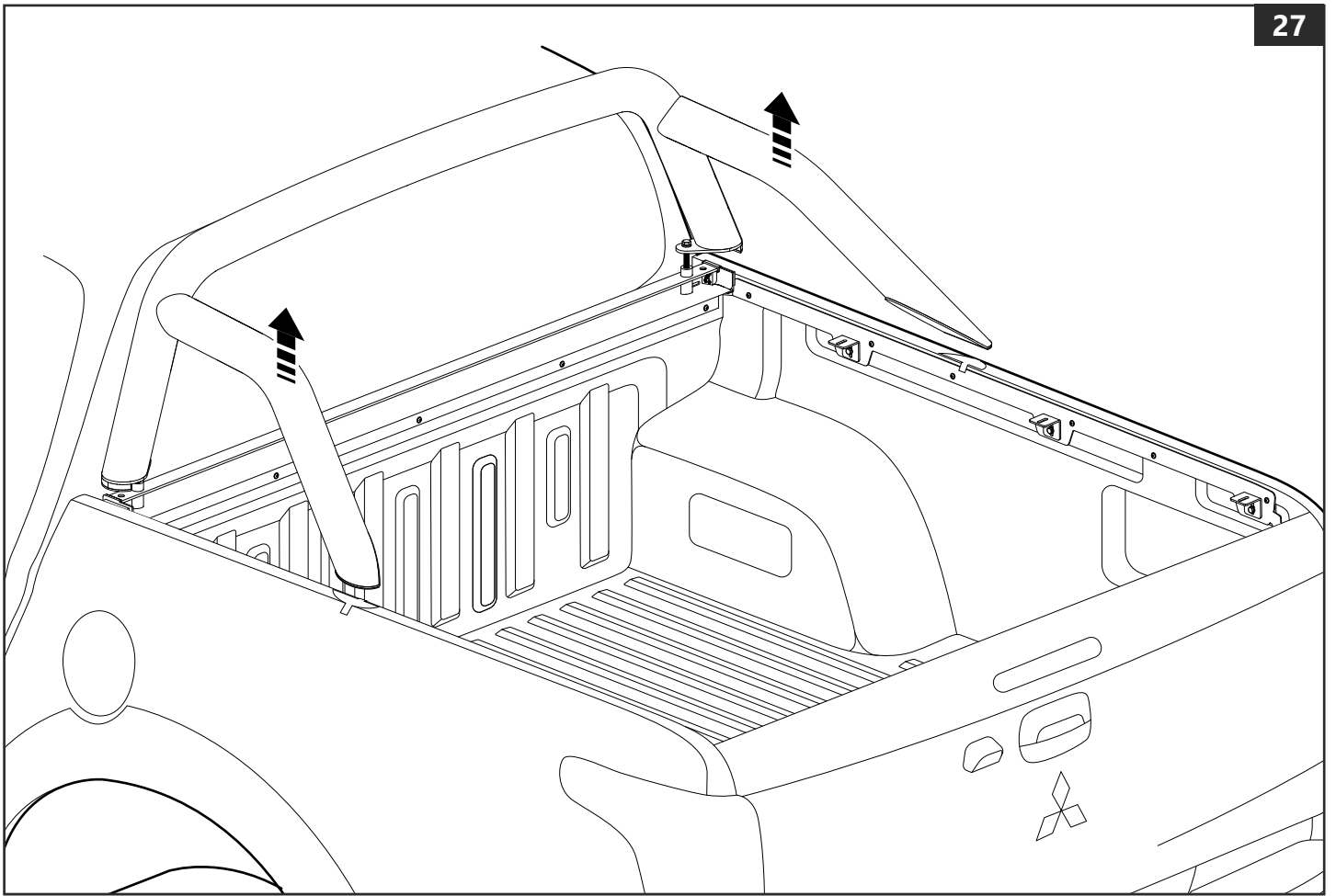


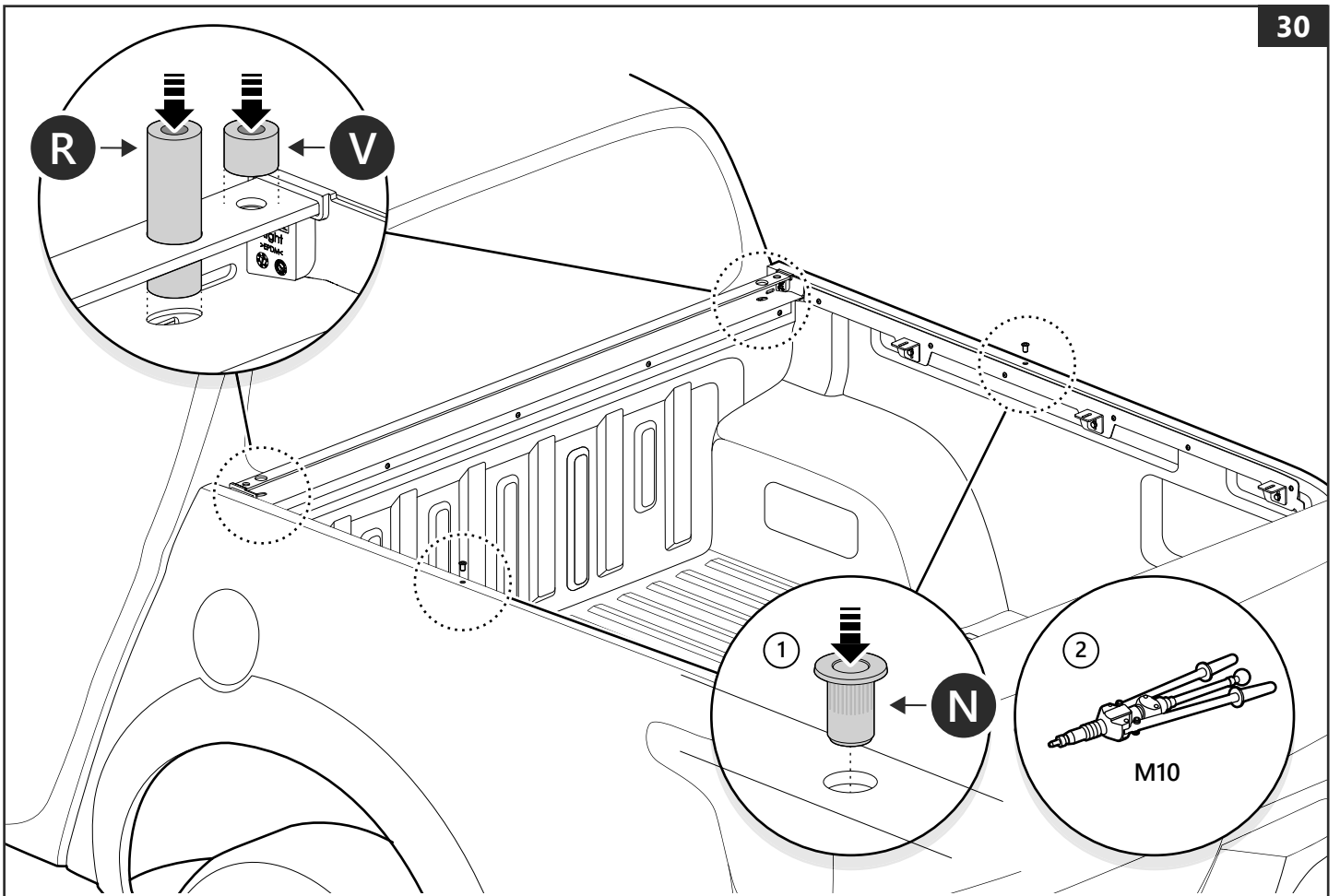
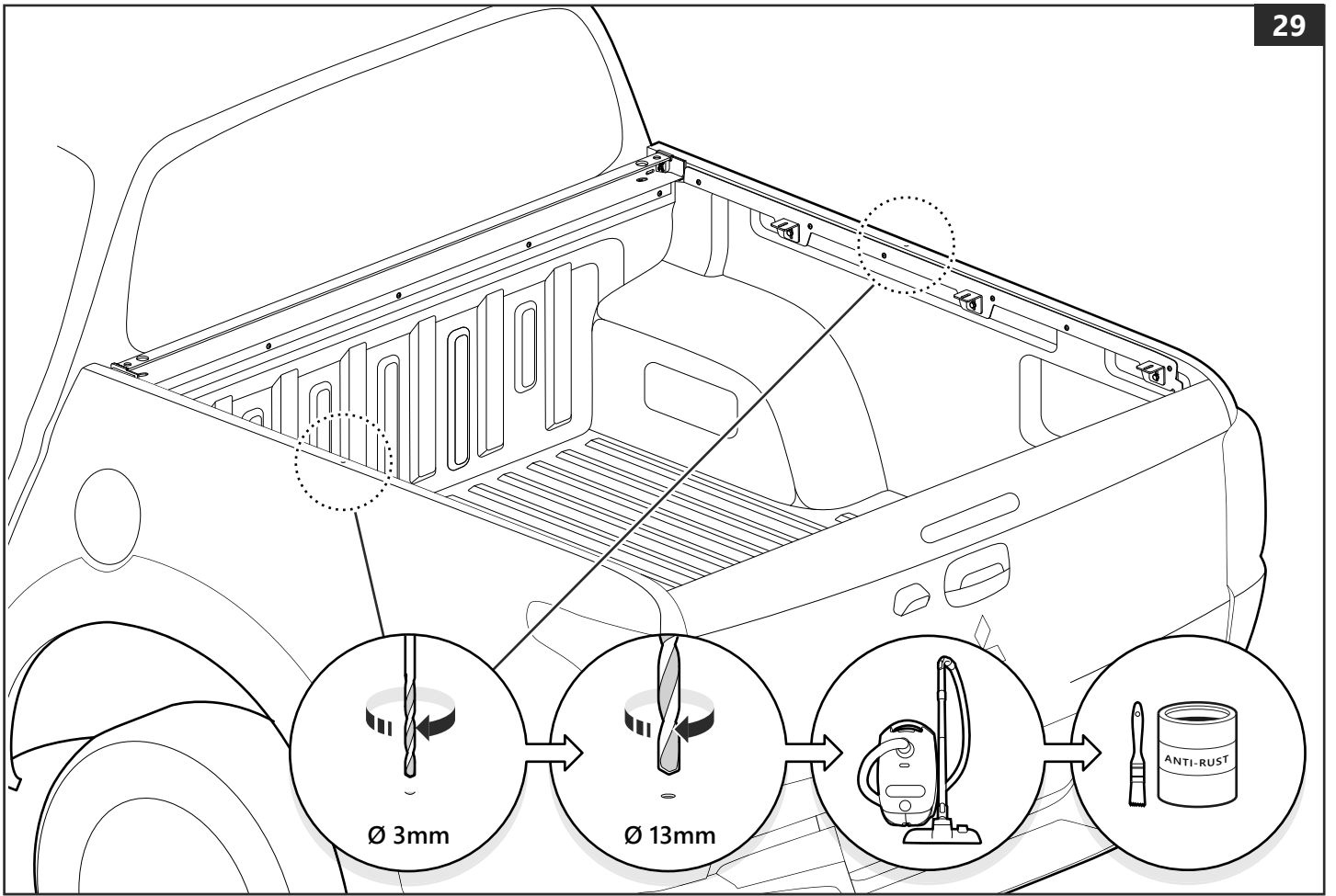


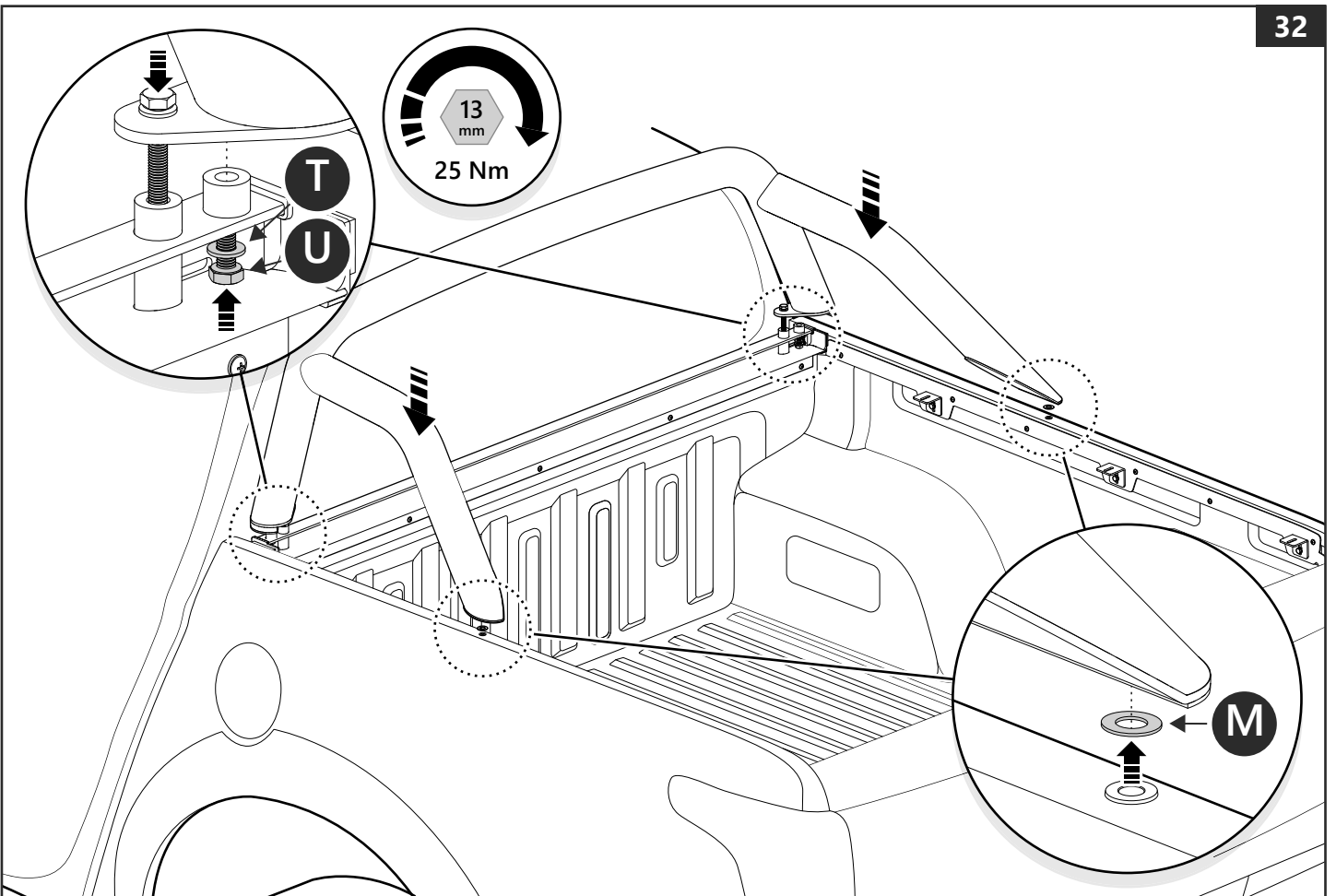
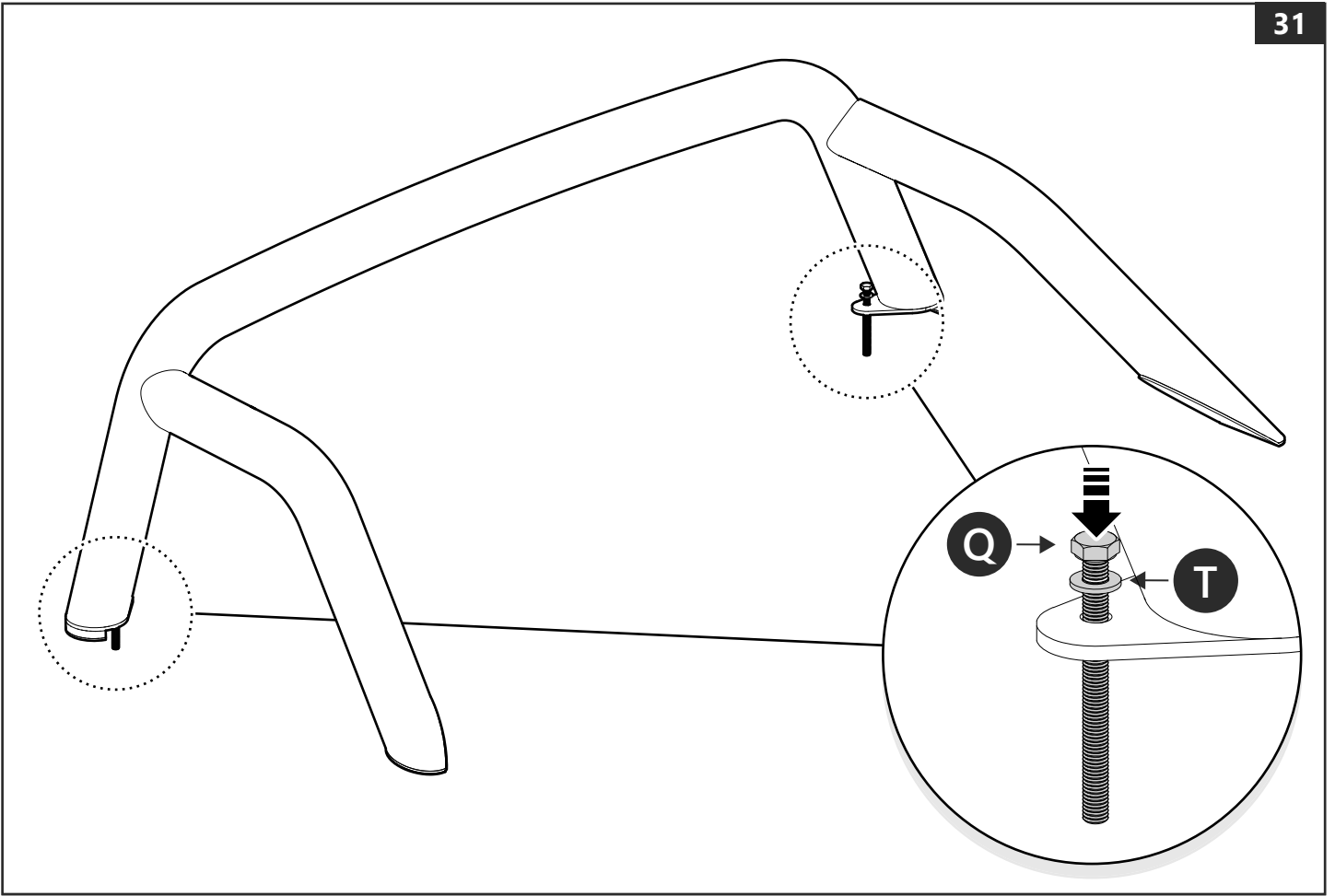


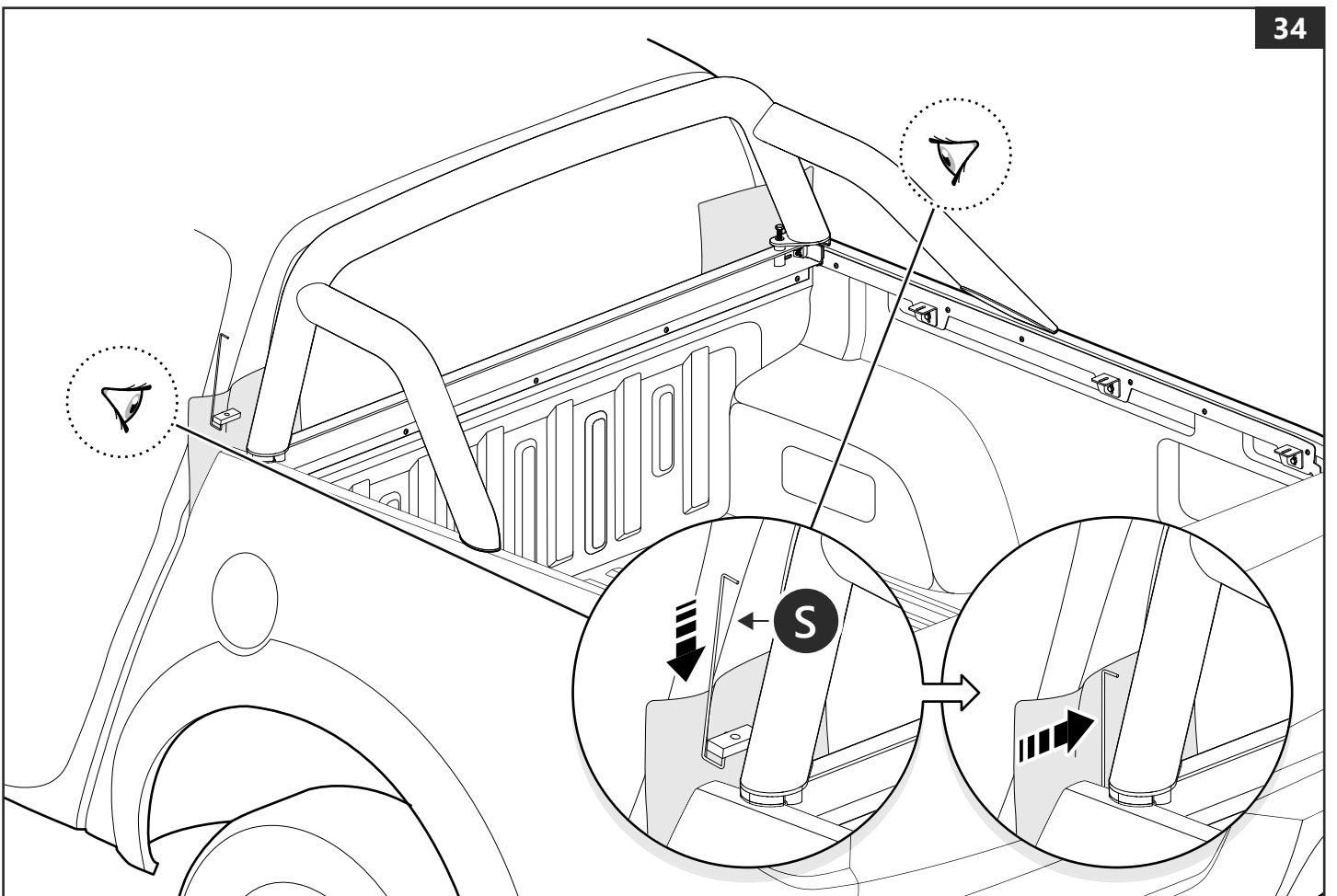
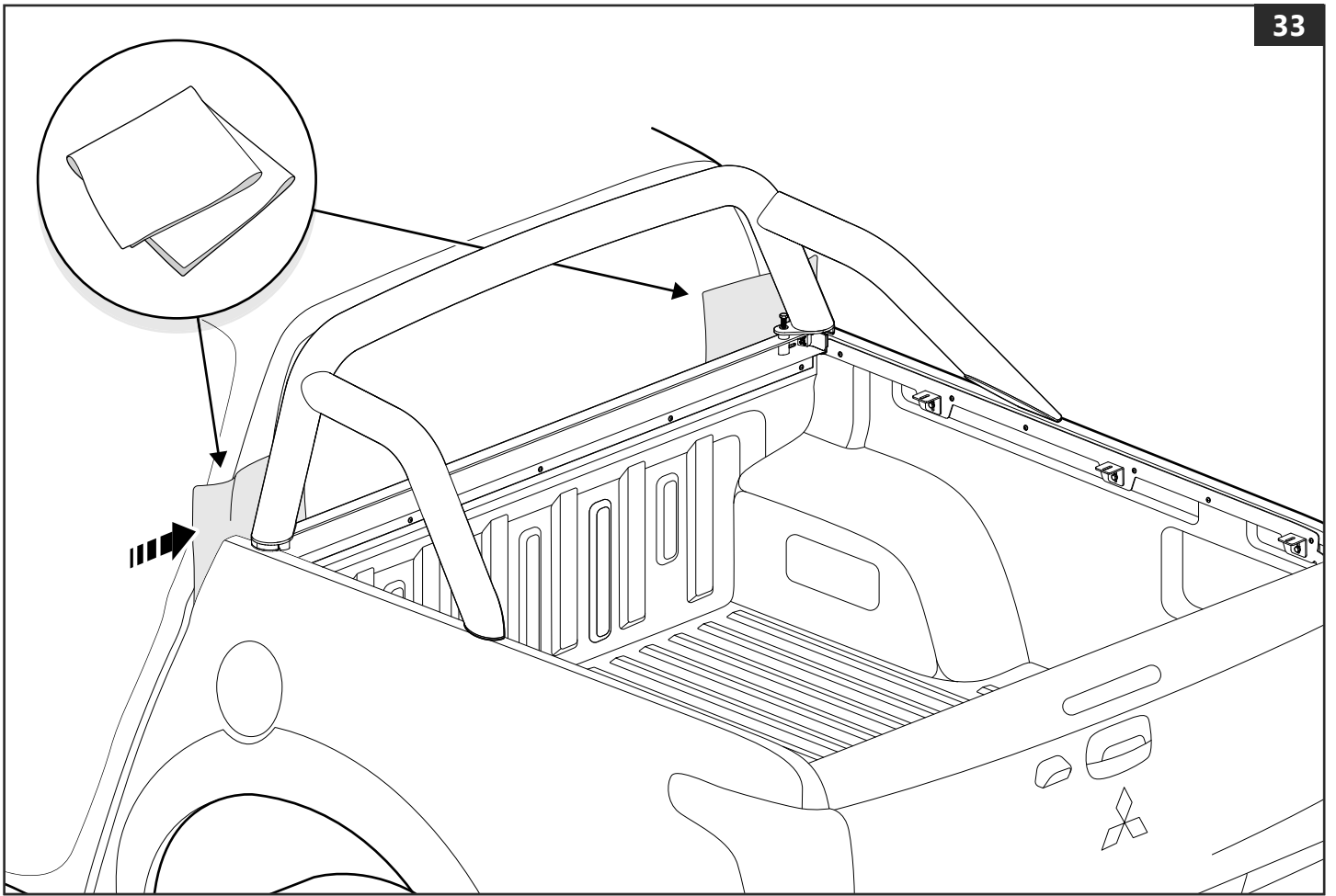


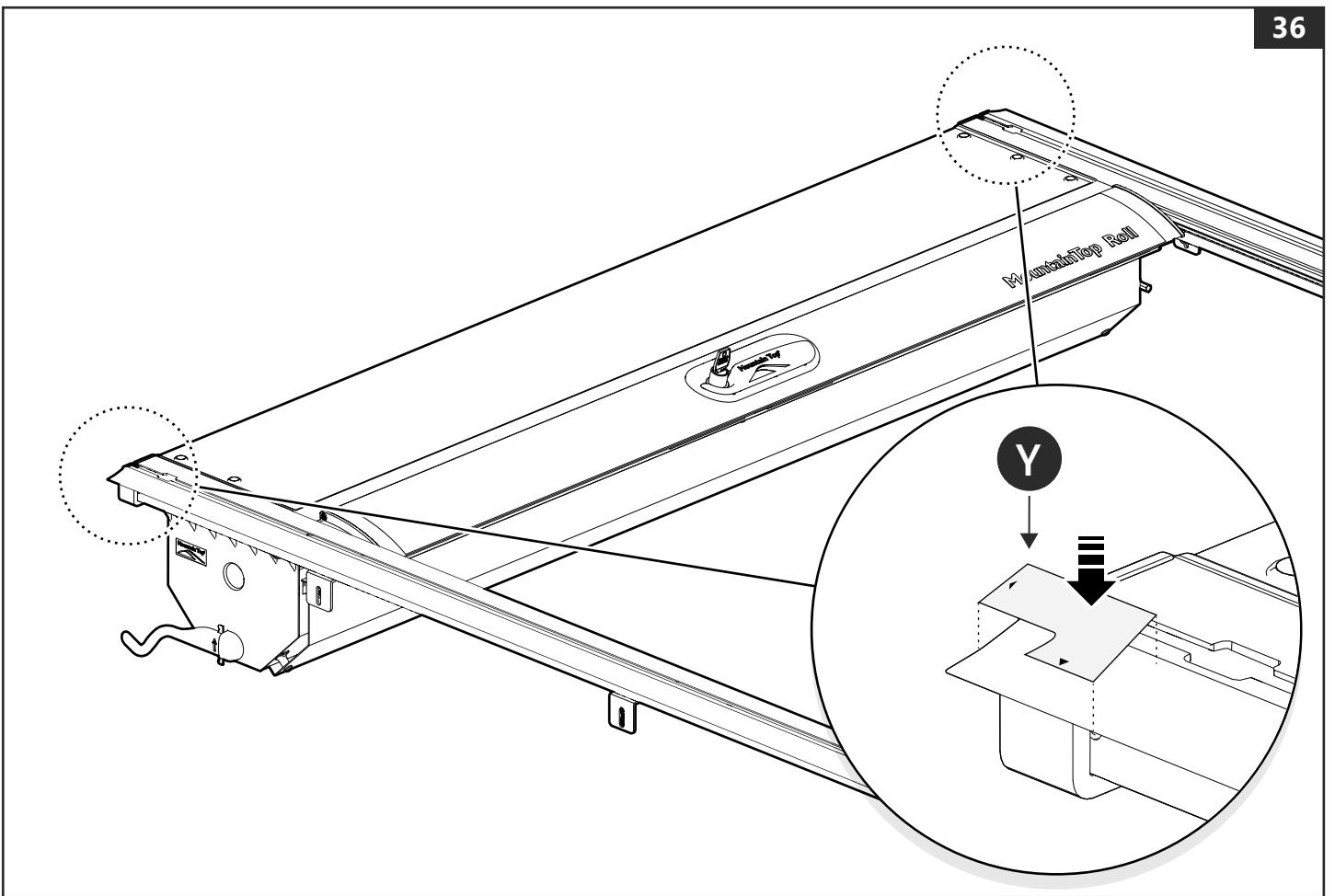
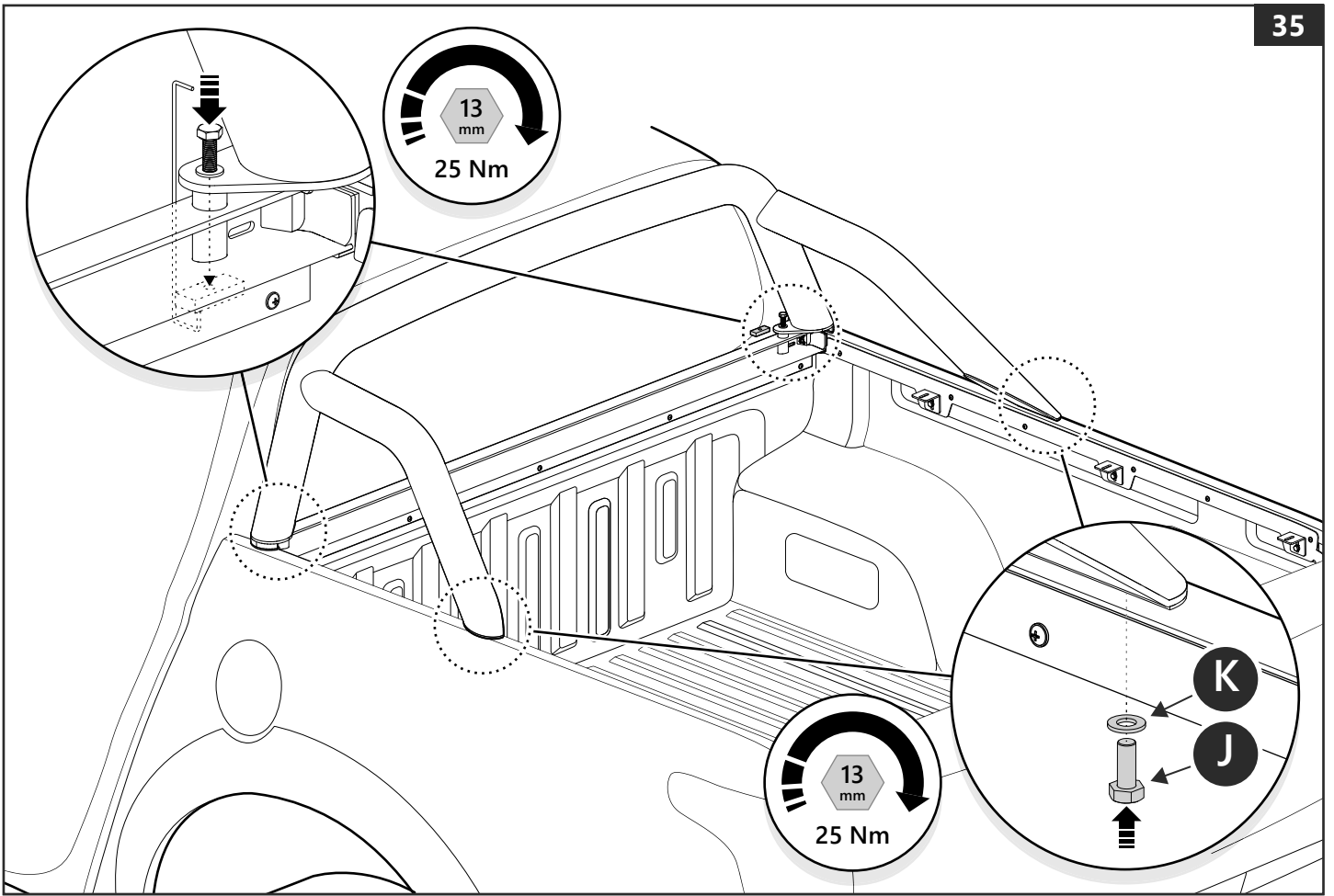


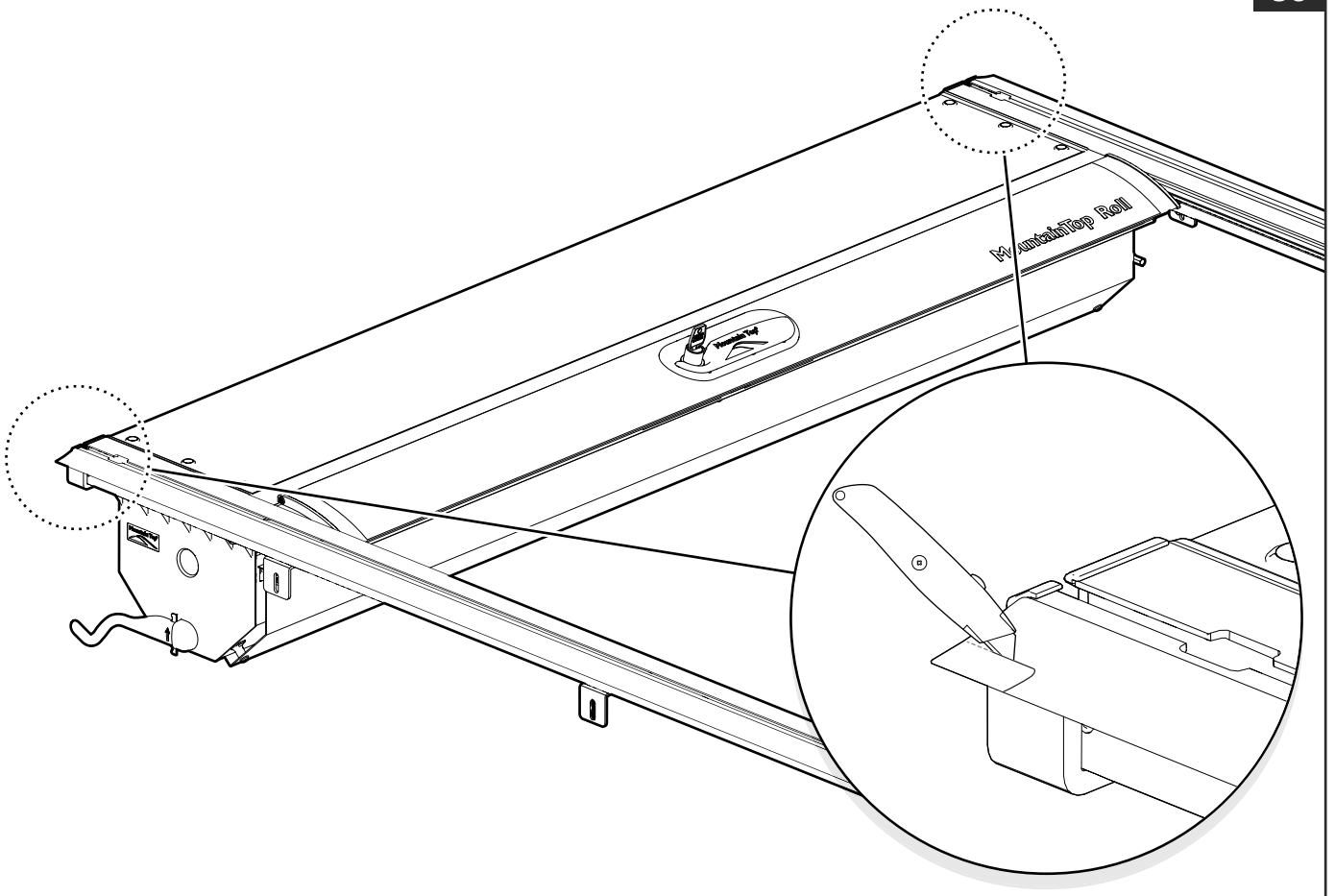
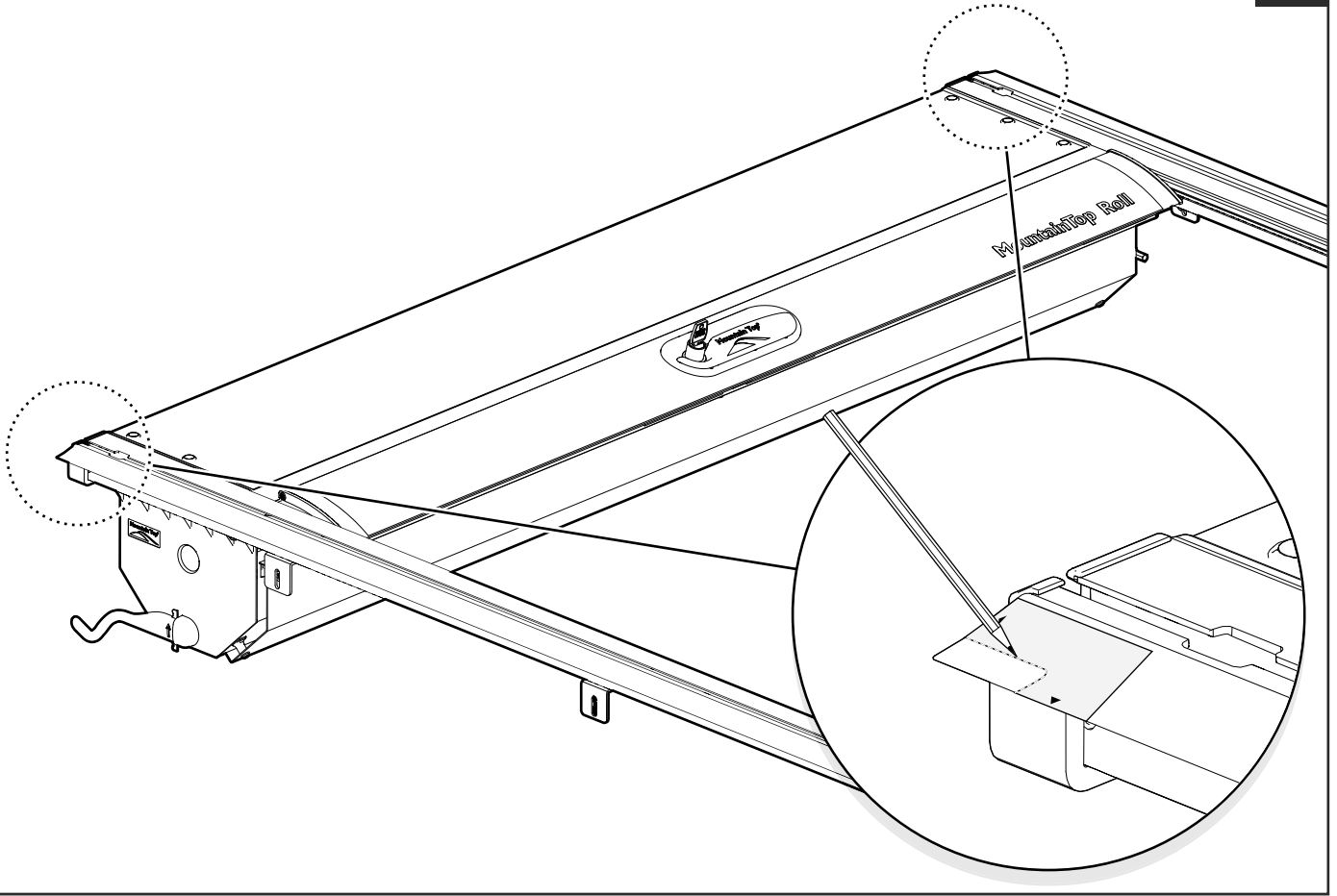


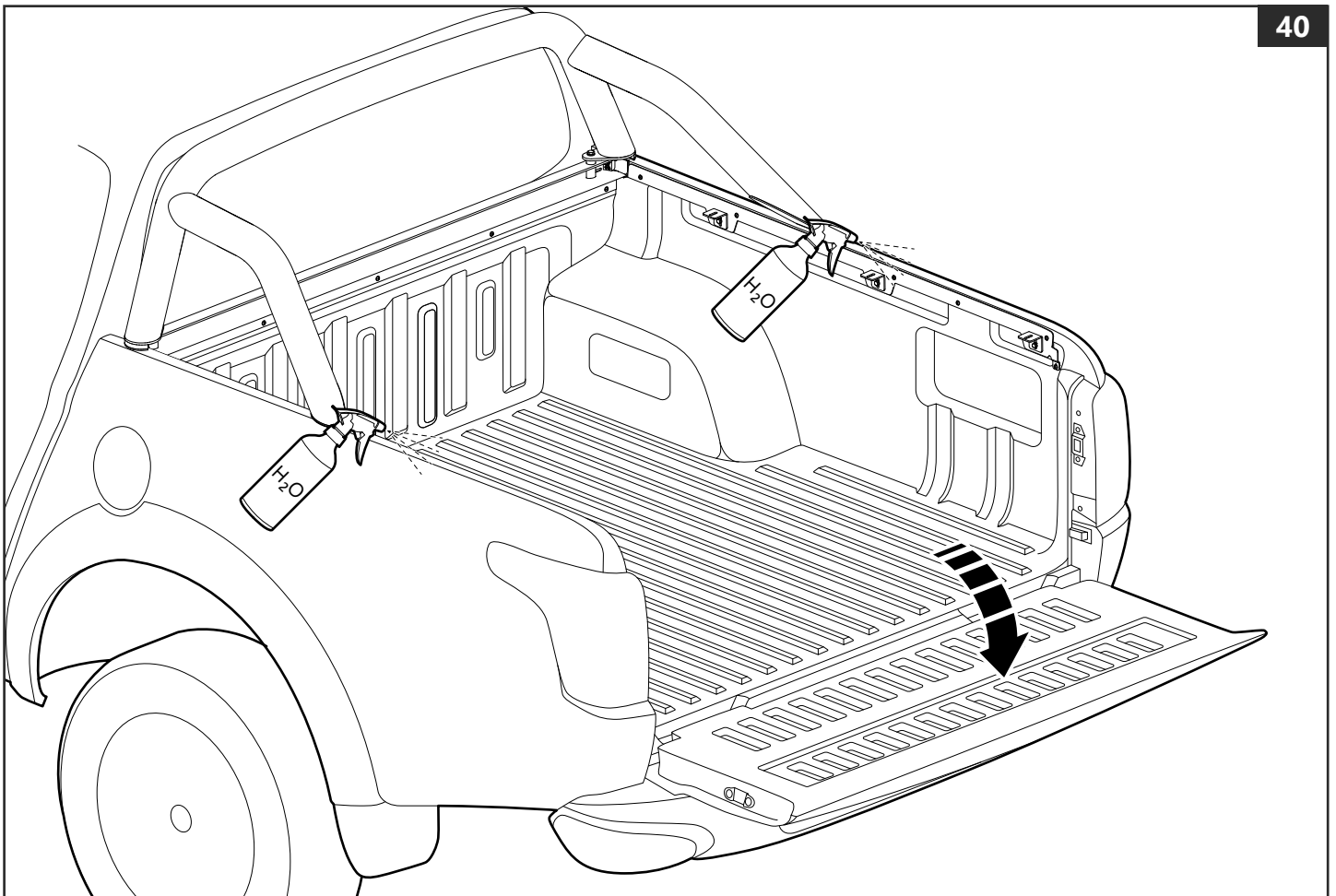
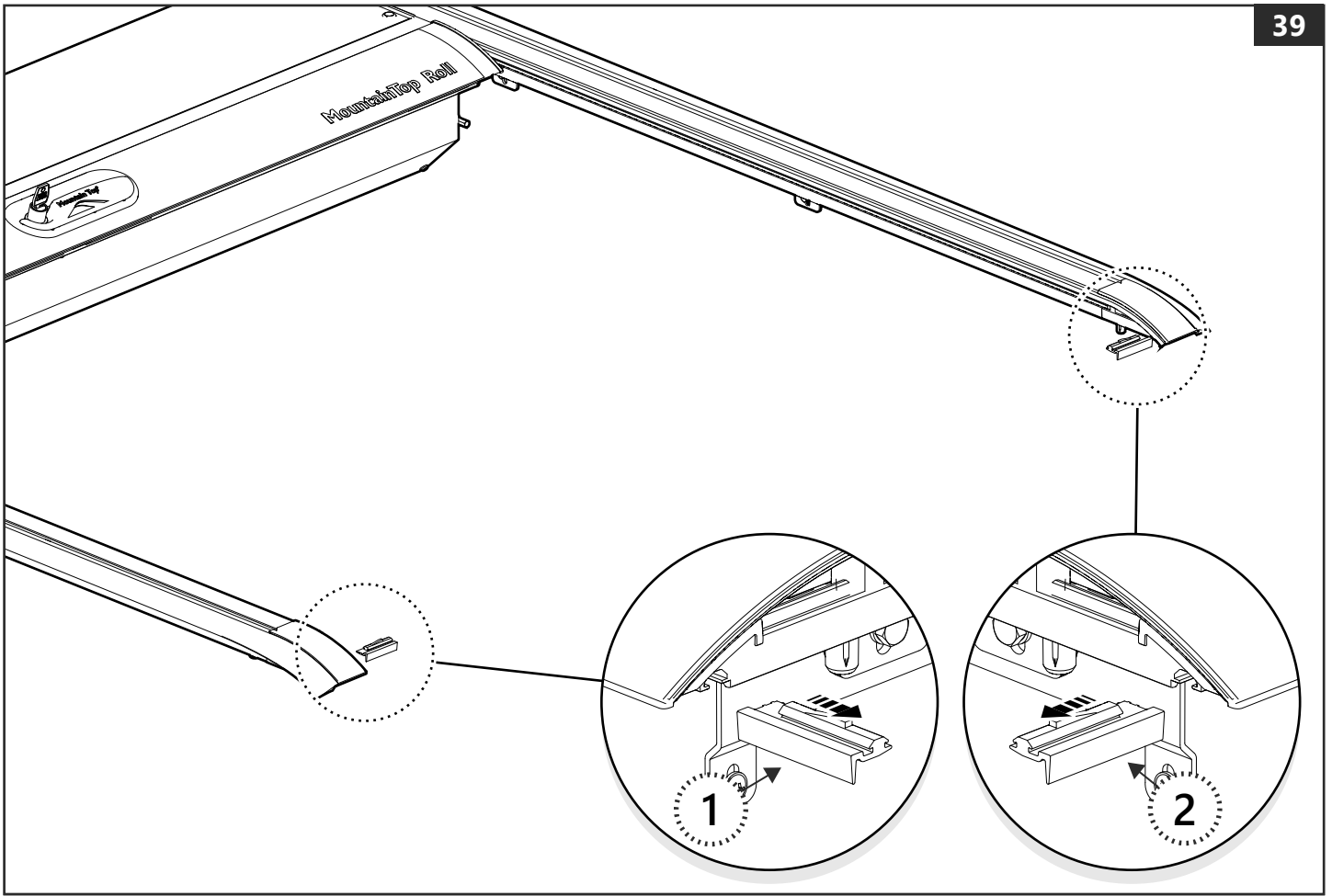


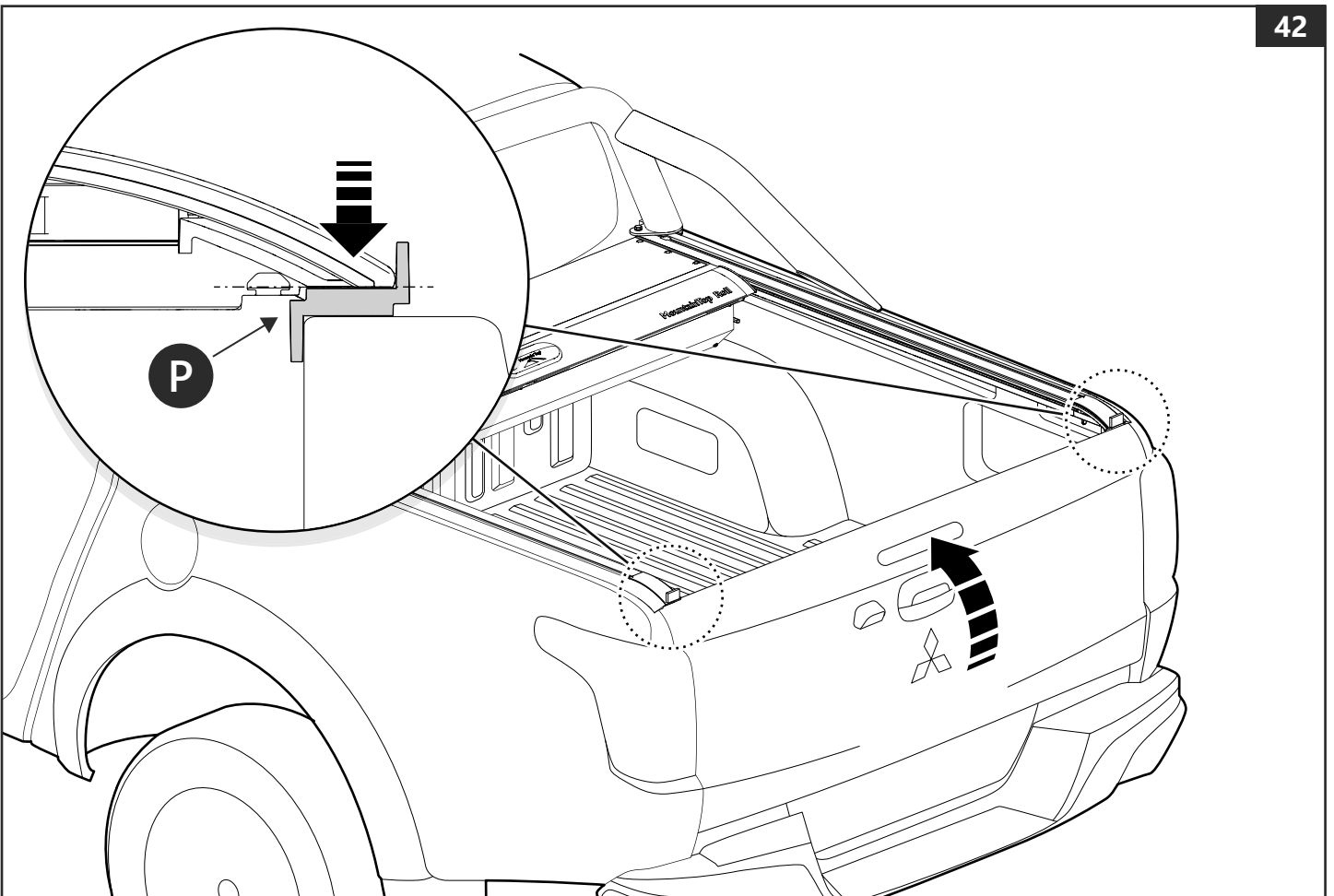
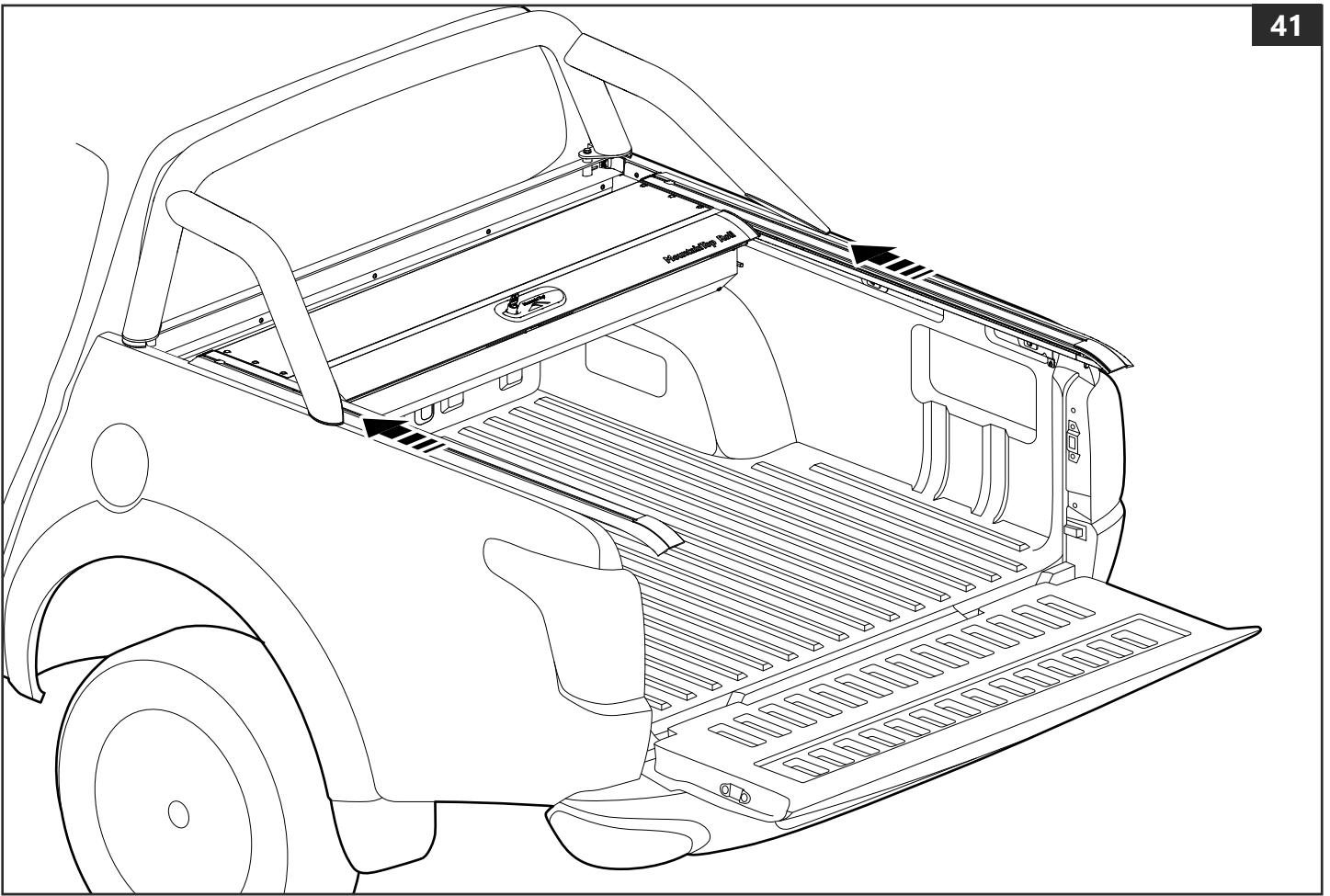


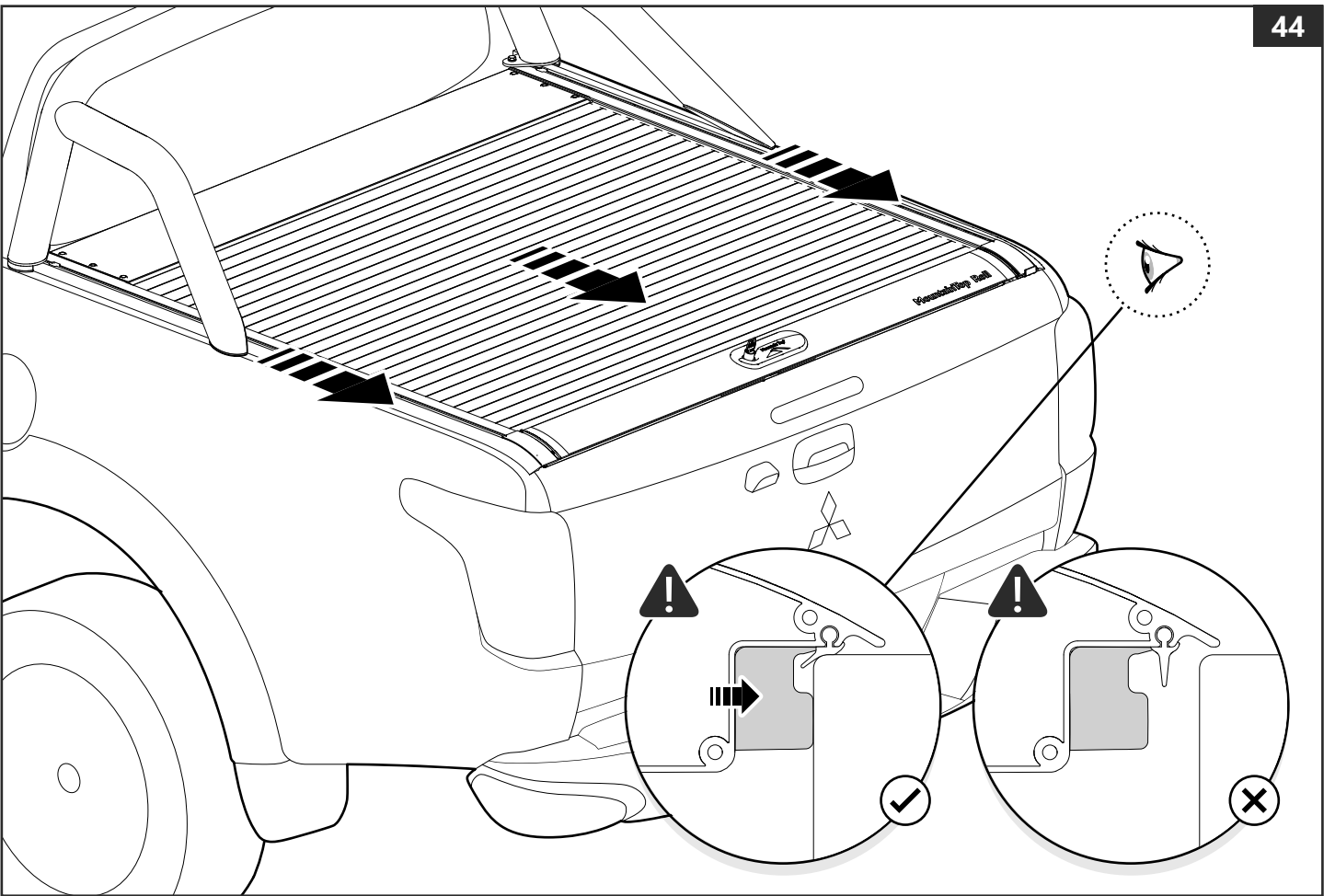
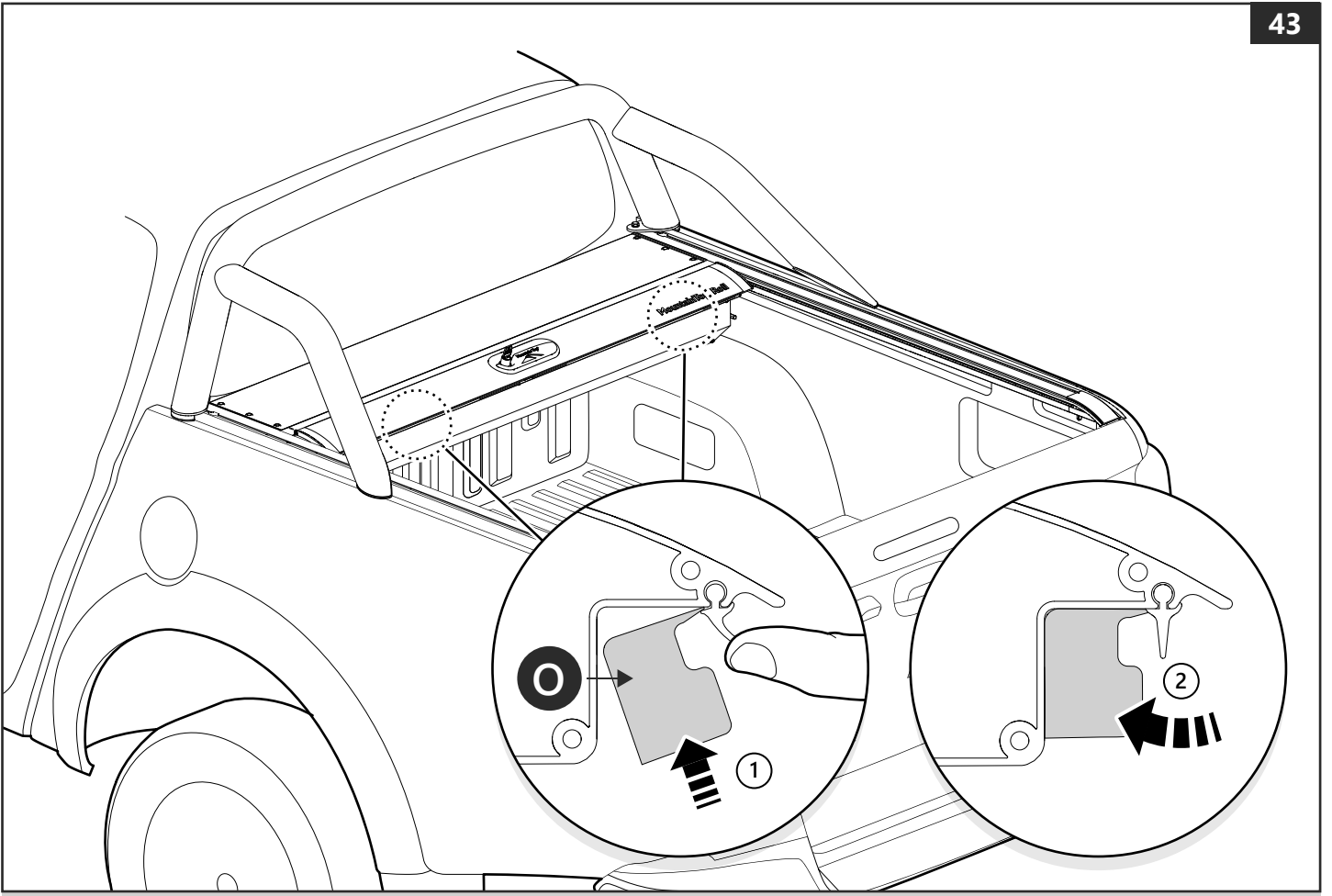


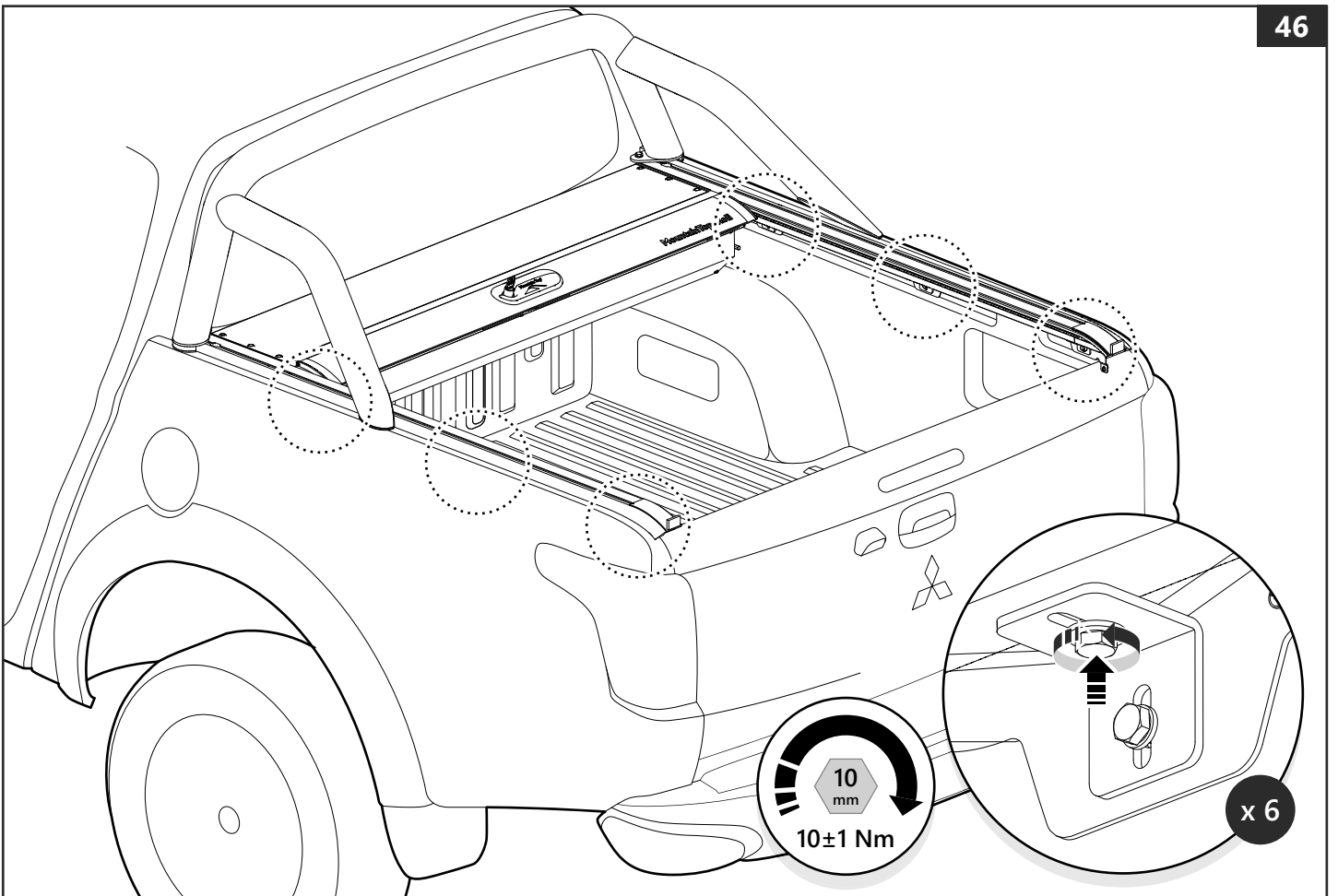
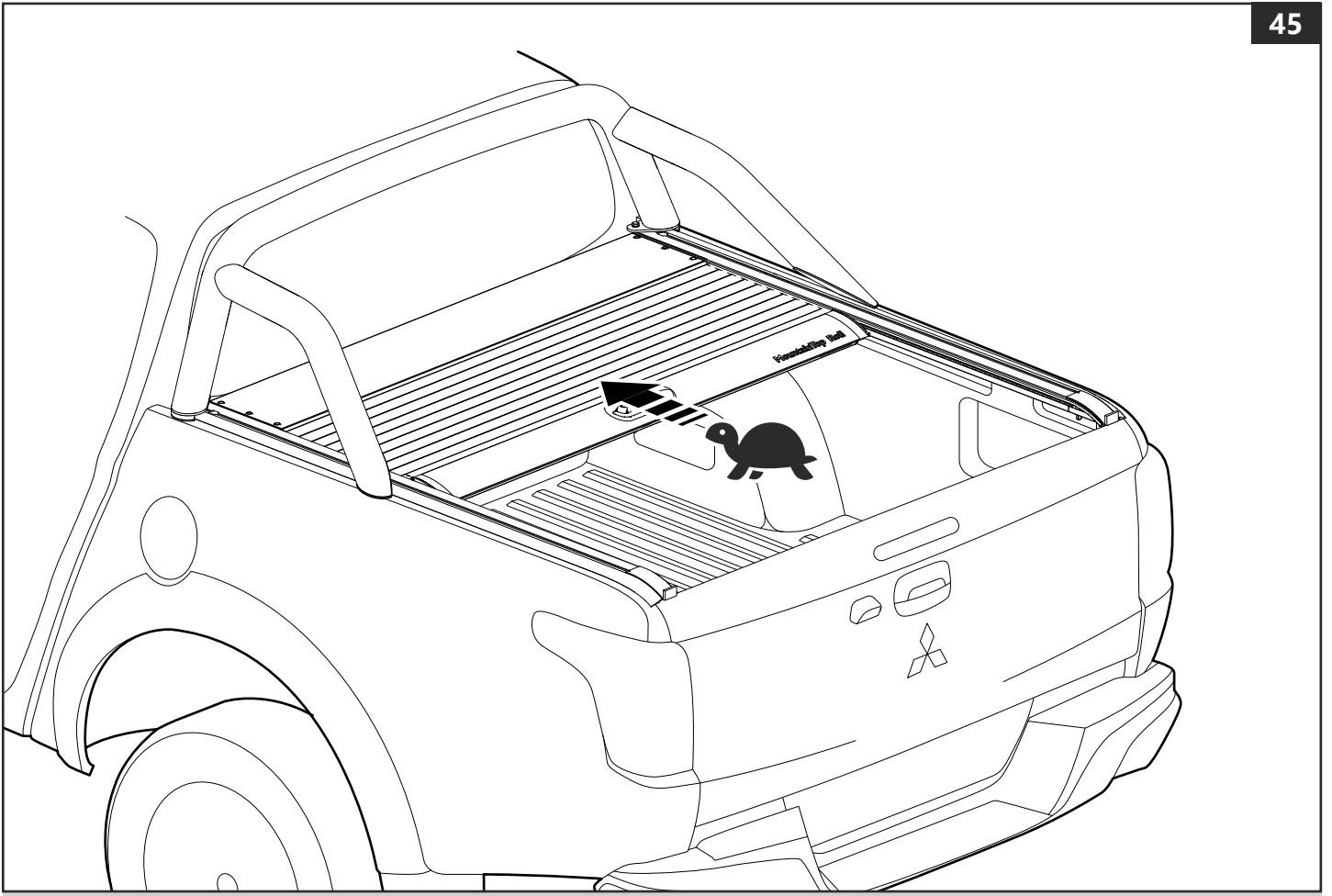


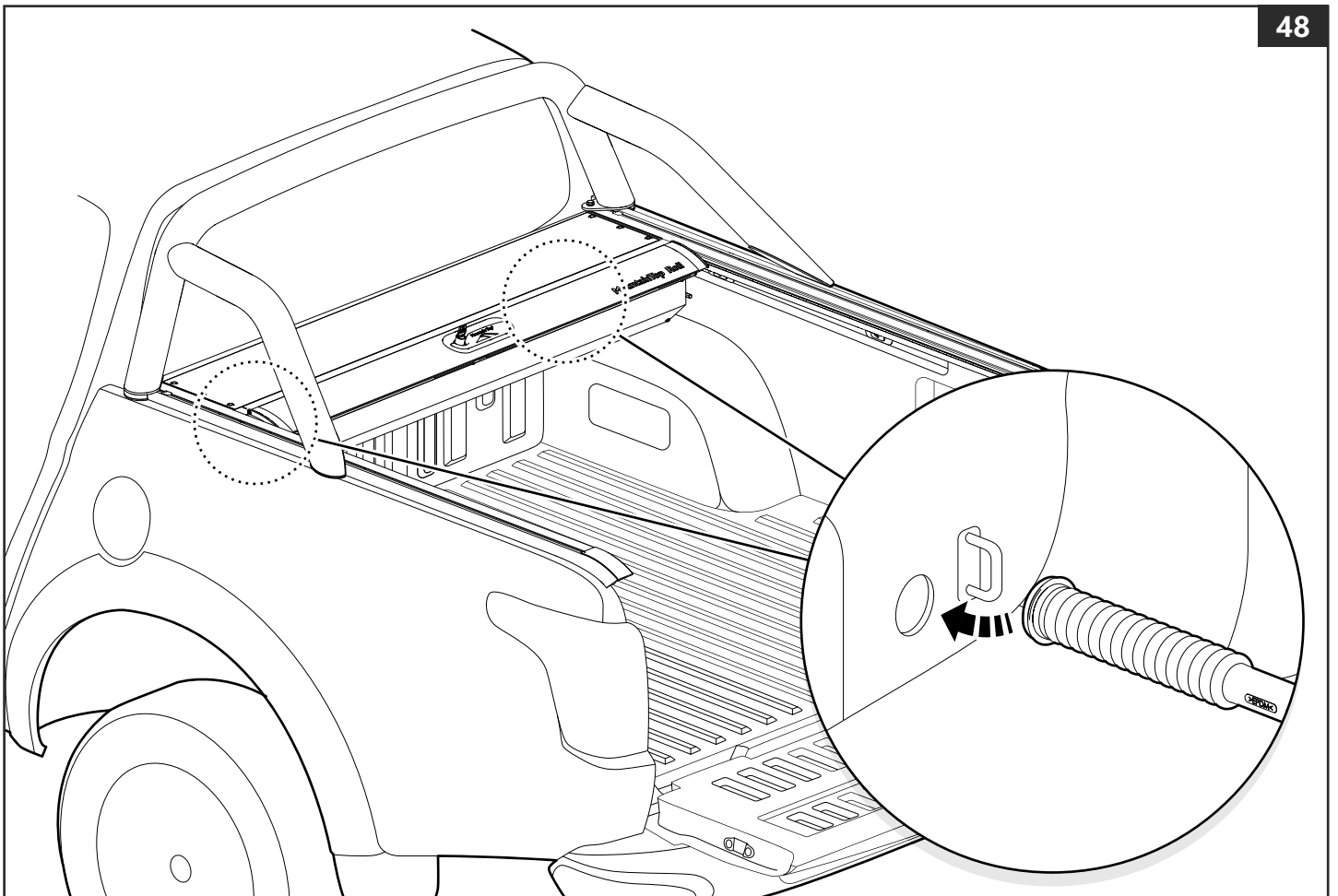
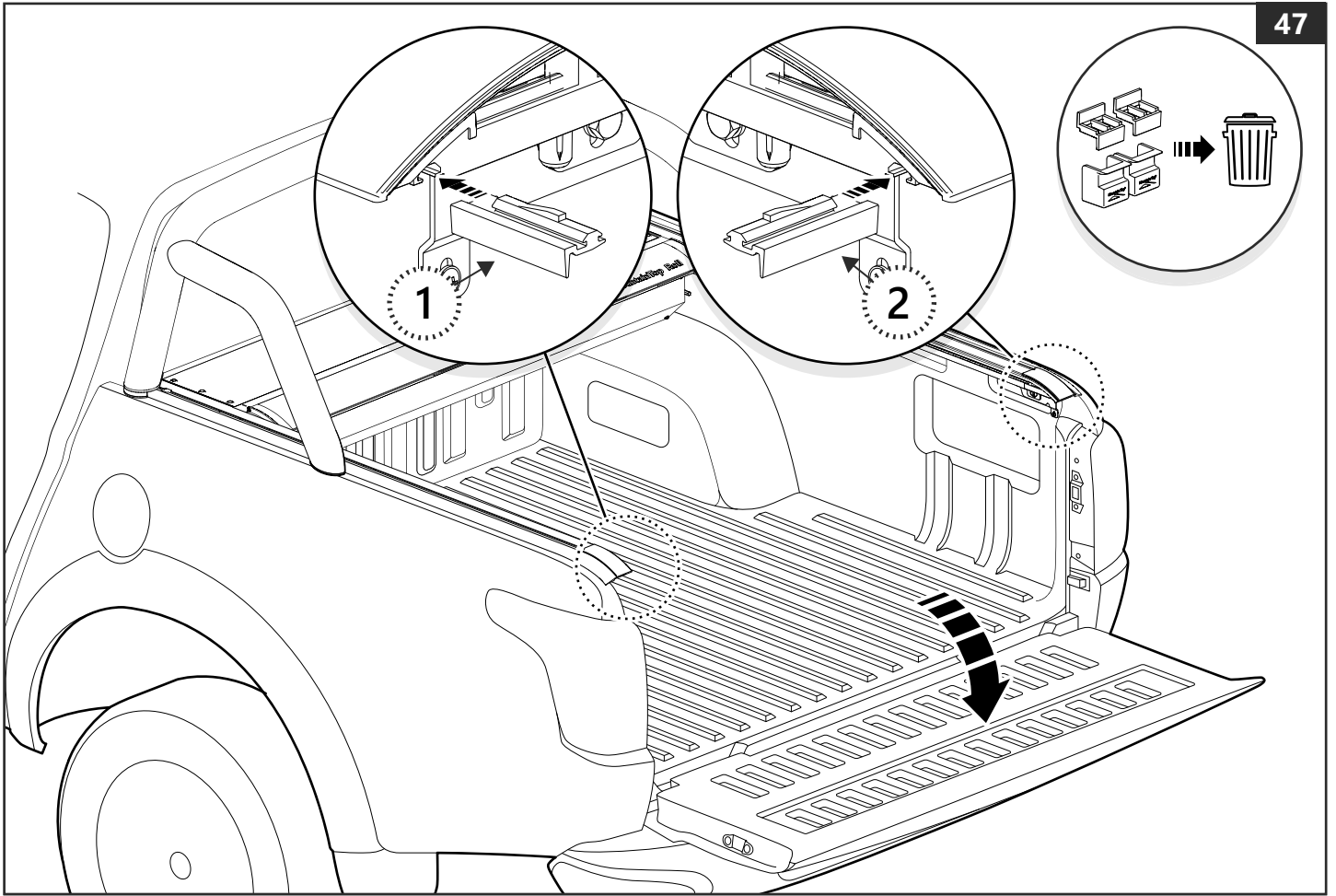


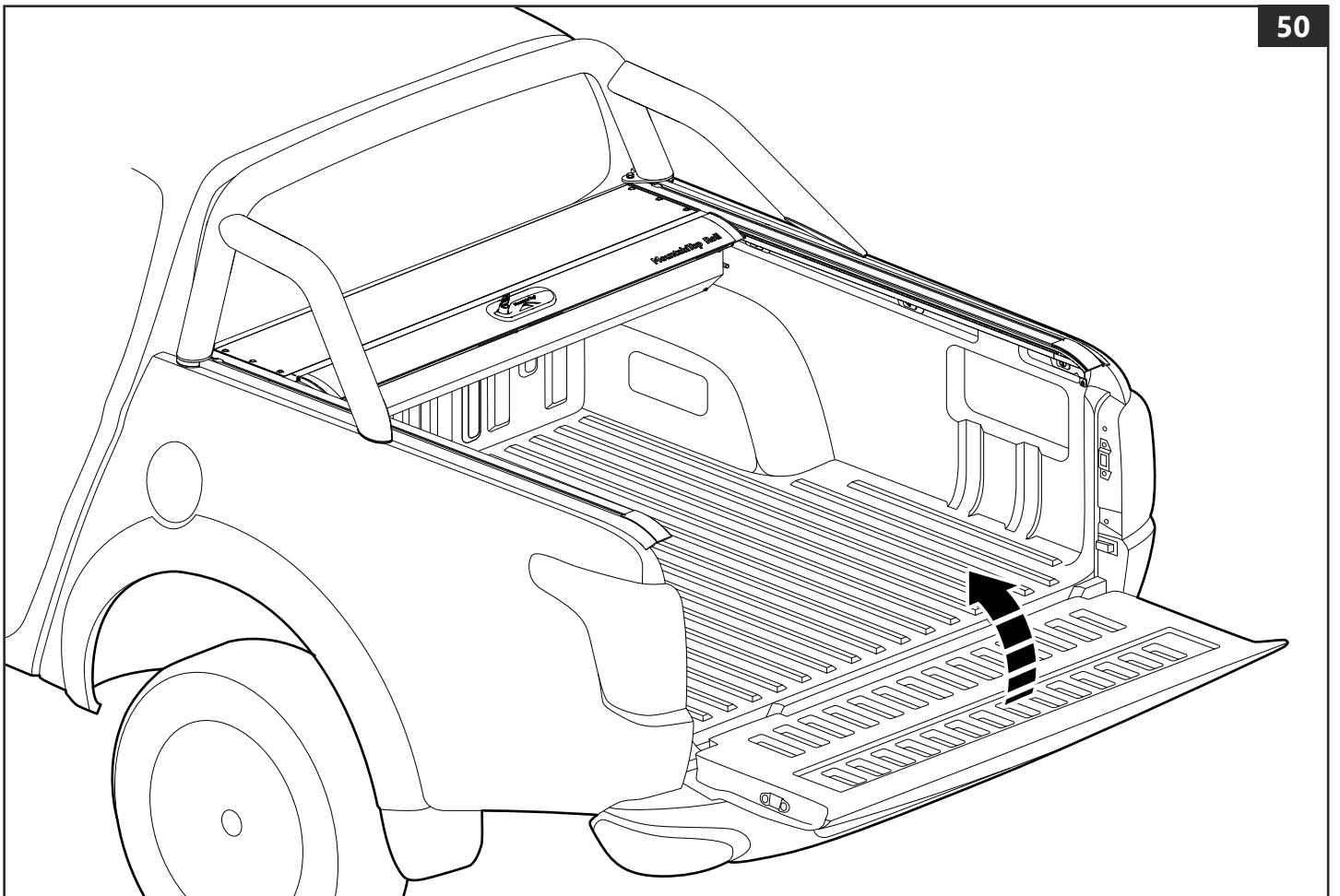
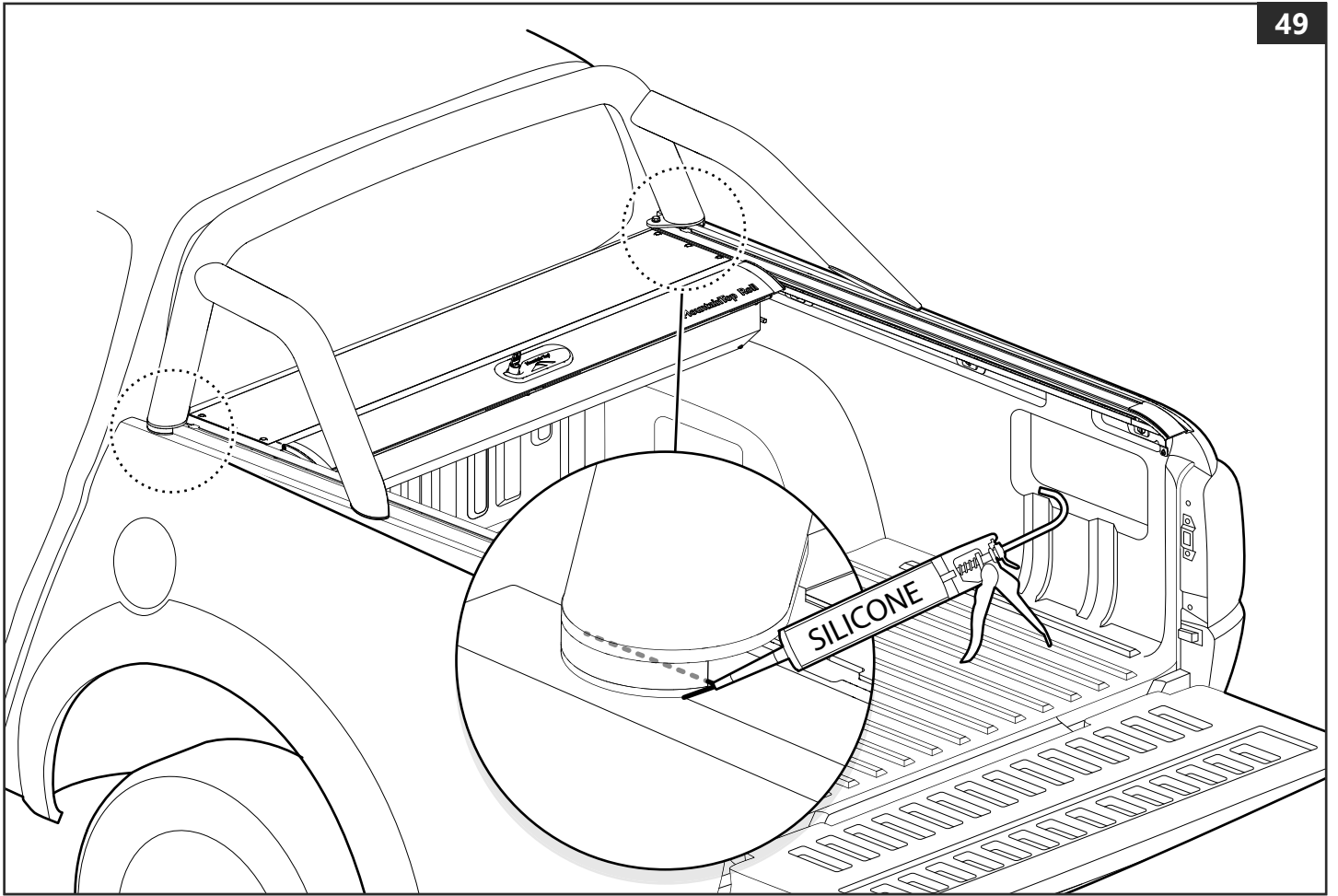














Customer Service +45 4810 2950 (08:00 - 16:00 CET)
Fax +45 4810 2960
Support info@mountaintop.dk
Website www.mountaintop.dk
Address Pedersholmparken 10, 3660 Frederikssund, Denmark

PART NUMBER(S)	MODEL / YEAR	CAB TYPE(S)	INSTALLATION TIME	WEIGHT
SB MI90	Mitsubishi / 2015 →	Double	1 hour(s)	10 Kg

GB Installation manual	S Monteringsanvisning	D Einbauanleitung
SF Asennusohje	E Instrucciones de montaje	CZ Návod k instalaci
F Notice de montage	H Szerelési utasítás	I Istruzioni de montaggio
PL Instrukcja montażu	P Instruções de instalação	GR Οδηγίες Εγκατάστασης
NL Installatie-instructies	RUS Инструкция по установке	DK Monteringsvejledning
TR Montaj Talimatı	N Monteringsveiledning	RO Instructiuni de instalare