

# Mountain Top® Sports Bar

Installation manual



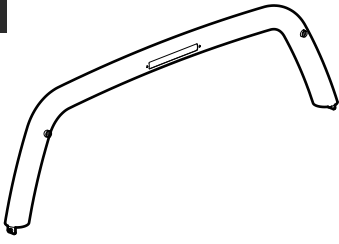
DOWNLOAD PDF





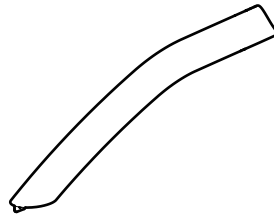
Parts

**A**



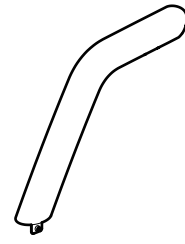
x 1

**B**



x 1

**C**



x 1



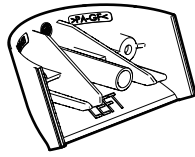
Kit

**D**



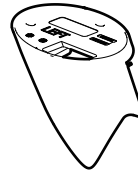
x 1

**E**



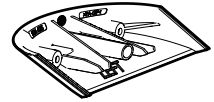
x 1

**F**



x 1

**G**



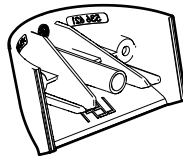
x 1

**H**



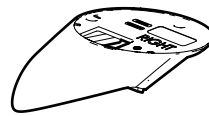
x 1

**I**



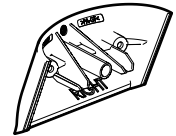
x 1

**J**



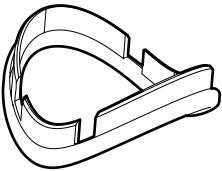
x 1

**K**



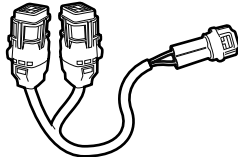
x 1

**L**



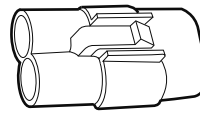
x 2

**M**



x 1

**N**



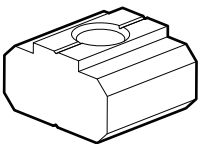
x 1

**O**



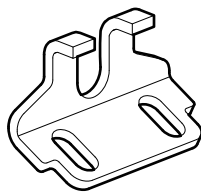
x 2

**P**



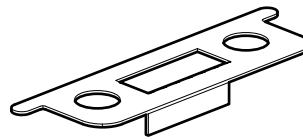
x 8

**Q**



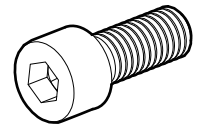
x 4

**R**



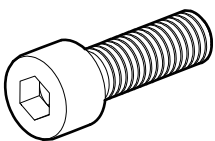
x 4

**S**



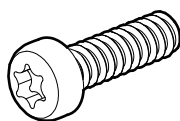
x 4

**T**



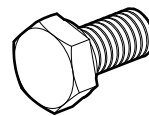
x 2

**U**



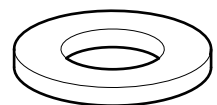
x 8

**V**



x 8

**W**

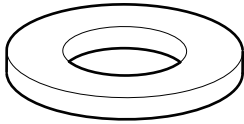


x 8



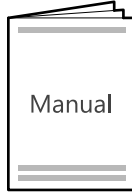
Kit

**X**



x 6

**Y**



x 1

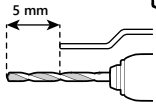
**Z**



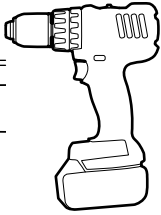
x 1



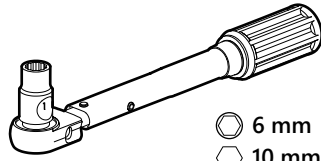
Tools and materials needed



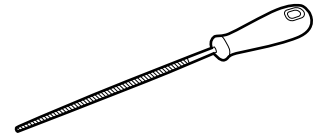
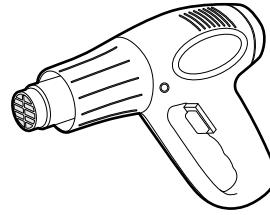
Ø 10 mm

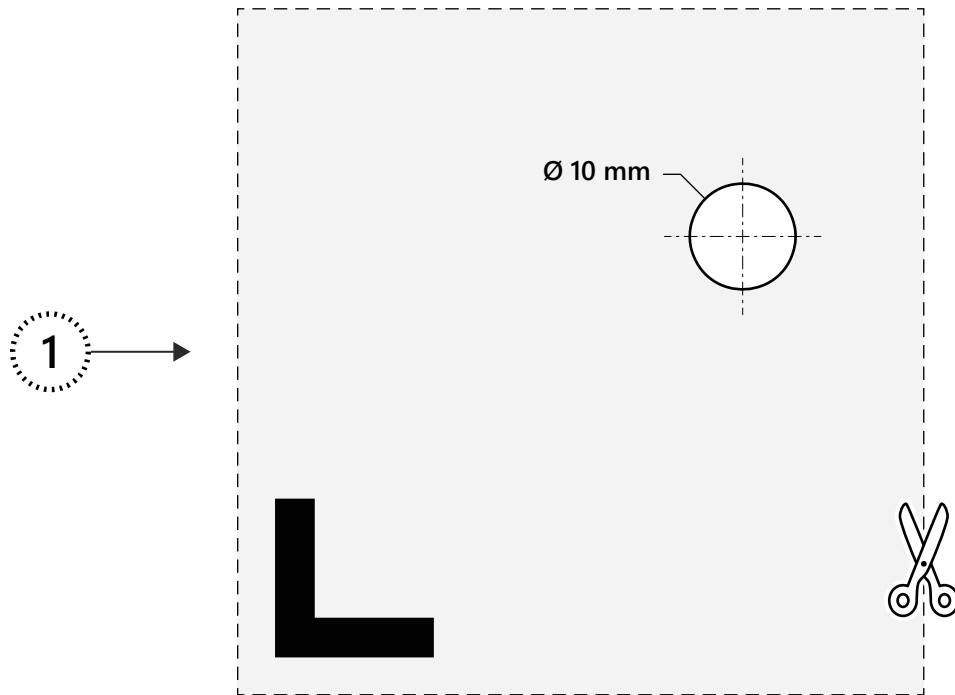


1-25 Nm

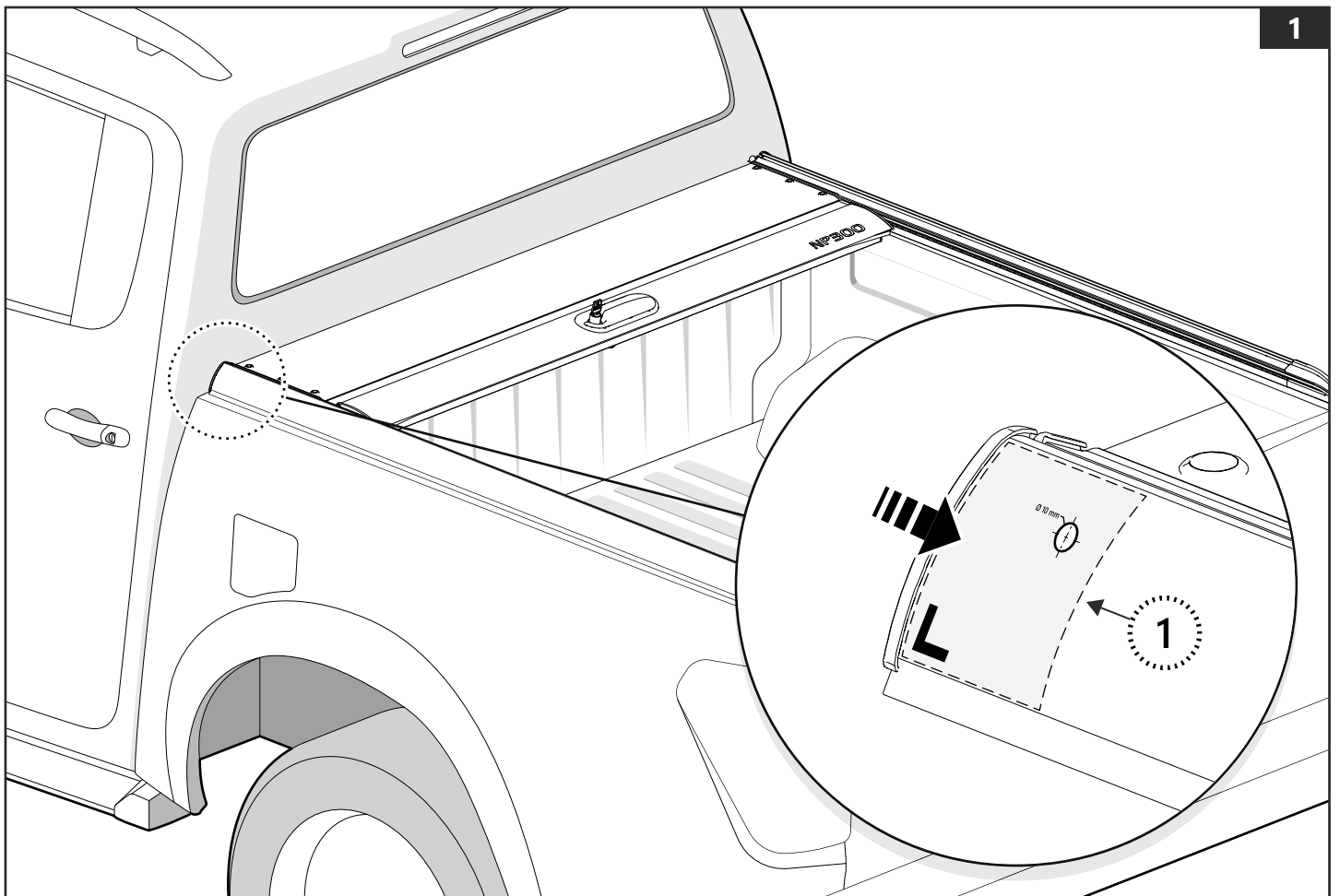


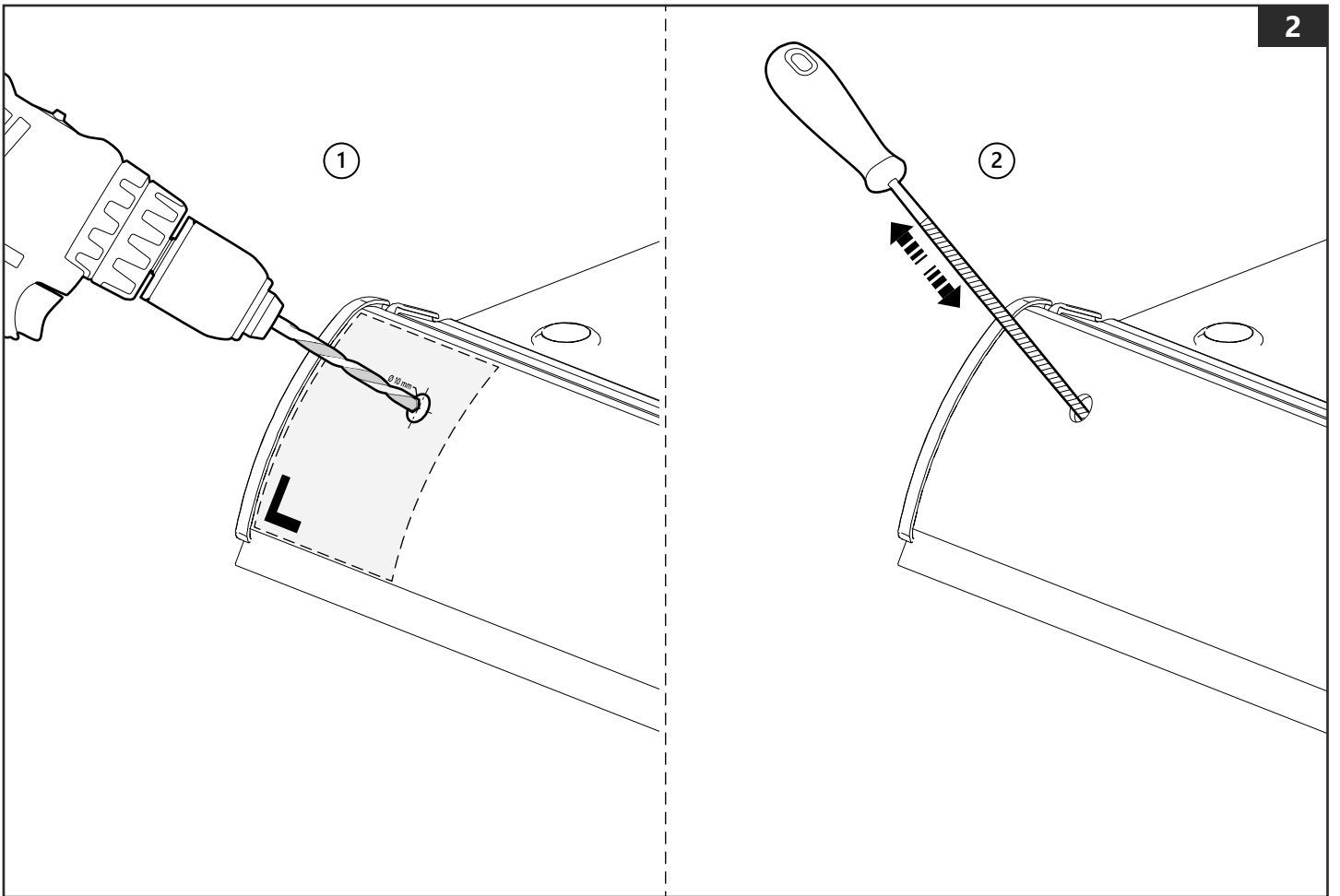
- 6 mm
- 10 mm
- T15

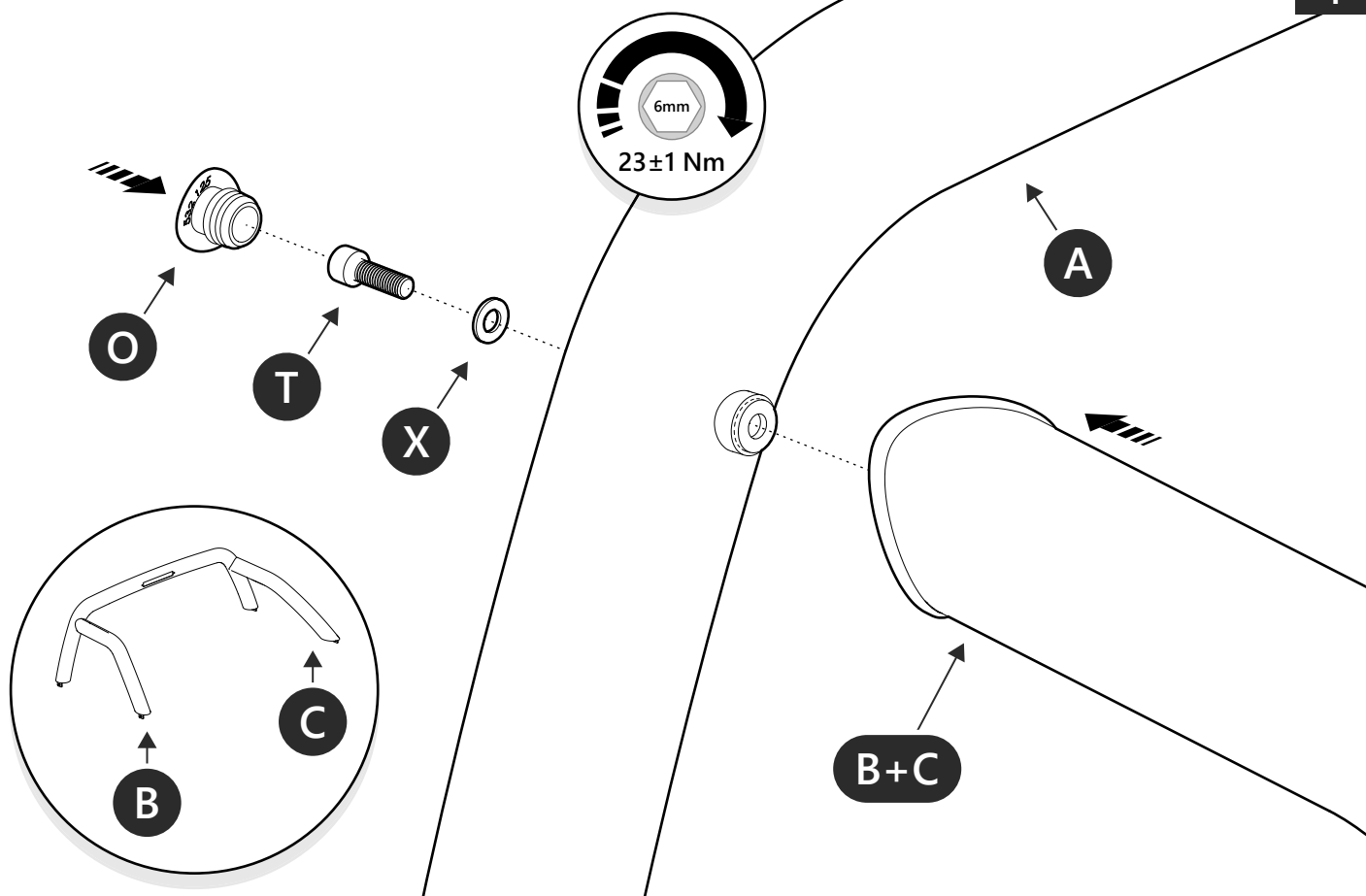
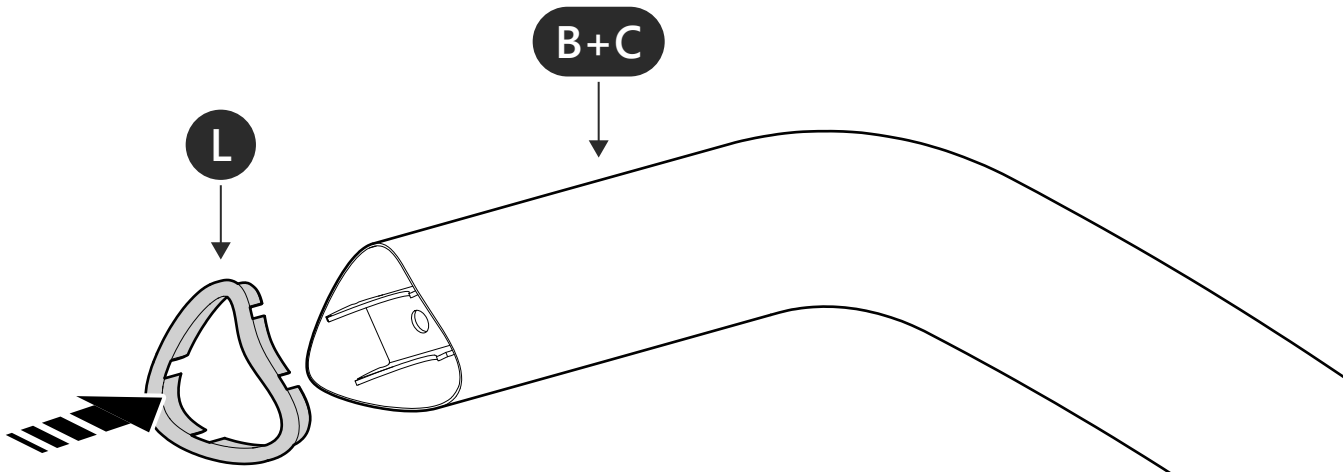




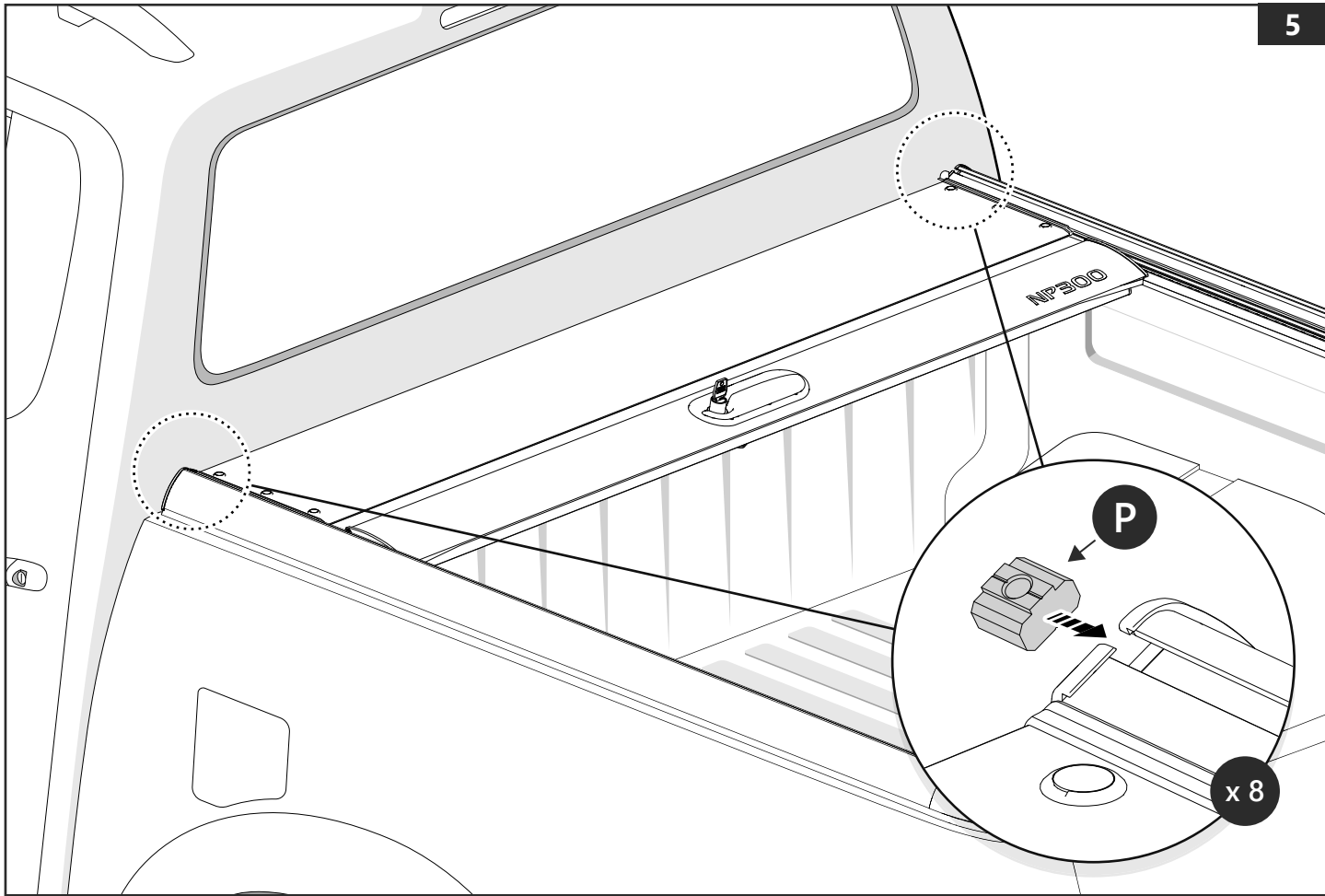
SCALE 1:1 PRINTED IN A5



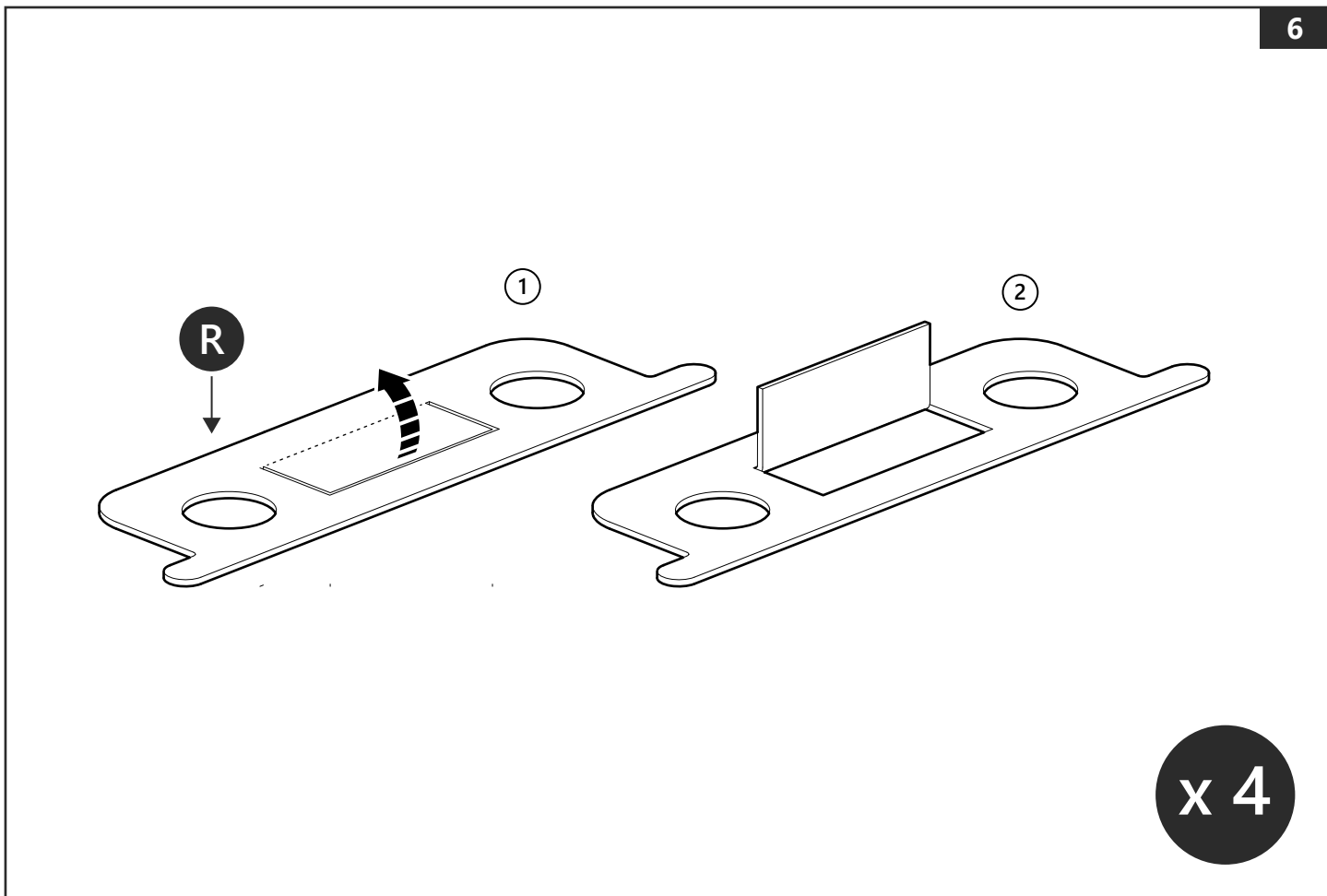




5

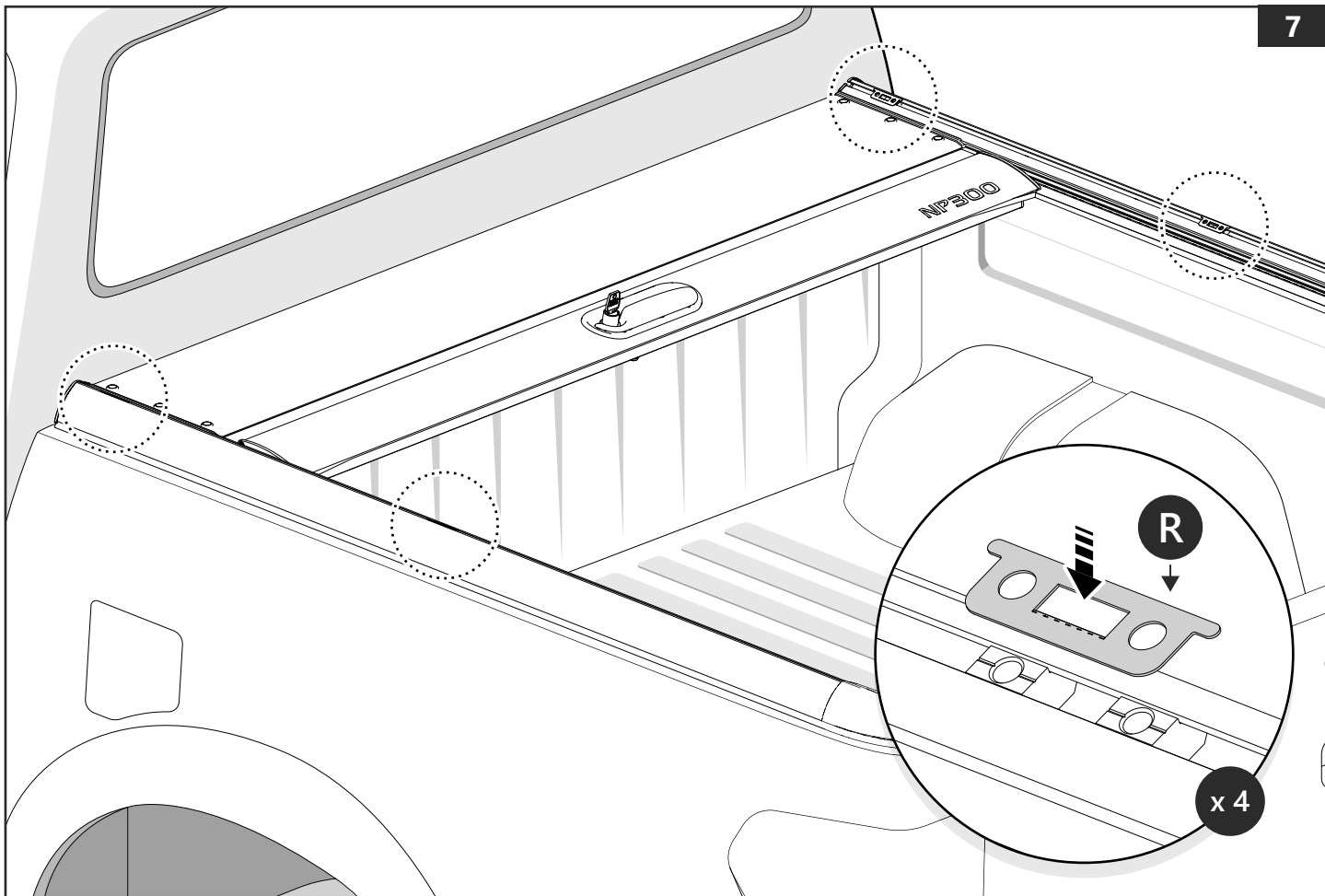


6

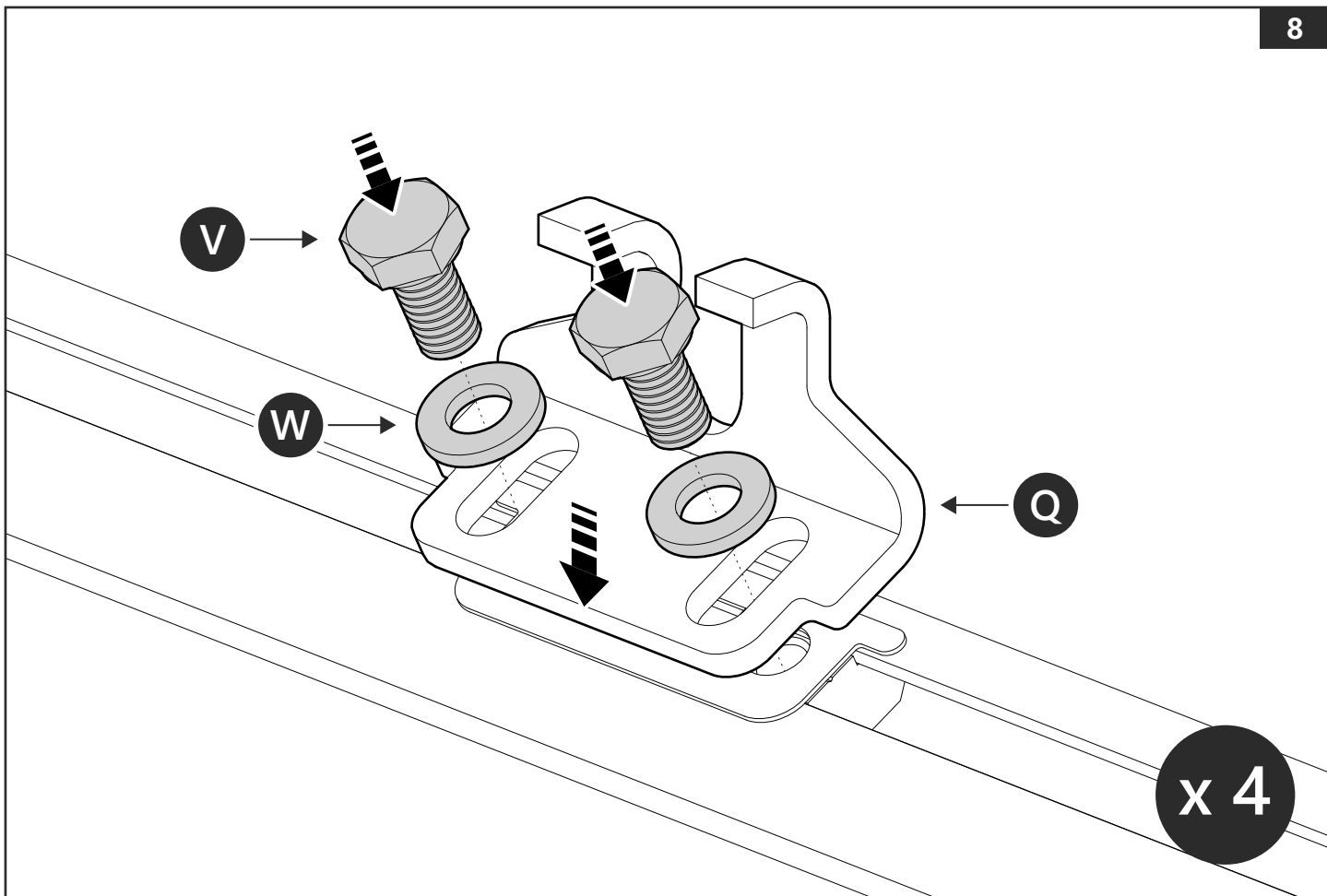


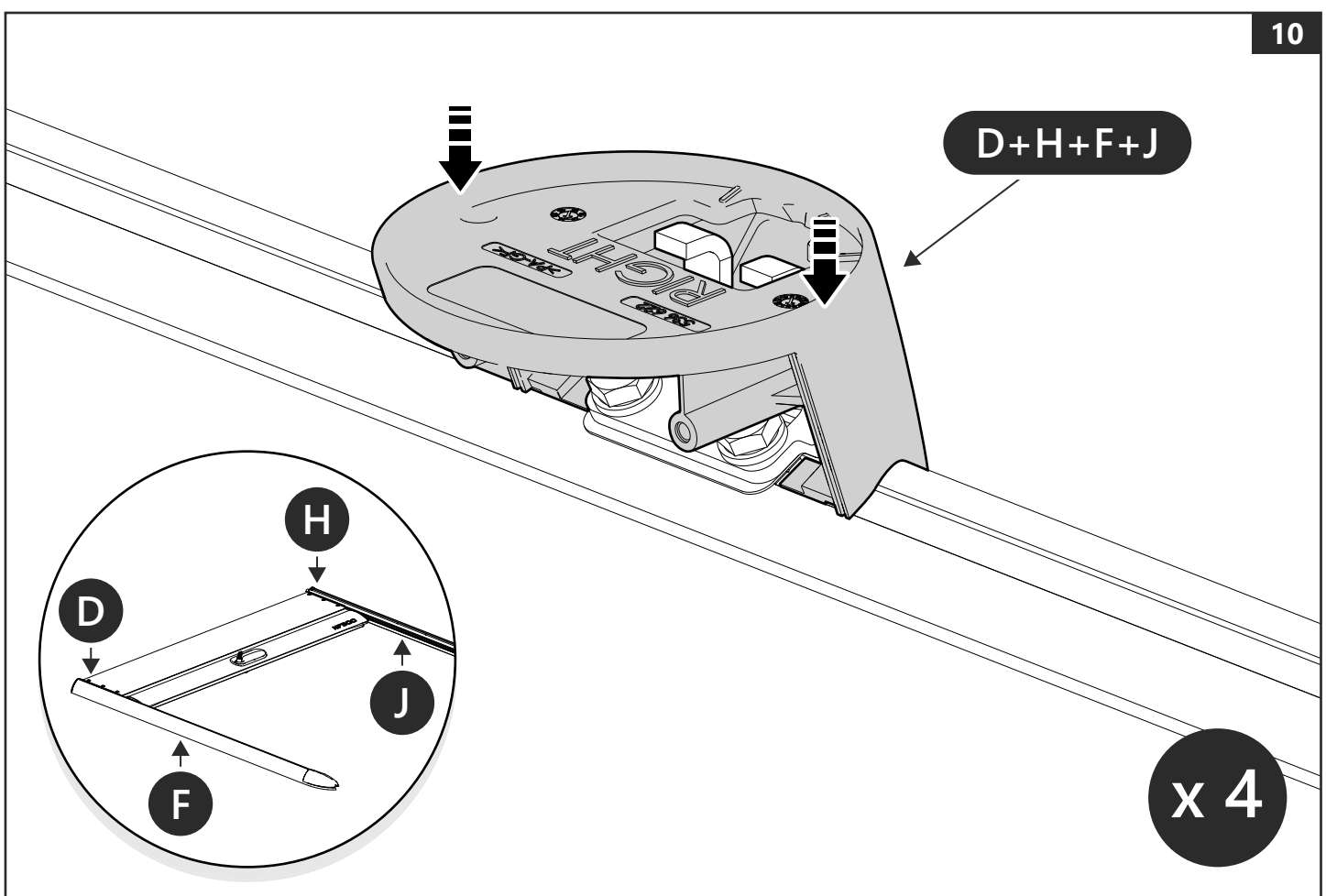
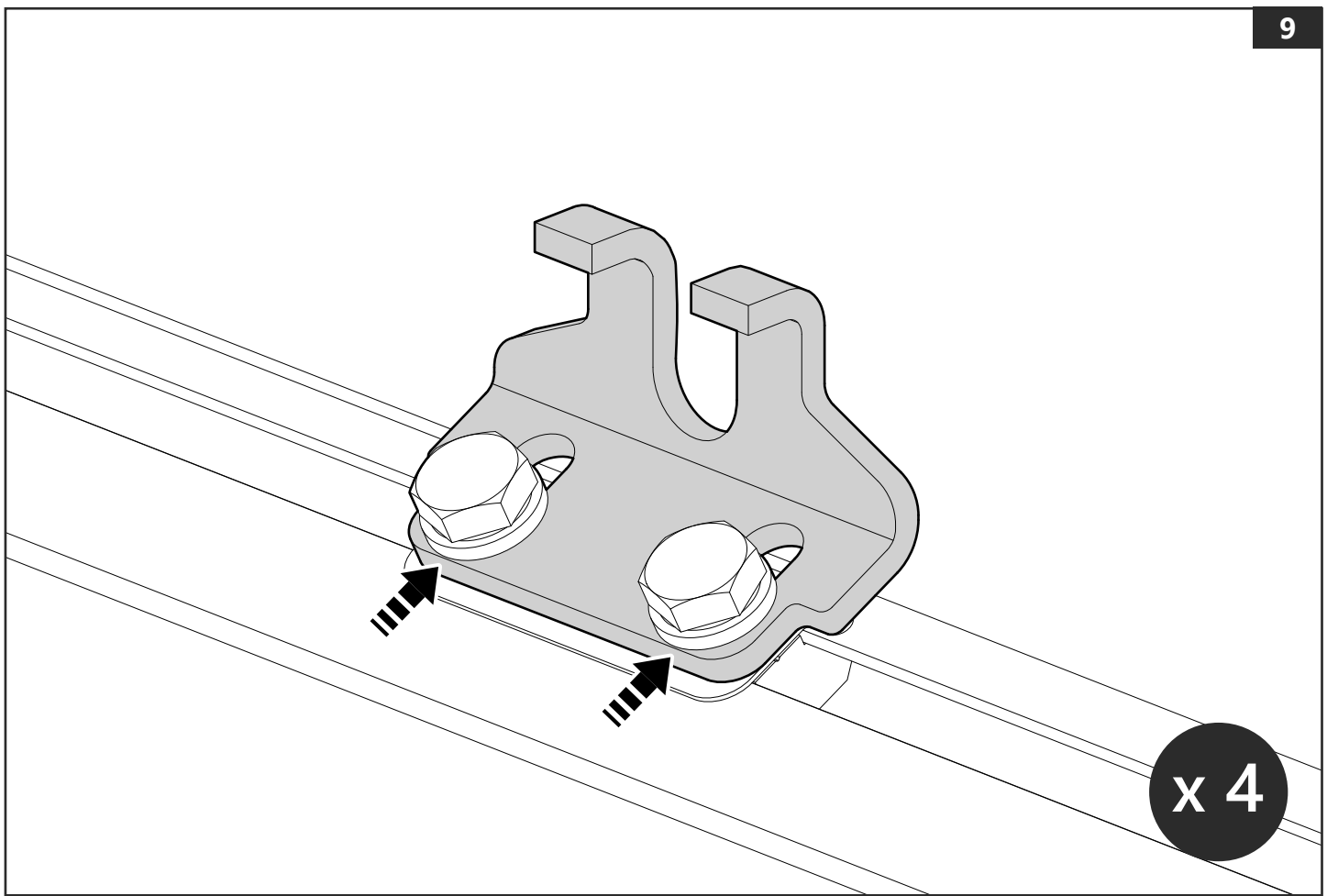


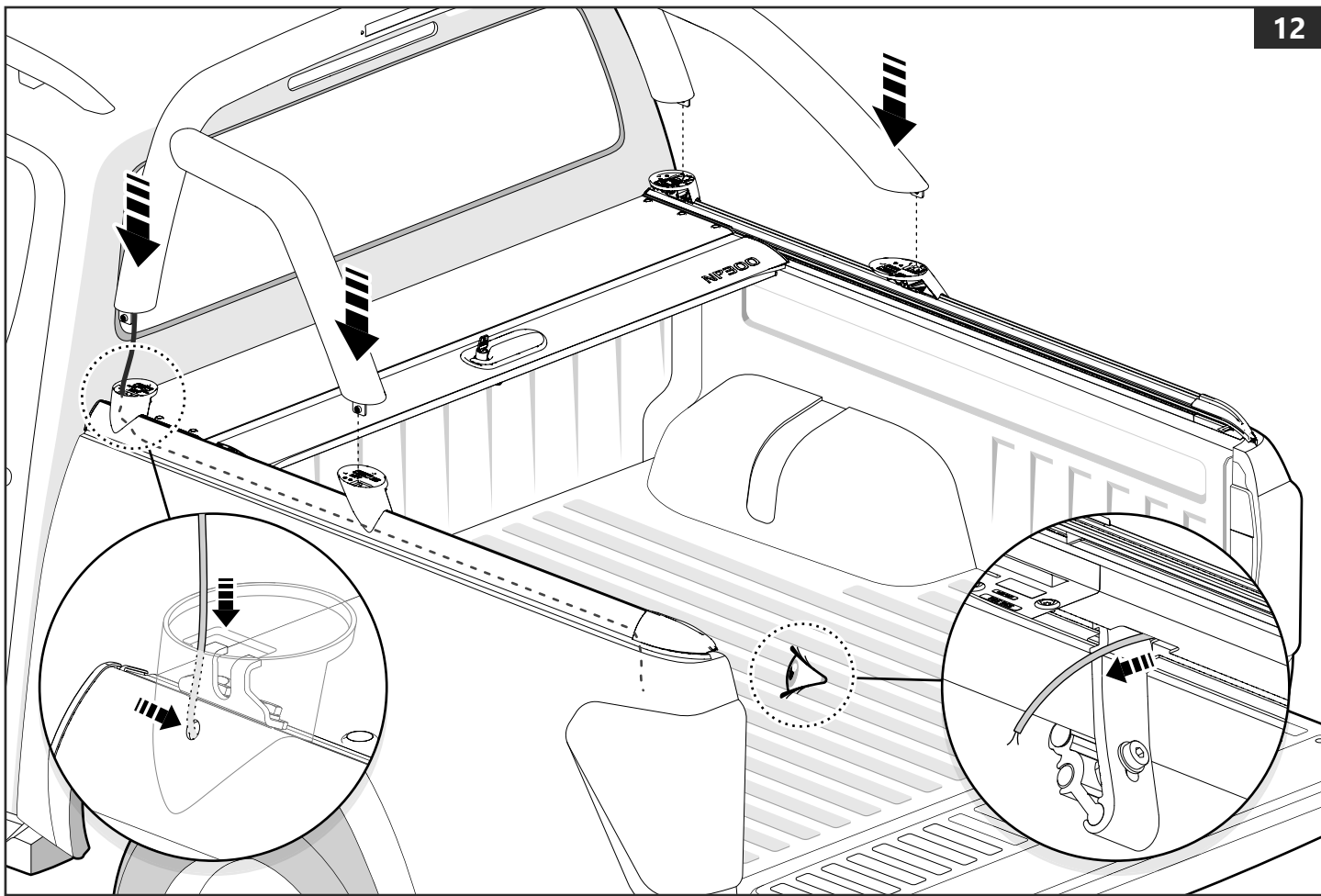
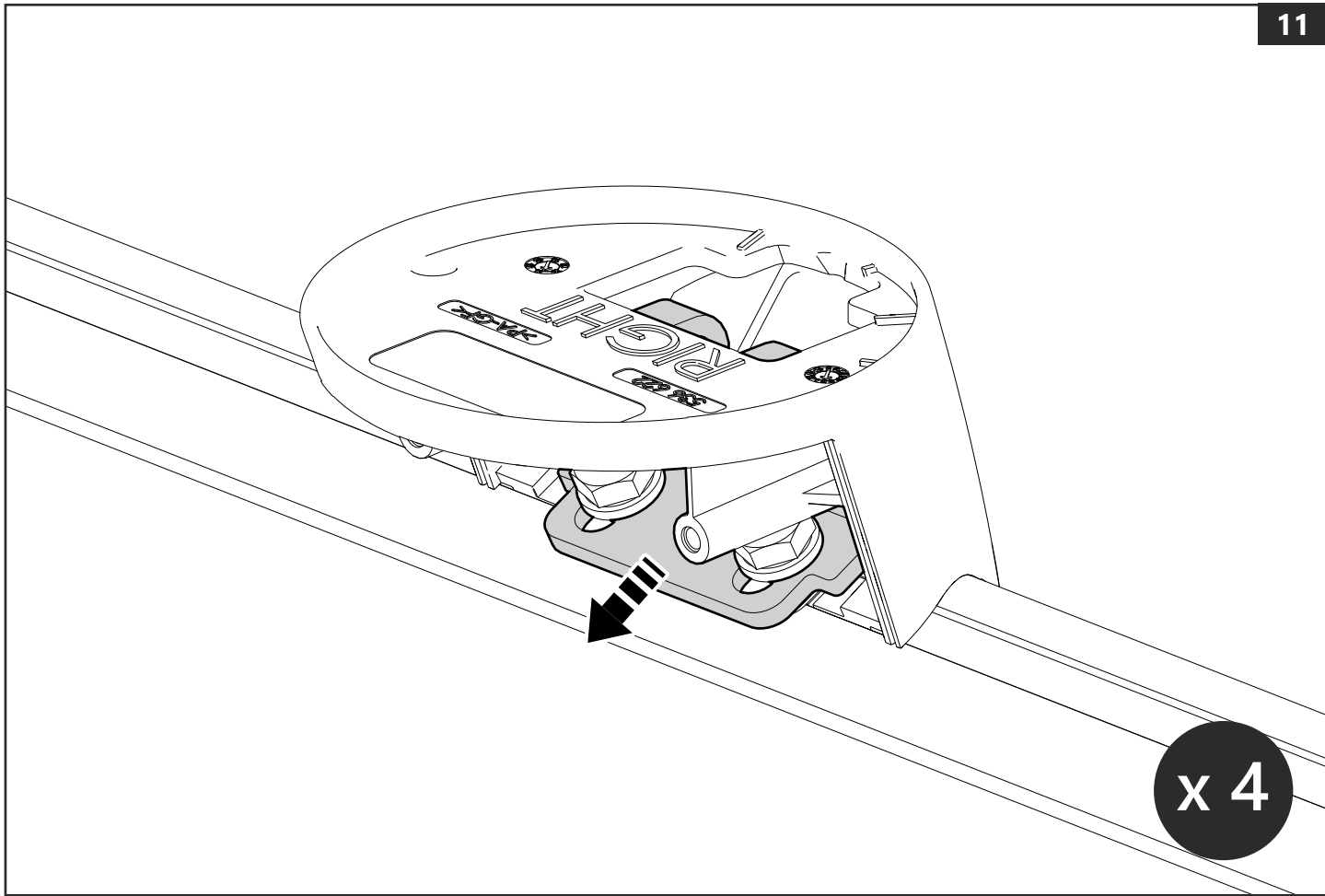
7

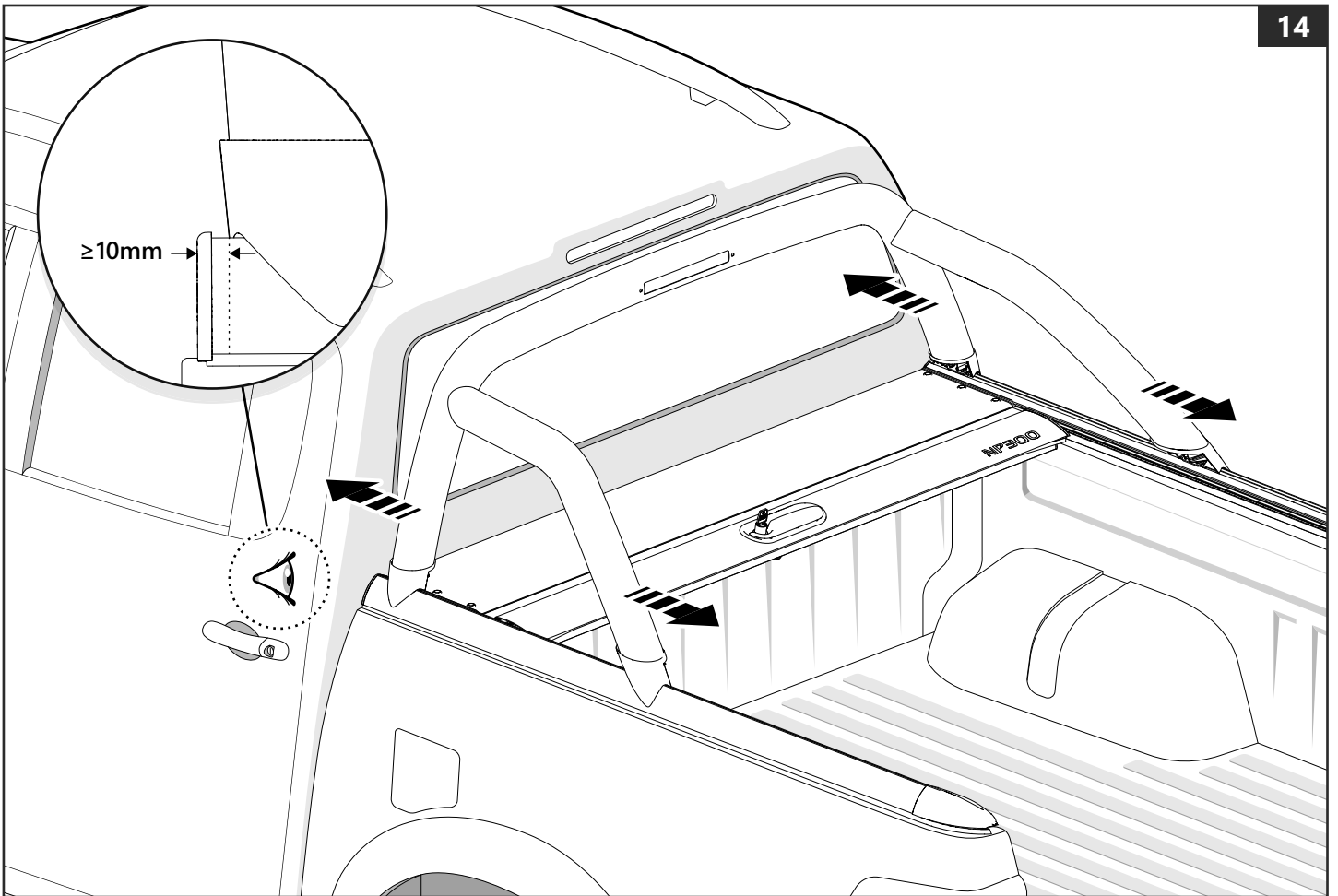
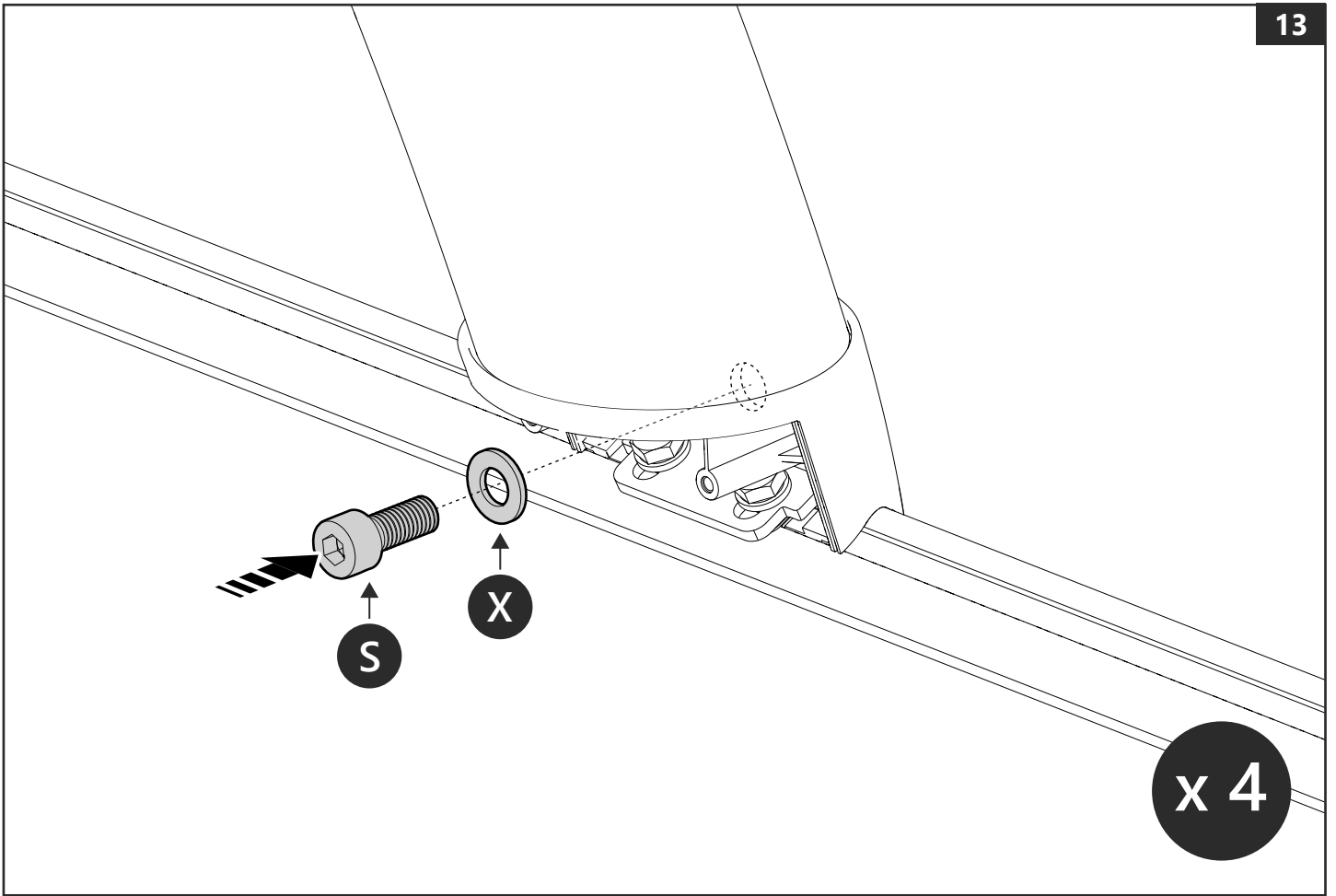


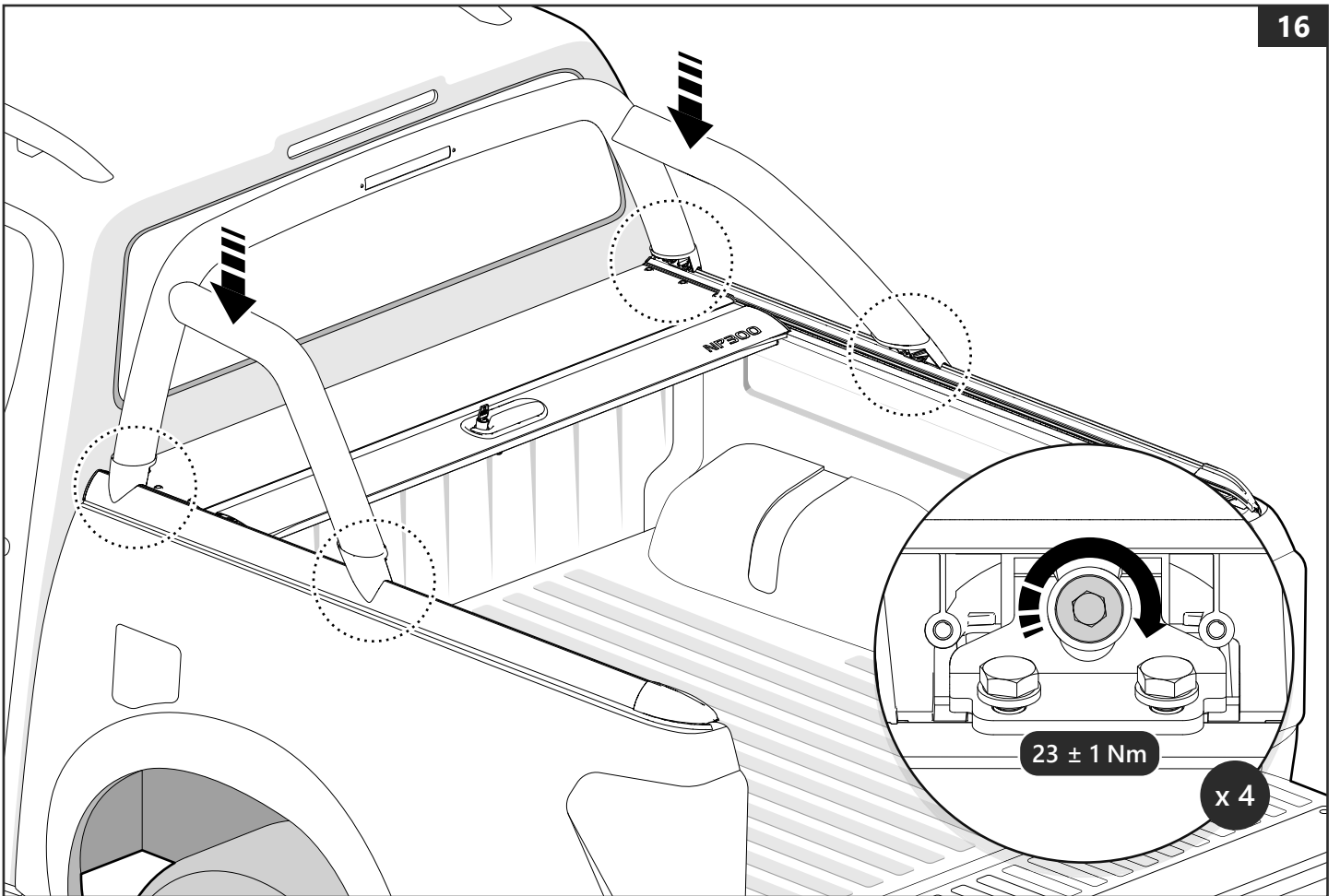
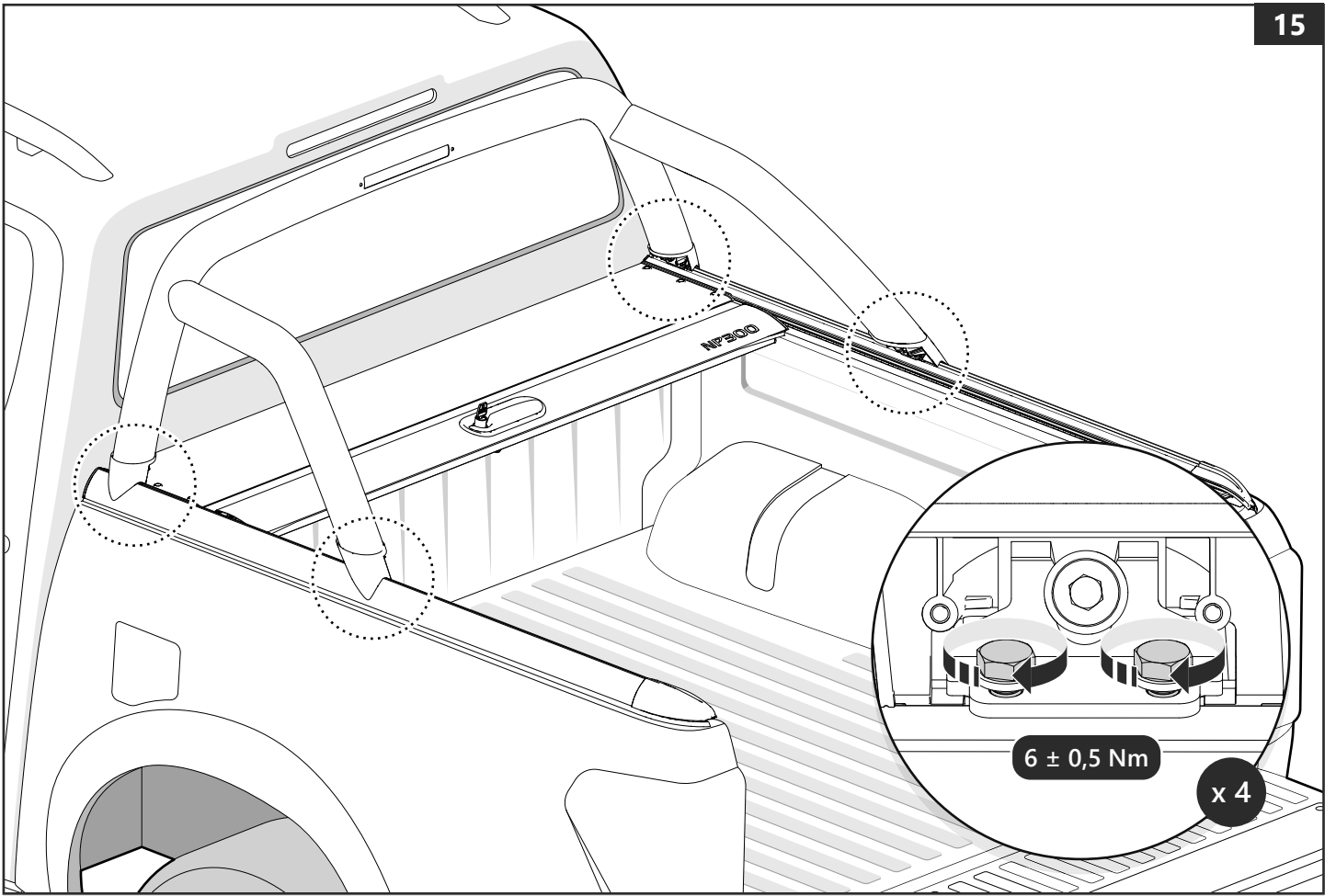
8

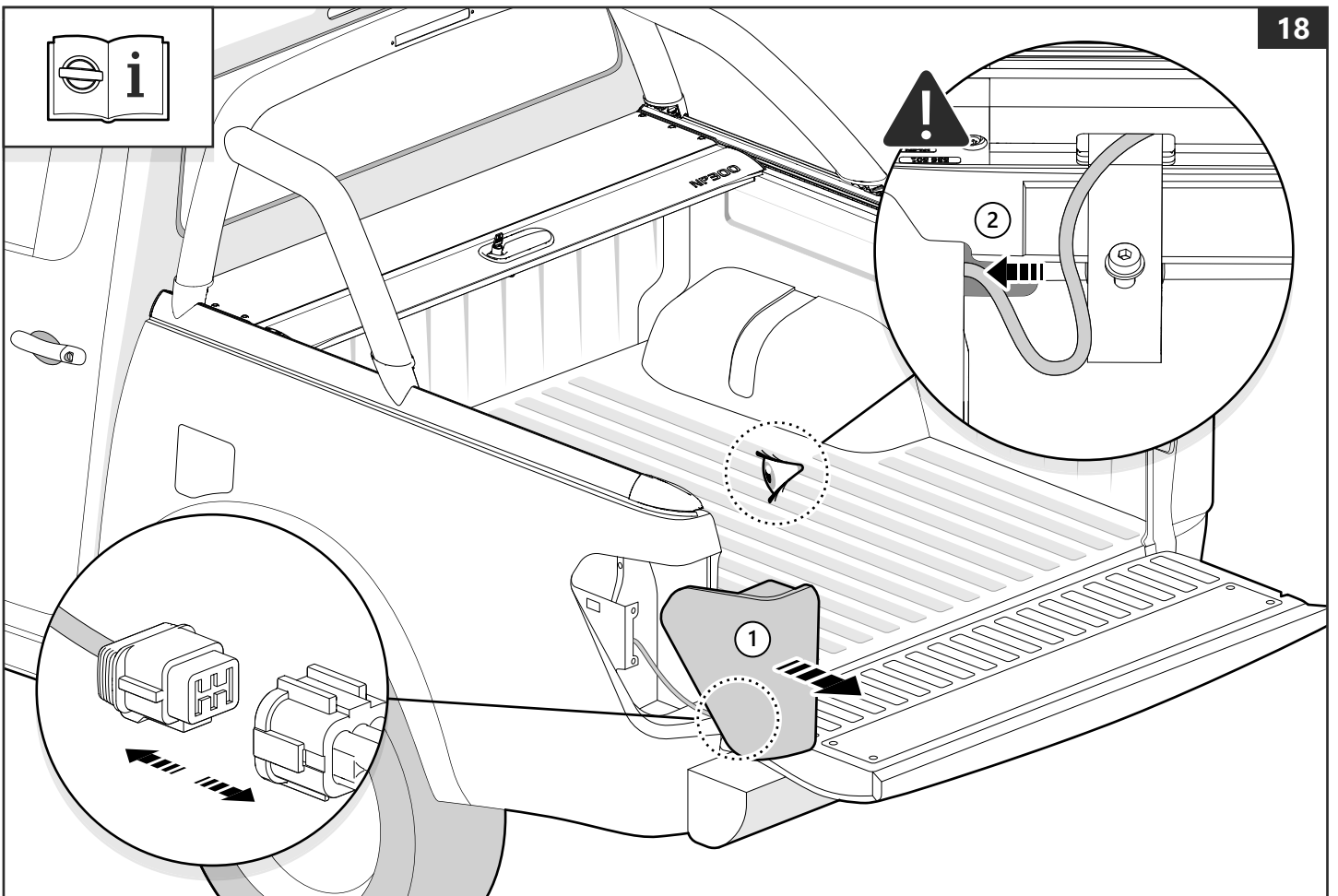
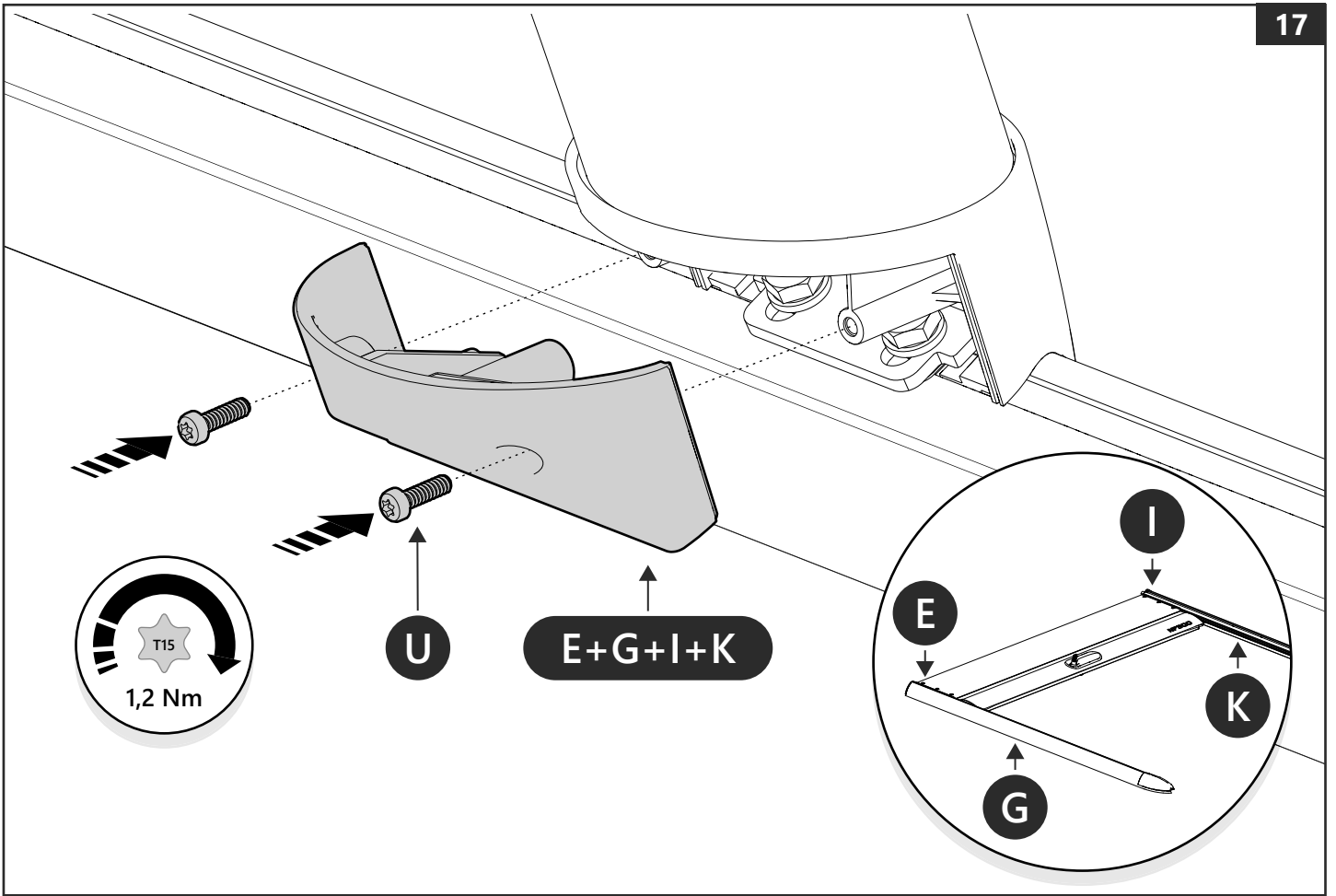


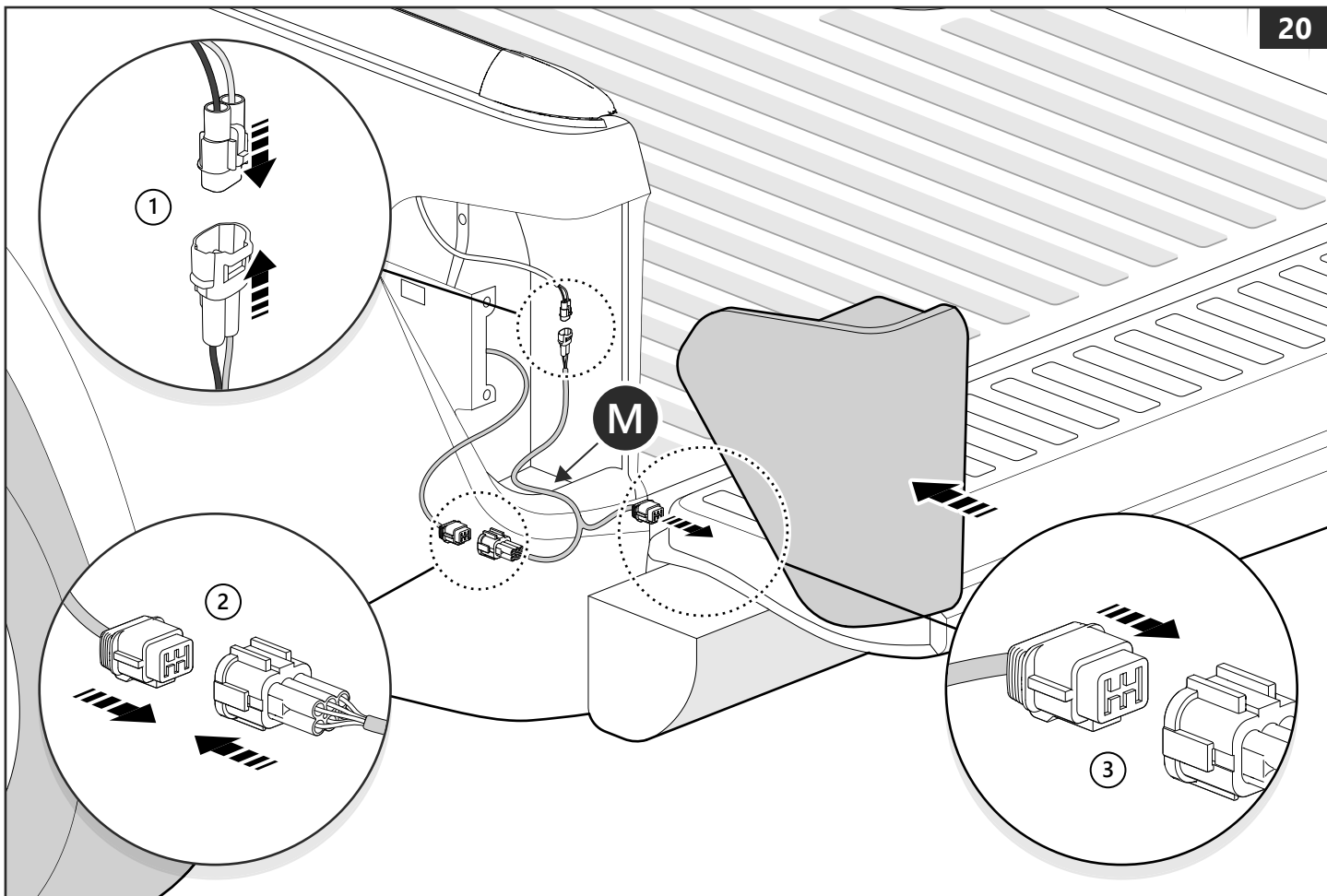
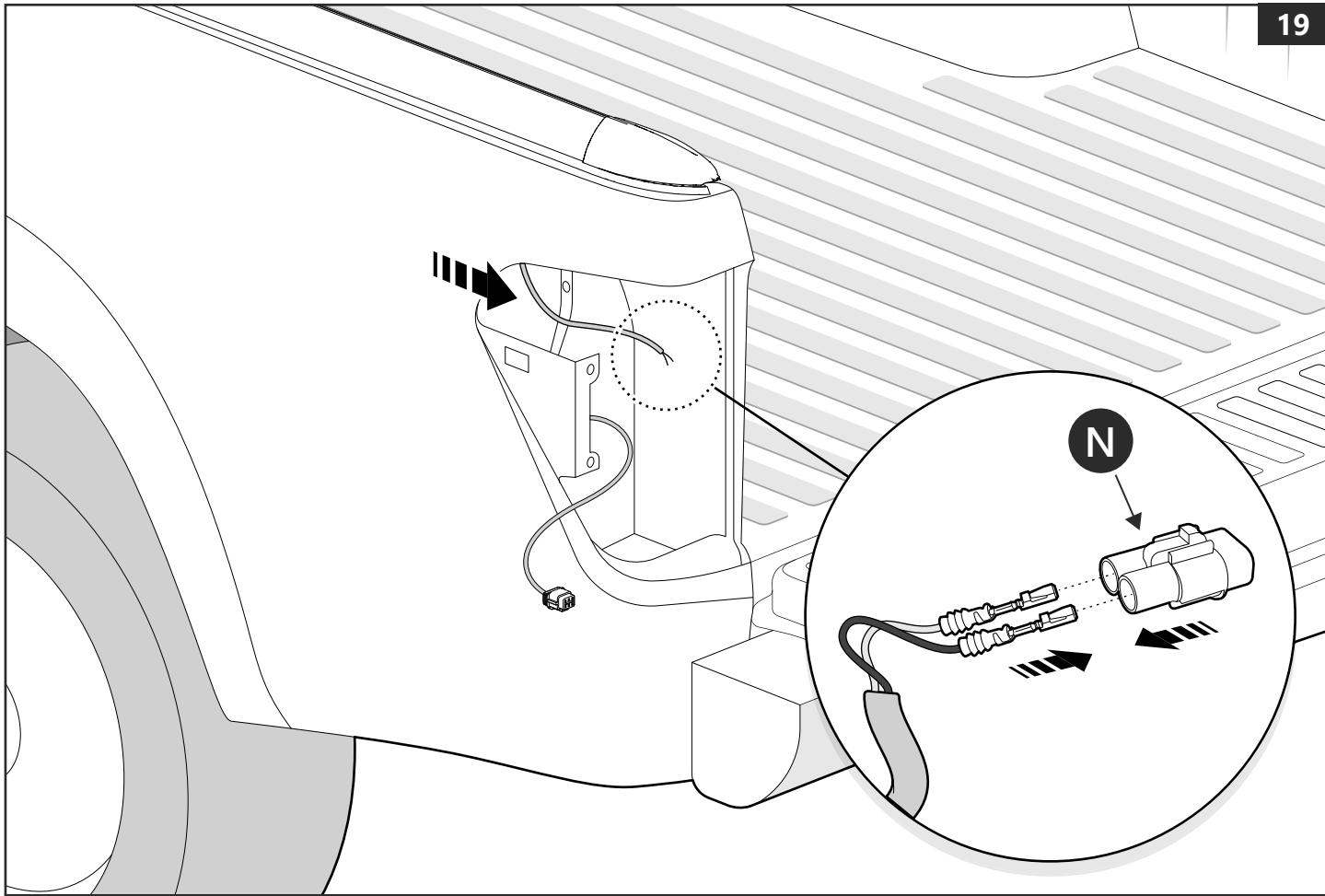


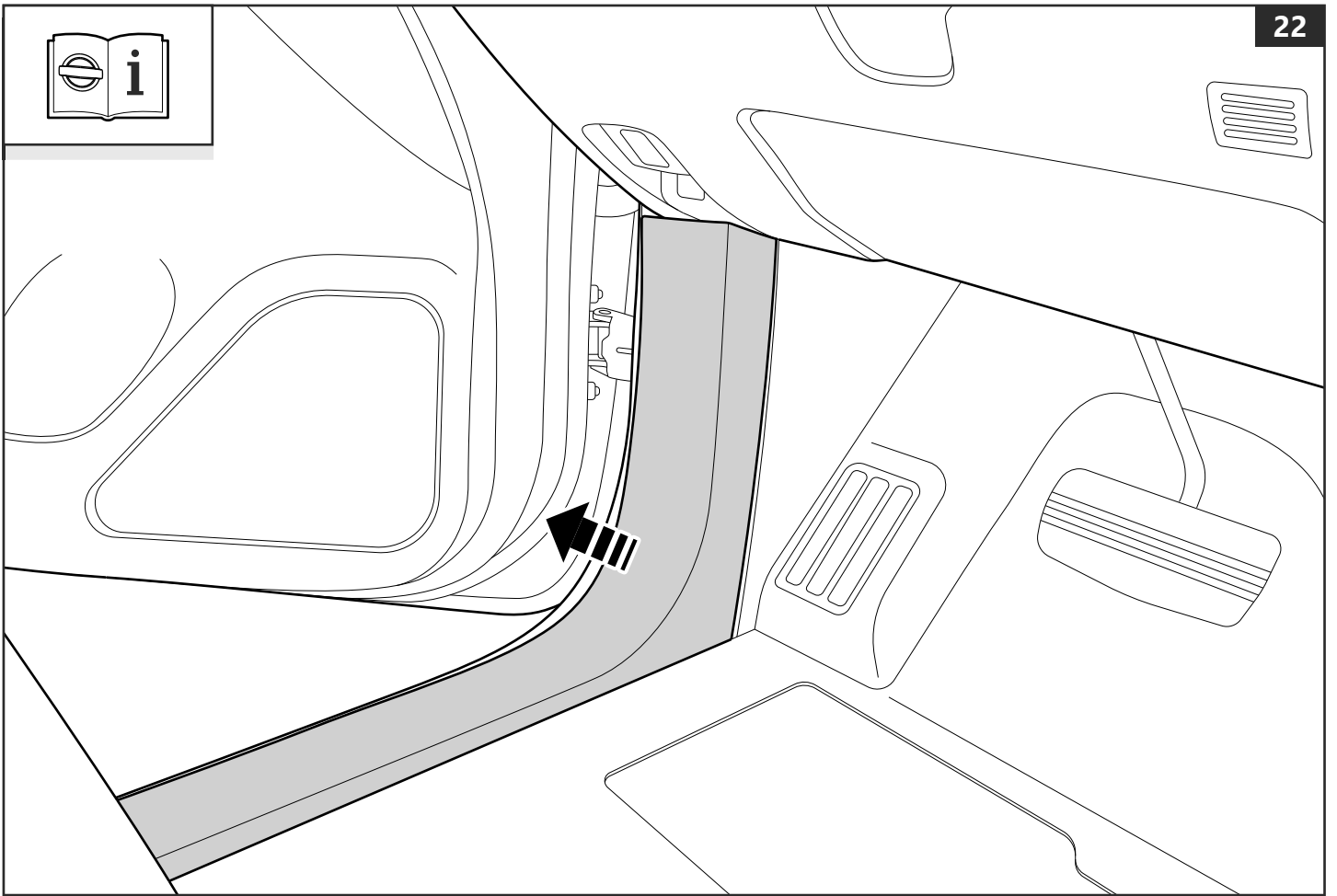
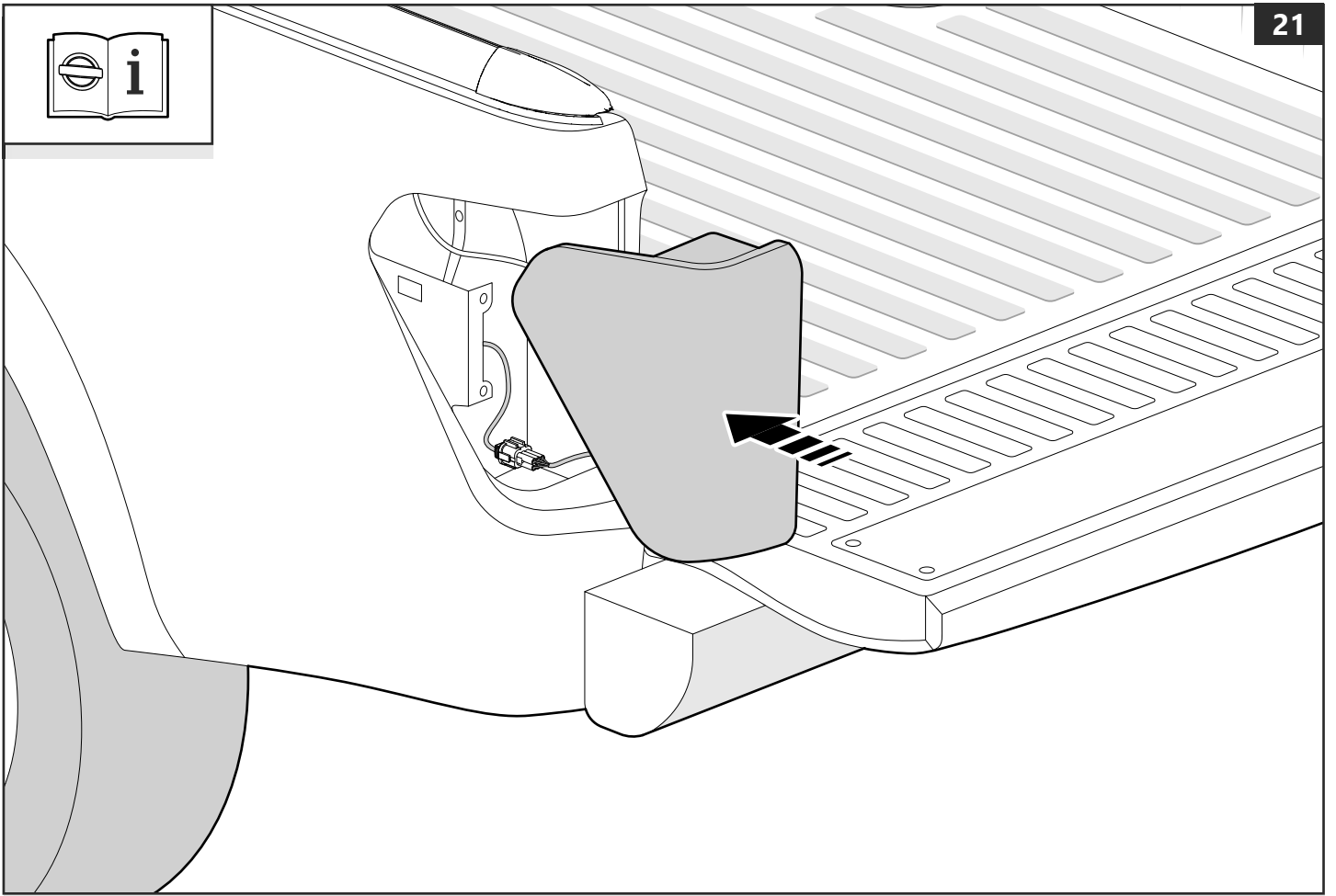




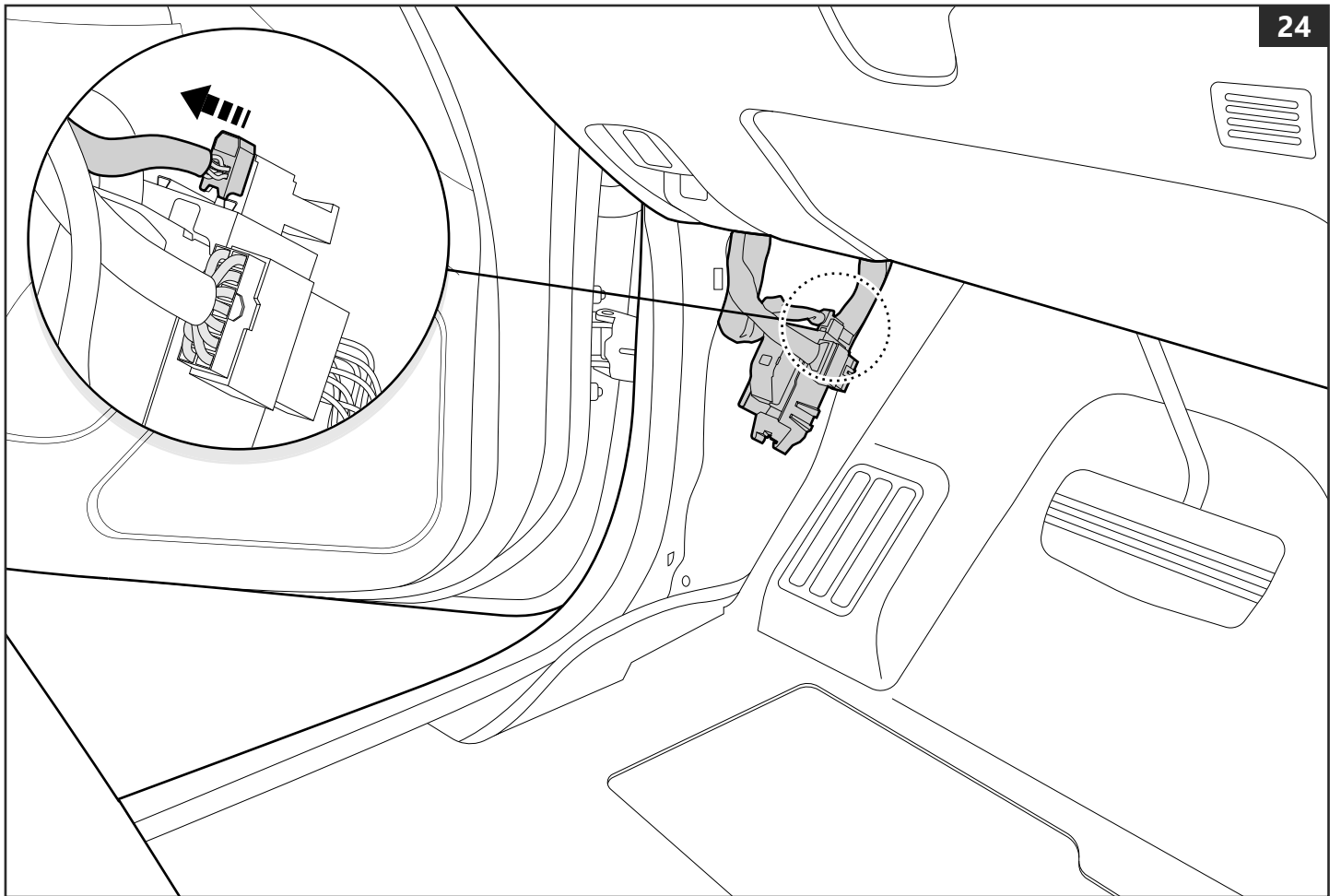
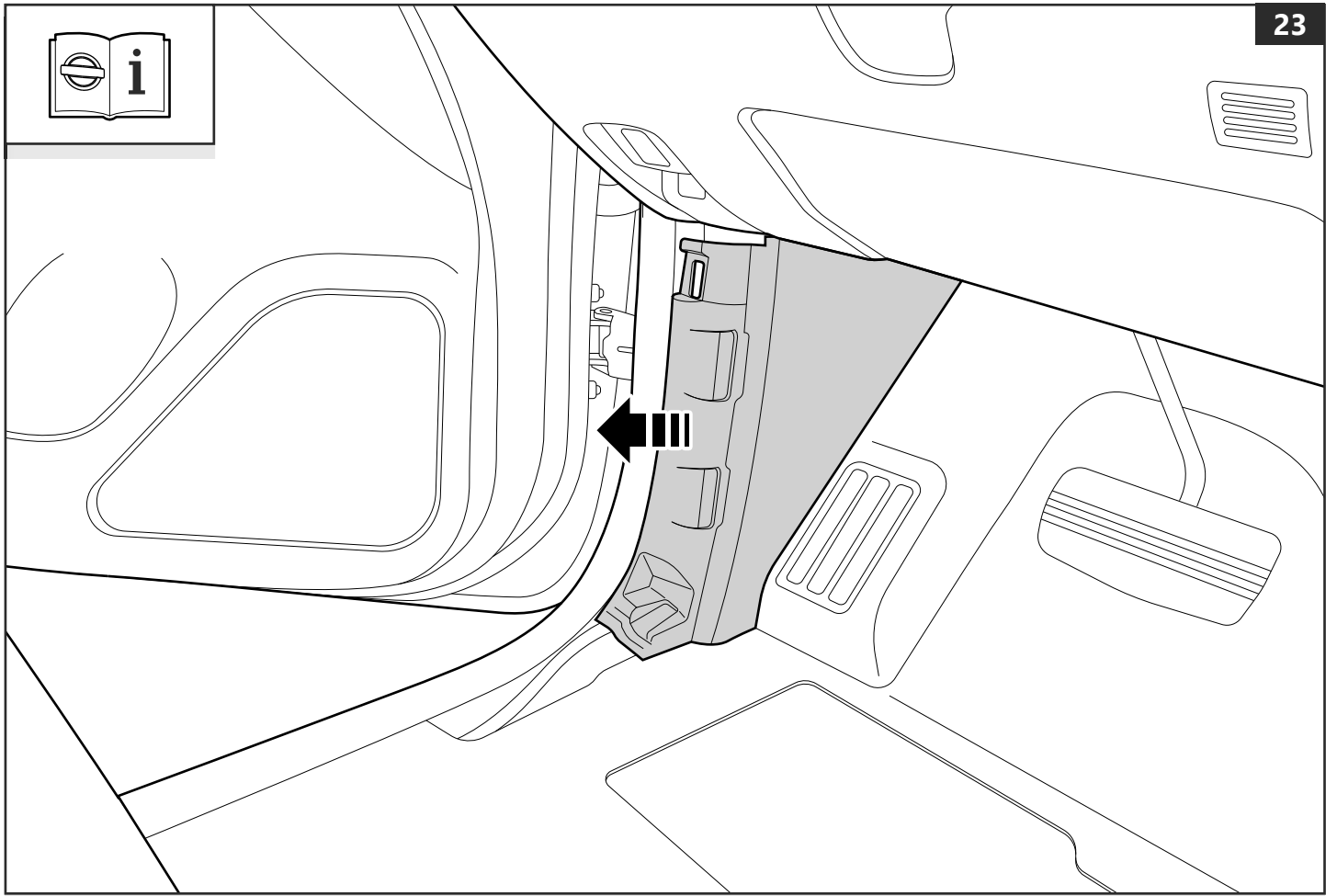


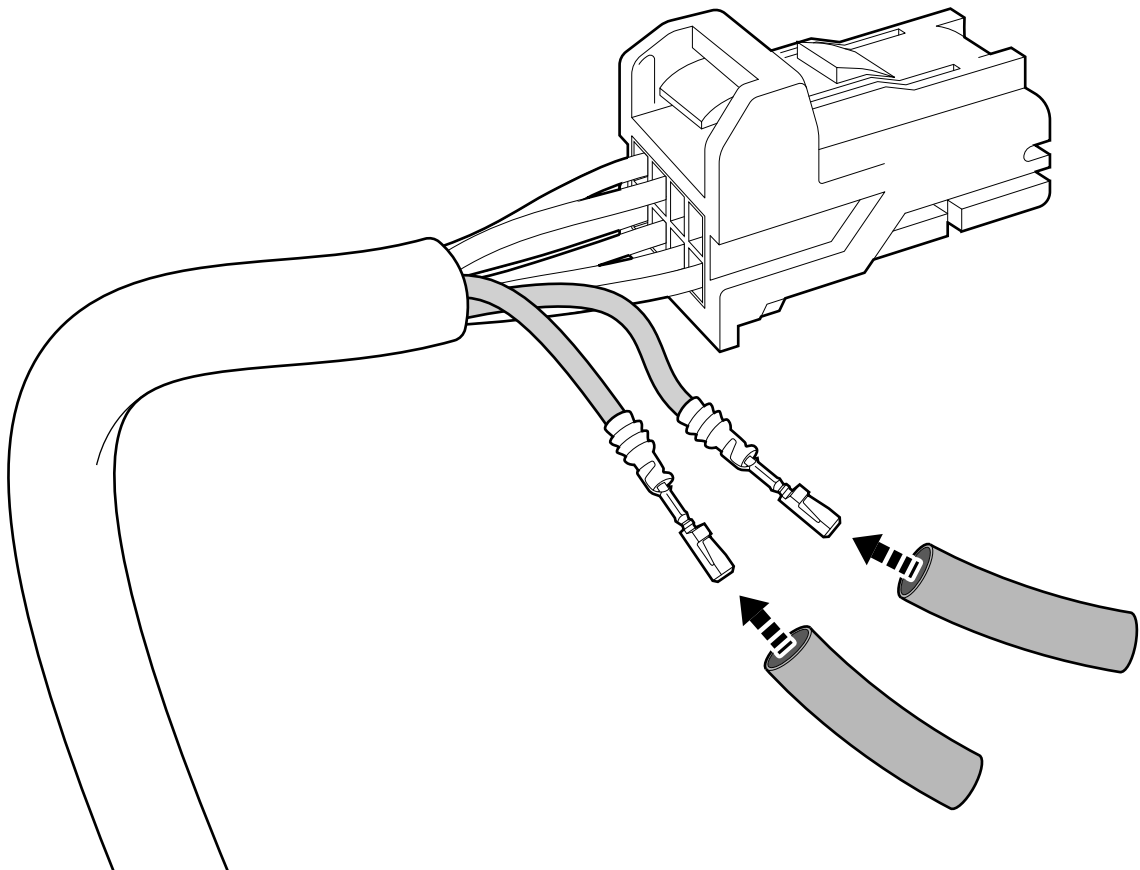
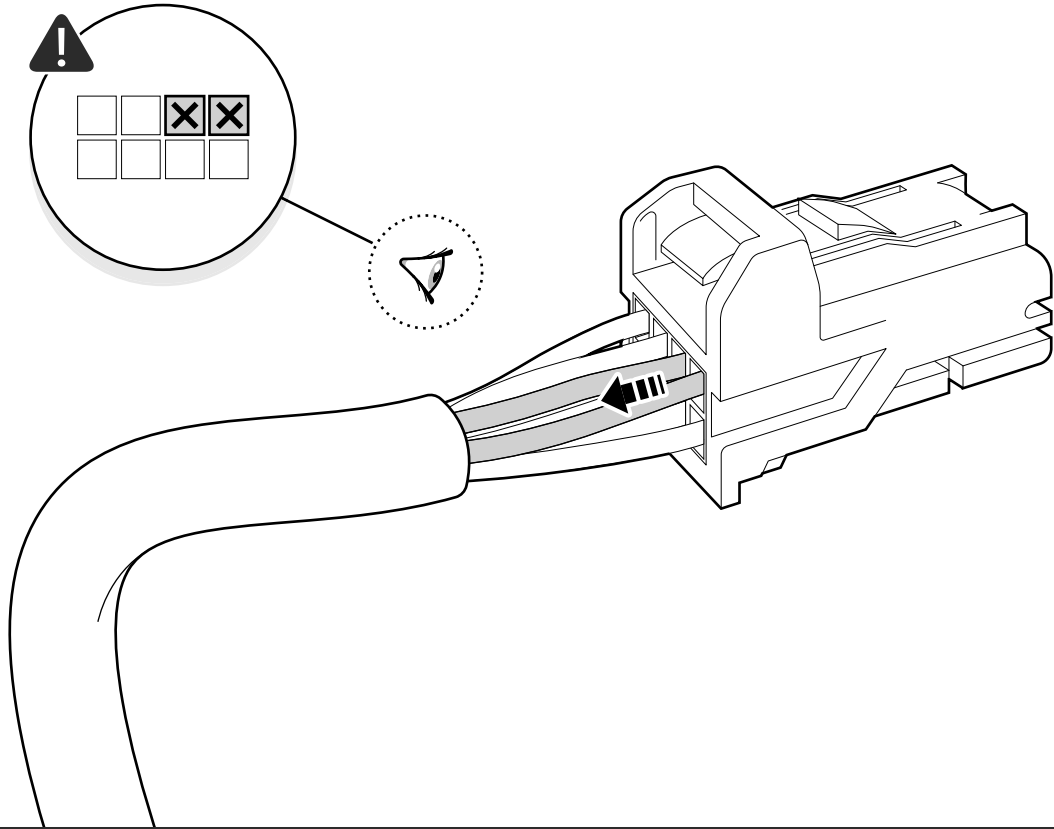


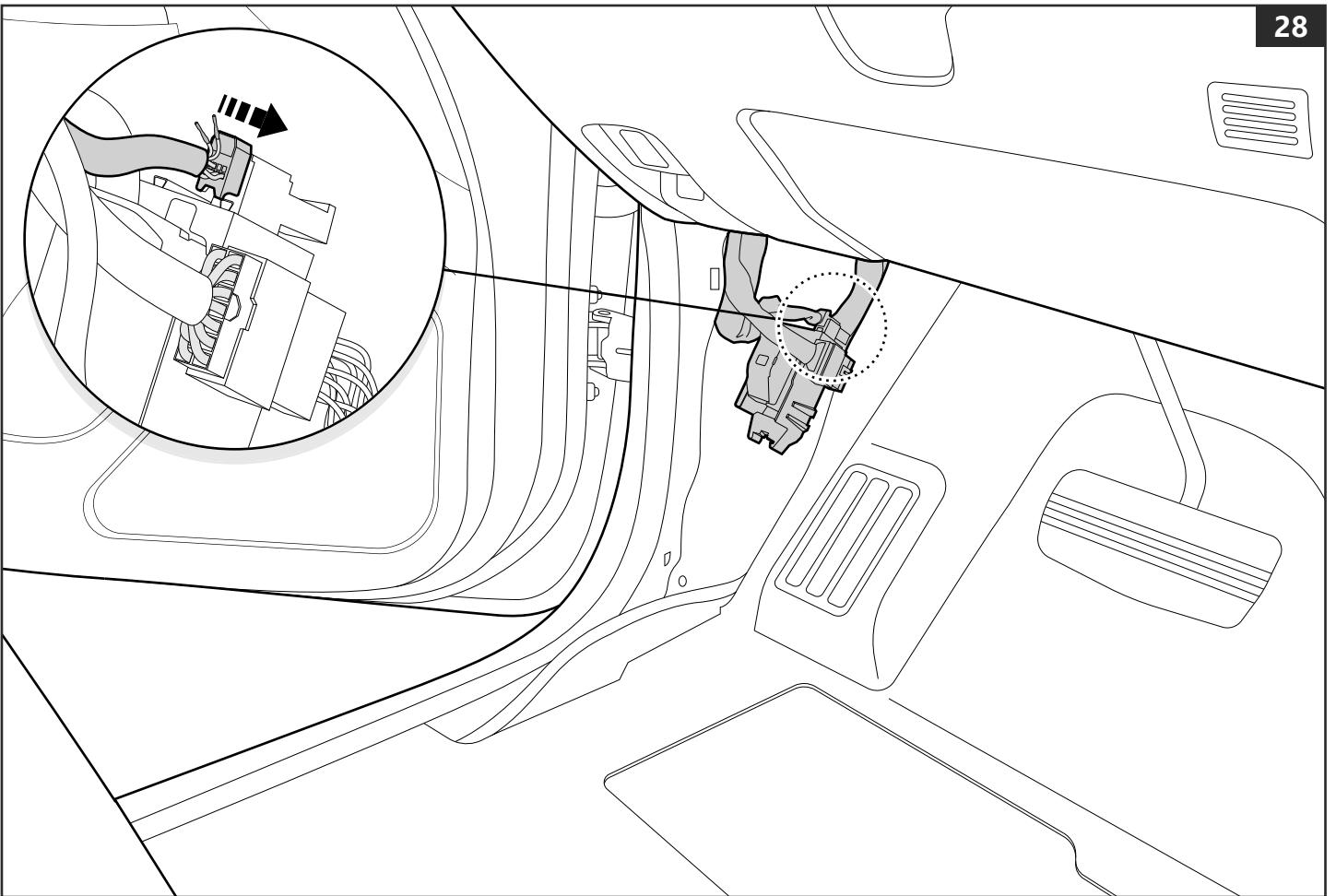
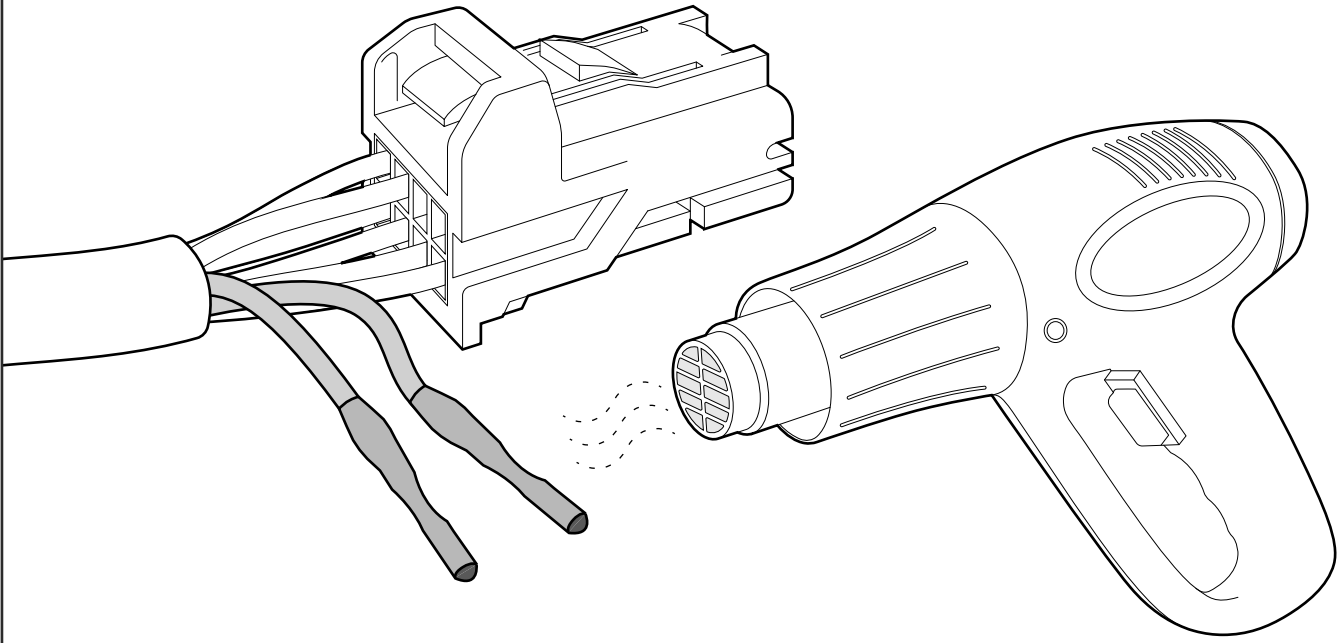


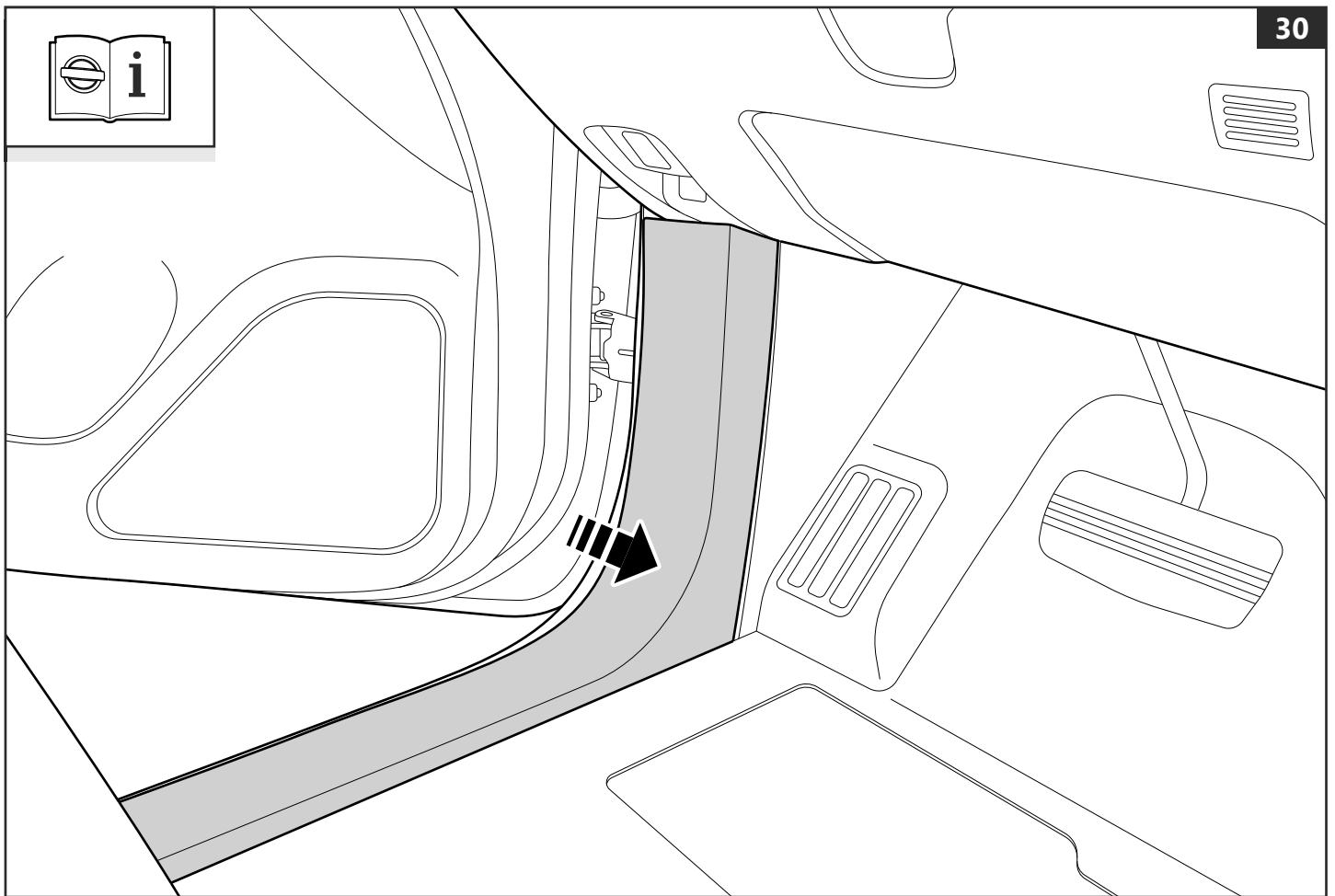
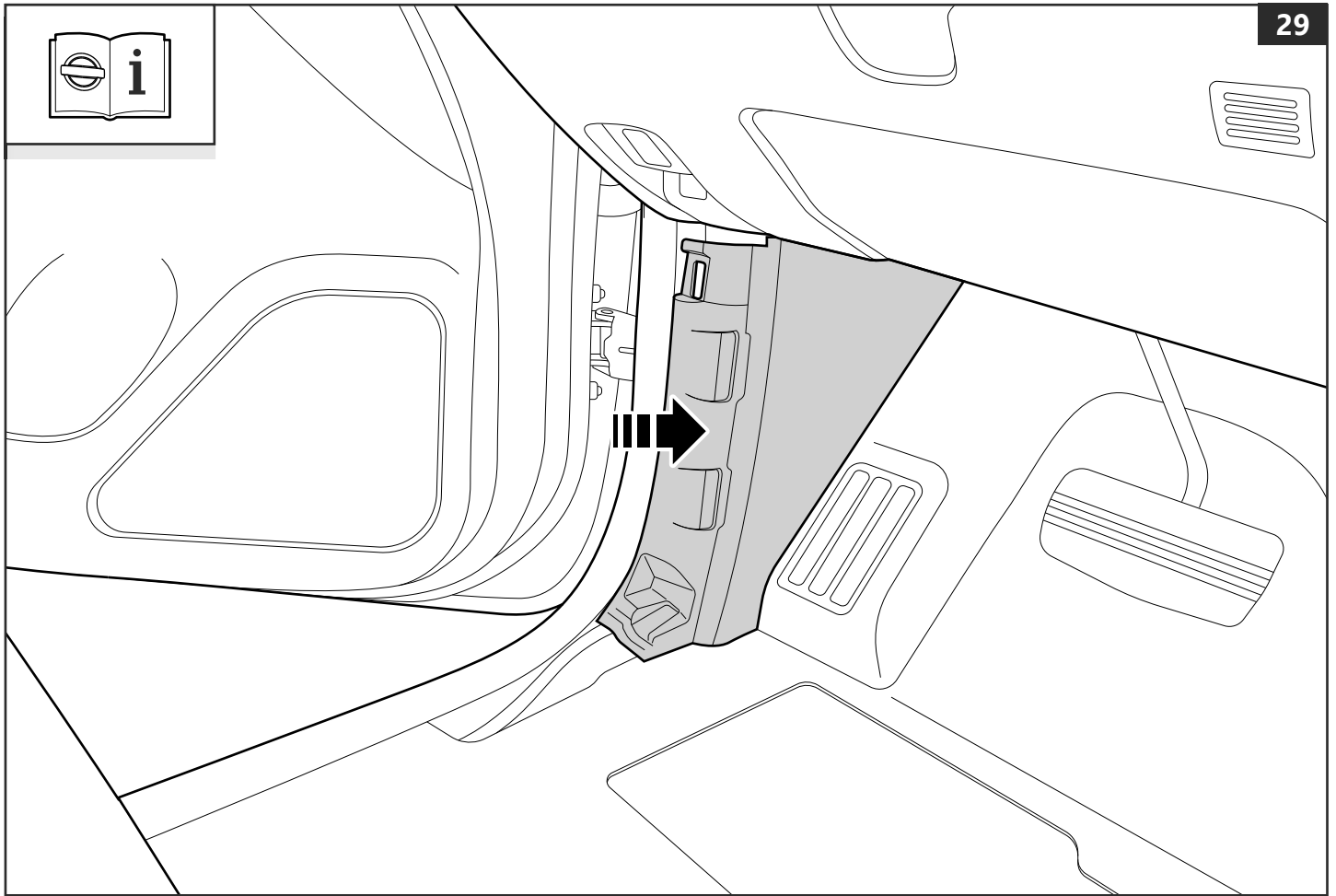




















Customer Service +45 4810 2950 (08:00 - 16:00 CET)  
Fax +45 4810 2960  
Support [info@mountaintop.dk](mailto:info@mountaintop.dk)  
Website [www.mountaintop.dk](http://www.mountaintop.dk)  
Address Pedersholmparken 10, 3660 Frederikssund, Denmark

PART NUMBER(S)	MODEL / YEAR	CAB TYPE(S)	INSTALLATION TIME	WEIGHT
SB NI90	Nissan / 2015 →	Double	2 hour(s)	10 Kg

<b>GB</b> Installation manual	<b>S</b> Monteringsanvisning	<b>D</b> Einbauanleitung
<b>SF</b> Asennusohje	<b>E</b> Instrucciones de montaje	<b>CZ</b> Návod k instalaci
<b>F</b> Notice de montage	<b>H</b> Szerelési utasítás	<b>I</b> Istruzioni de montaggio
<b>PL</b> Instrukcja montażu	<b>P</b> Instruções de instalação	<b>GR</b> Οδηγίες Εγκατάστασης
<b>NL</b> Installatie-instructies	<b>RUS</b> Инструкция по установке	<b>DK</b> Monteringsvejledning
<b>TR</b> Montaj Talimatı	<b>N</b> Monteringsveiledning	<b>RO</b> Instructiuni de instalare