

# Mountain Top® Style

Installation manual

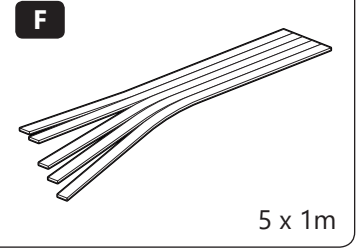
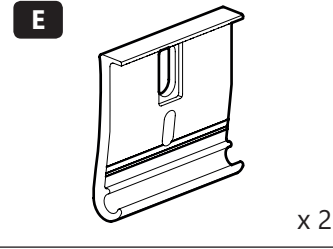
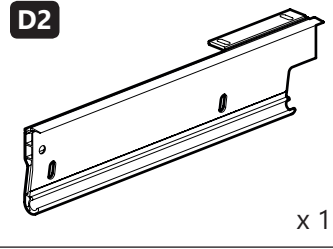
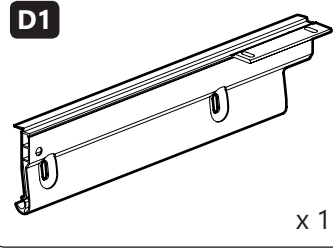
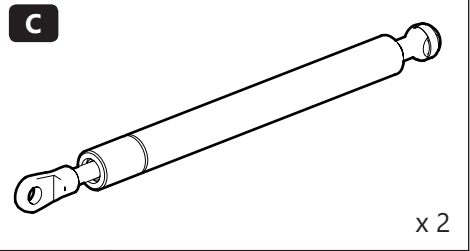
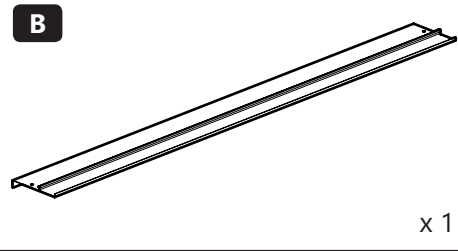
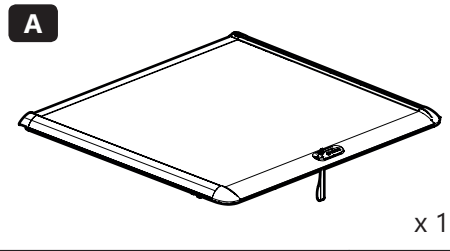


DOWNLOAD PDF

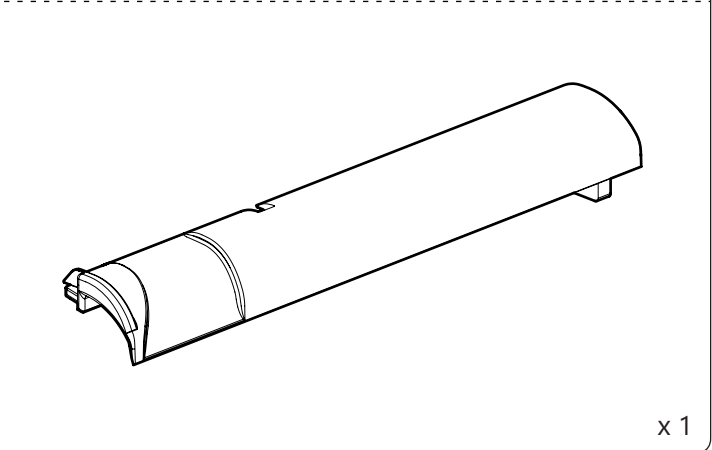
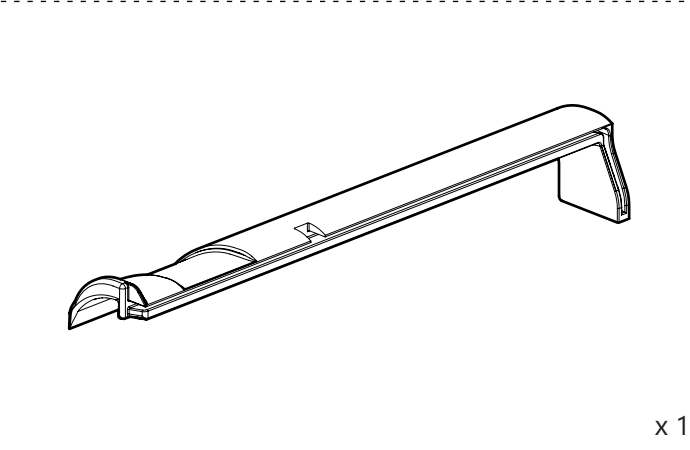
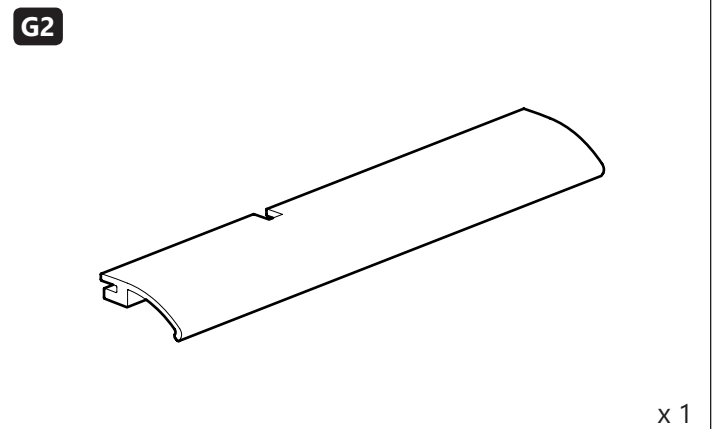
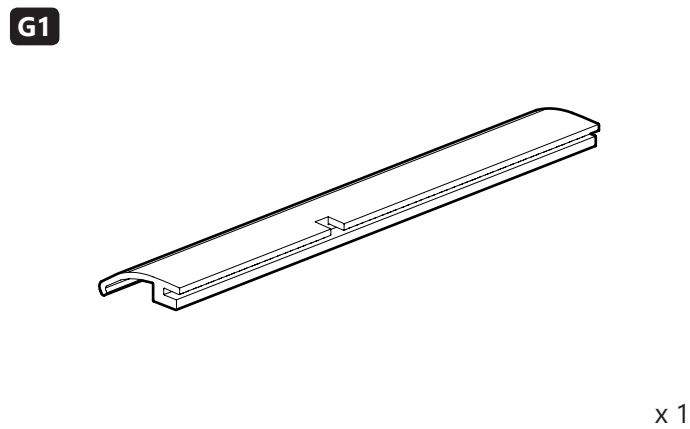


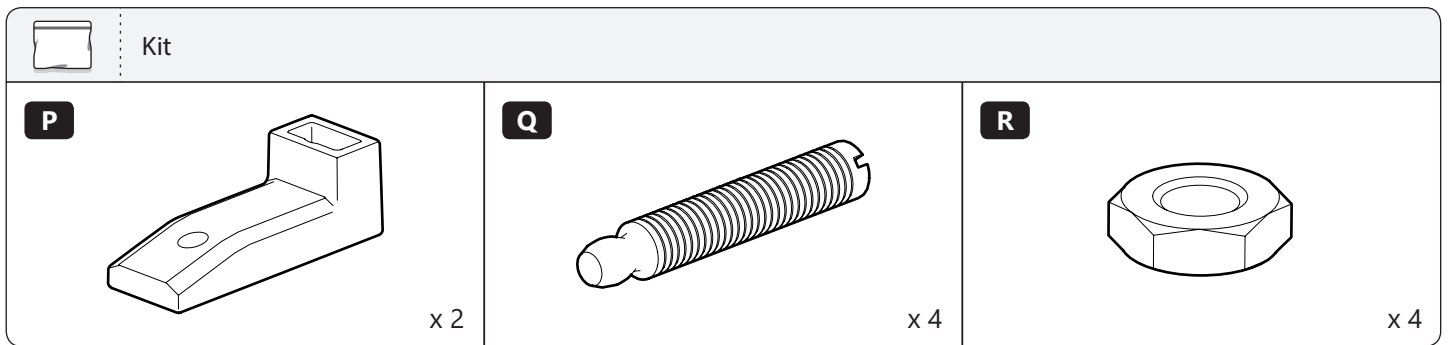
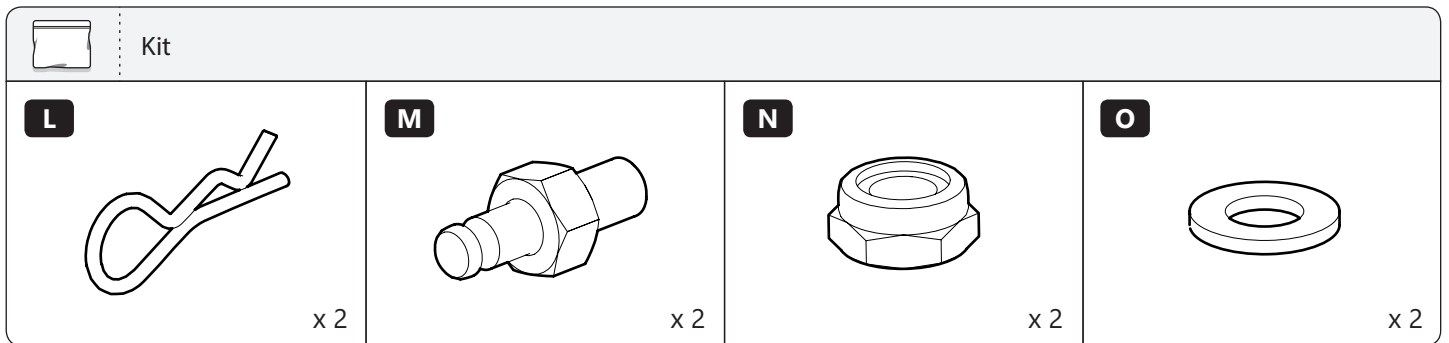
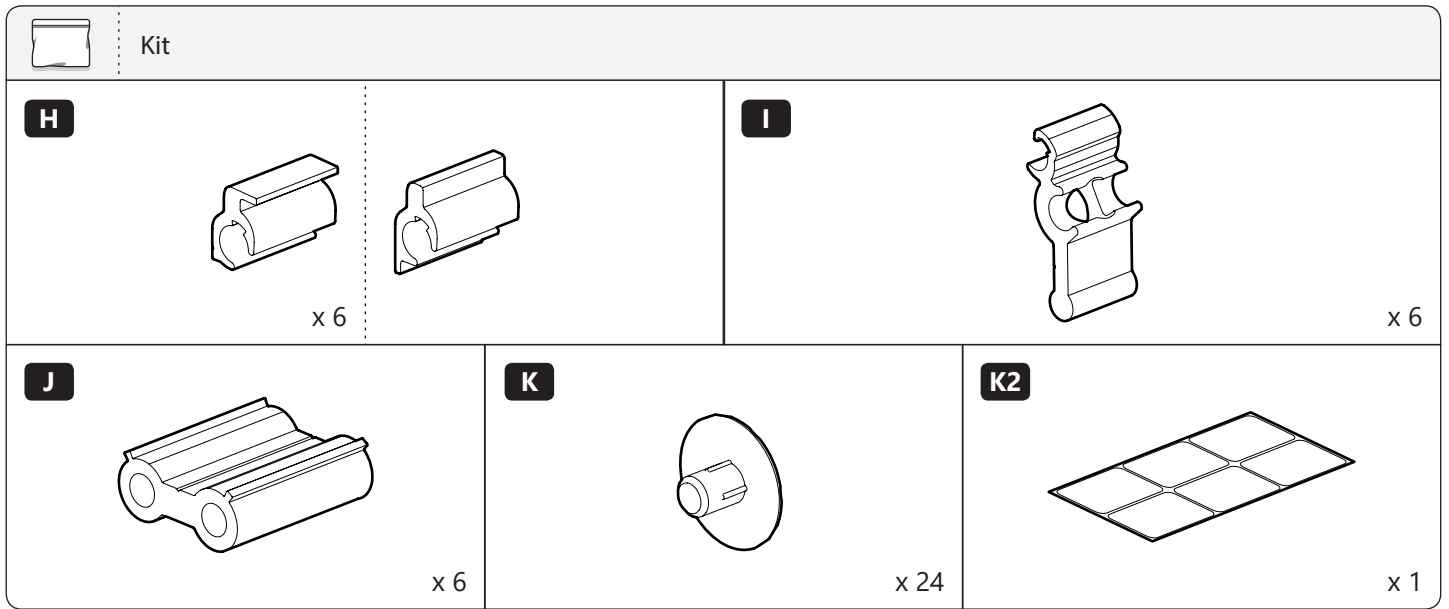


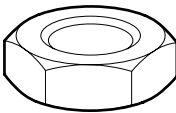
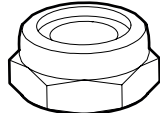
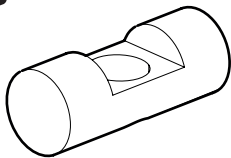

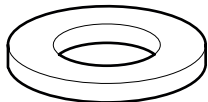
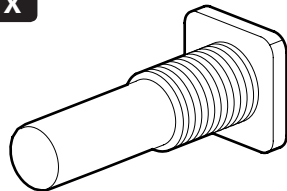
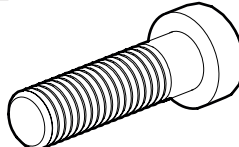
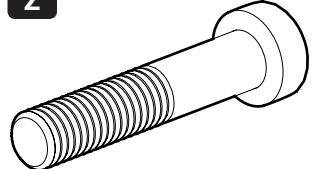
Parts

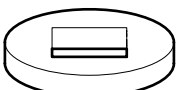
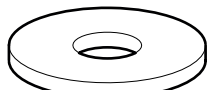
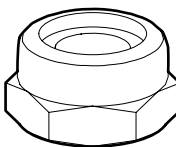
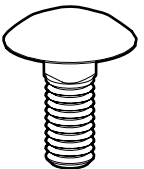




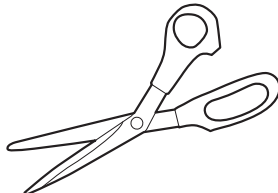

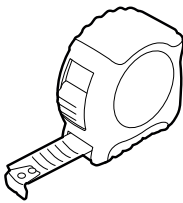
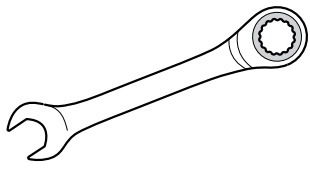

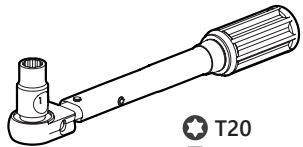



Kit

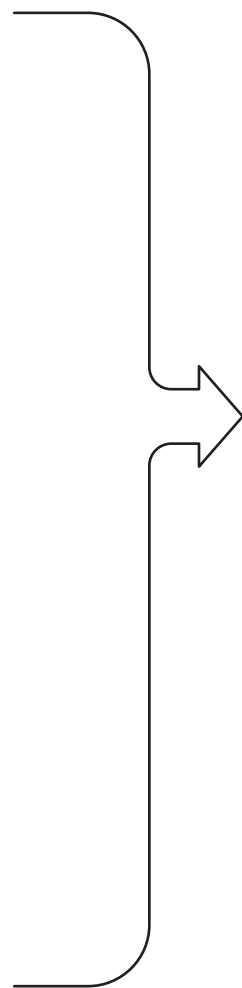
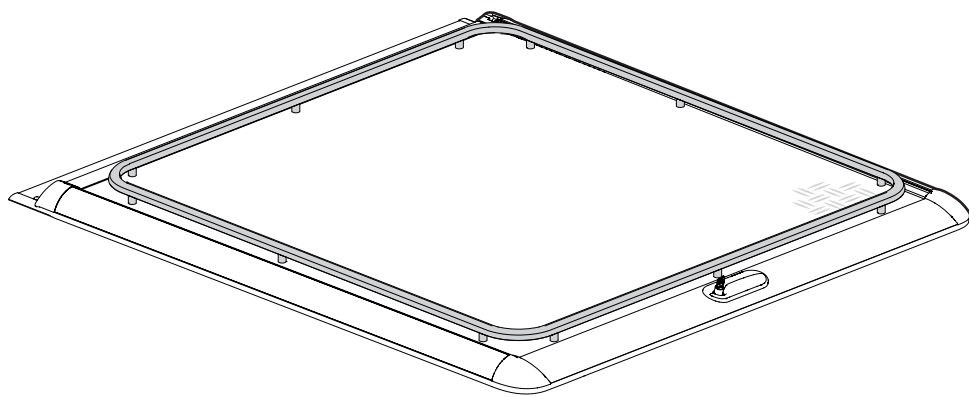
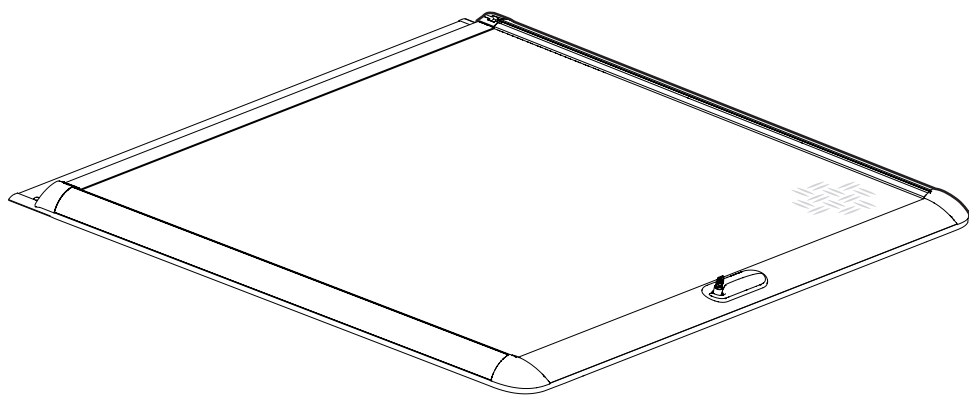


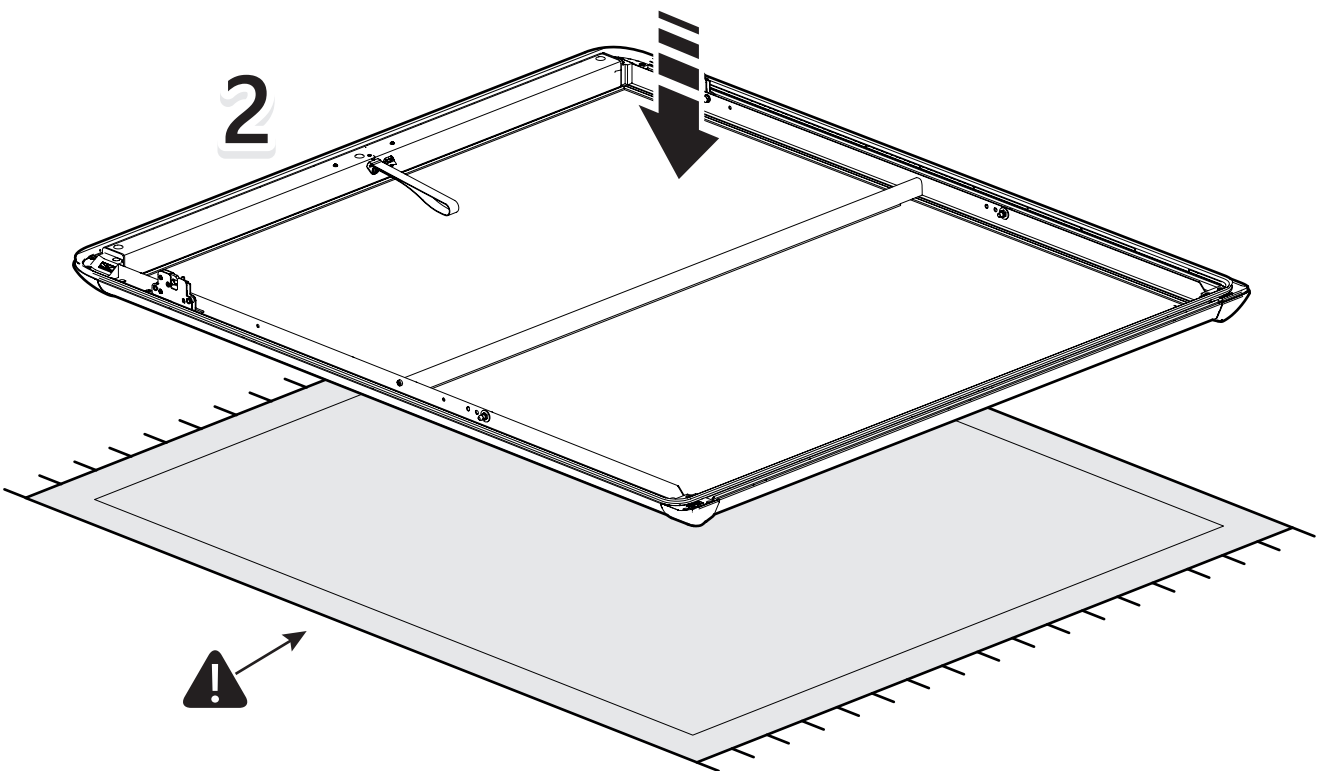
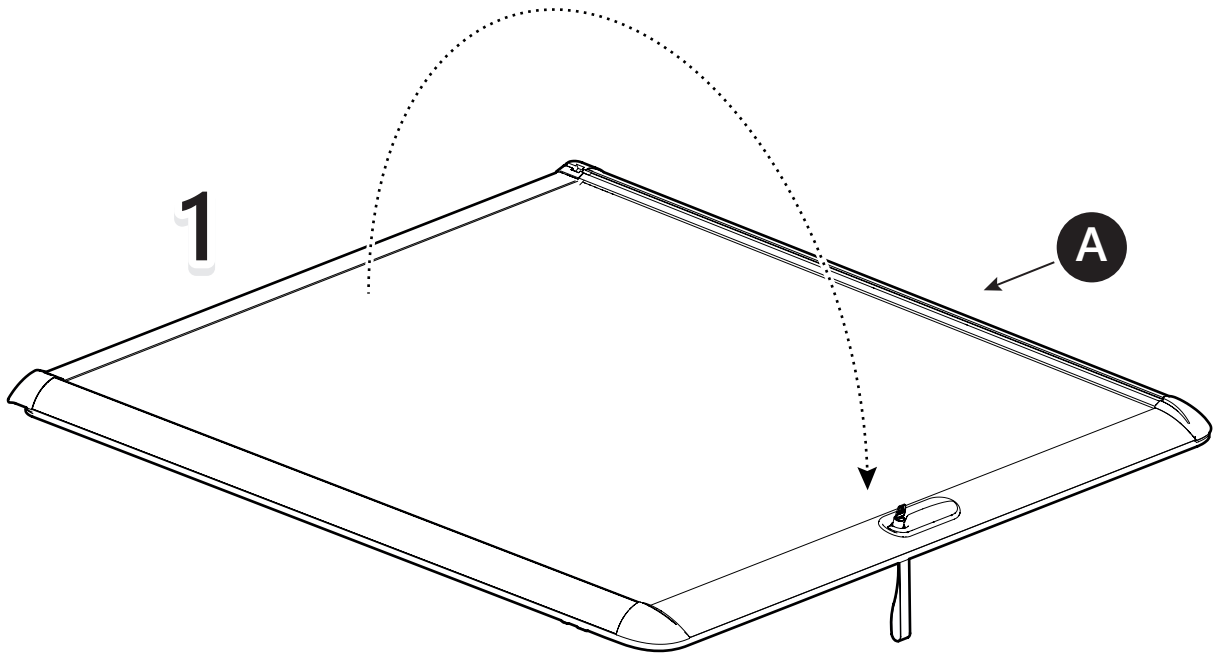


Kit			
<b>S</b>  x 2	<b>T</b>  x 6	<b>U</b>  x 6	<b>V</b>  x 6
<b>W</b>  x 2	<b>X</b>  x 2	<b>Y</b>  x 6 TOYOTA x 4	<b>Z</b>  TOYOTA x 2

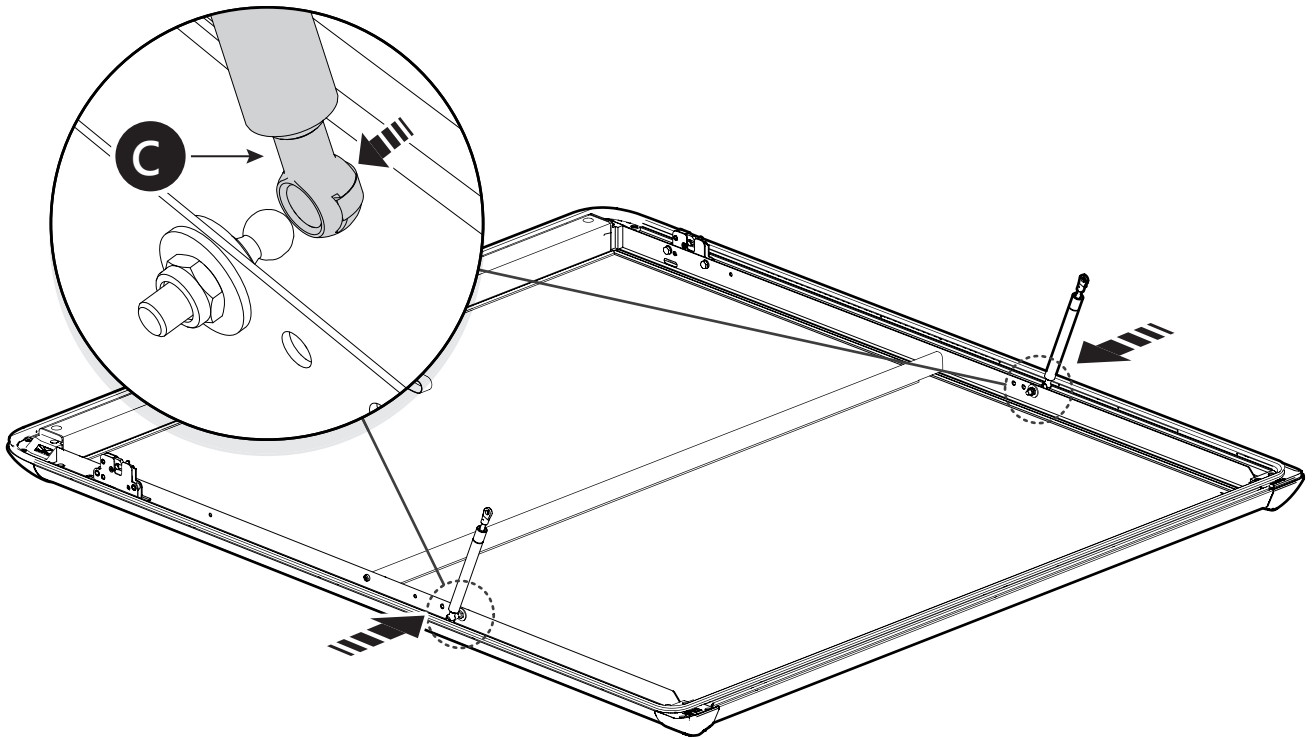
Kit			
<b>A2</b>  x 4	<b>B2</b>  x 4	<b>C2</b>  x 4	<b>D2</b>  x 4

Tools and materials needed		
 		
	  10, 13, 19mm	1-25 Nm  <ul style="list-style-type: none"> <li> T20</li> <li> 10, 13, 19mm</li> <li> 5mm</li> </ul>



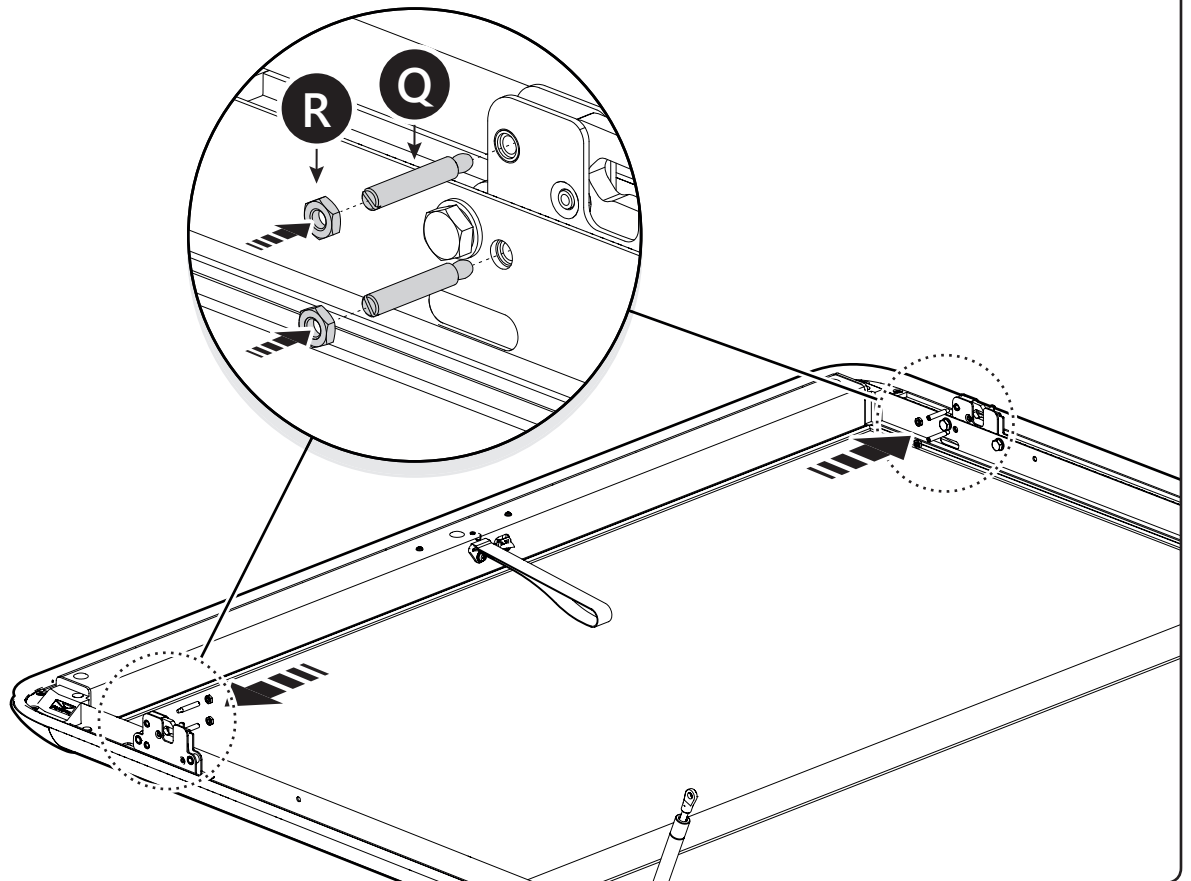


2



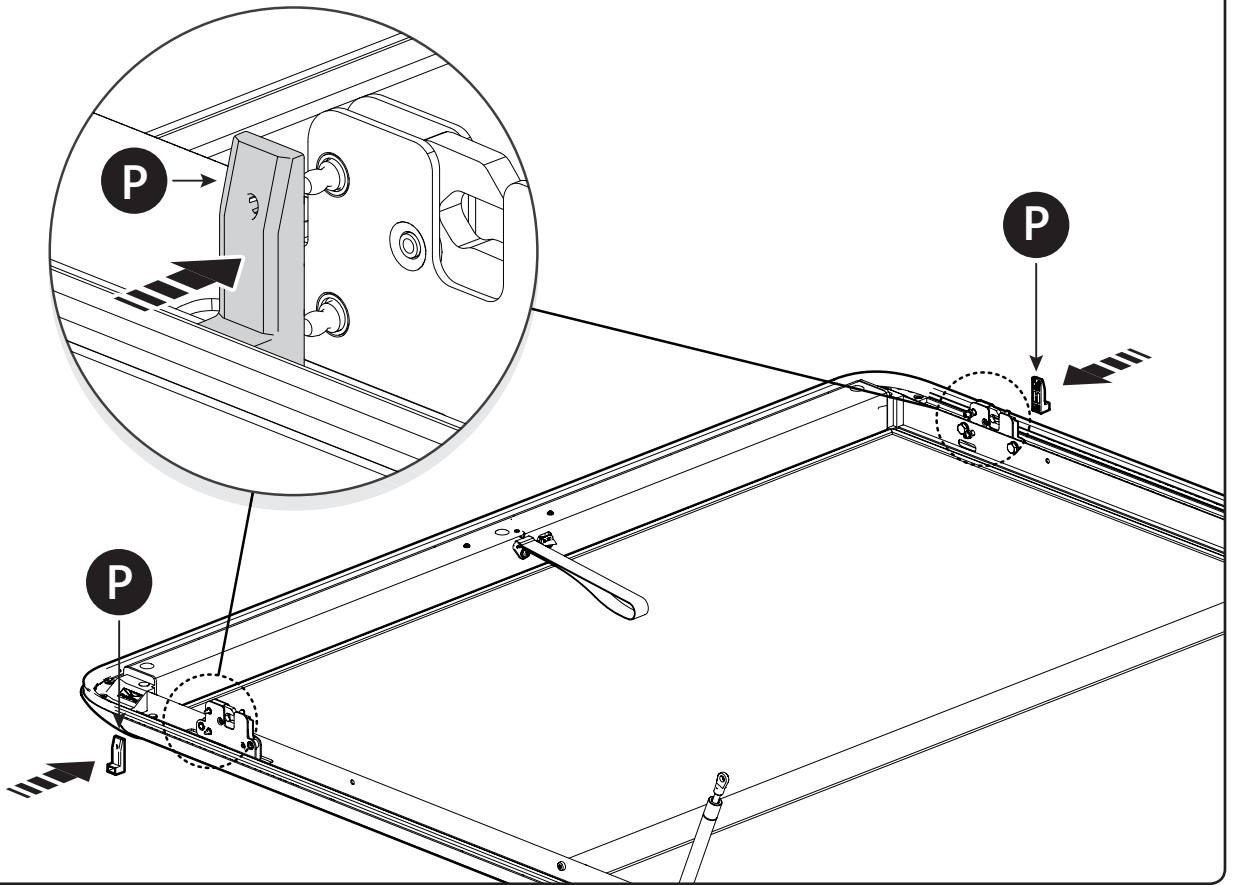
3

10mm

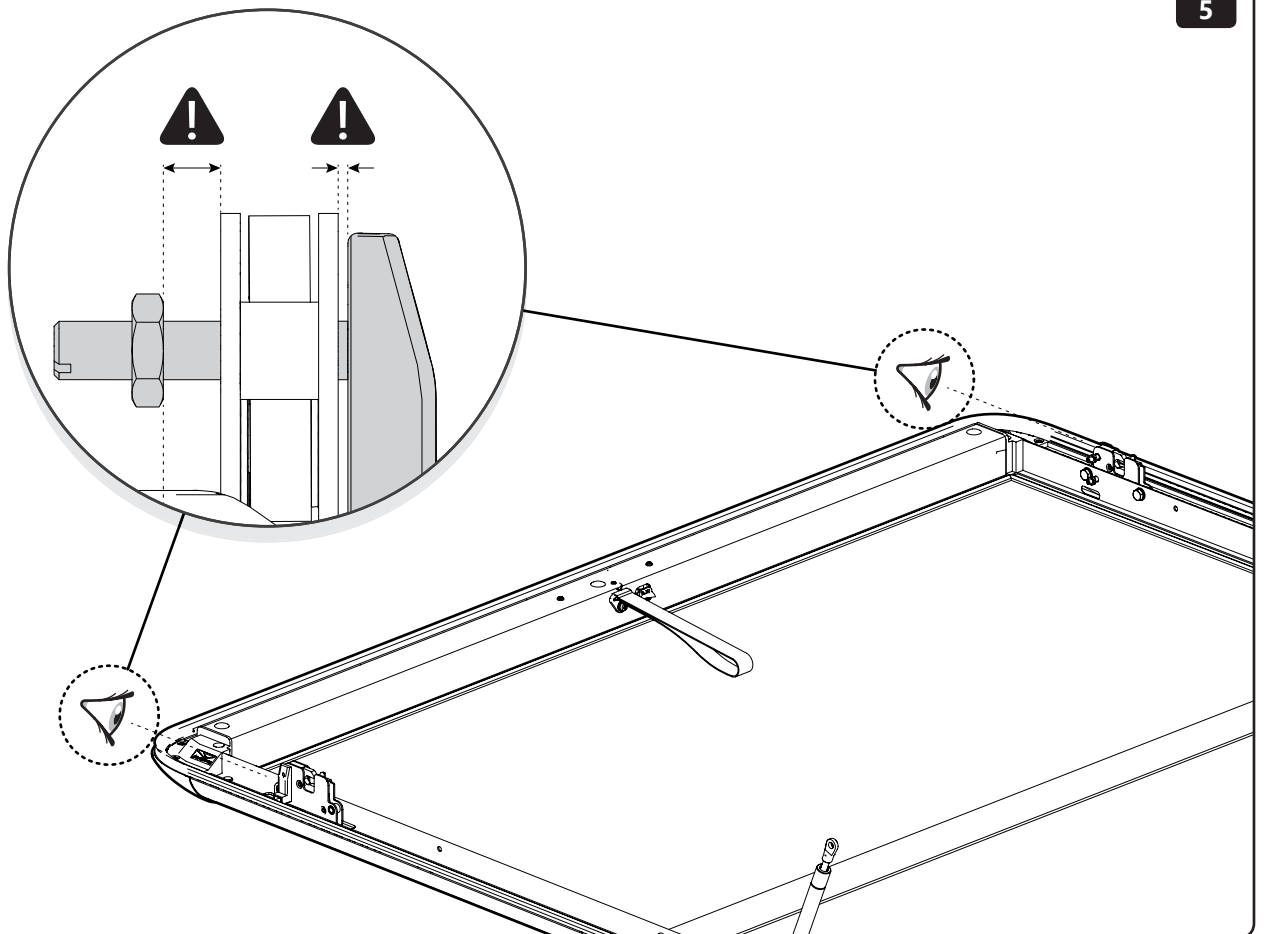


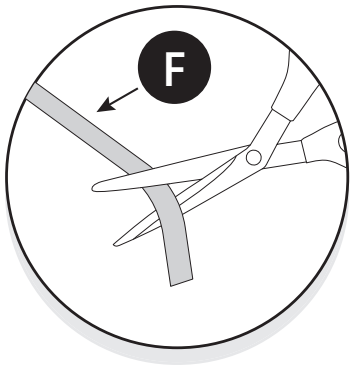


4

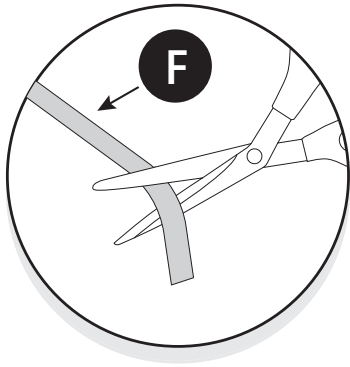
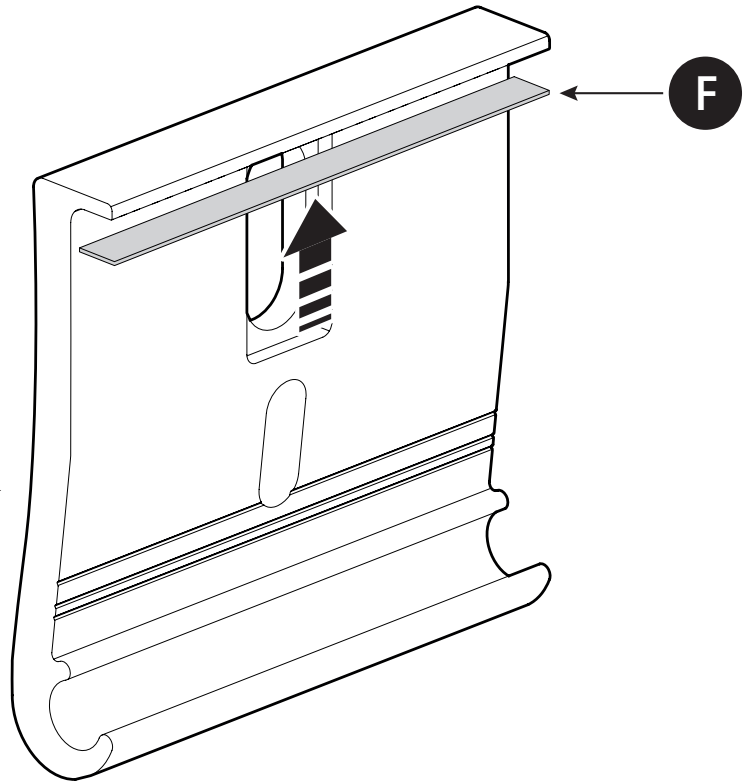


5



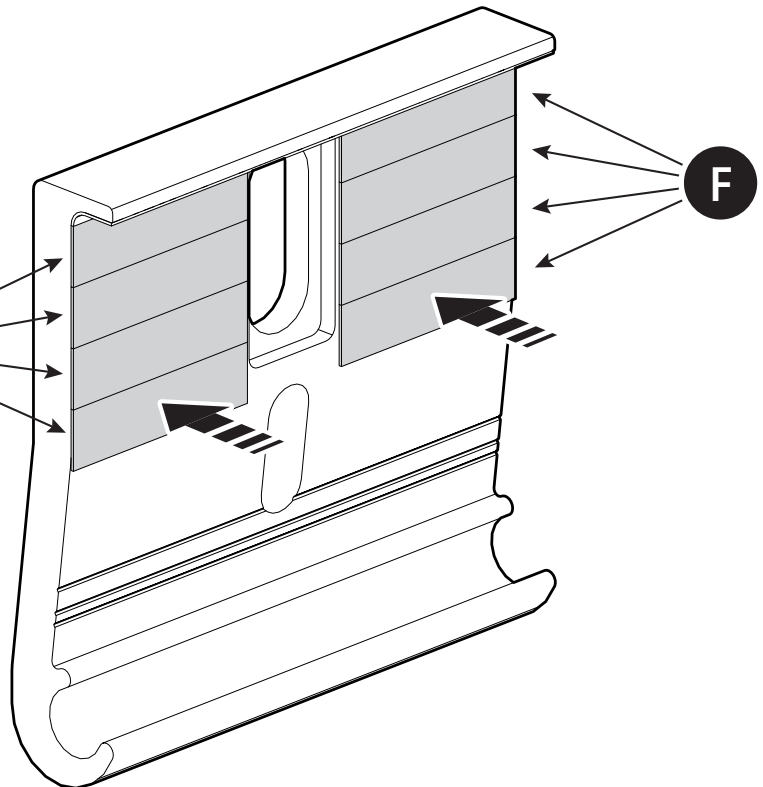


**E** →

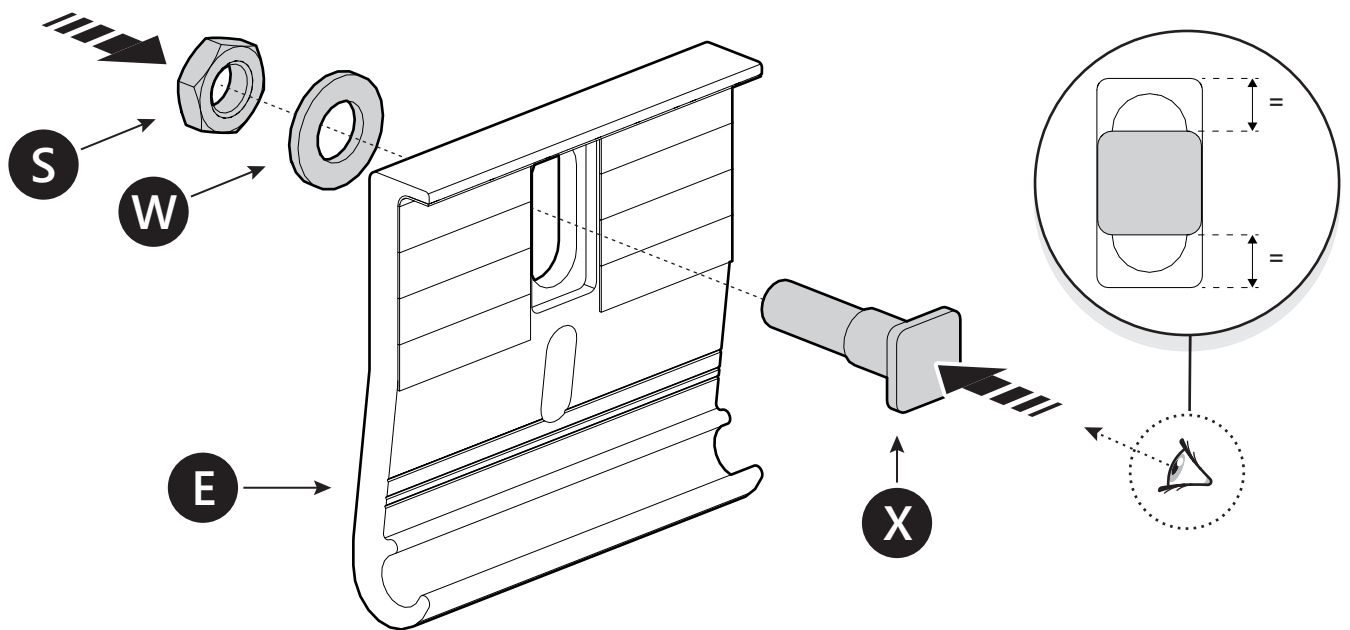


**F** →

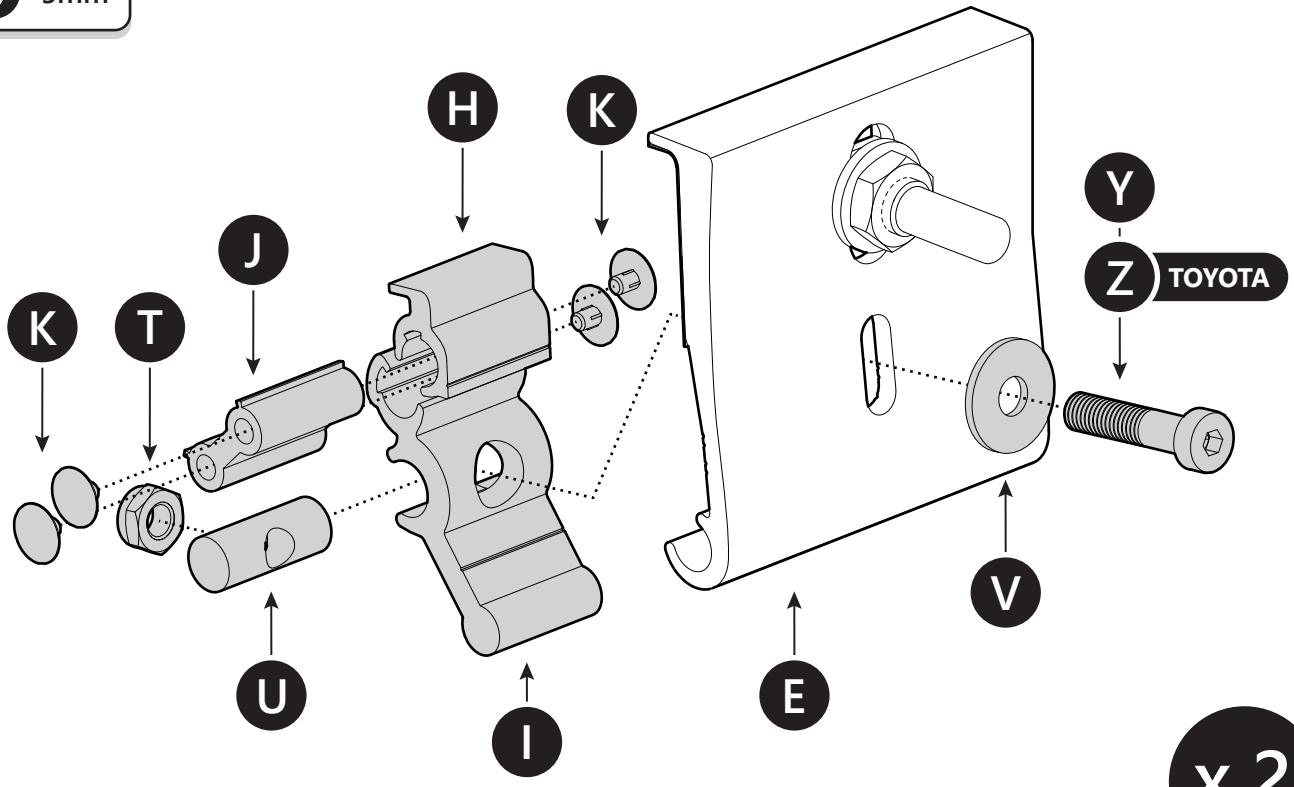
**E** →



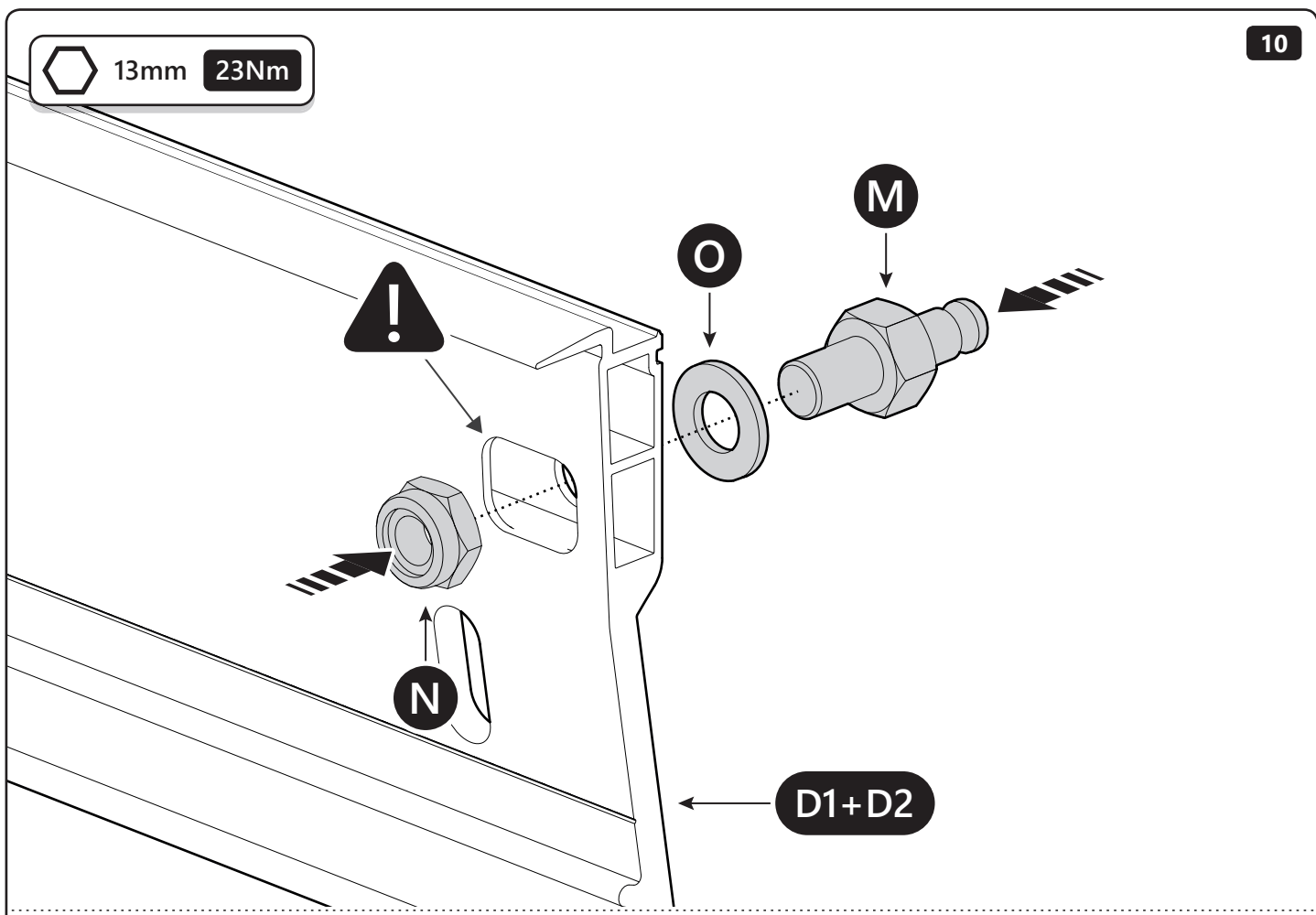
19mm



5mm

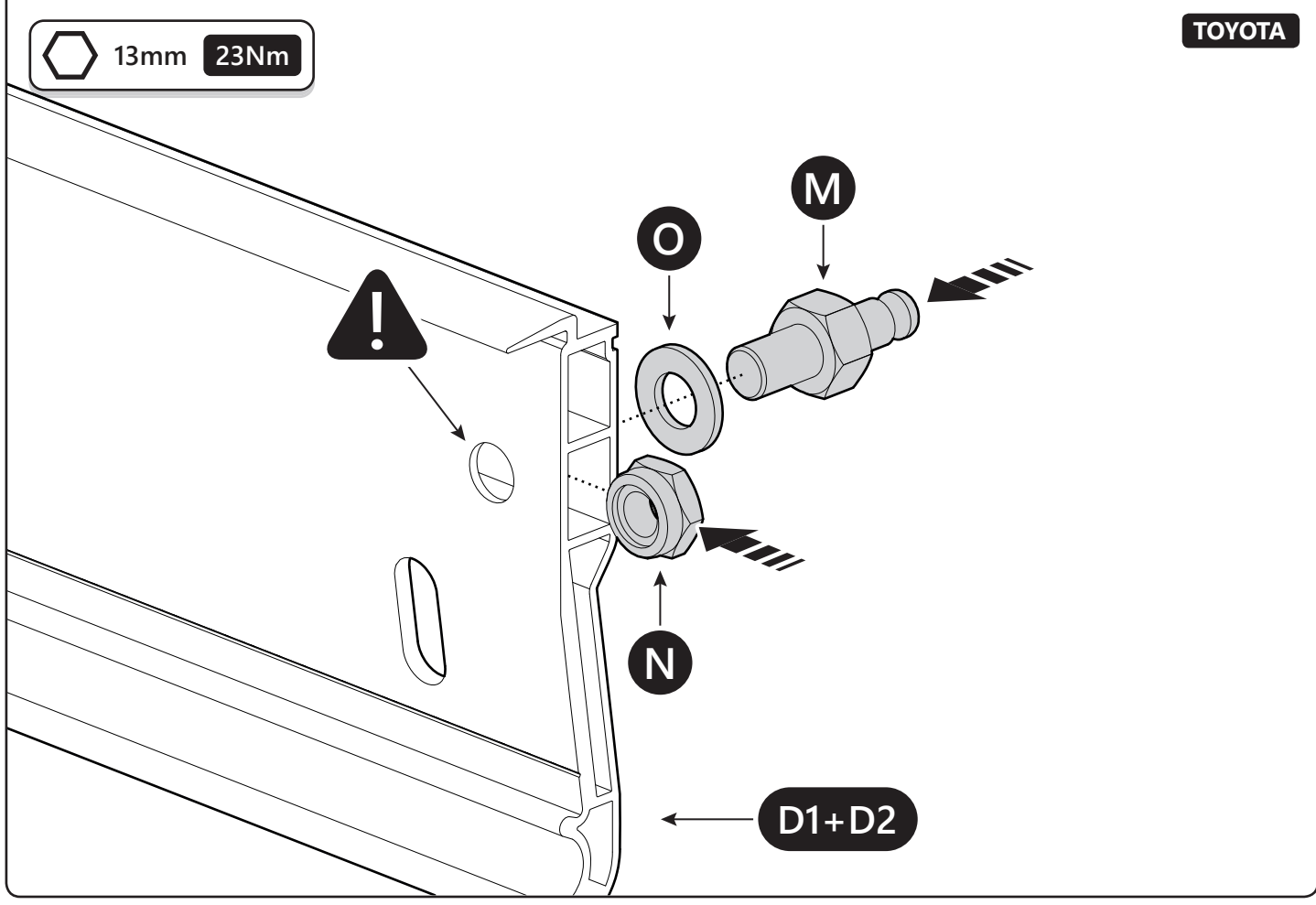


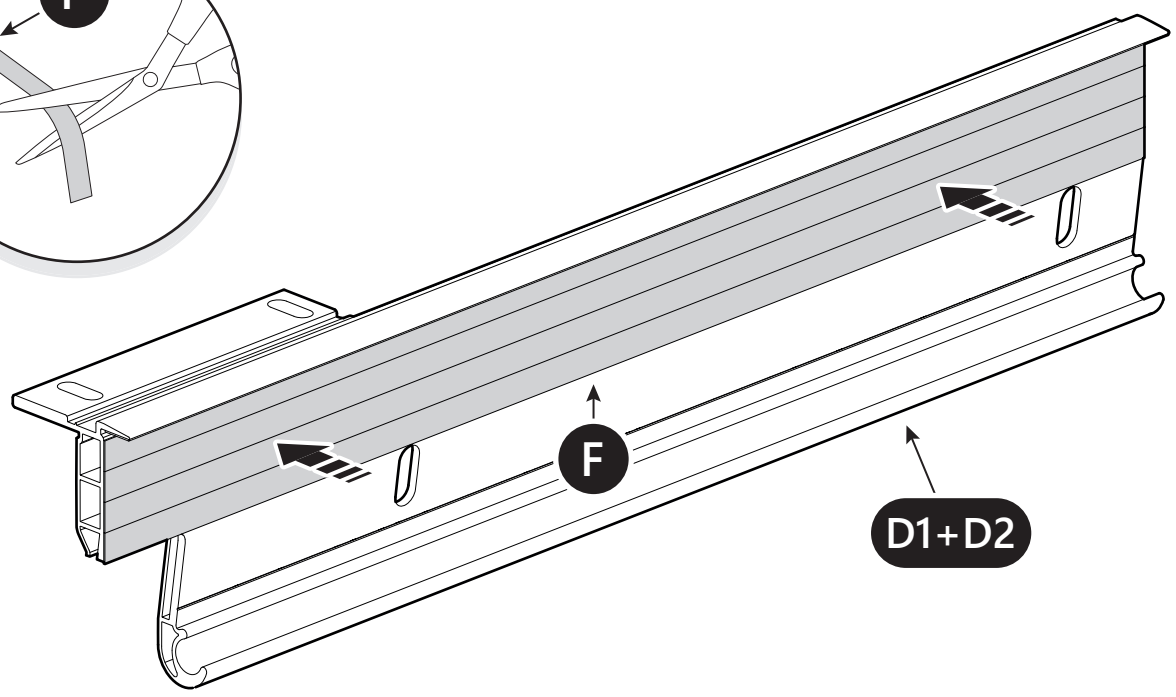
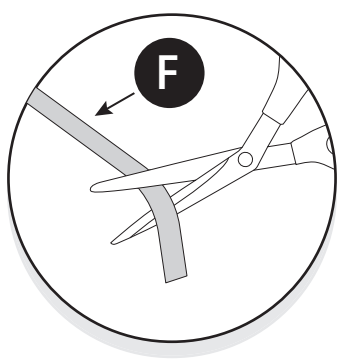
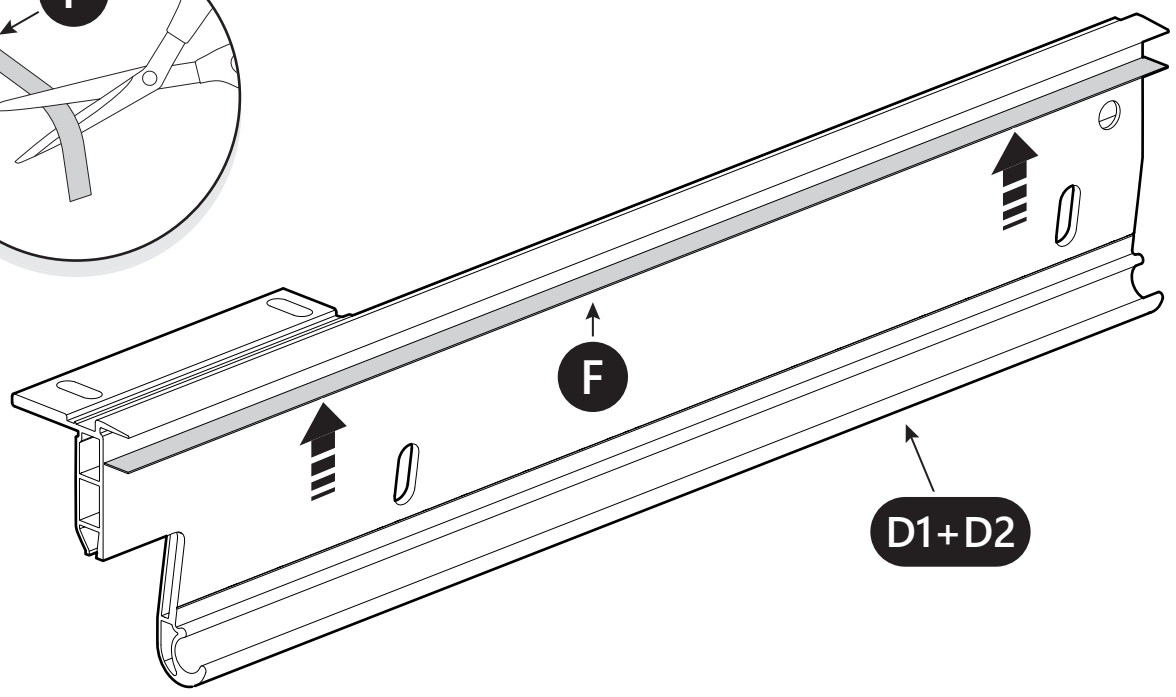
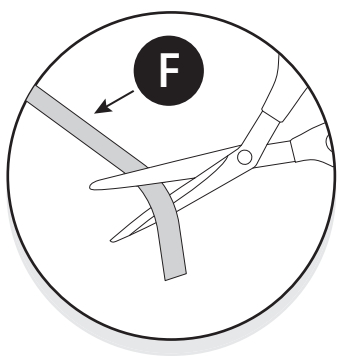
13mm 23Nm



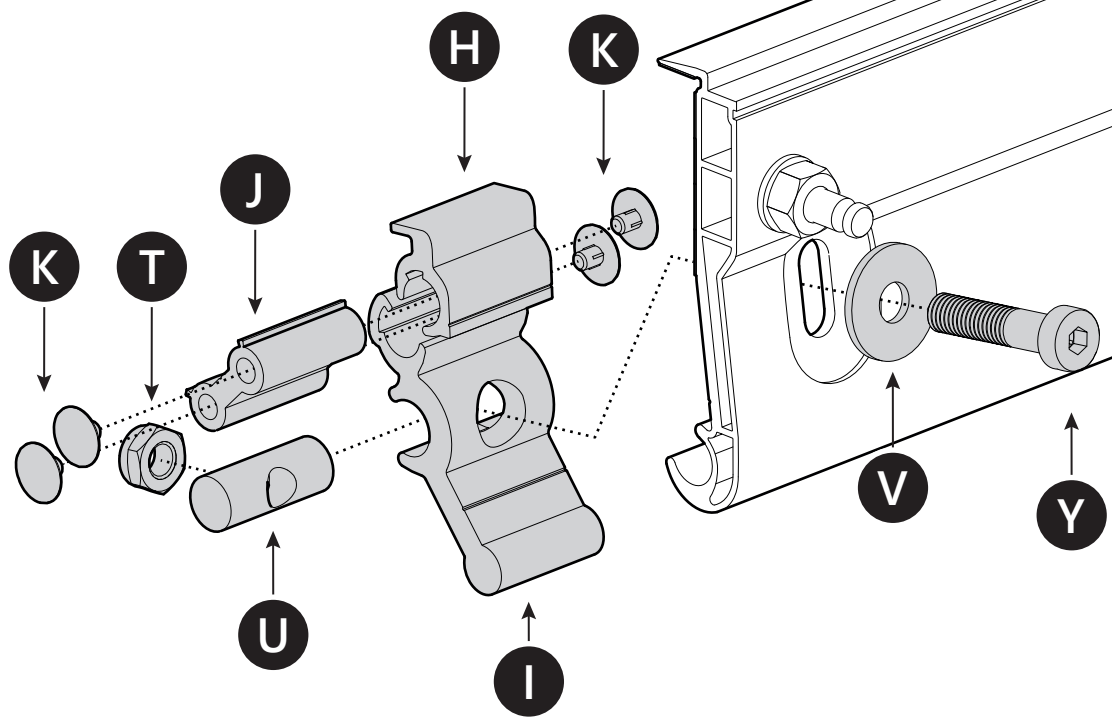
TOYOTA

13mm 23Nm

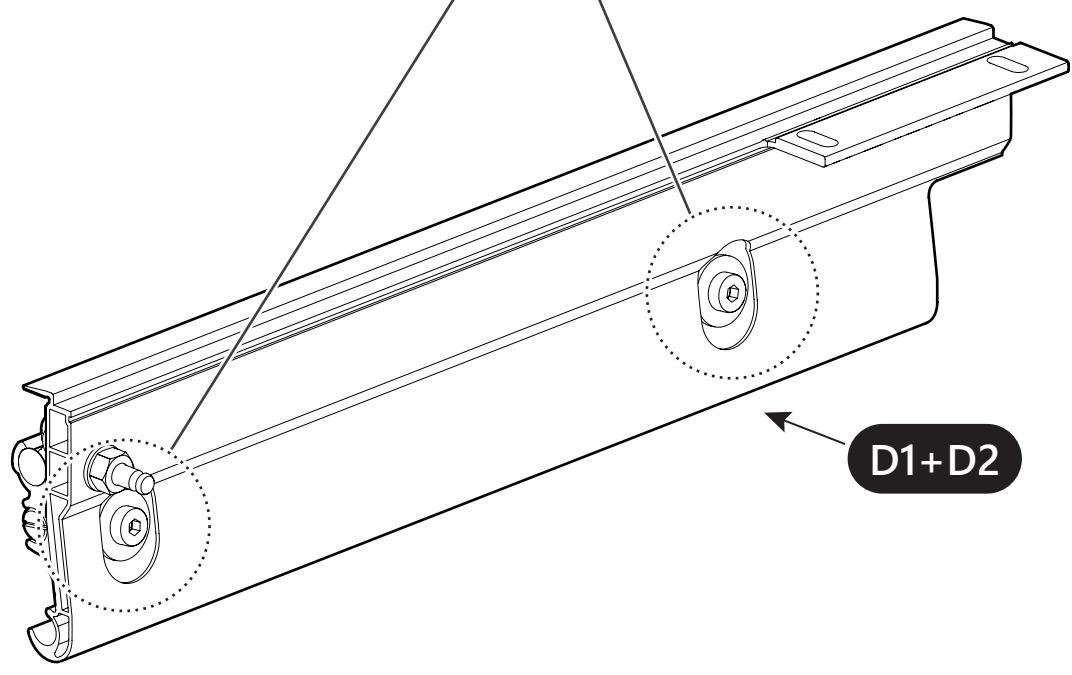


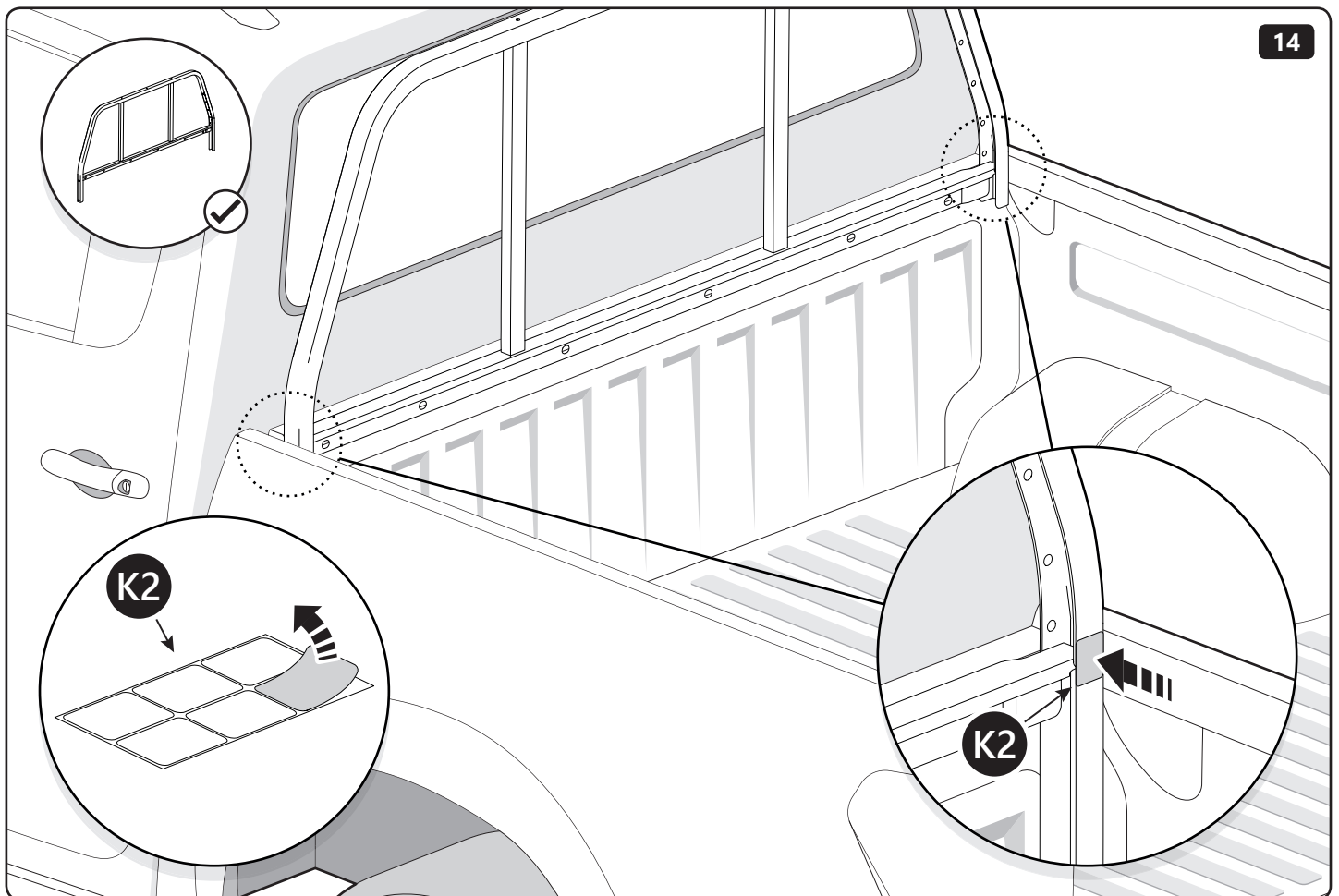
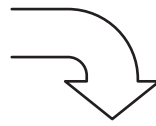
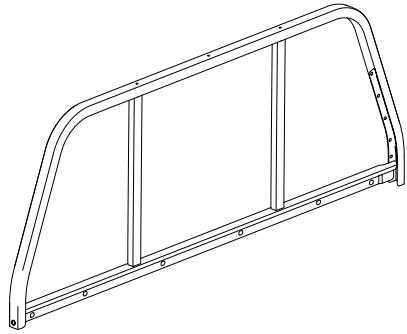
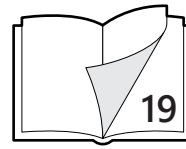
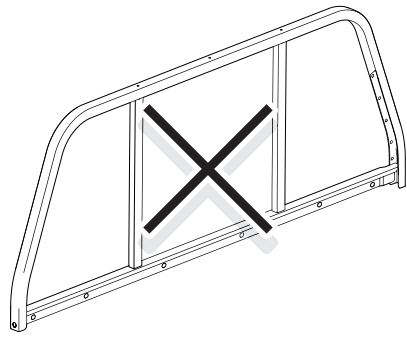


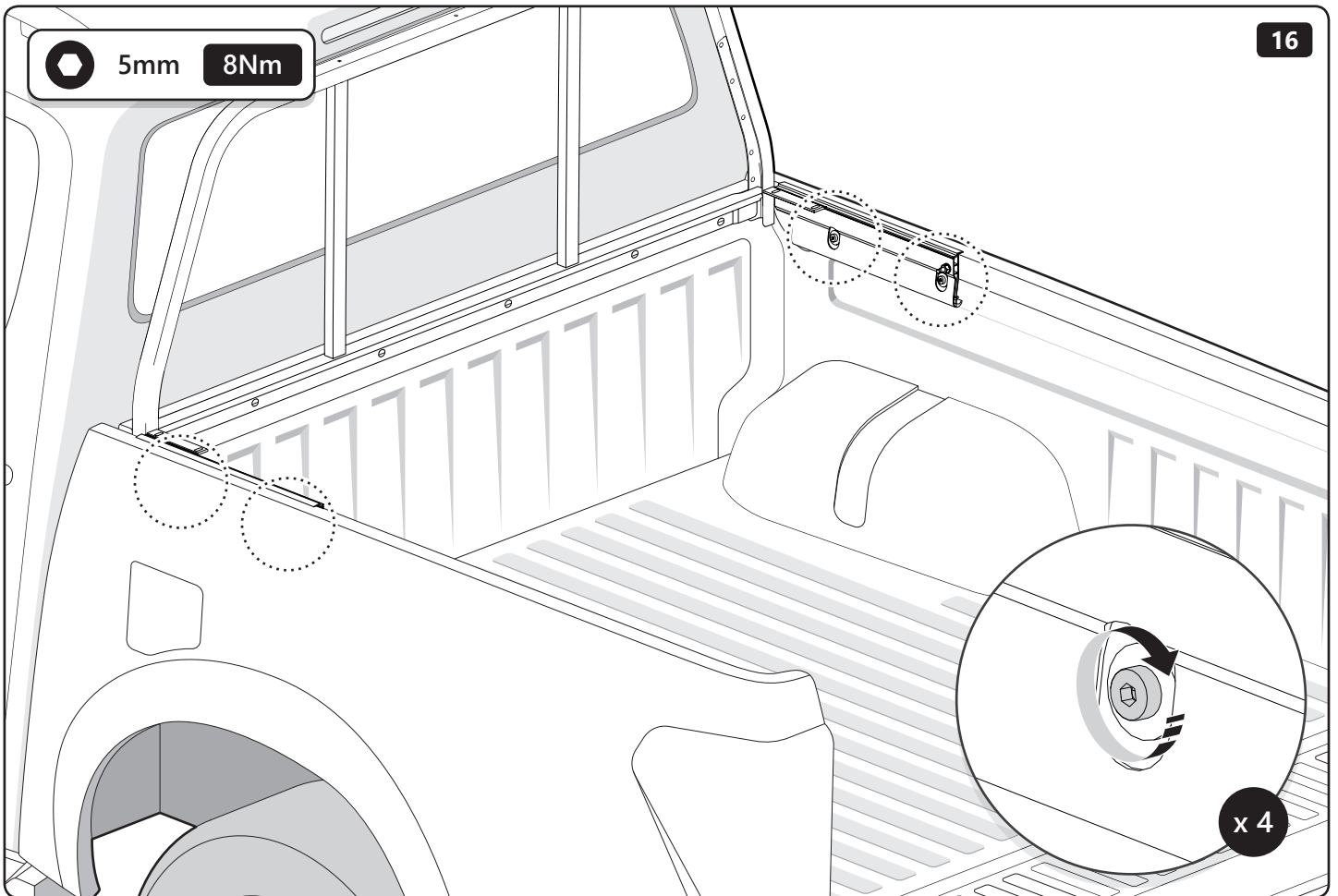
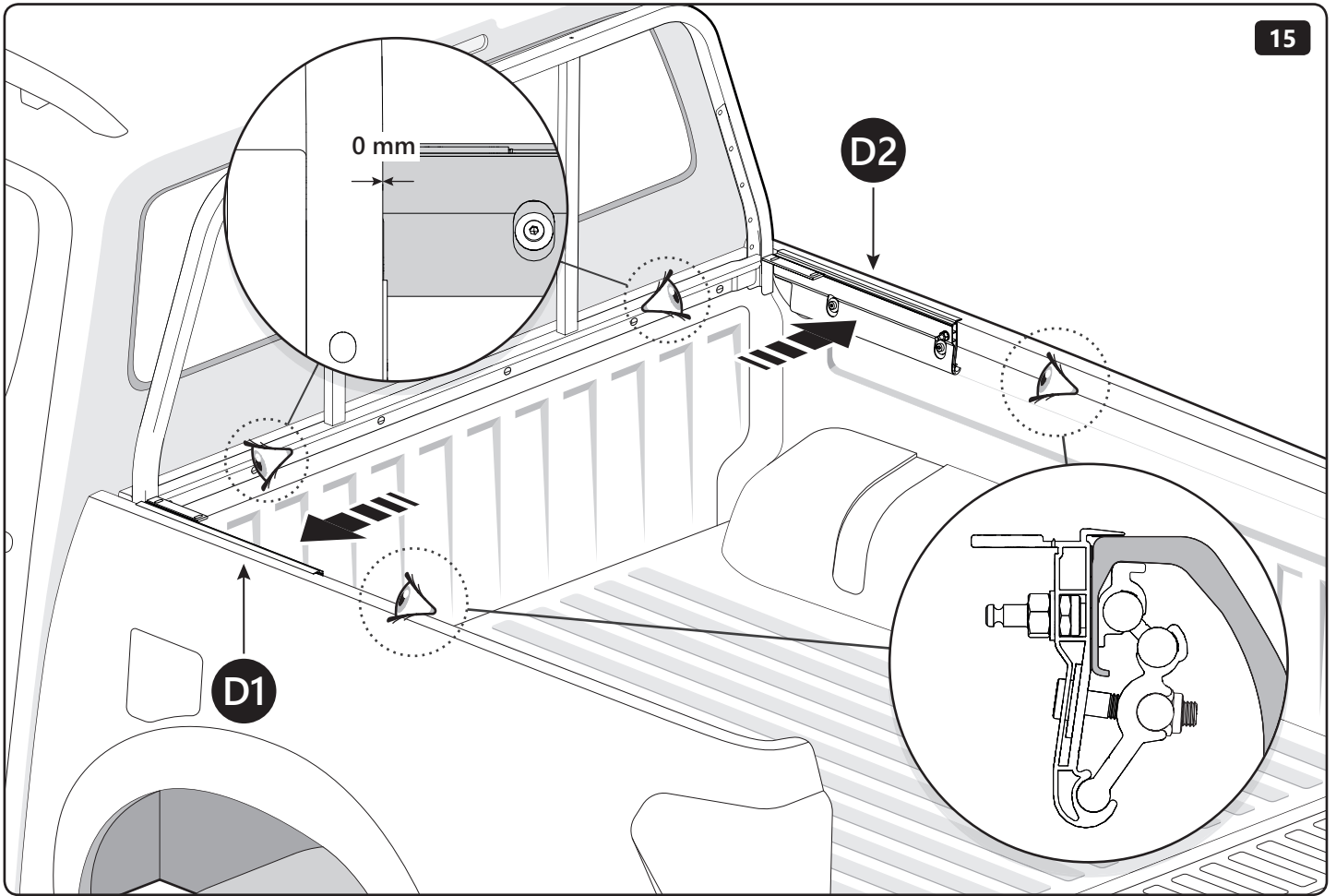
5mm



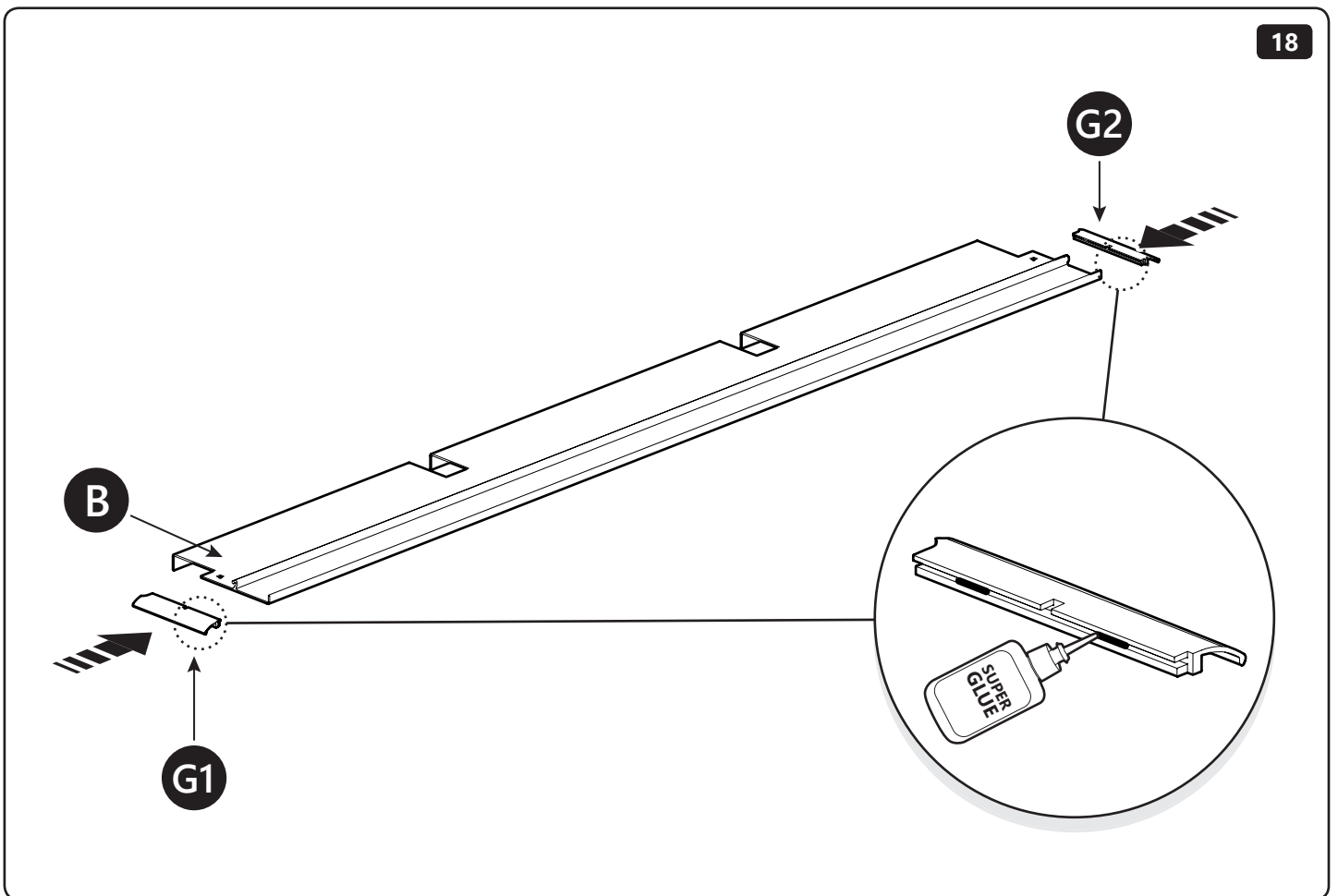
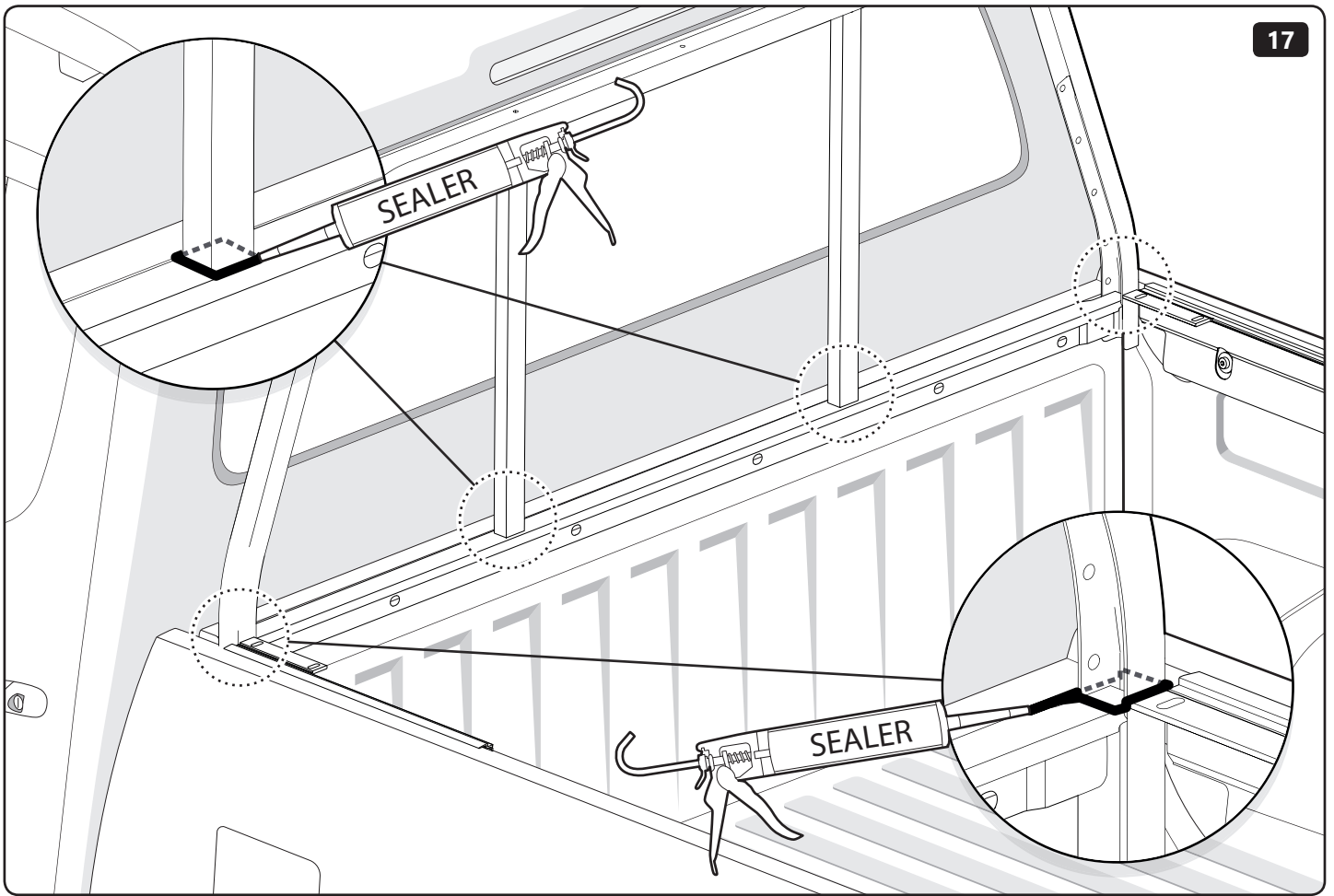
x 2

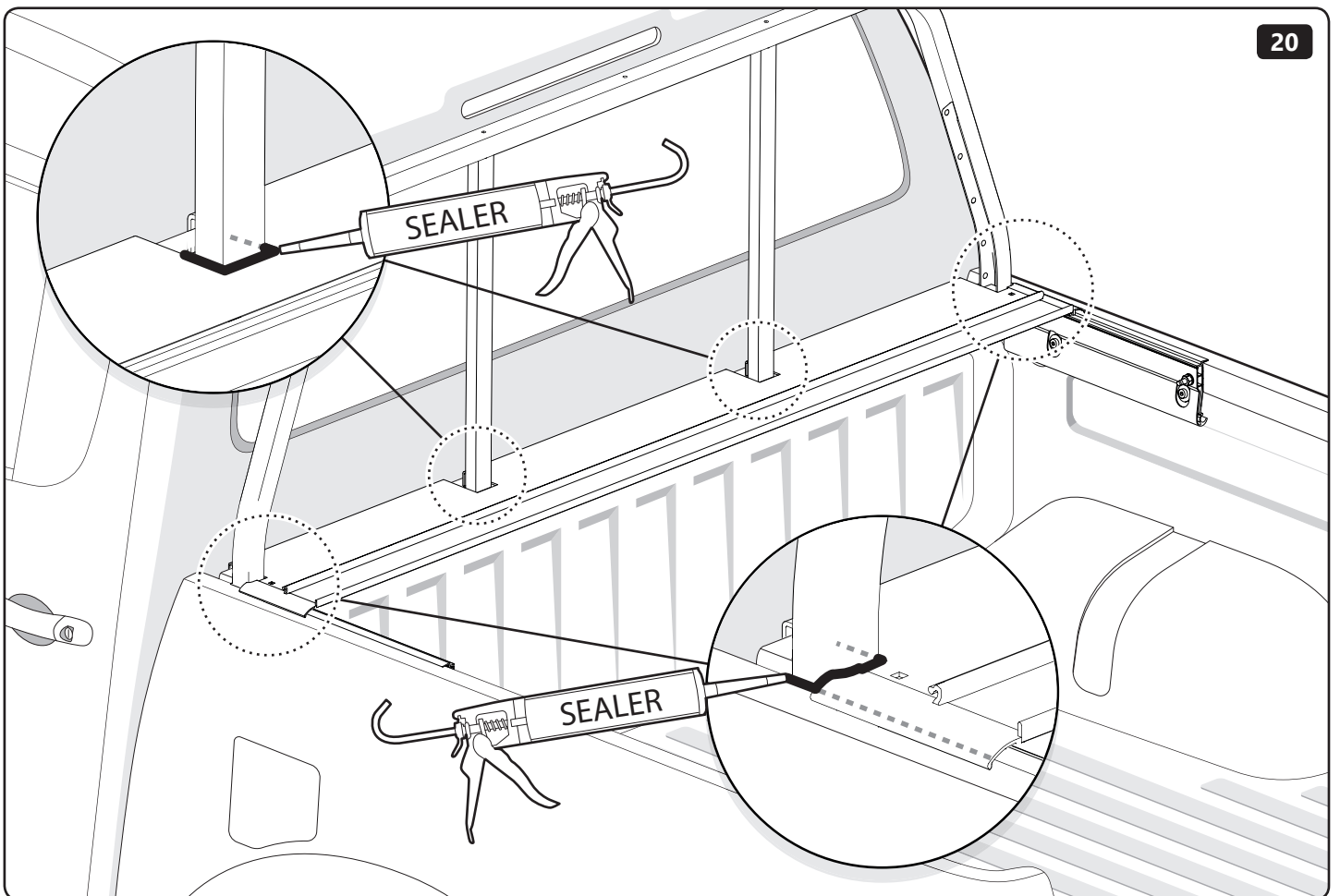
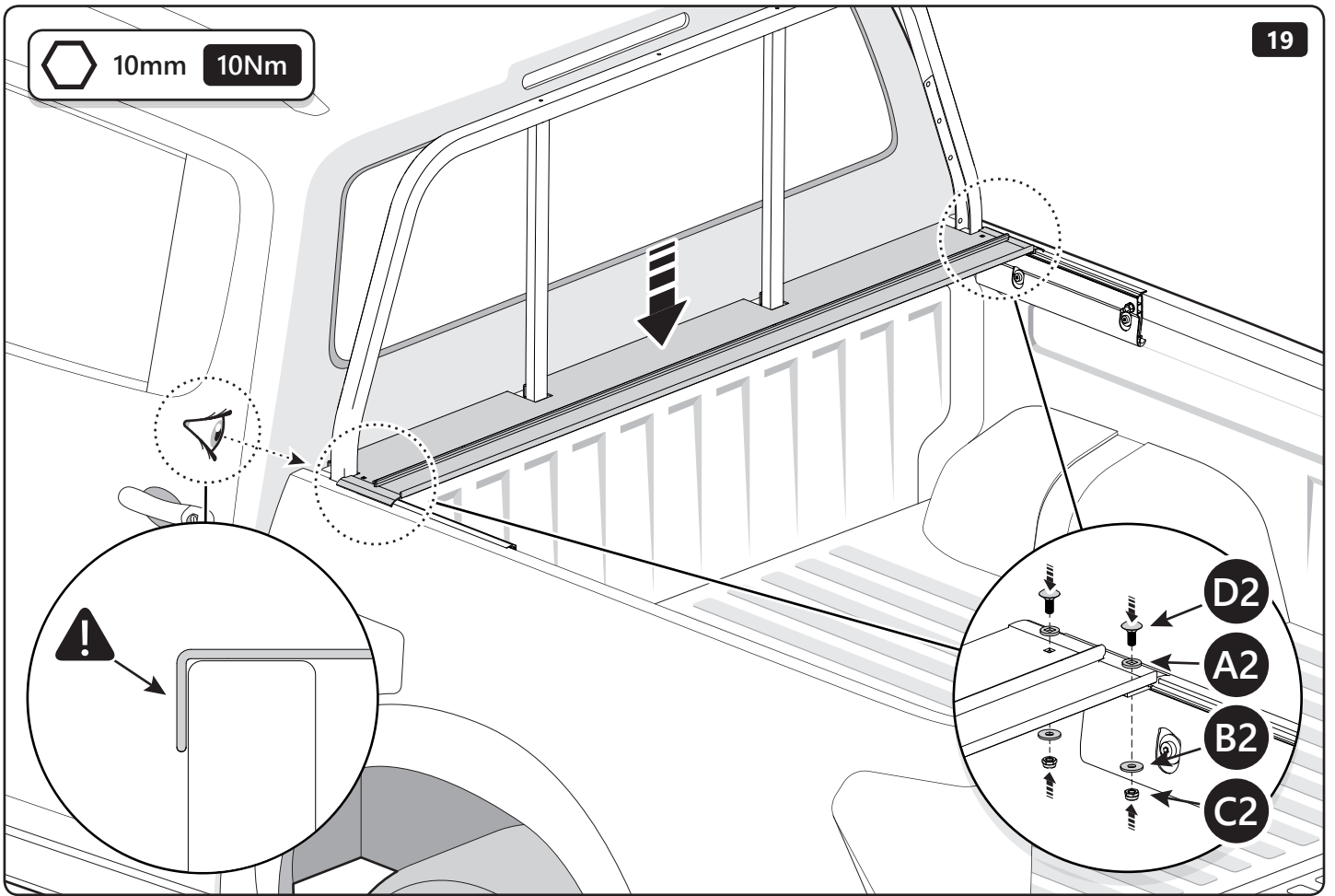


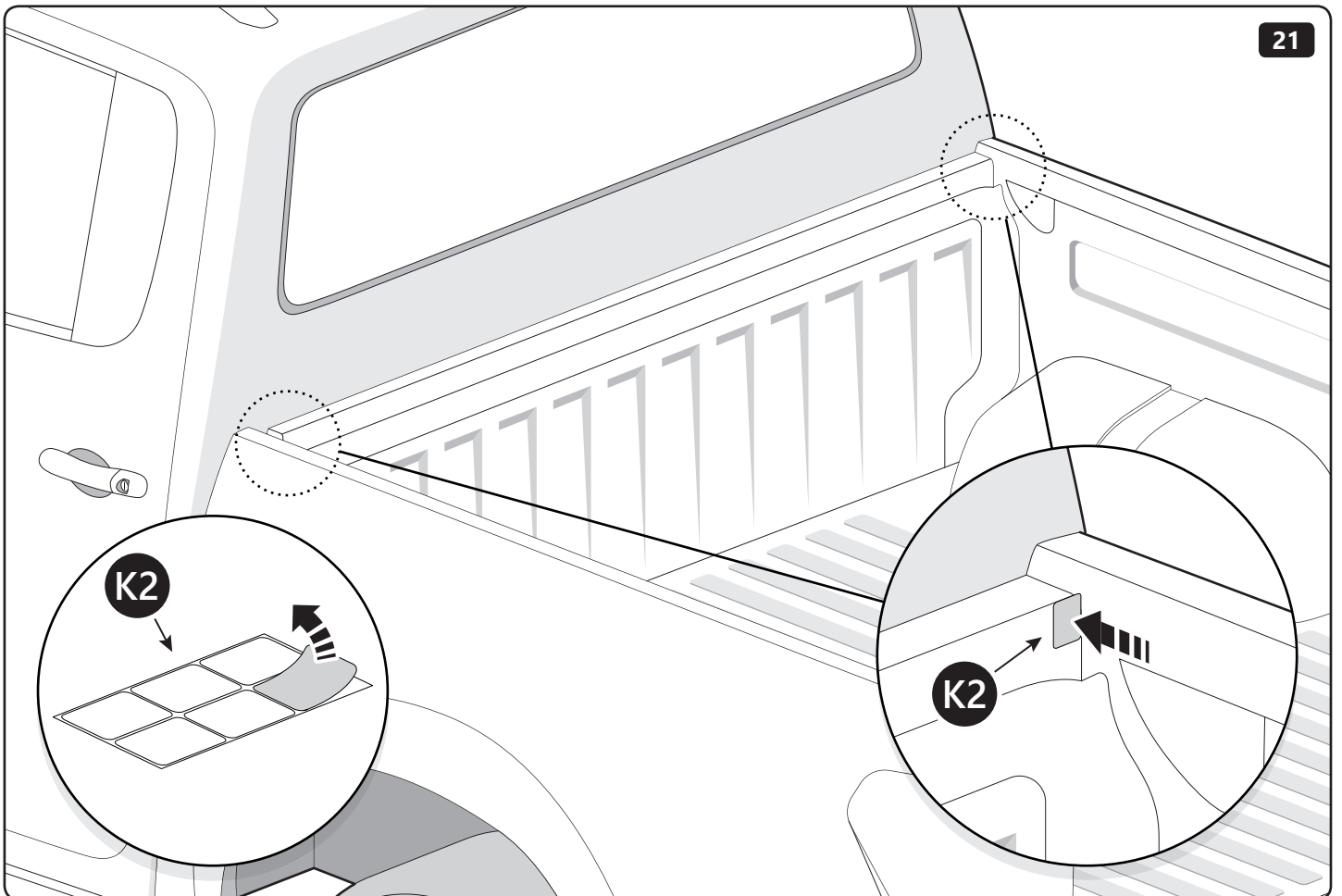
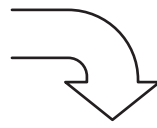
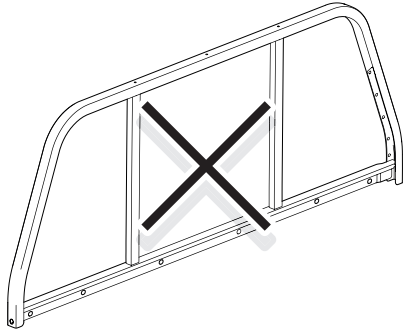
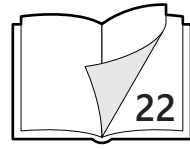
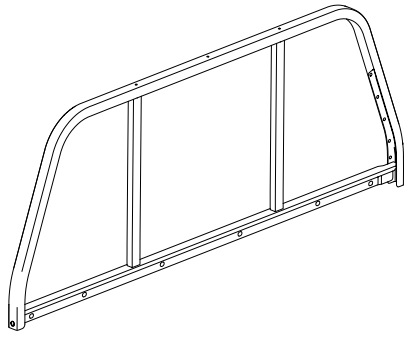




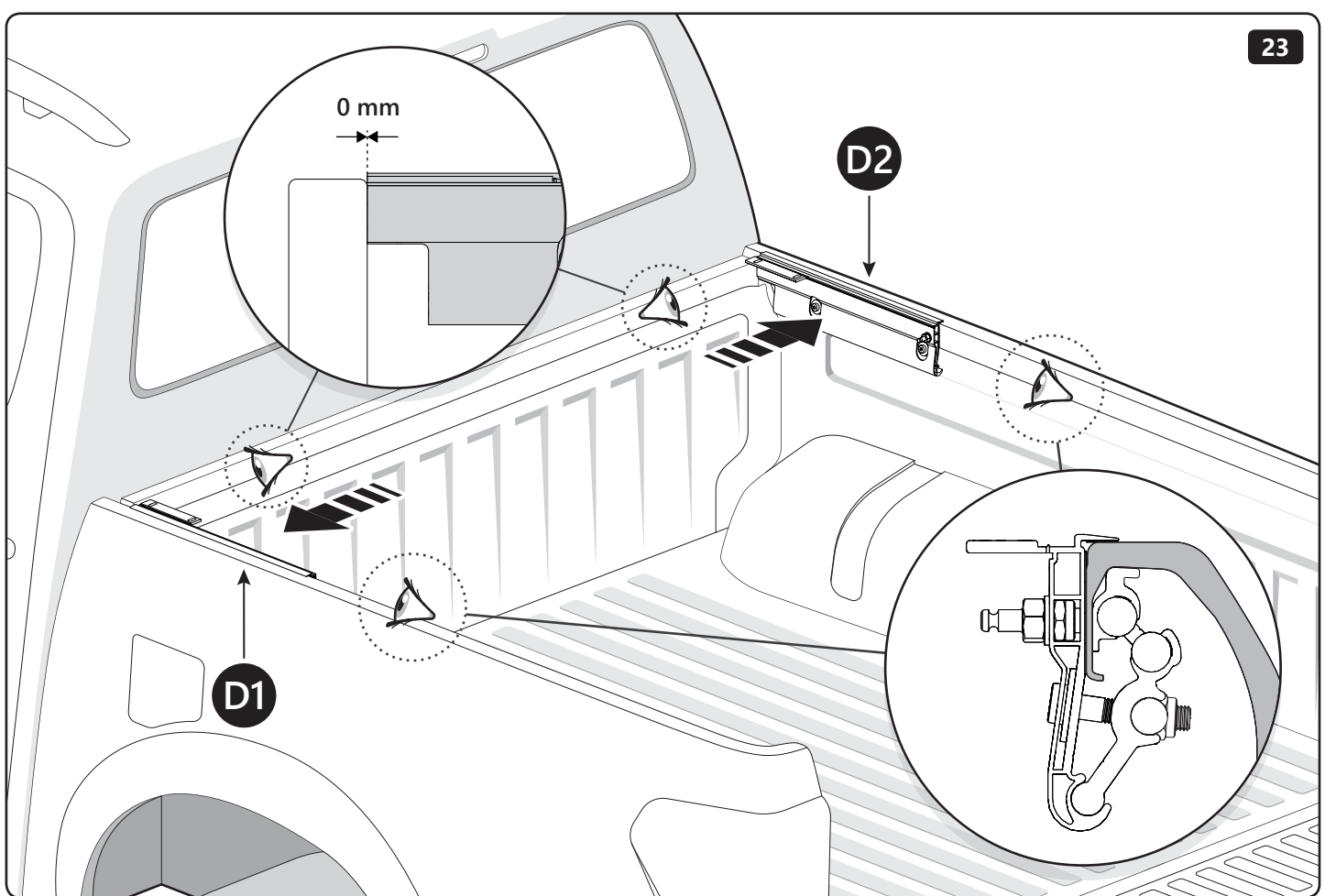
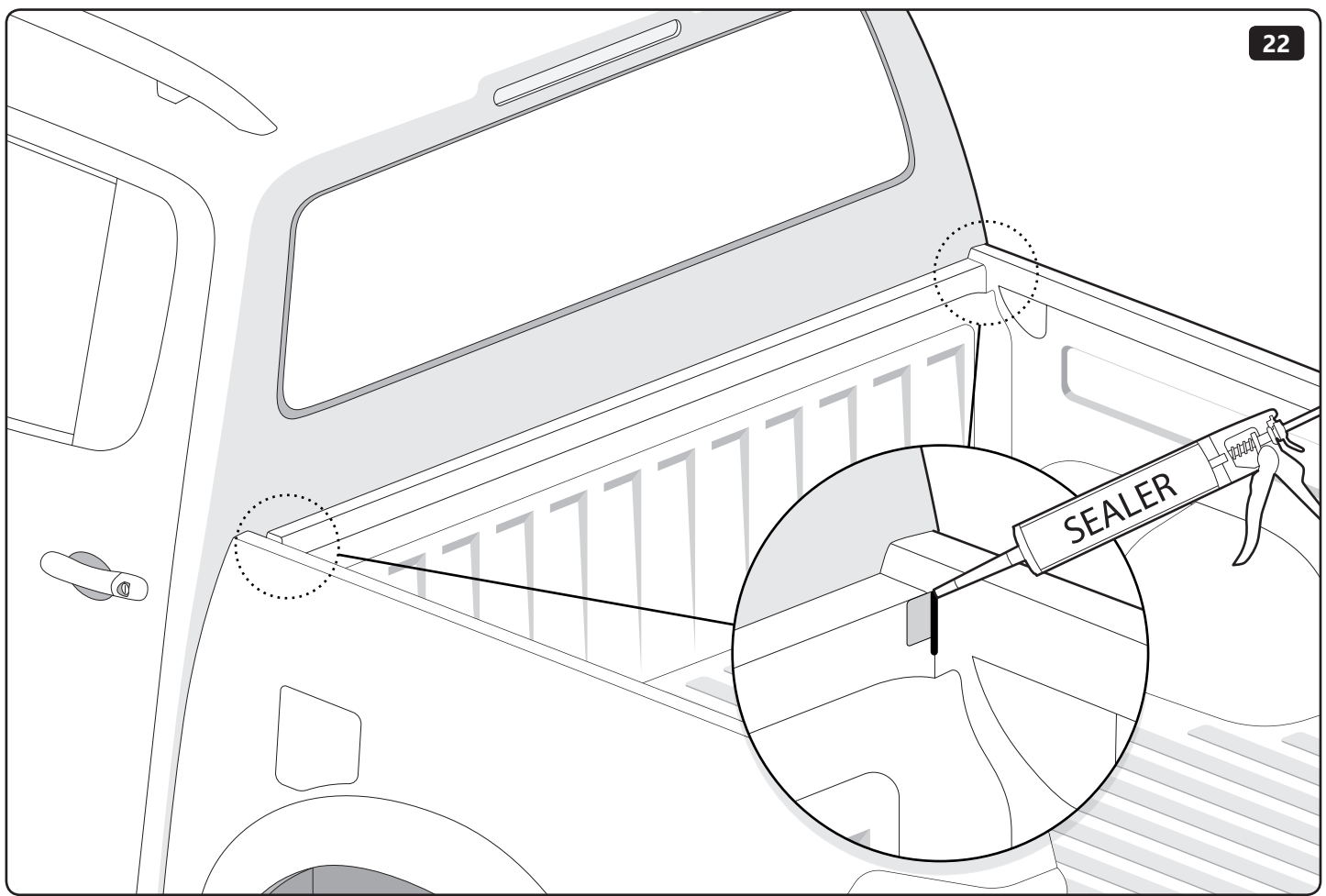


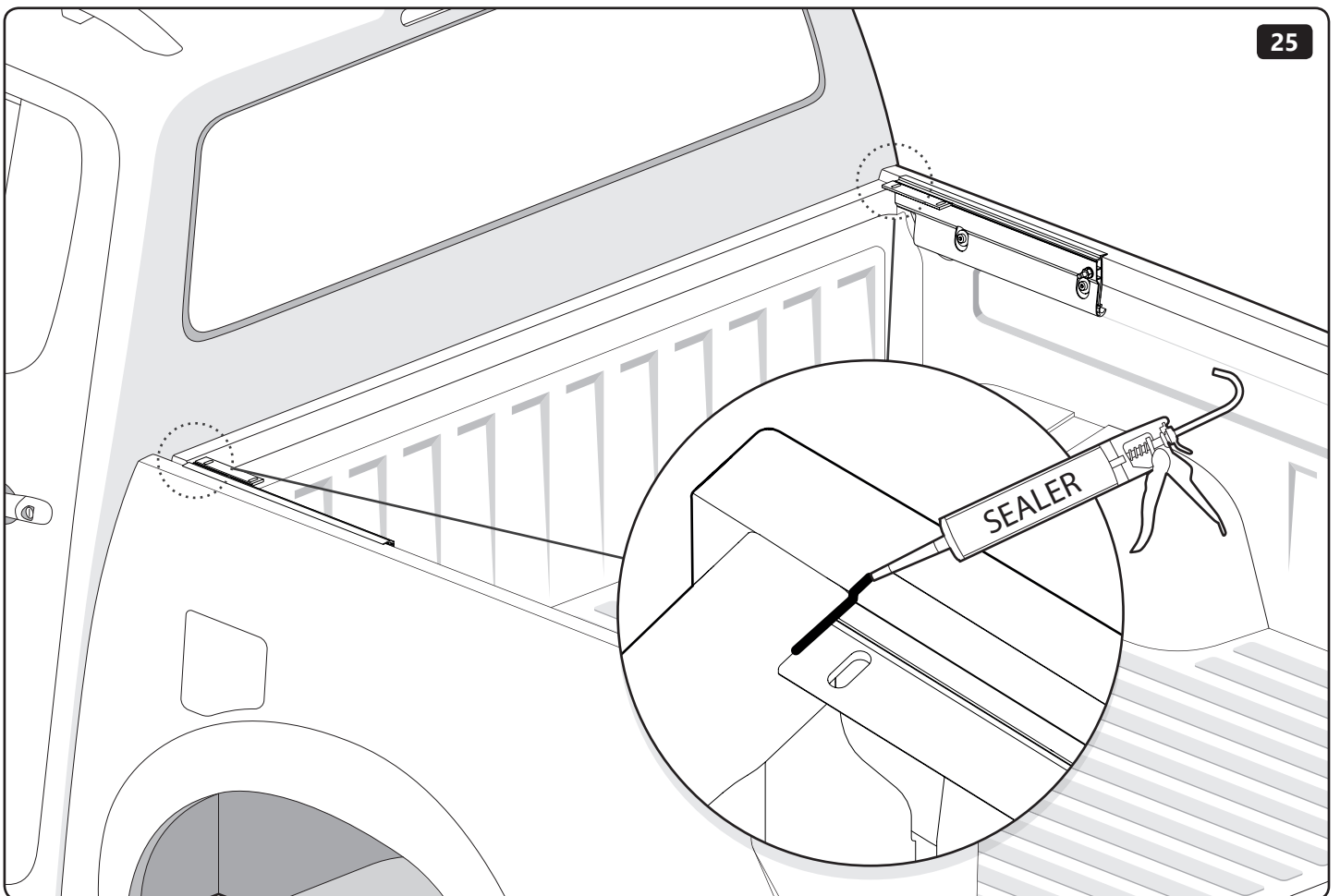
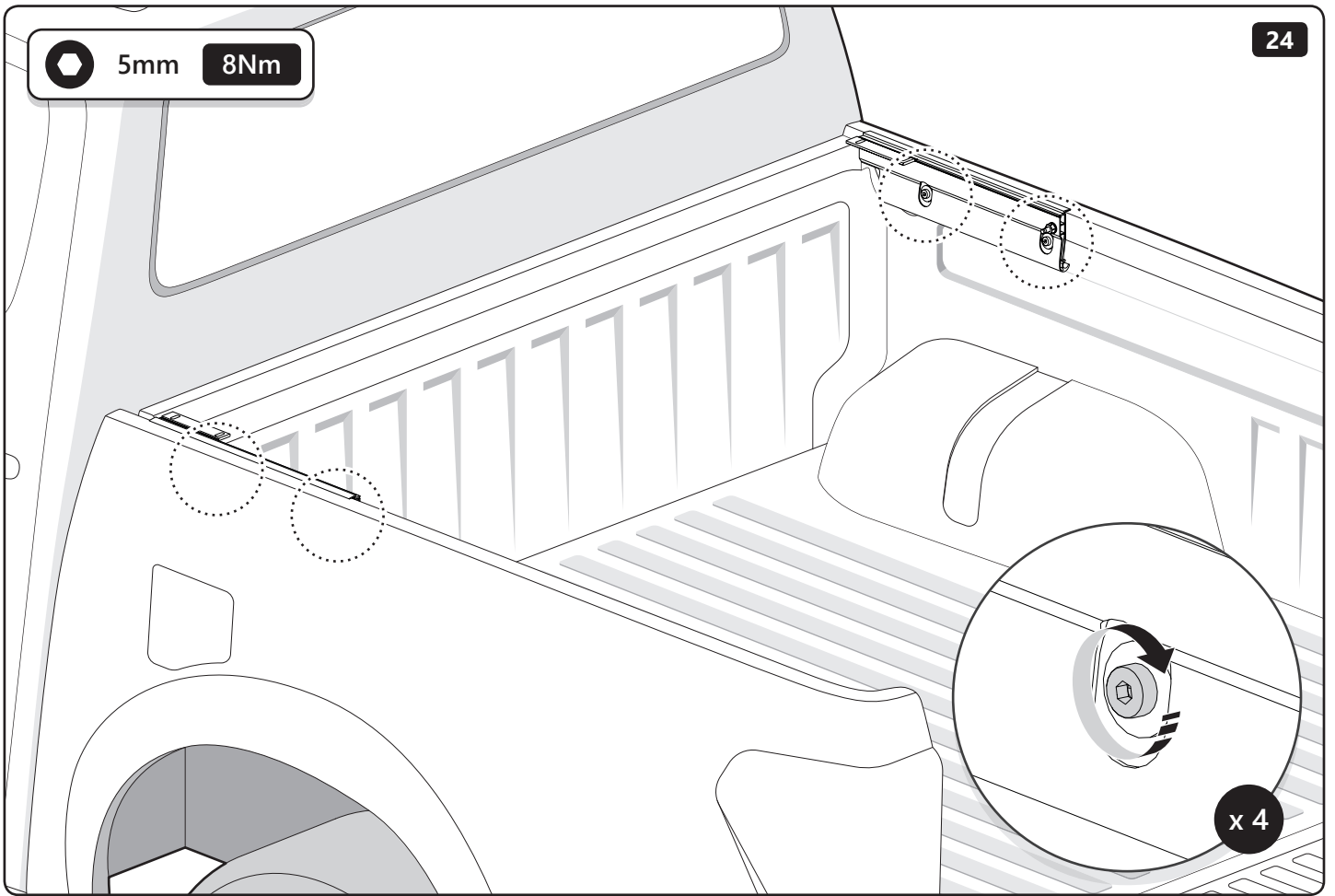


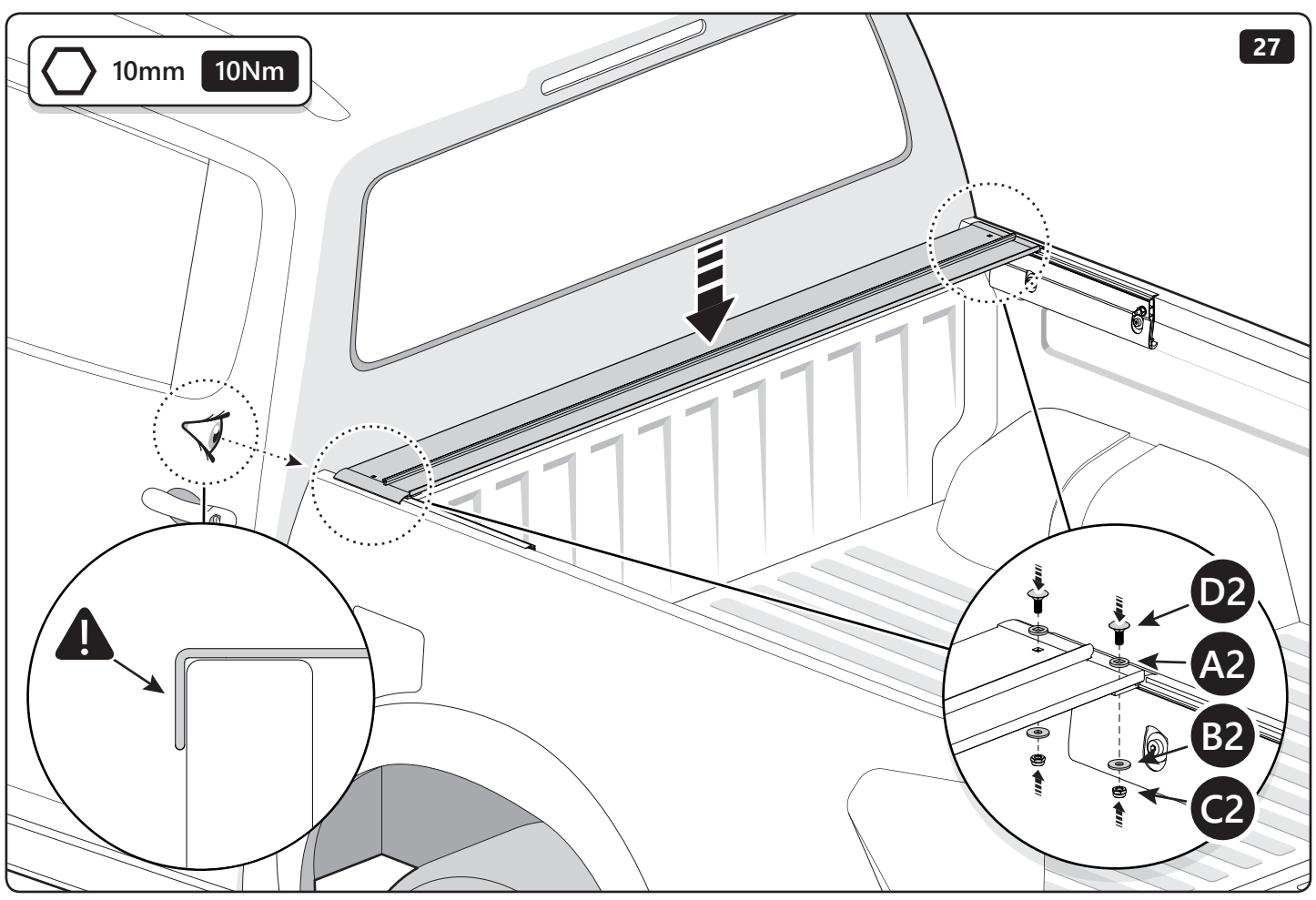
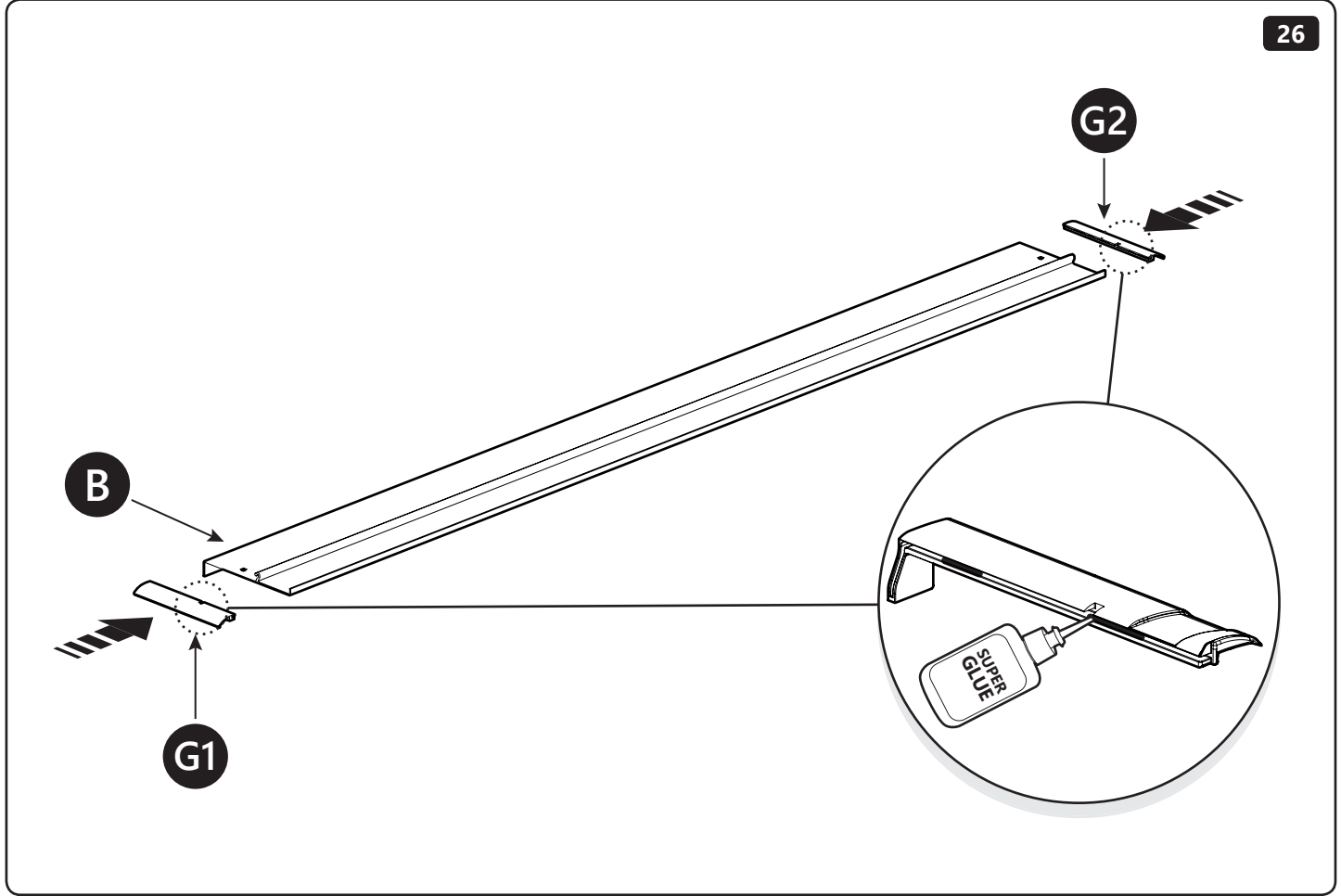


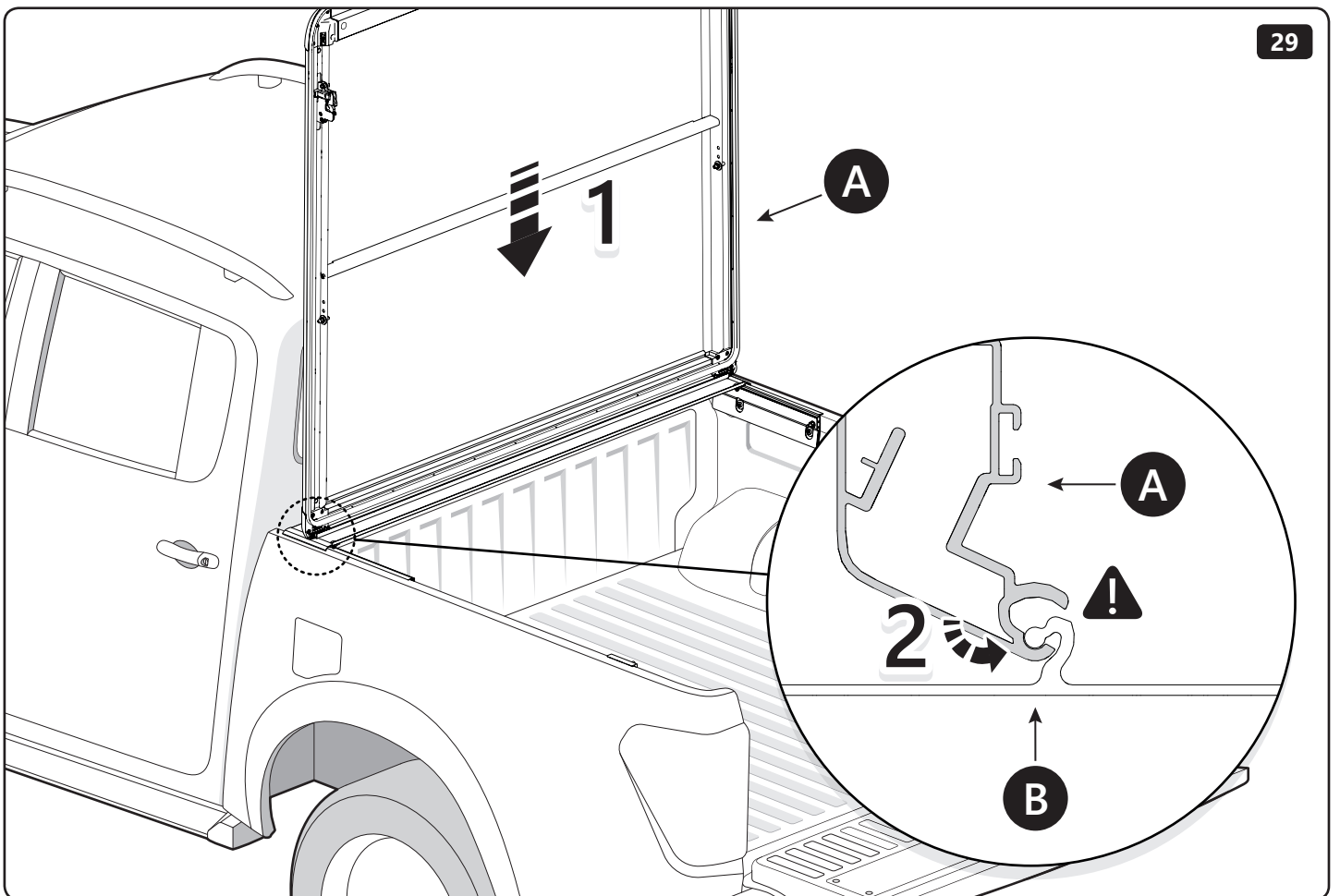
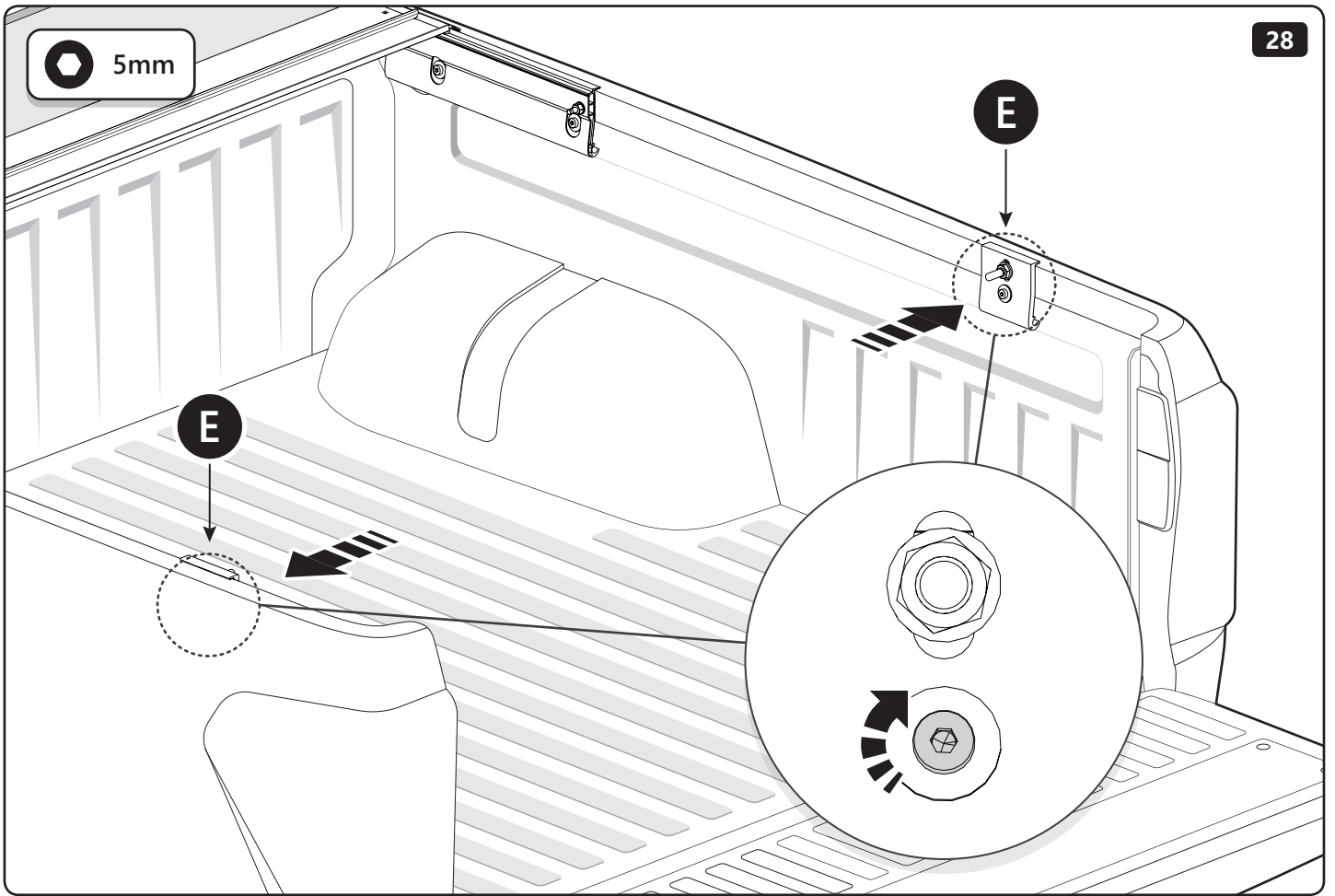


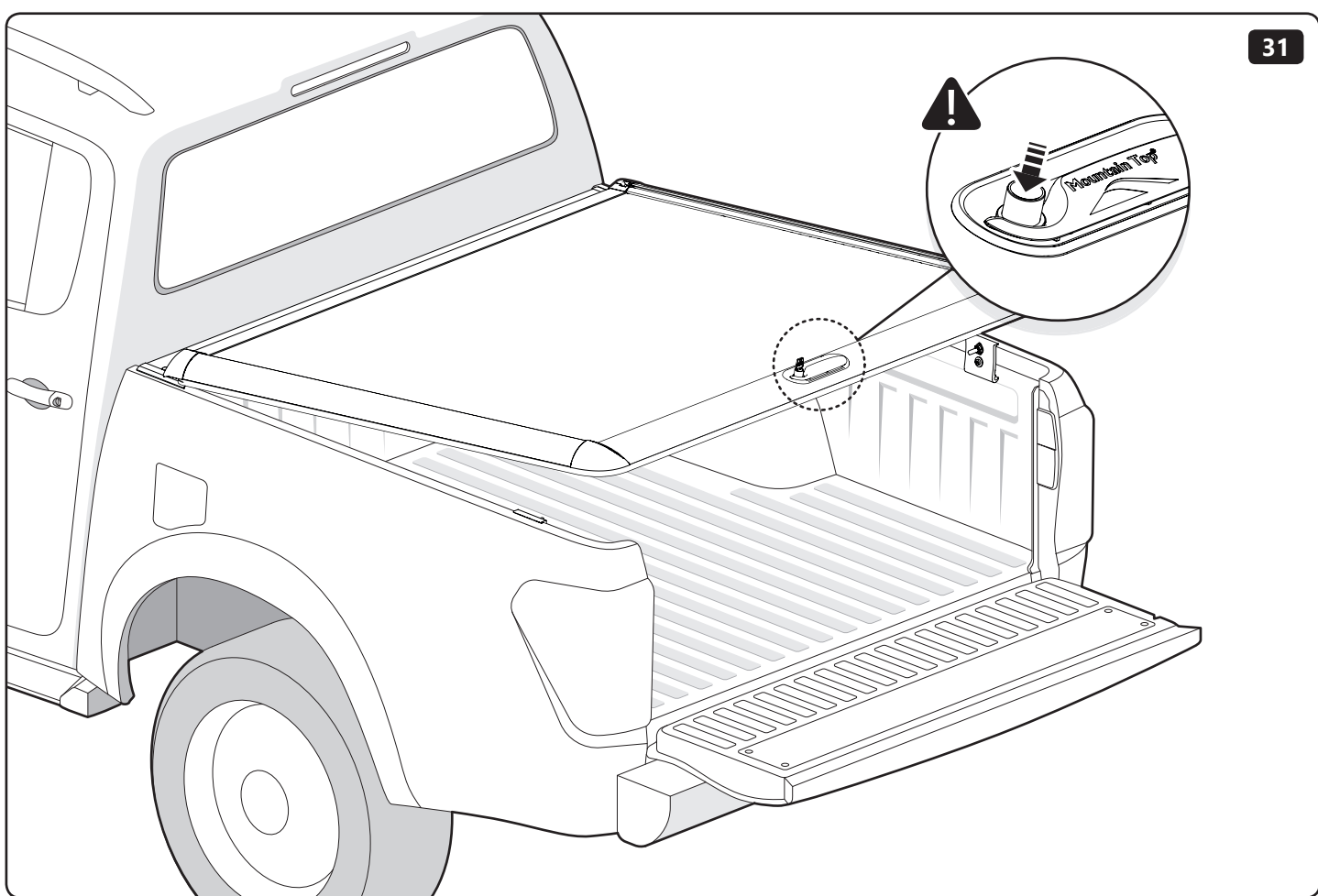
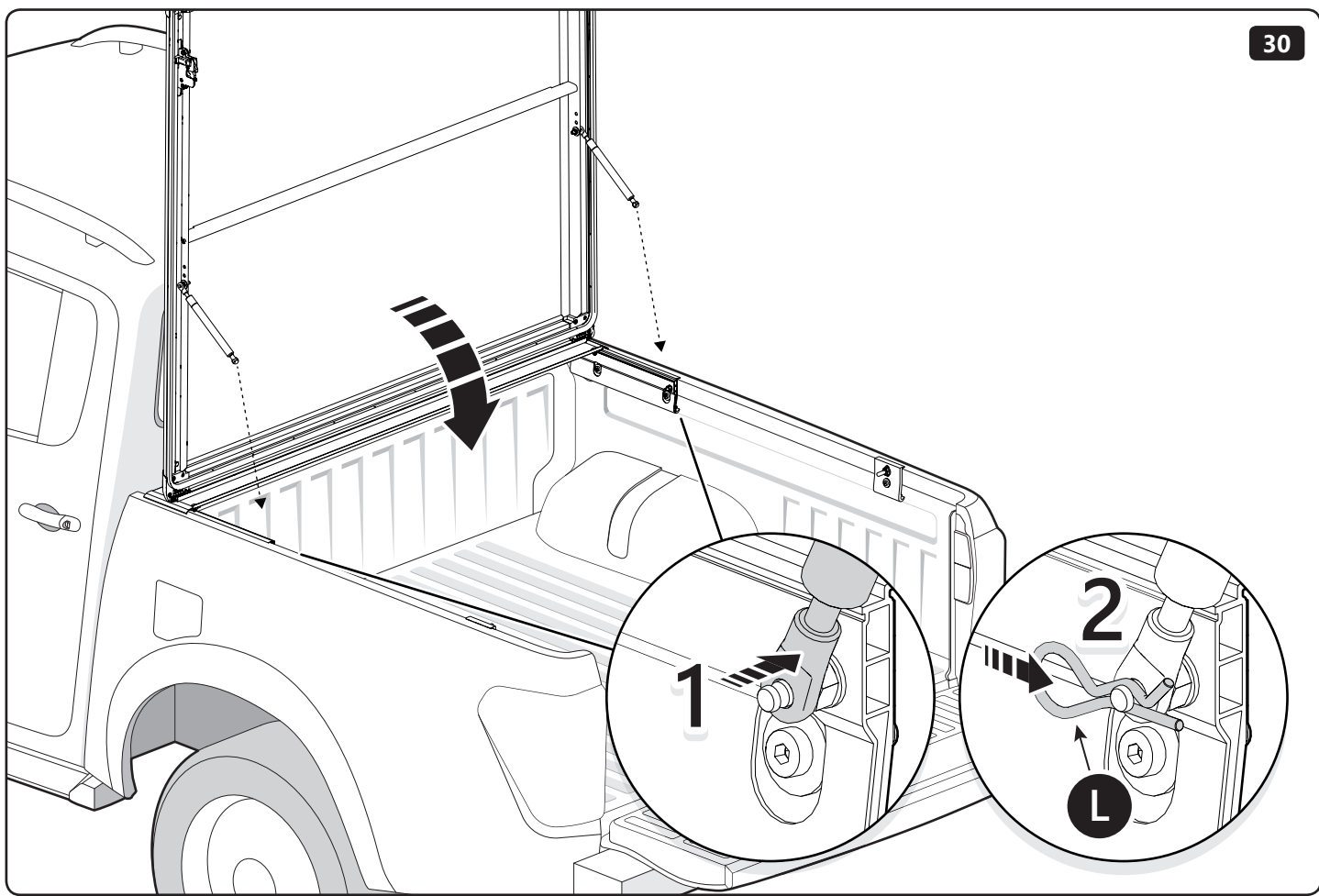
21





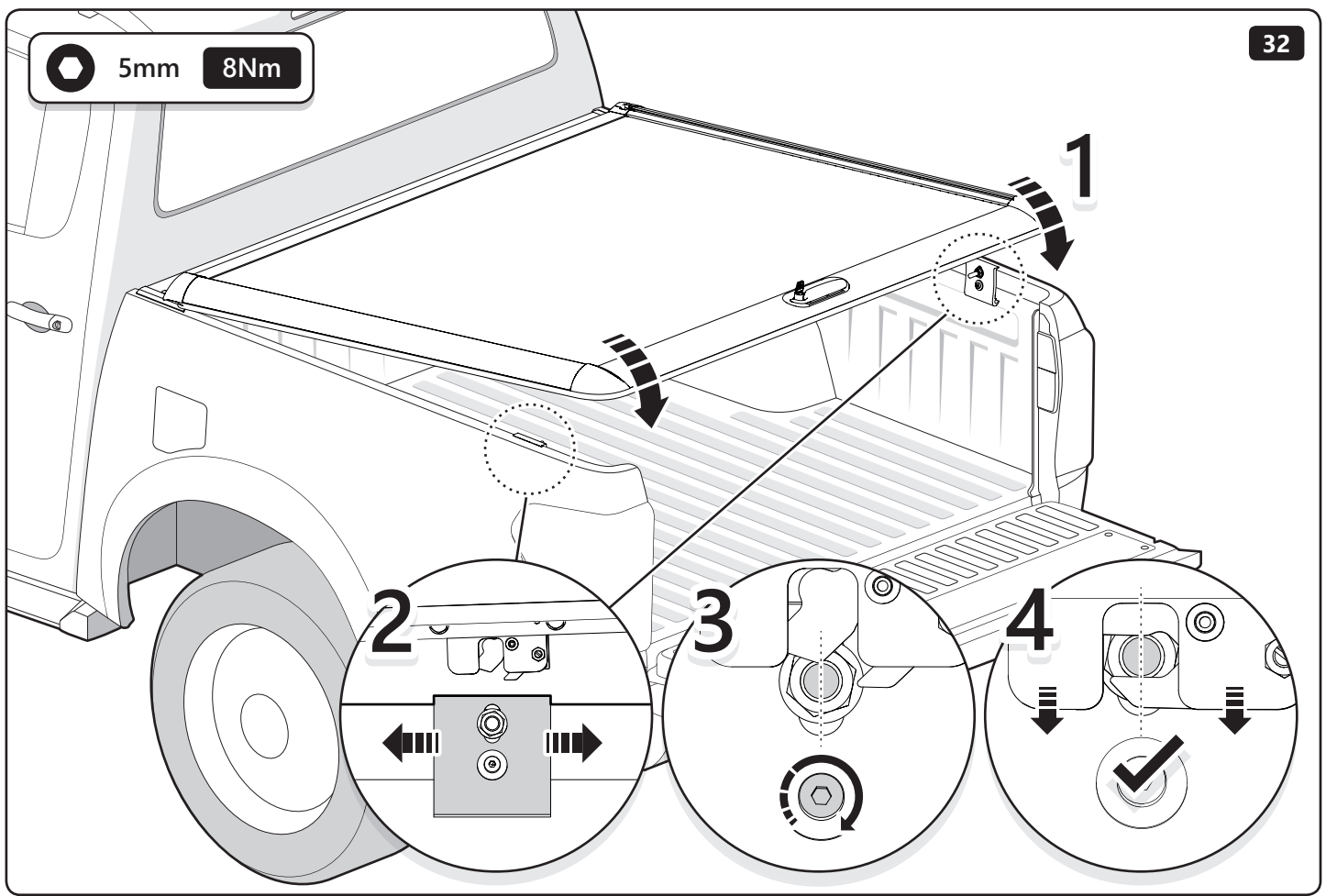




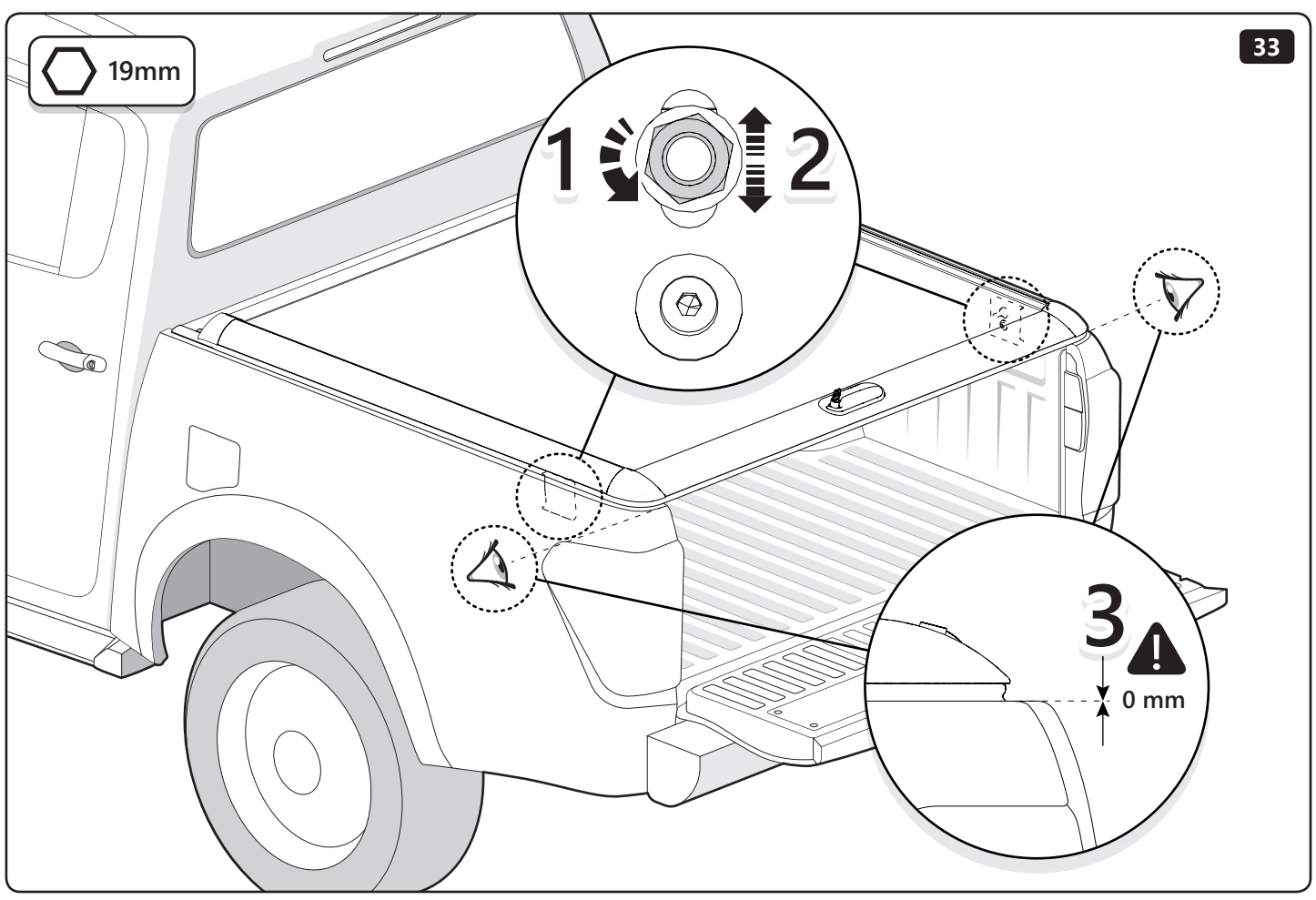


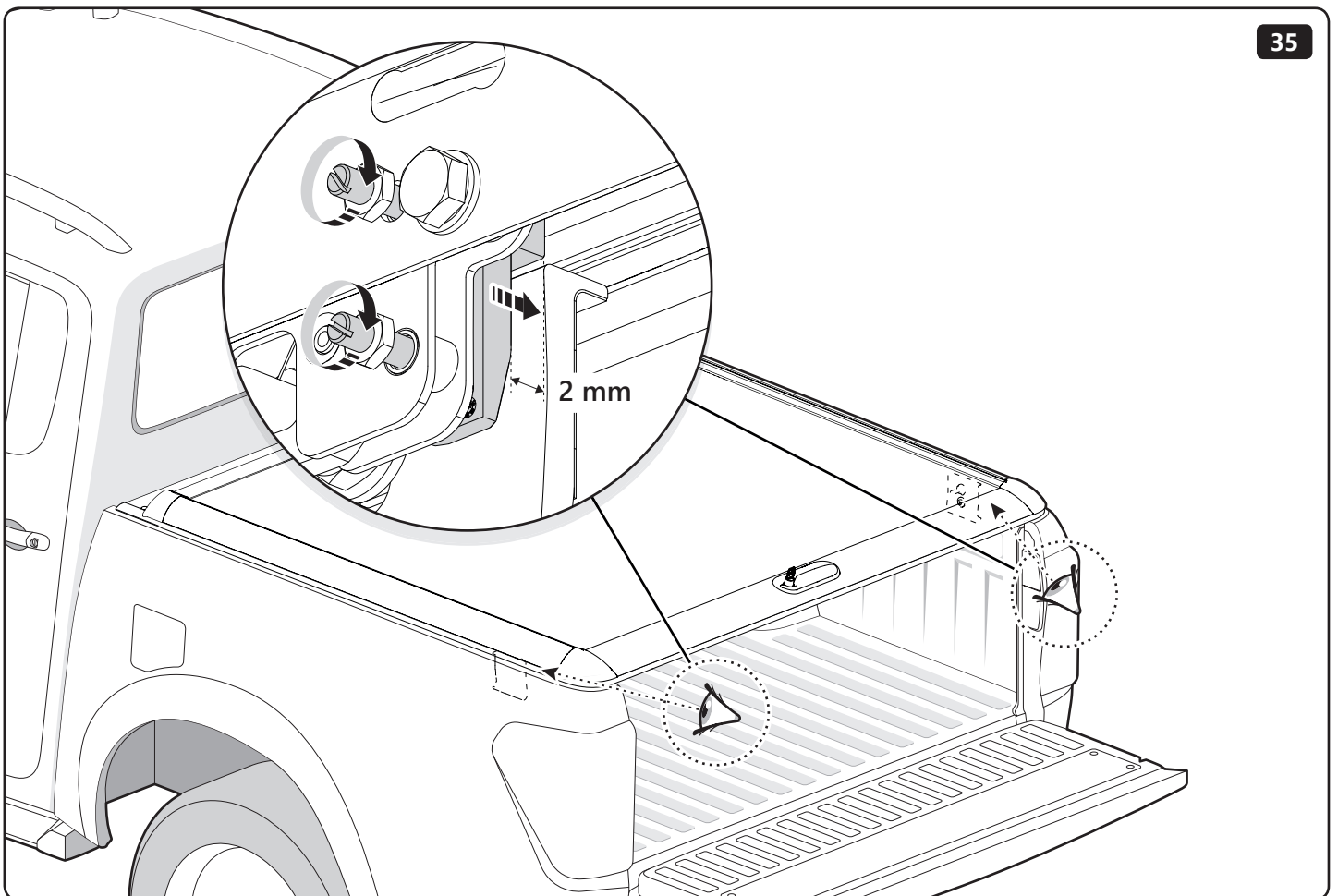
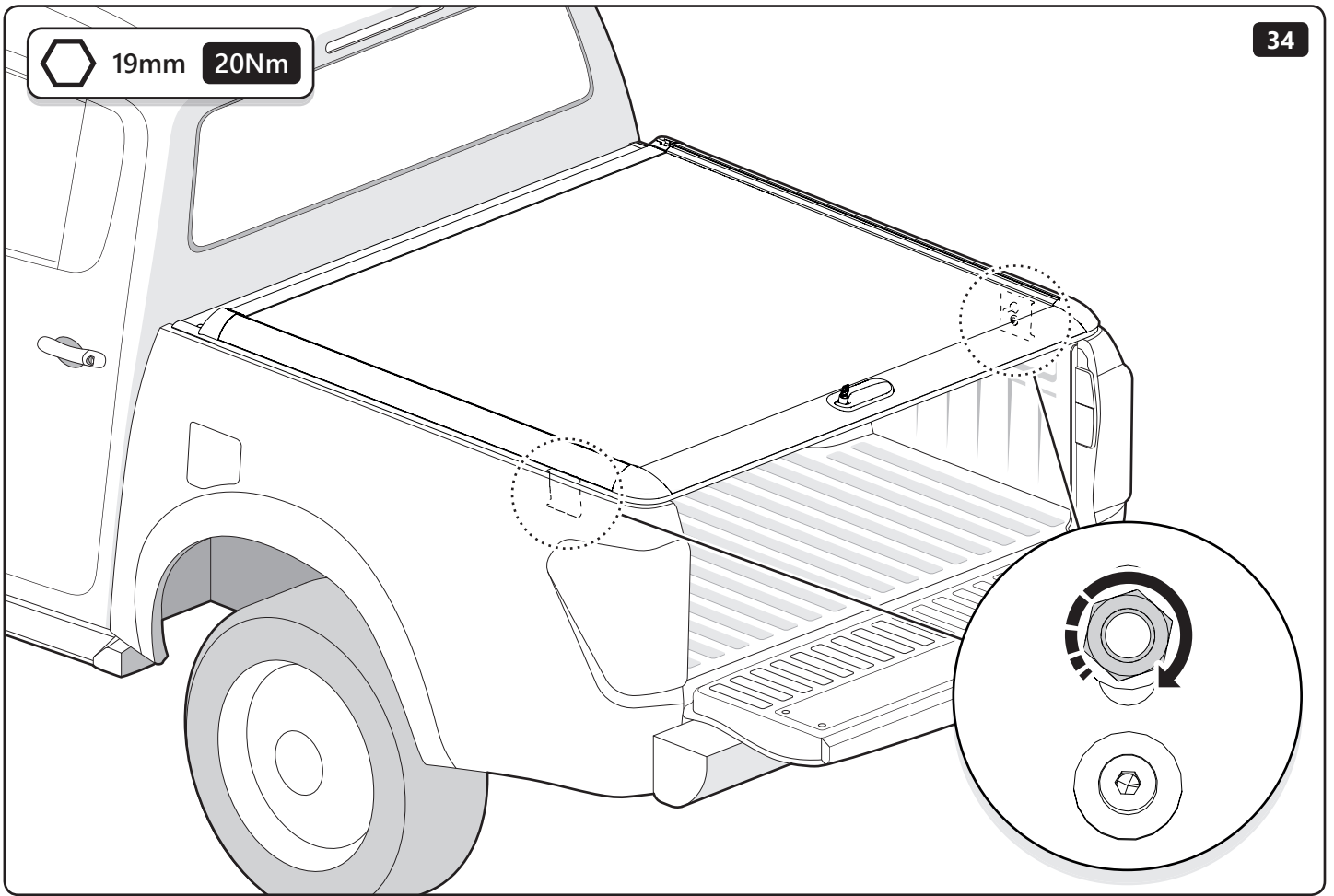


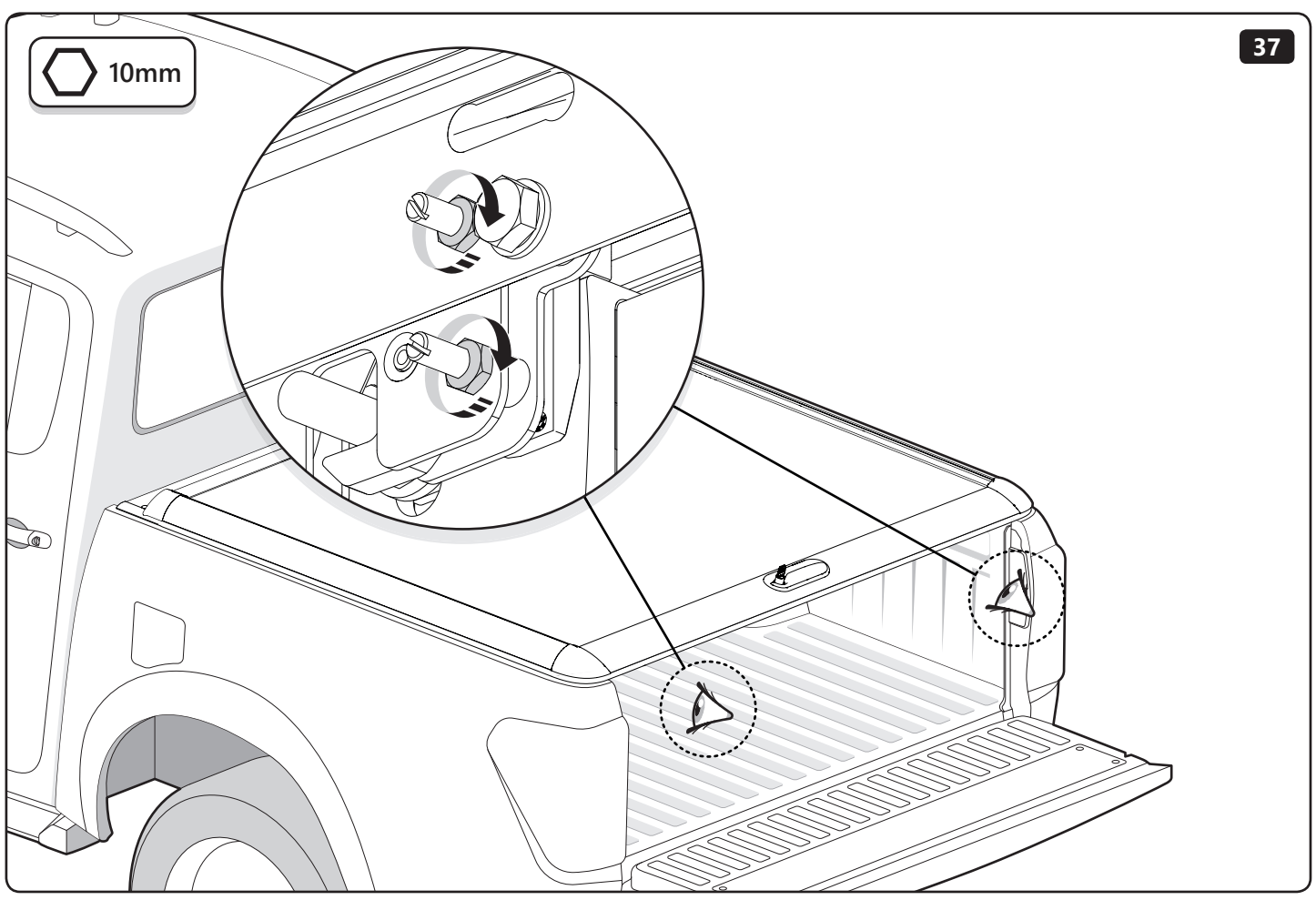
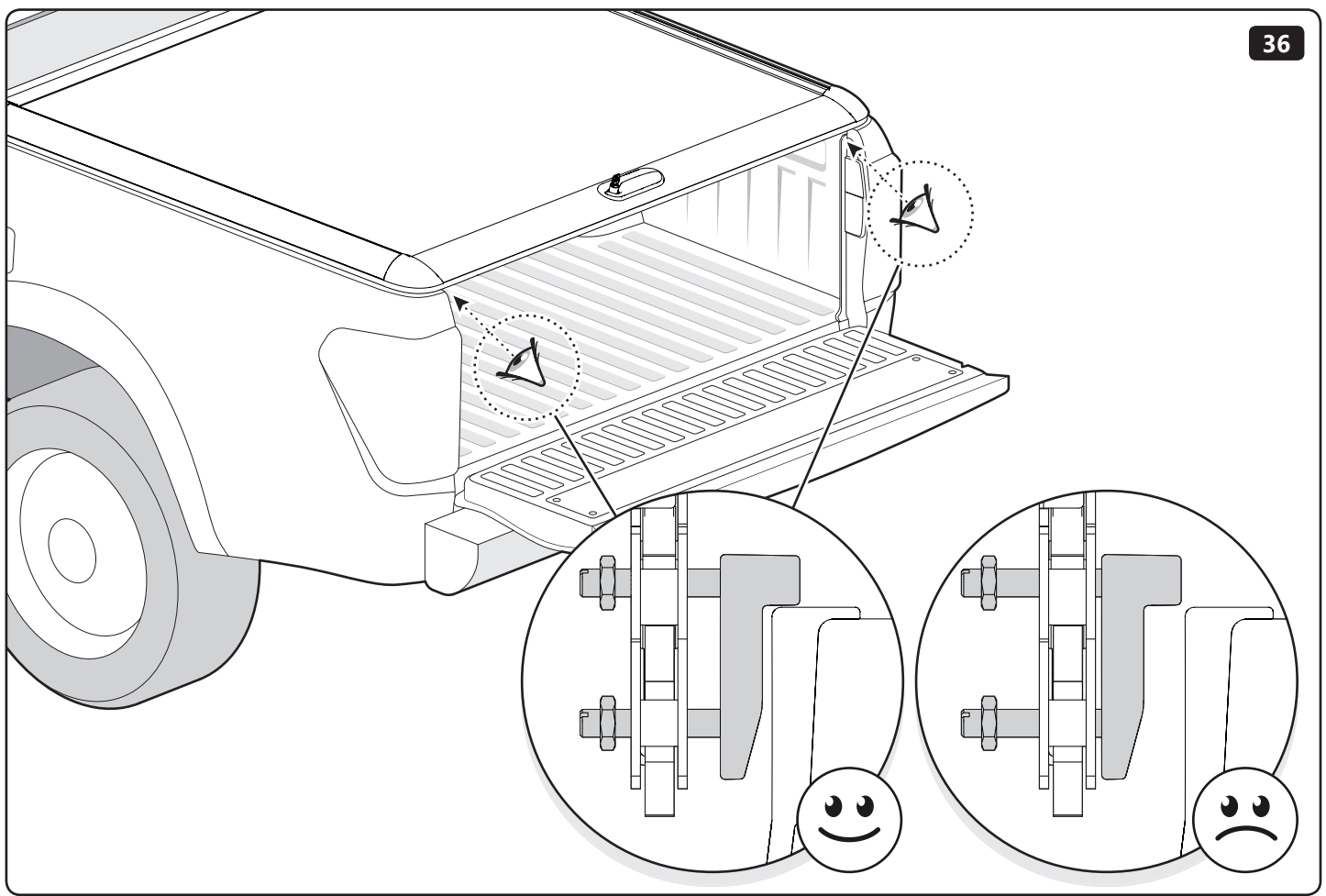
5mm 8Nm



19mm









Customer Service +45 4810 2950 (08:00 - 16:00 CET)  
Fax +45 4810 2960  
Support info@mountaintop.dk  
Website www.mountaintop.dk  
Address Pedersholmparken 10, 3600 Frederikssund, Denmark

PART NUMBER(S)	MODEL / YEAR	CAB TYPE(S)	INSTALLATION TIME	WEIGHT
MT2 TO90/91/92	Toyota / 2015 →	Double / Extra / Single	1 hour(s)	29 - 40 Kg
MT2 IS90/91/92	Isuzu / 2006 - 2011	Double / Space / Single	1 hour(s)	29 - 40 Kg
MT2 FO90/91/92	Ford / 2011 →	Double / Super / Single	1 hour(s)	29 - 40 Kg
MT2 MI90/91	Mitsubishi / 2015 →	Double / Club	1 hour(s)	29 - 40 Kg
MT2 MA90/91/92	Mazda / 2011 →	Double / Super / Single	1 hour(s)	29 - 40 Kg
MT2 NI90/91	Nissan / 2015 →	Double / King	1 hour(s)	29 - 40 Kg
MT2 VW80/82	Volkswagen / 2010 →	Double / Single	1 hour(s)	29 - 40 Kg
MT2 MI90/91	Fiat / 2016 →	Double / Club	1 hour(s)	29 - 40 Kg
MT2 MB90	Mercedes Benz / 2017 →	Double	1 hour(s)	29 - 40 Kg
MT2 RE90/91	Renault / 2017 →	Double/ King	1 hour(s)	29 - 40 Kg

<b>GB</b> Installation manual	<b>S</b> Monteringsanvisning	<b>D</b> Einbauanleitung
<b>SF</b> Asennusohje	<b>E</b> Instrucciones de montaje	<b>CZ</b> Návod k instalaci
<b>F</b> Notice de montage	<b>H</b> Szerelési utasítás	<b>I</b> Istruzioni de montaggio
<b>PL</b> Instrukcja montażu	<b>P</b> Instruções de instalação	<b>GR</b> Οδηγίες Εγκατάστασης
<b>NL</b> Installatie-instructies	<b>RUS</b> Инструкция по установке	<b>DK</b> Monteringsvejledning
<b>TR</b> Montaj Talimatı	<b>N</b> Monteringsveiledning	<b>RO</b> Instructiuni de instalare