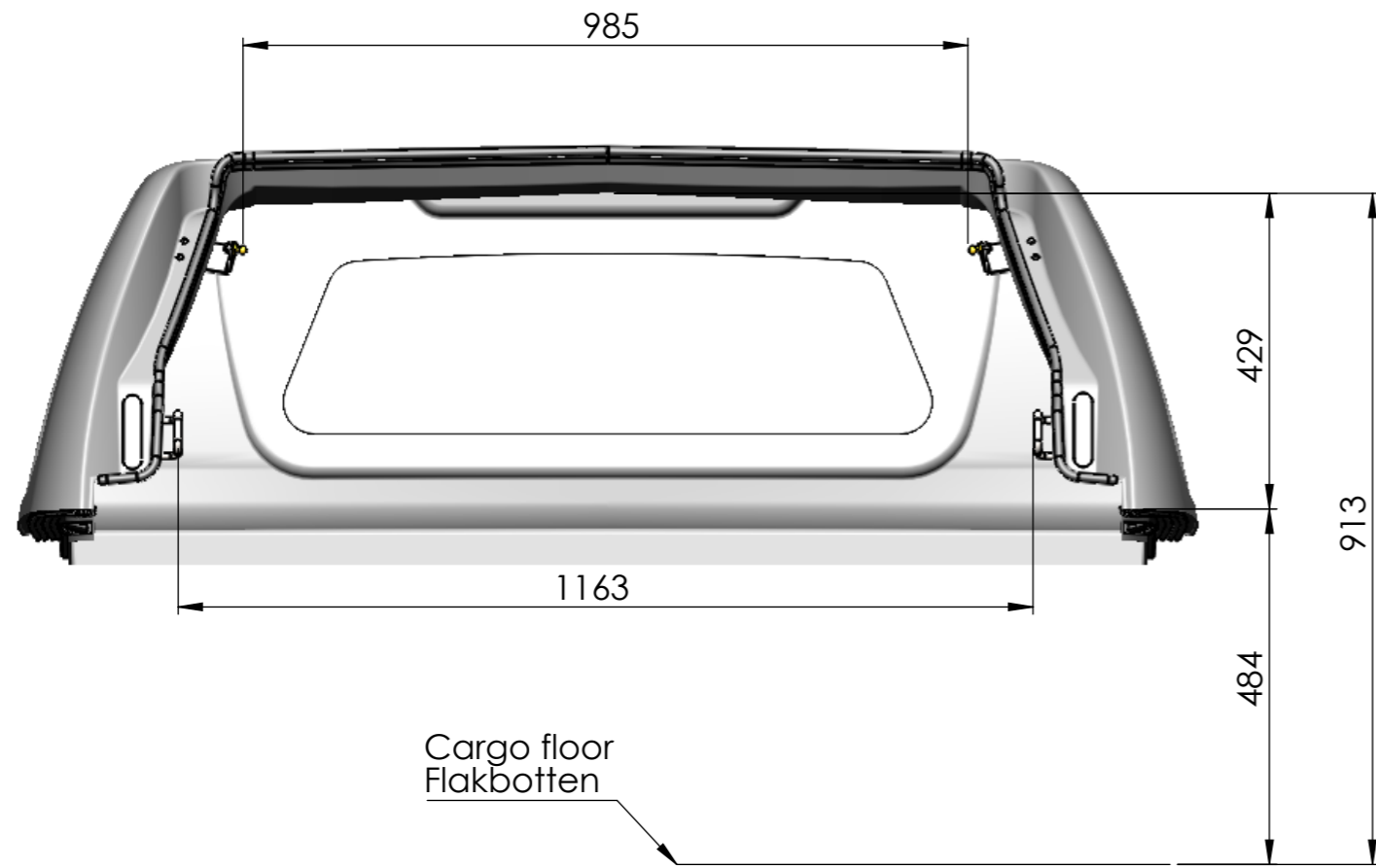
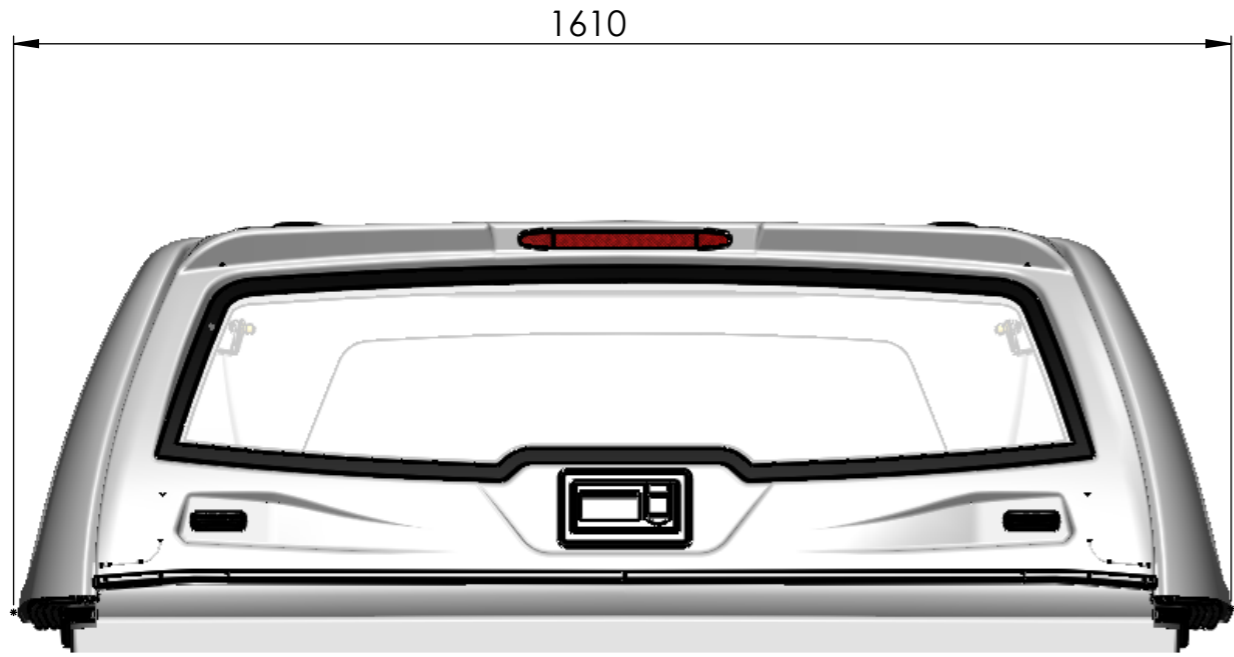
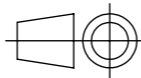



This drawing is the property of PLB Vindic AB. It is strictly confidential and must not be copied, traced or loaned without permission. Any infringement of these conditions will lead to the institution of legal procedures



	General tolerances:	ISO 2768-1m	Material:	Scale: 1:10
				Mass: kg
Designed by:	S. Ennemuist	Title/Name: NP3DC-1133 measurements		
Checked by:	S. Ennemuist			
Date:	12.02.2016	Sheet: 1/1	Drawing number: NP3DC-1133 M	
Owner:	 PLB Vindic AB Sweden			