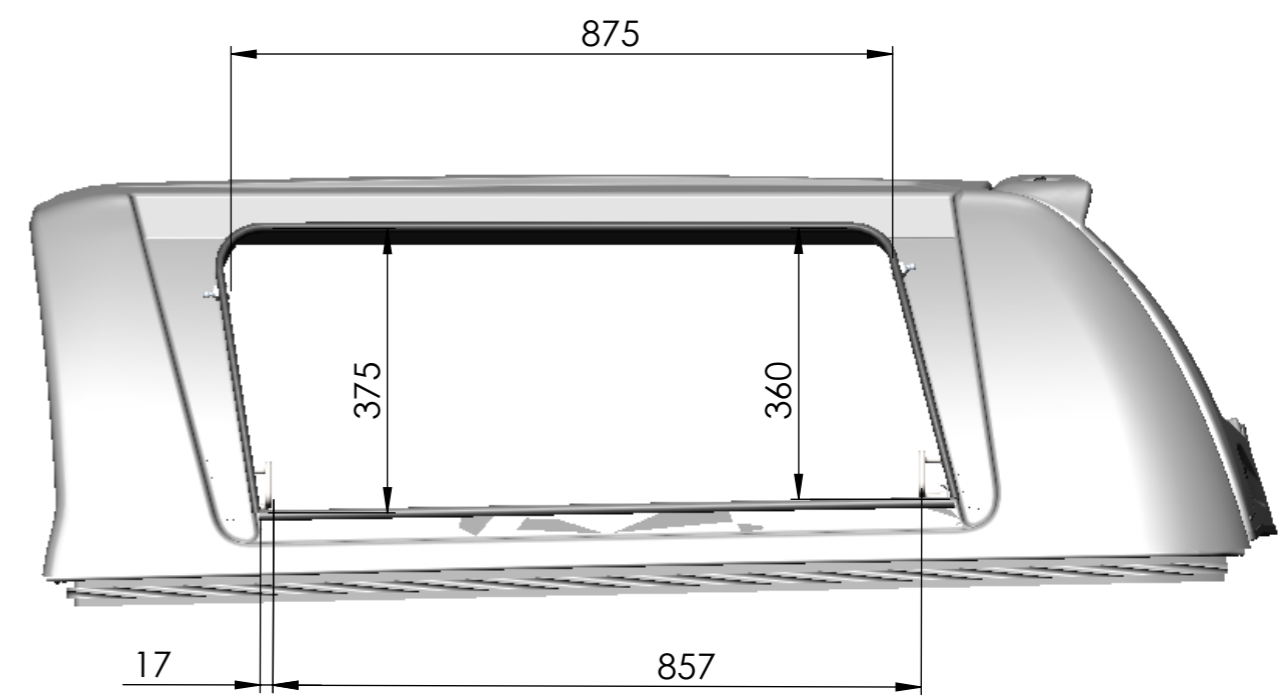
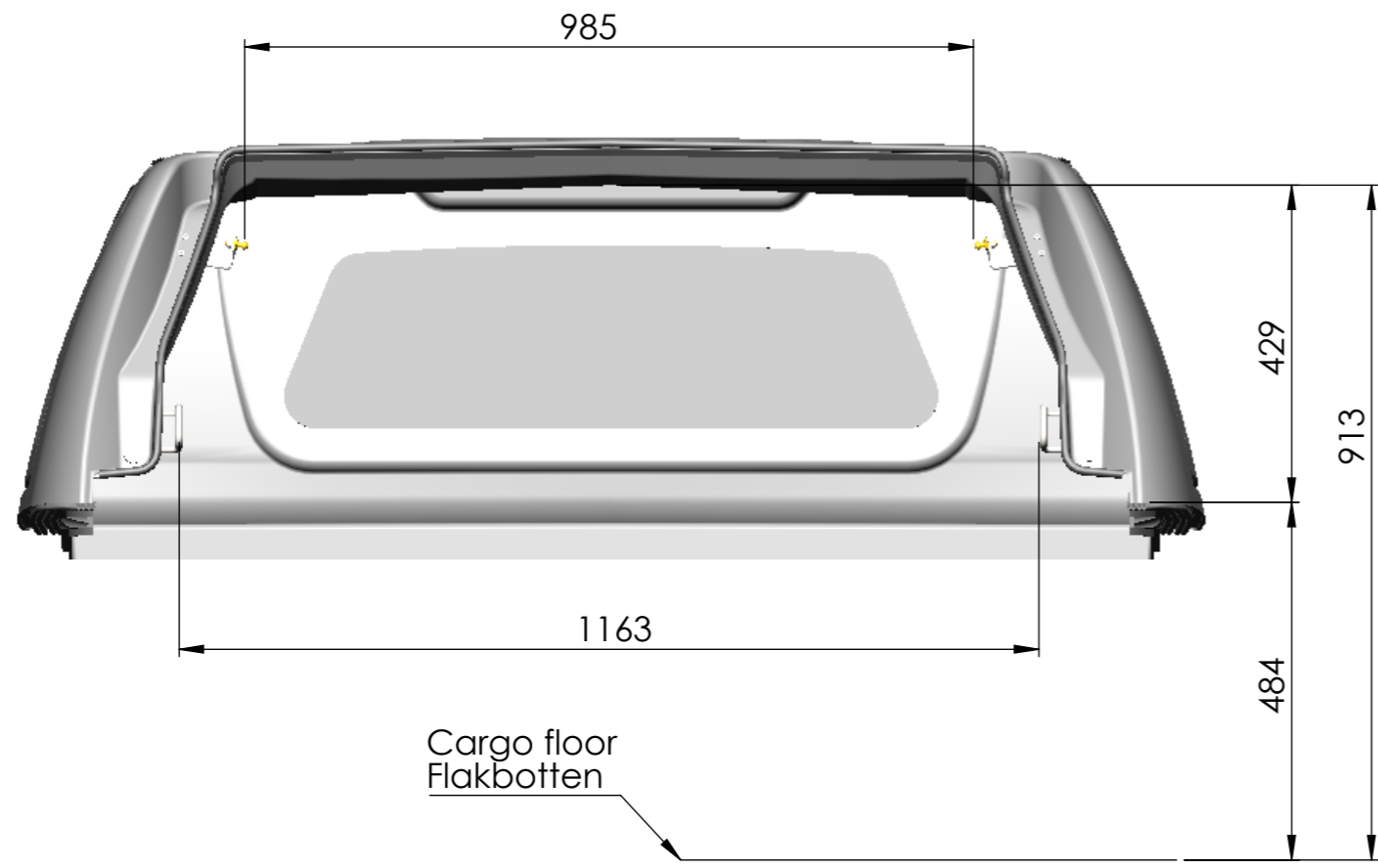
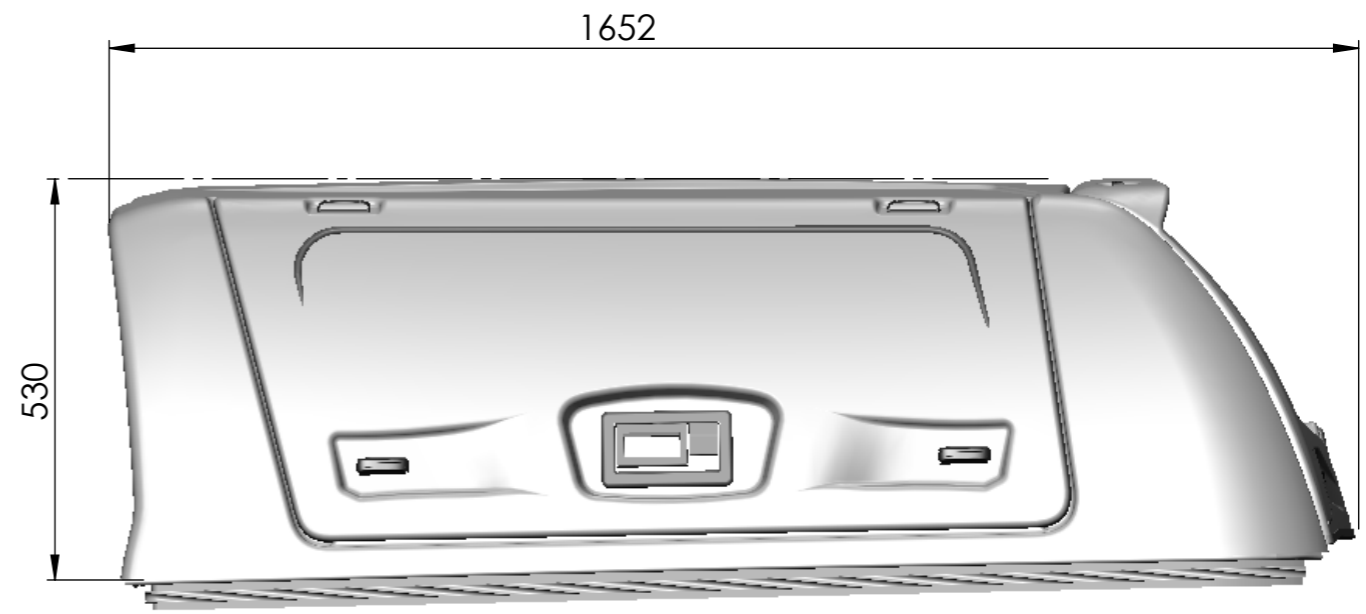
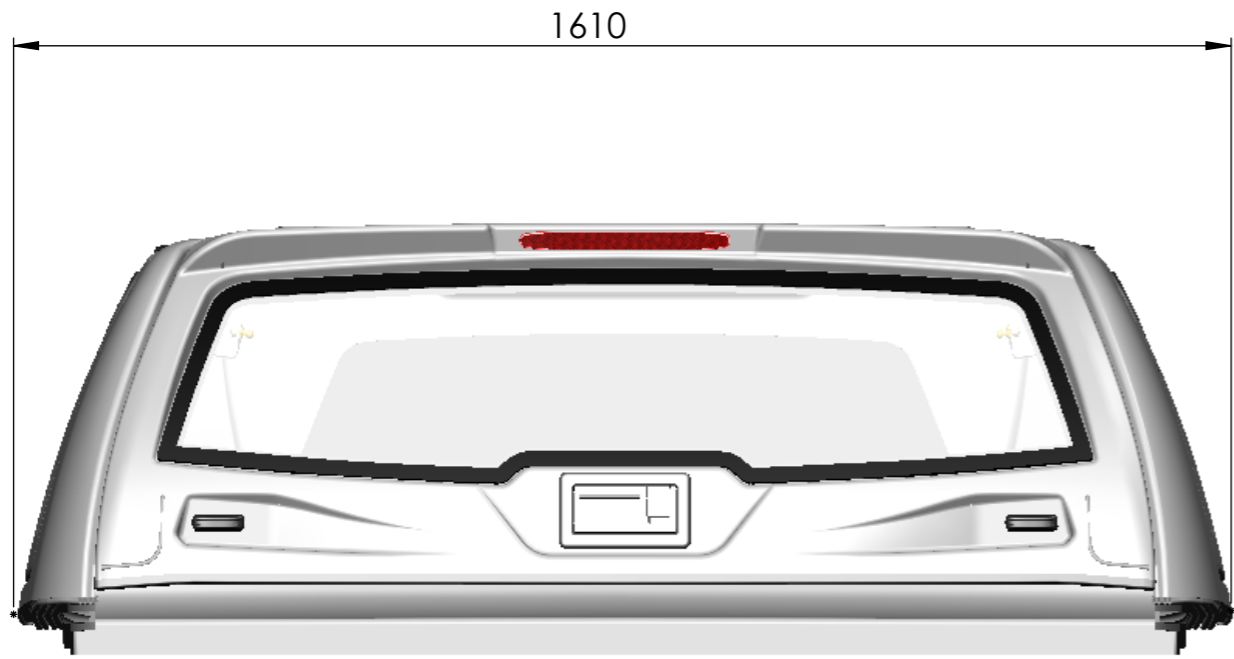


This drawing is the property of PLB Vindic AB. It is strictly confidential and must not be copied, traced or loaned without permission. Any infringement of these conditions will lead to the institution of legal procedures



| | | | | |
|--------------|--------------------------|--|---------------------------------|-------------|
| | General tolerances: | ISO 2768-1m | Material: | Scale: 1:10 |
| | | | | Mass: kg |
| Designed by: | S. Ennemuist | Title/Name: NP3DC-0055,-1155 measurements | | |
| Checked by: | S. Ennemuist | | | |
| Date: | 12.02.2016 | Sheet: 1/1 | Drawing number: NP3DC-1155 M | |
| Owner: | PLB Vindic AB Sweden | | | |