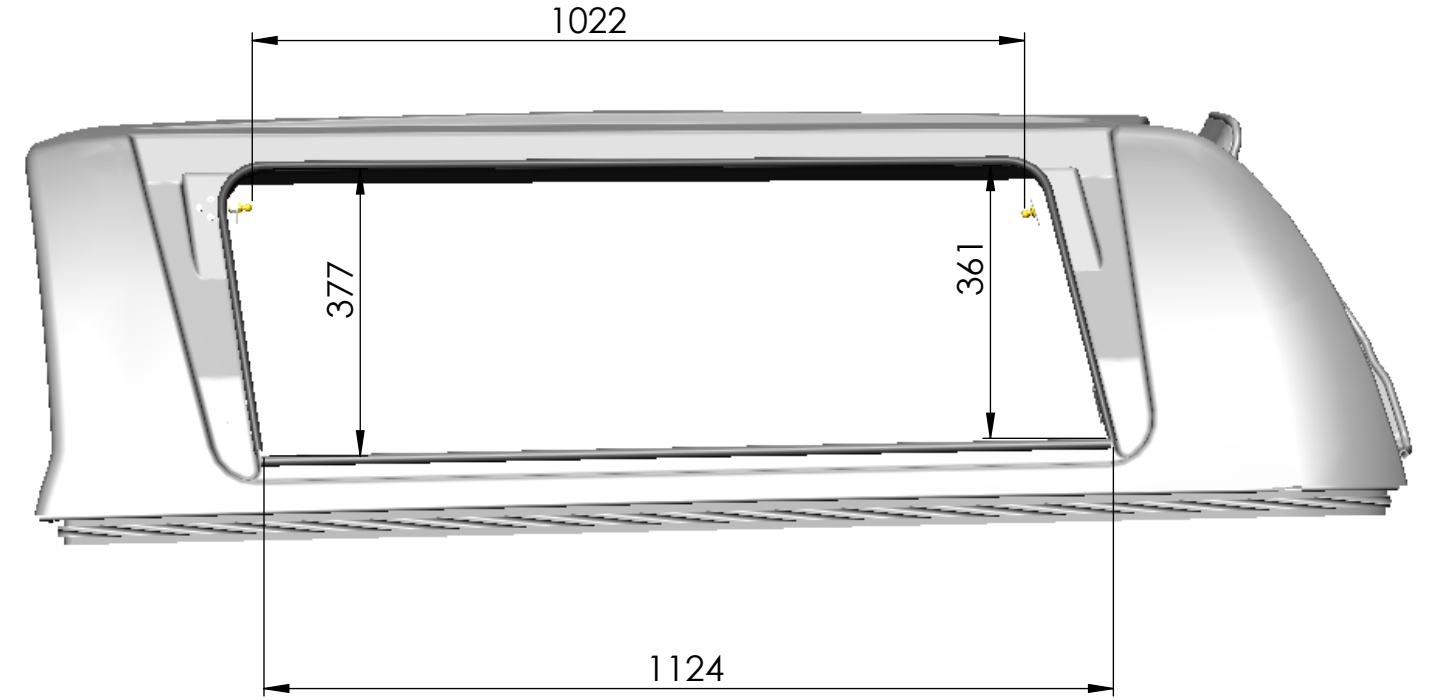
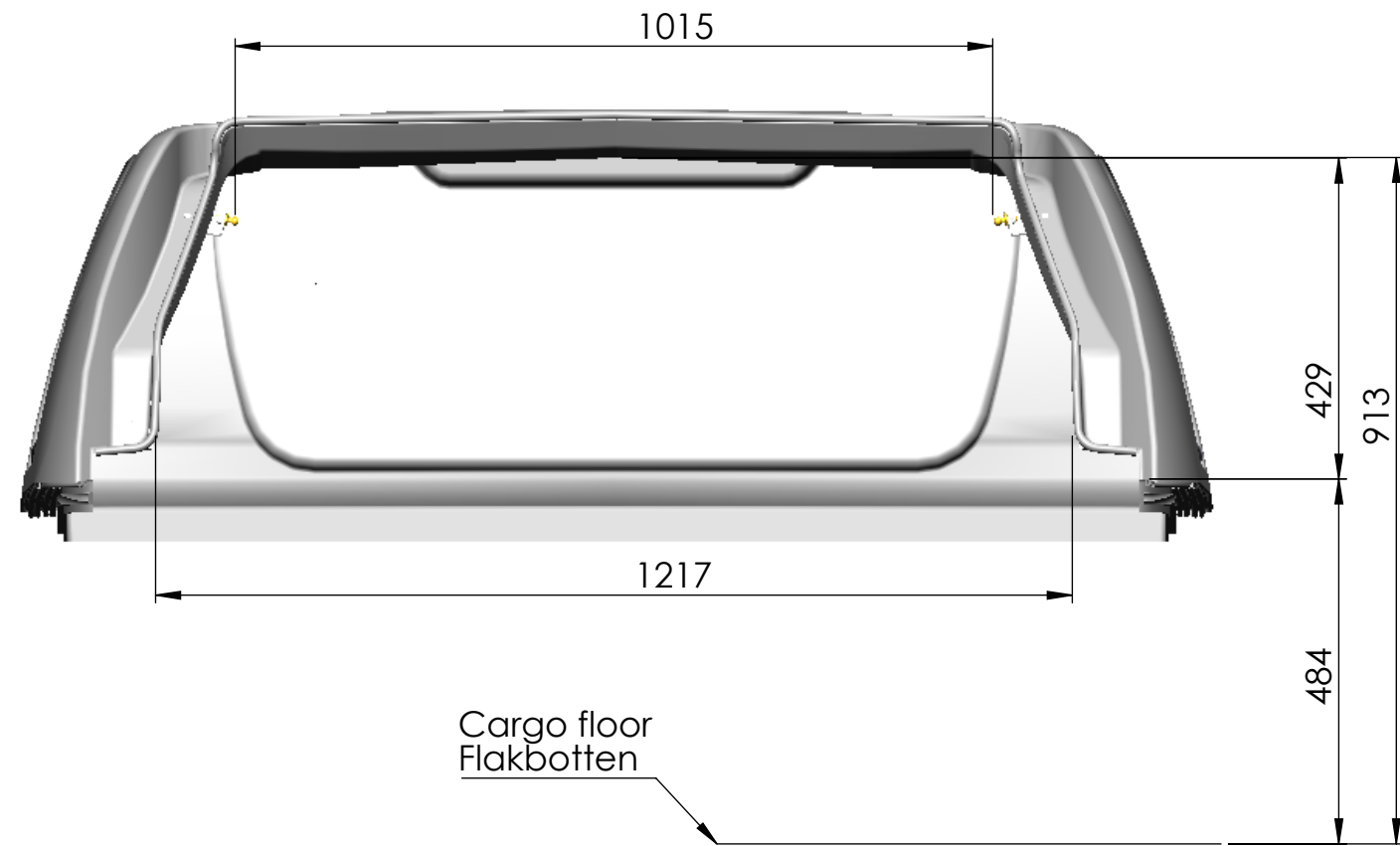
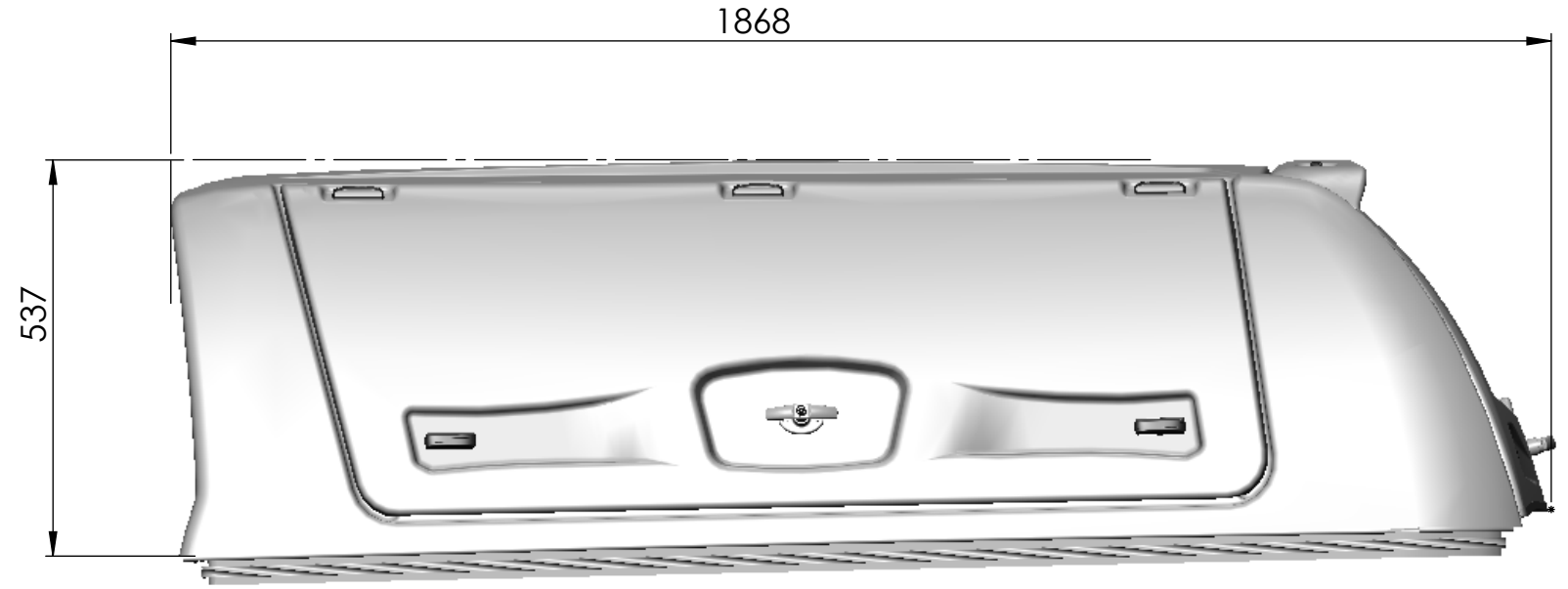
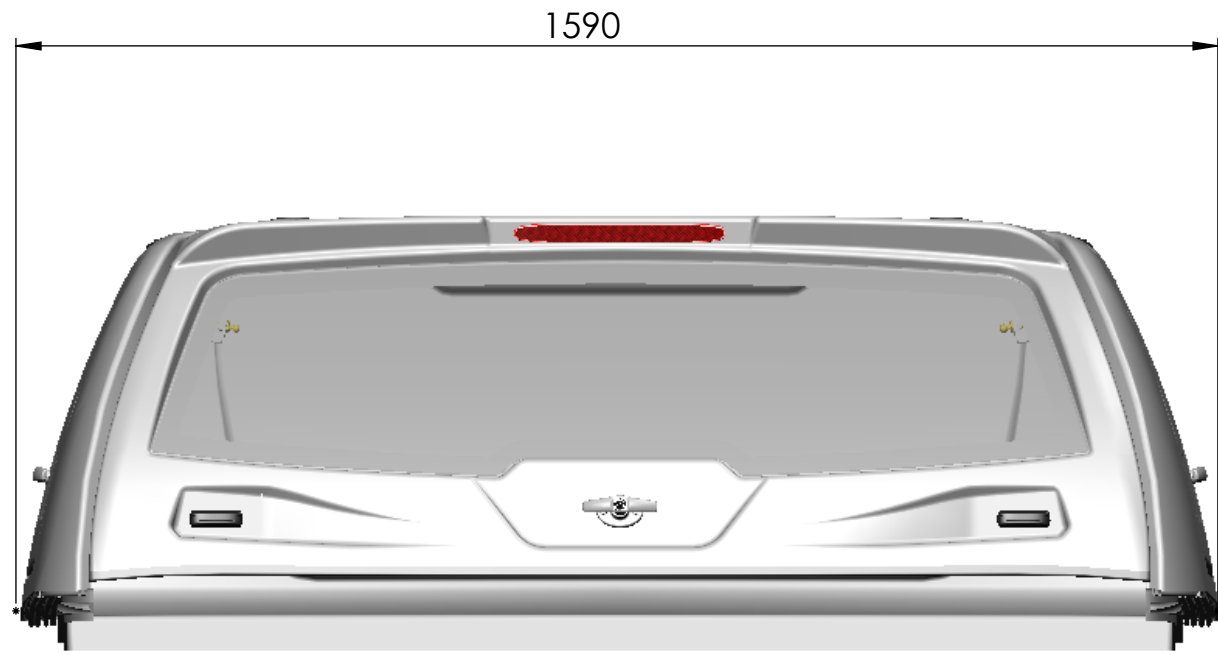


This drawing is the property of PLB Vindic AB. It is strictly confidential and must not be copied, traced or loaned without permission. Any infringement of these conditions will lead to the institution of legal procedures



	General tolerances:	ISO 2768-1m	Date:	17.06.2016	Scale:	1:10
	Designed by:	S. Ennemuist	Title/Name: NP3K-0055;-1155 measurements			
	Checked by:	I. Karus				
Owner:	 PLB Vindic AB Sweden		Sheet: 1/1	Drawing number: NP3K-1155 M		