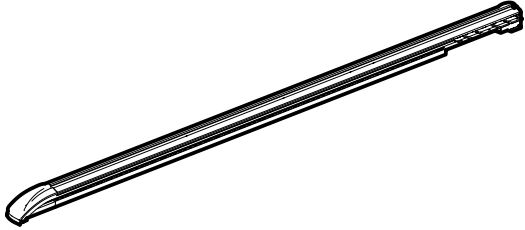
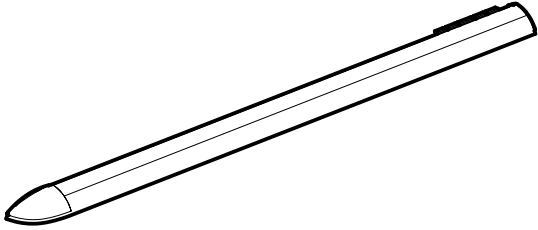
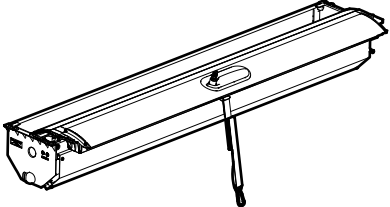
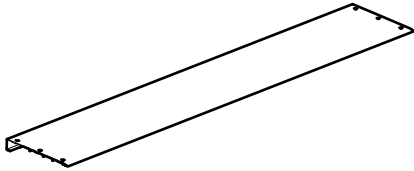
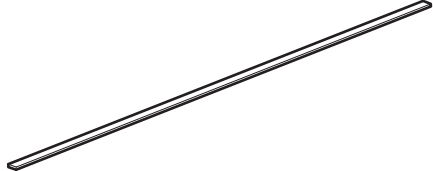



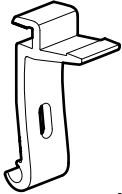
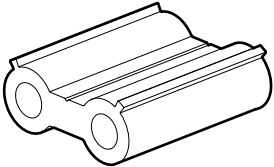
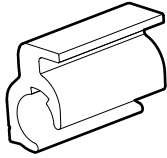
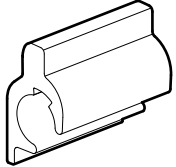
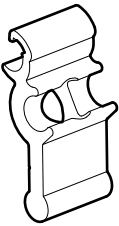
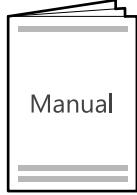

Mountain Top® Roll

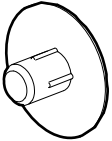

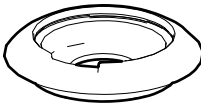
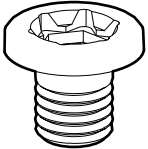
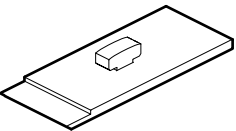

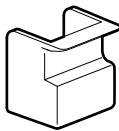
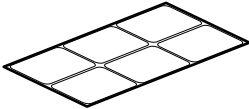
Installation manual



DOWNLOAD PDF

Parts	
A	 x 1
B	 x 1
C	 x 1
D	 x 1
E	 x 1

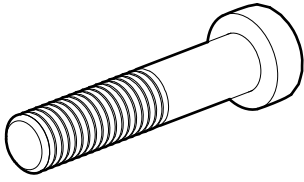
Kit	
F	 x 6
G	 x 6
H	 x 6
I	 x 6
J	 x 6
K	 x 2
L	 x 1
	 x 1

Kit	
M	 x 24
N	 x 6
O	 x 6
P	 x 6
Q	 x 2
R	 x 2
S	 x 1
T	 x 4



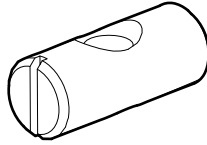
Kit # 824 087

U



x 6

V



x 6

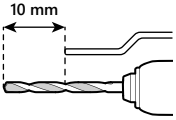
W



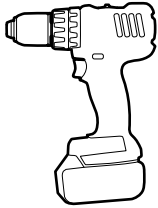
x 6



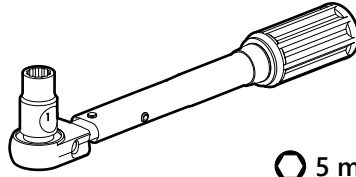
Tools and materials needed



Ø 24 mm



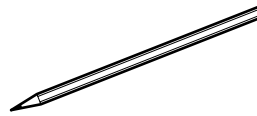
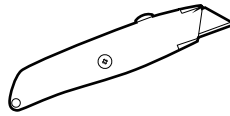
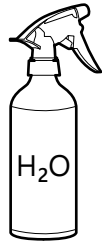
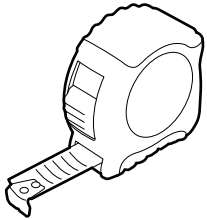
1 - 25 Nm



○ 5 mm
★ T15

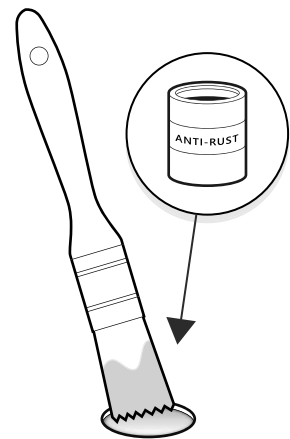
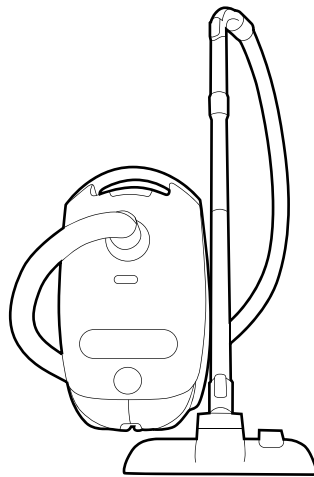
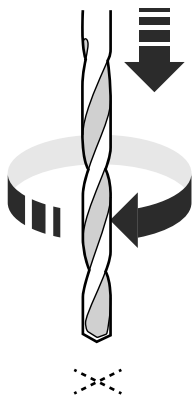


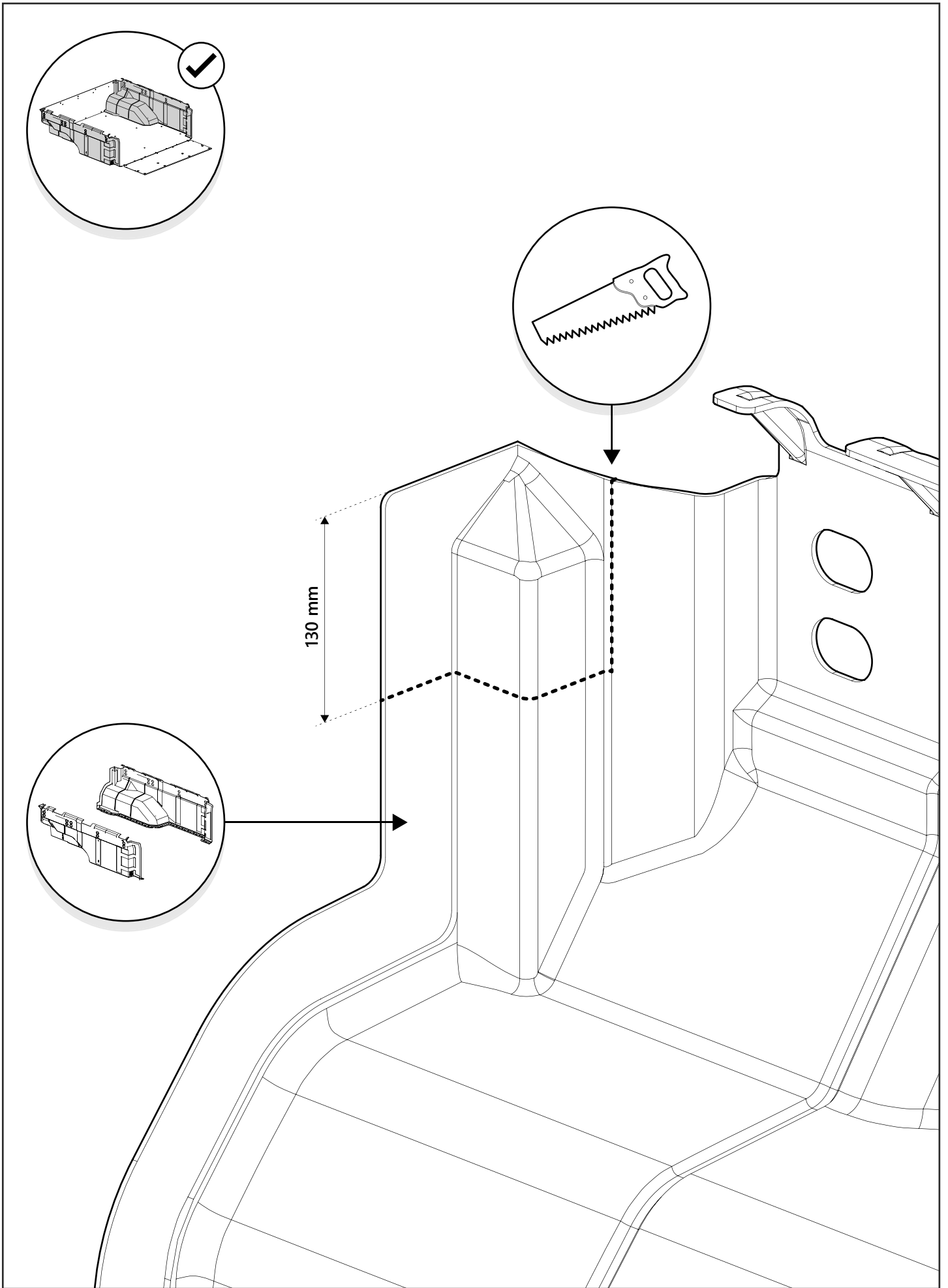
Rust protection
Rostschutzmittel
Anti-rouille
Anti roest

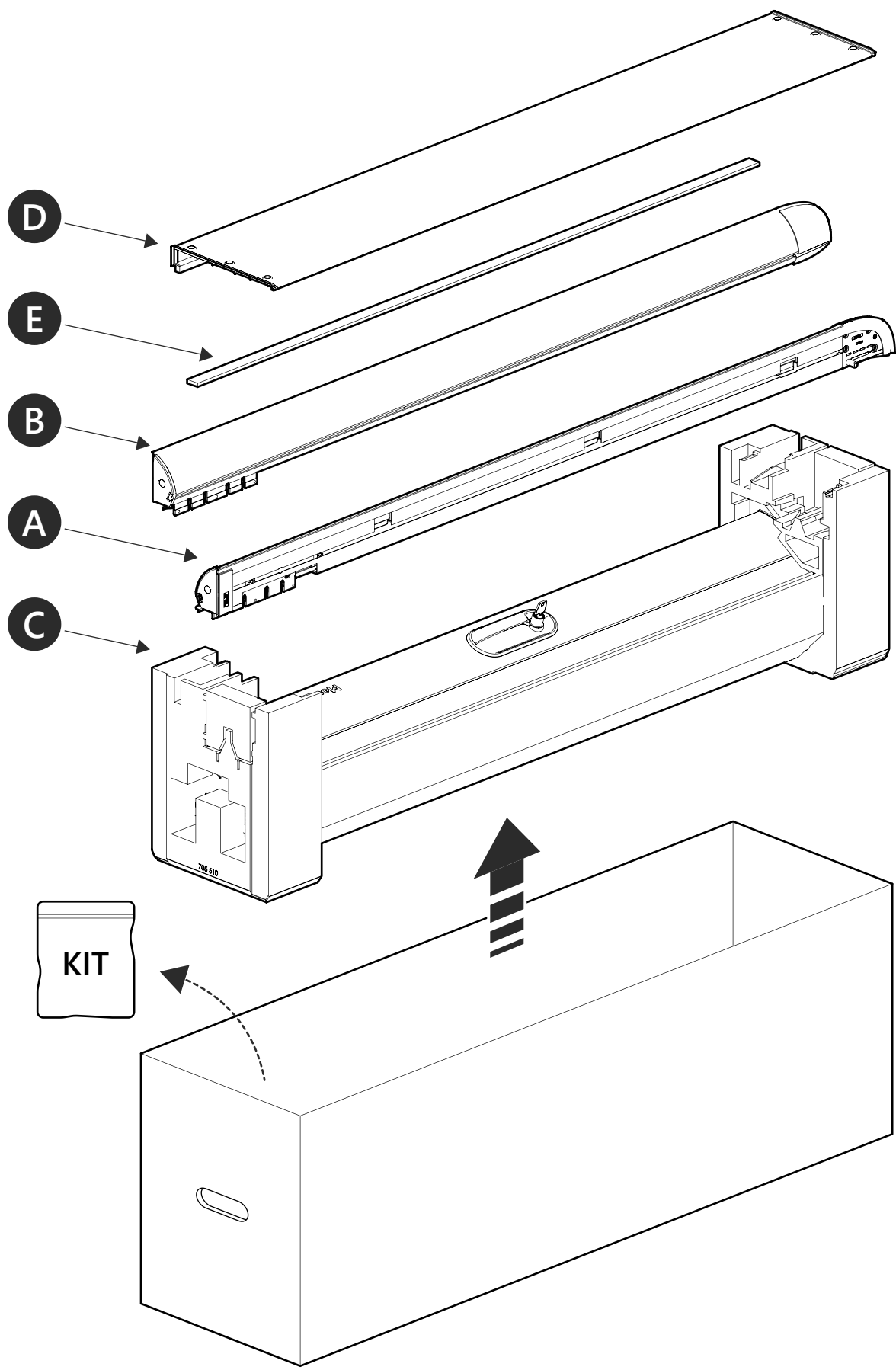


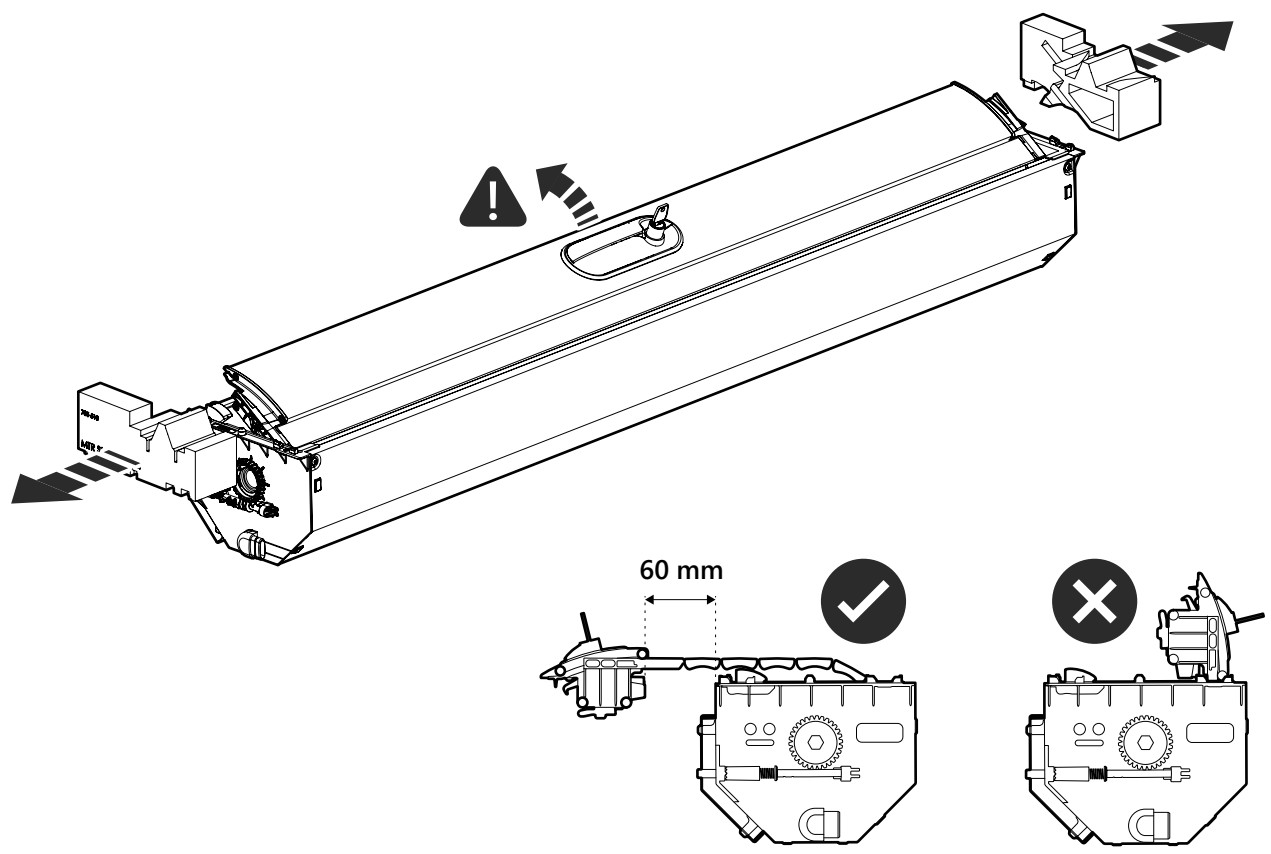
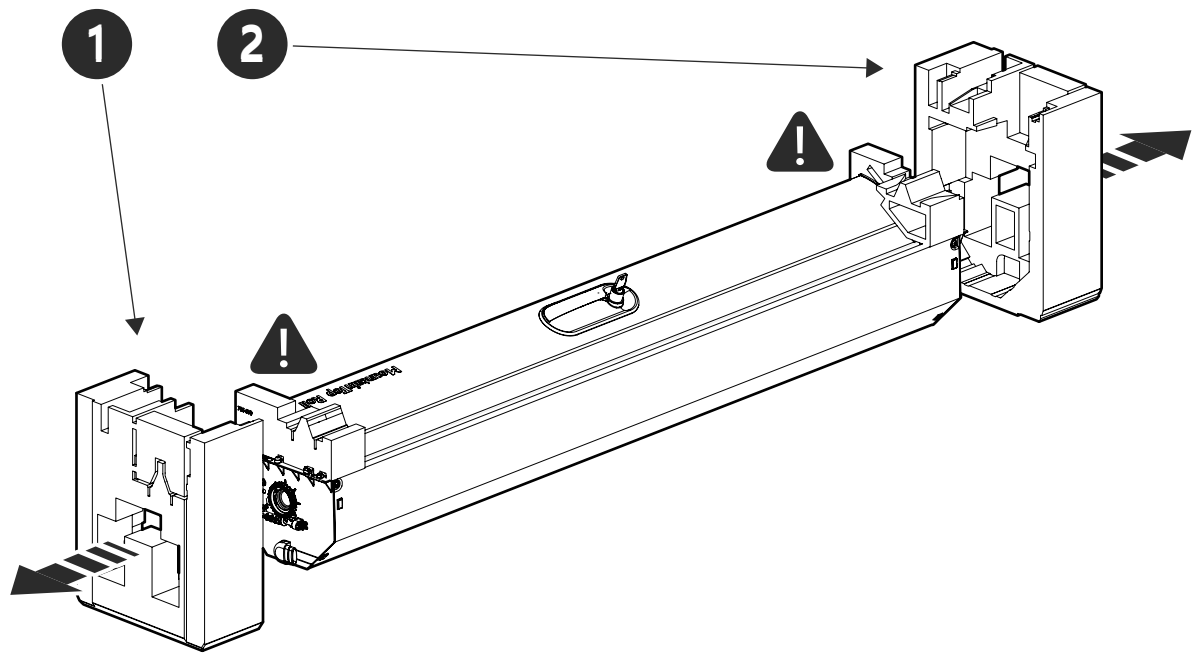
1

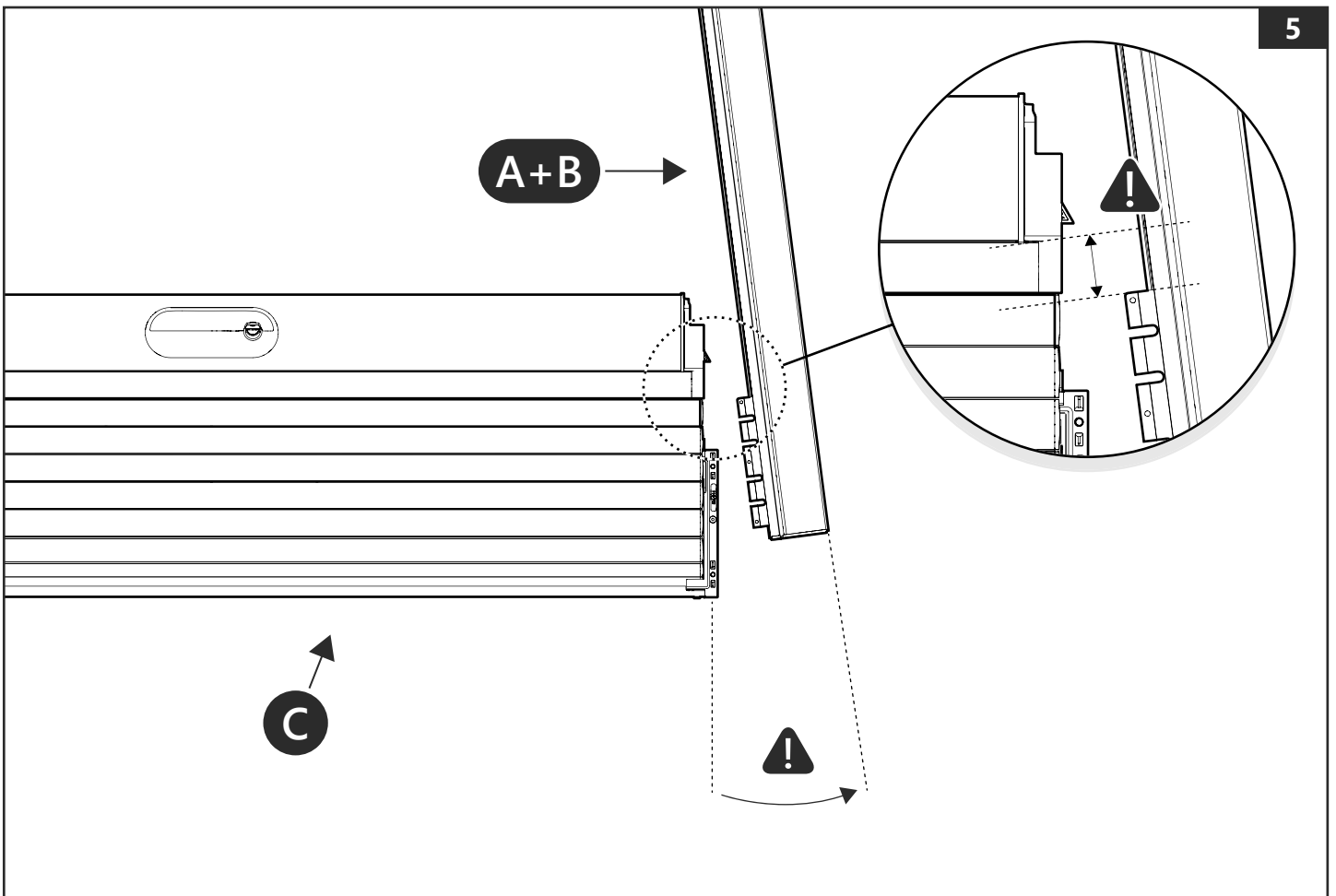
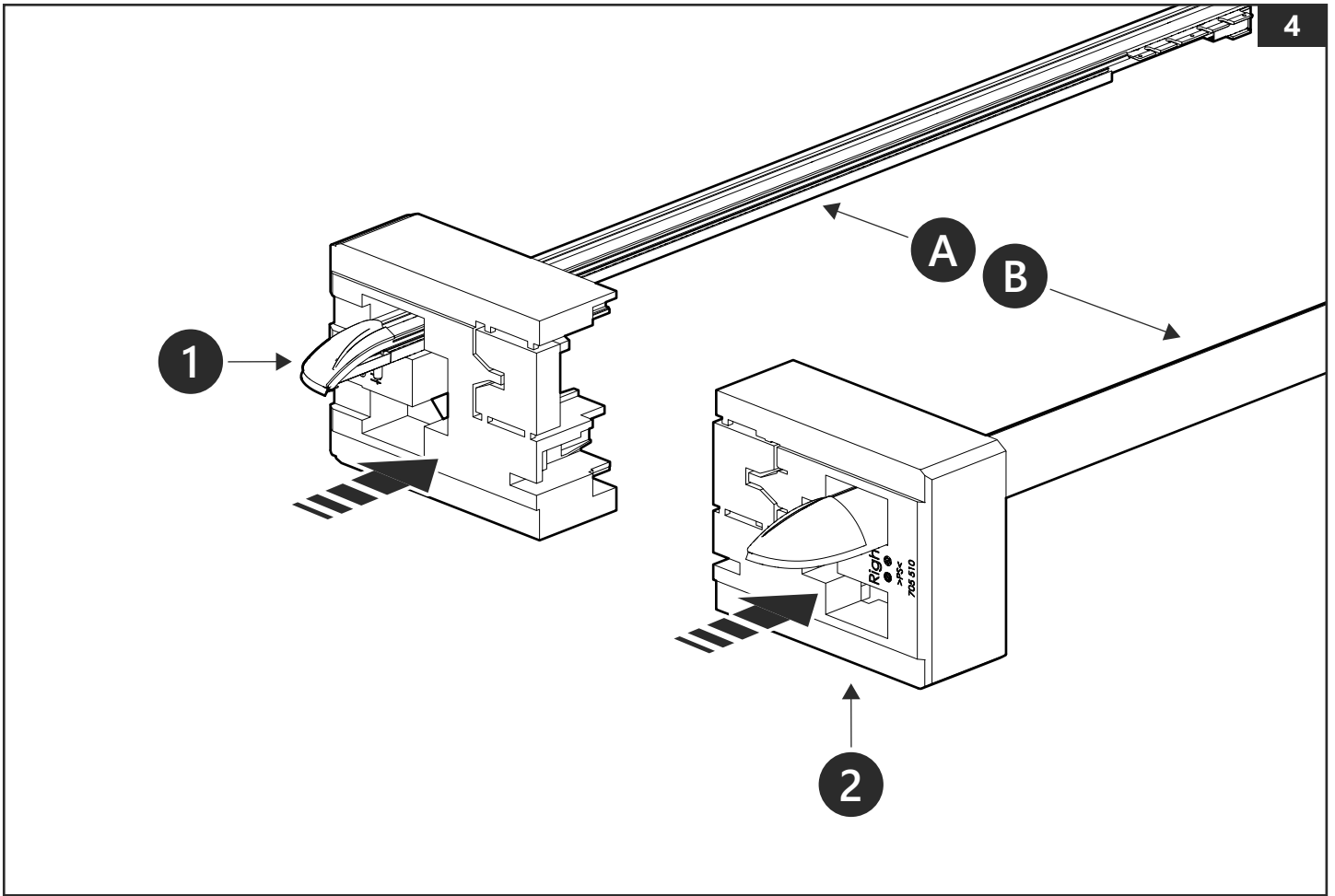
Applying rust protection

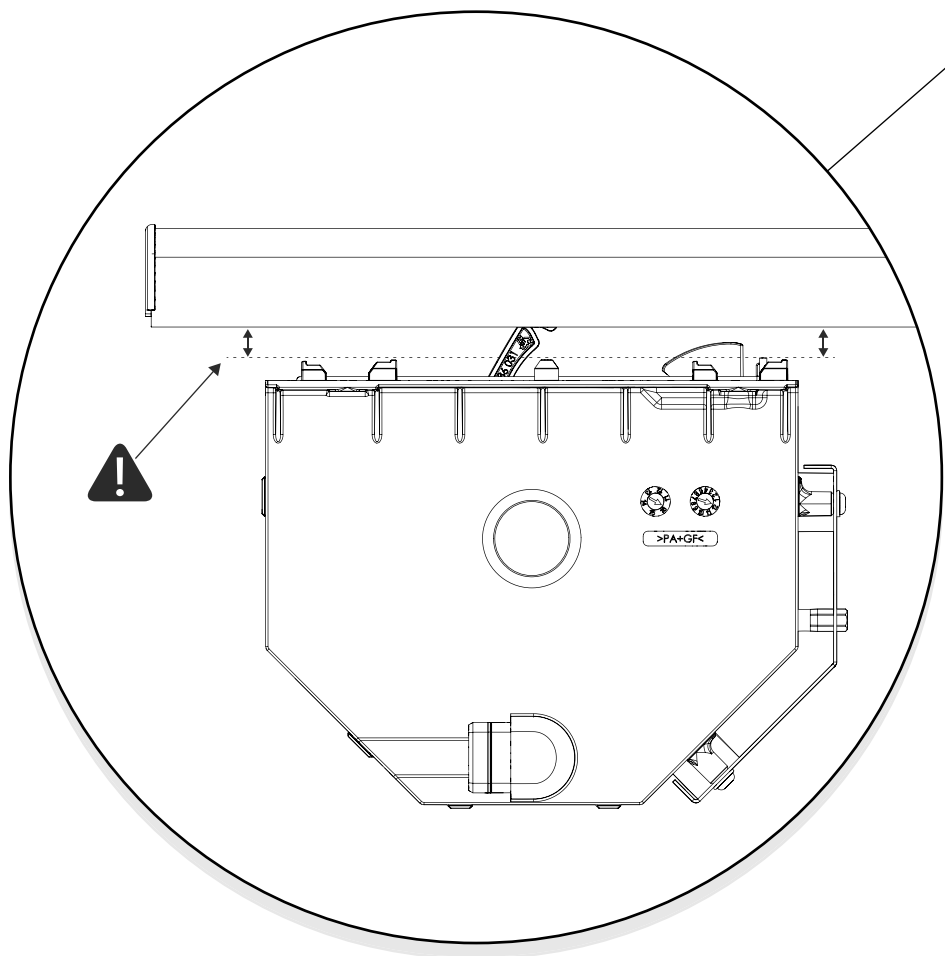
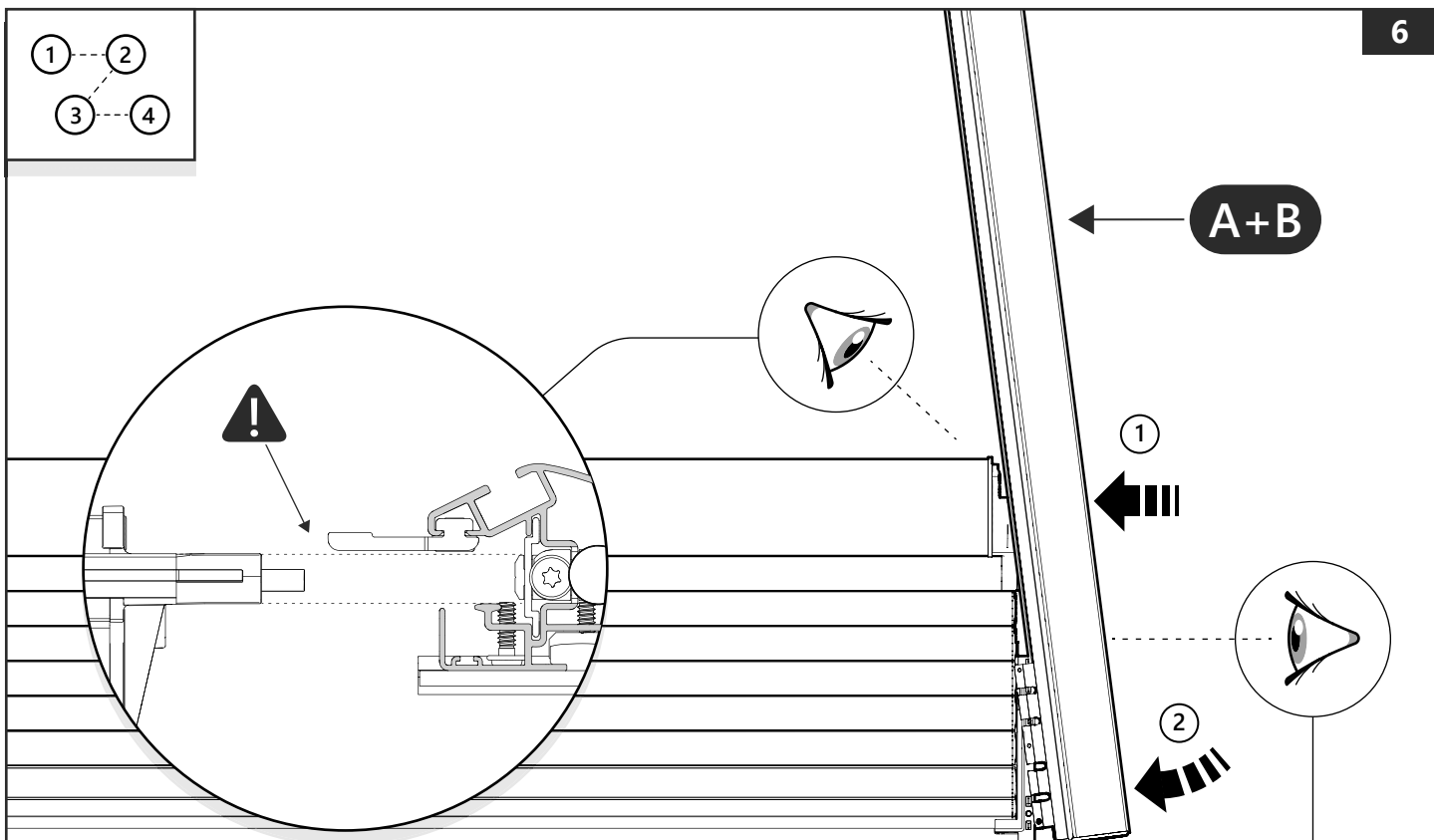
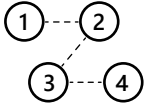


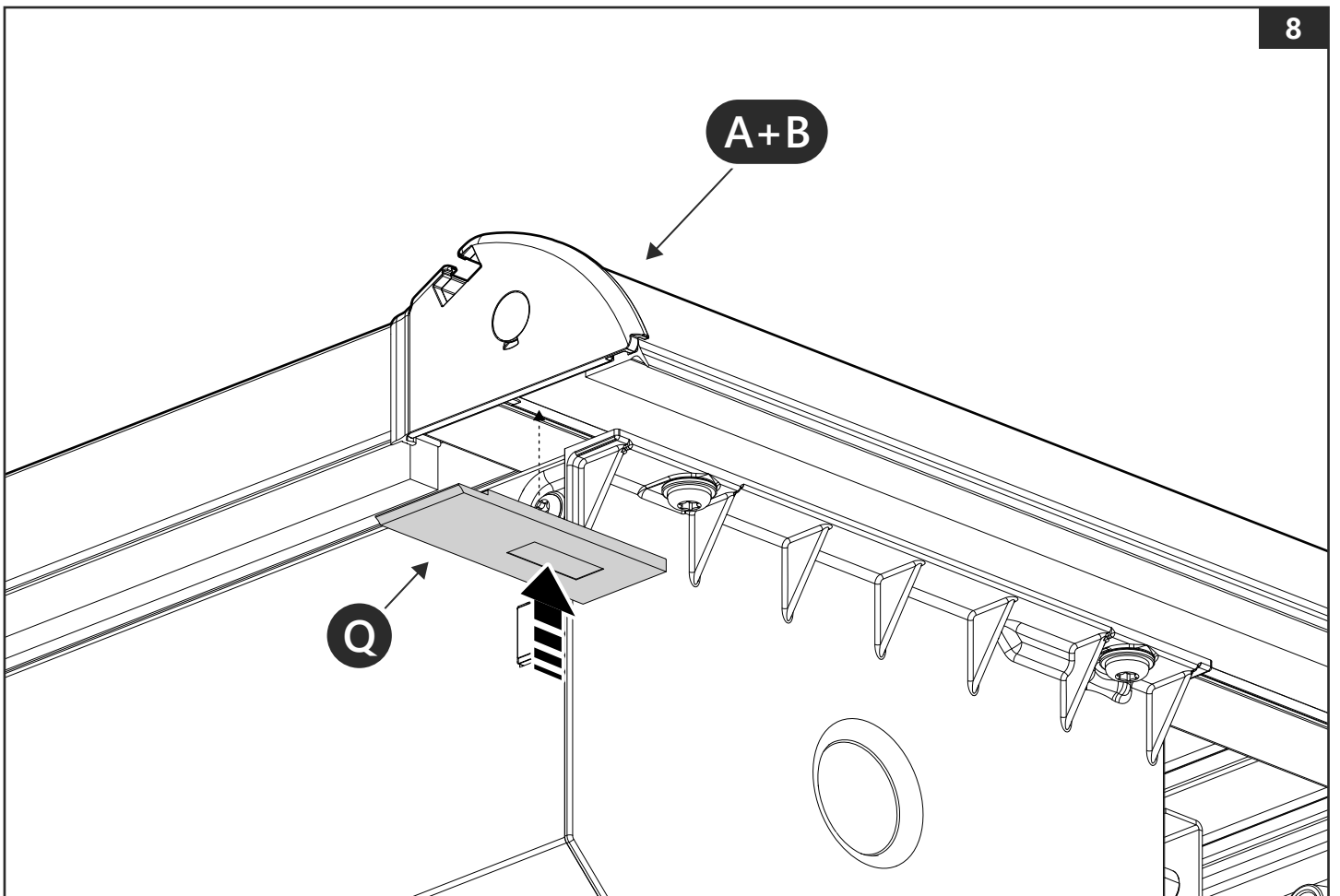
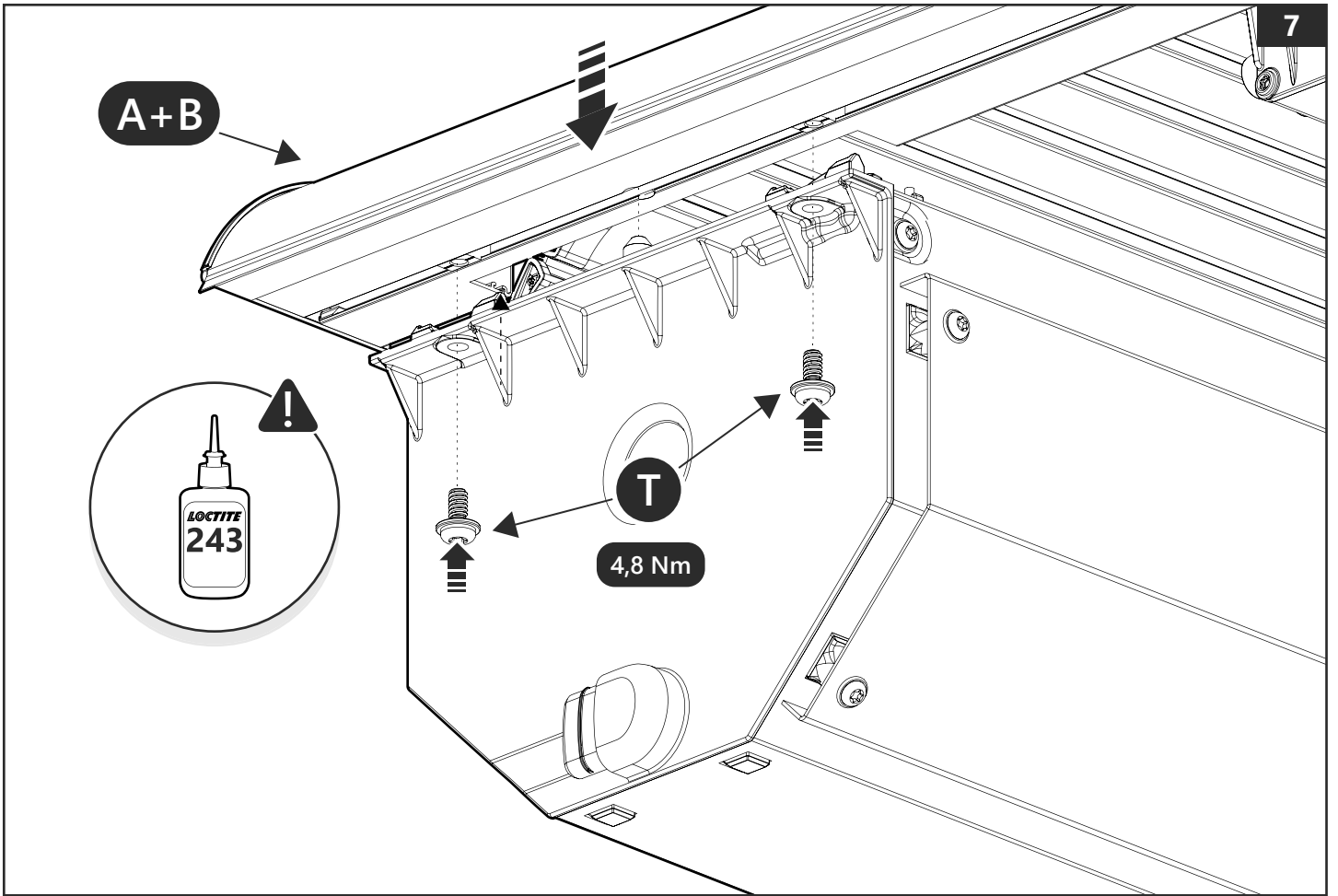


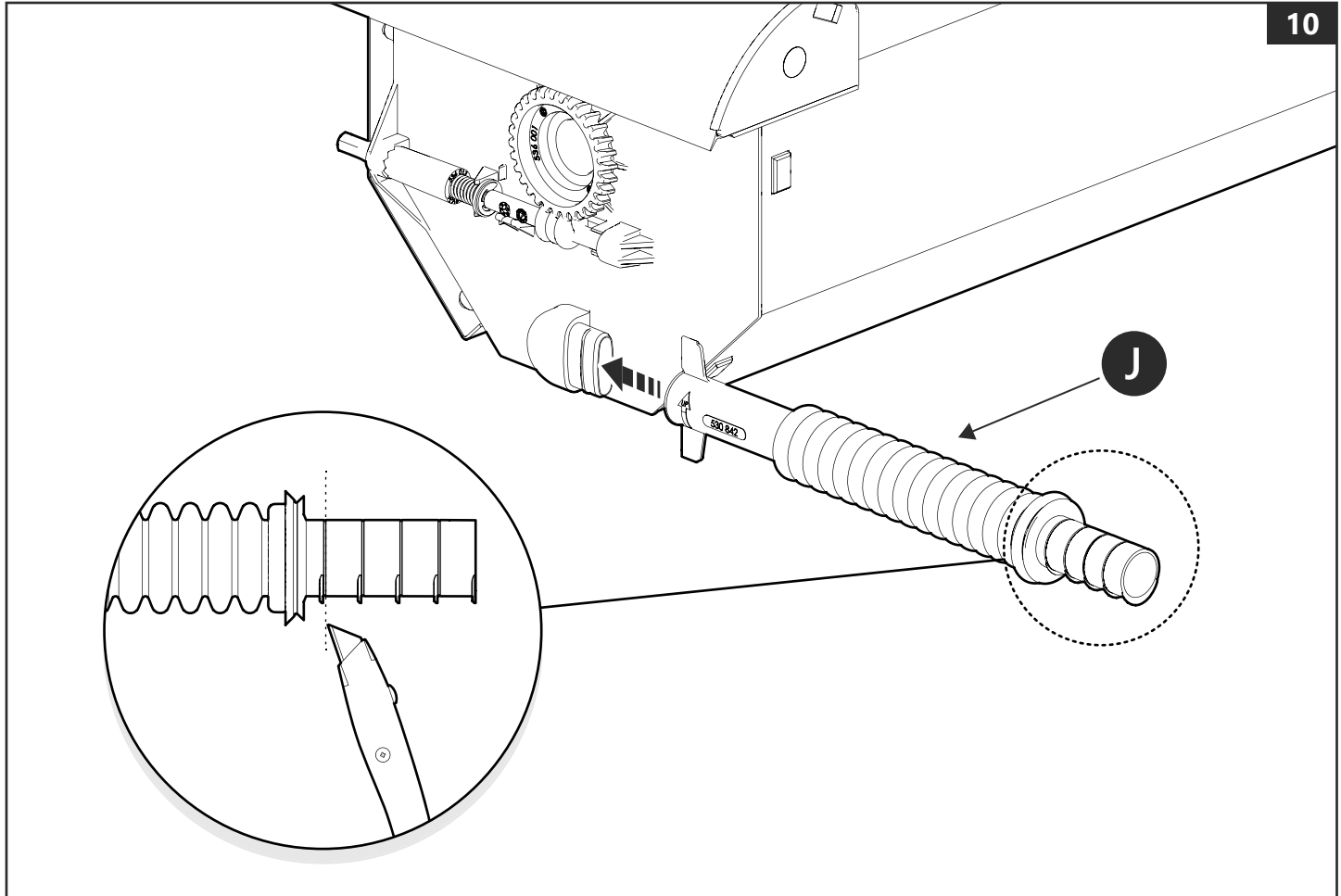
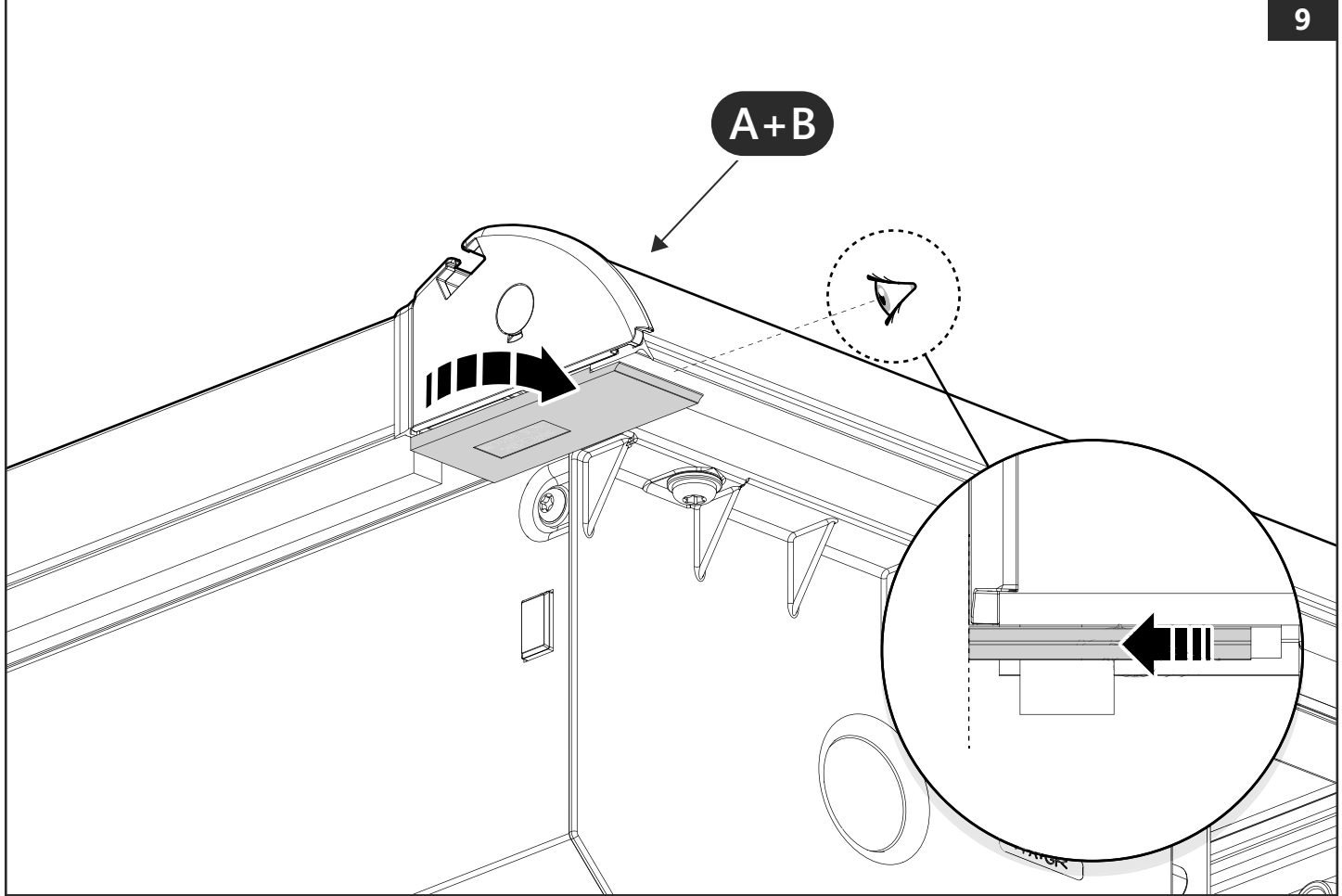


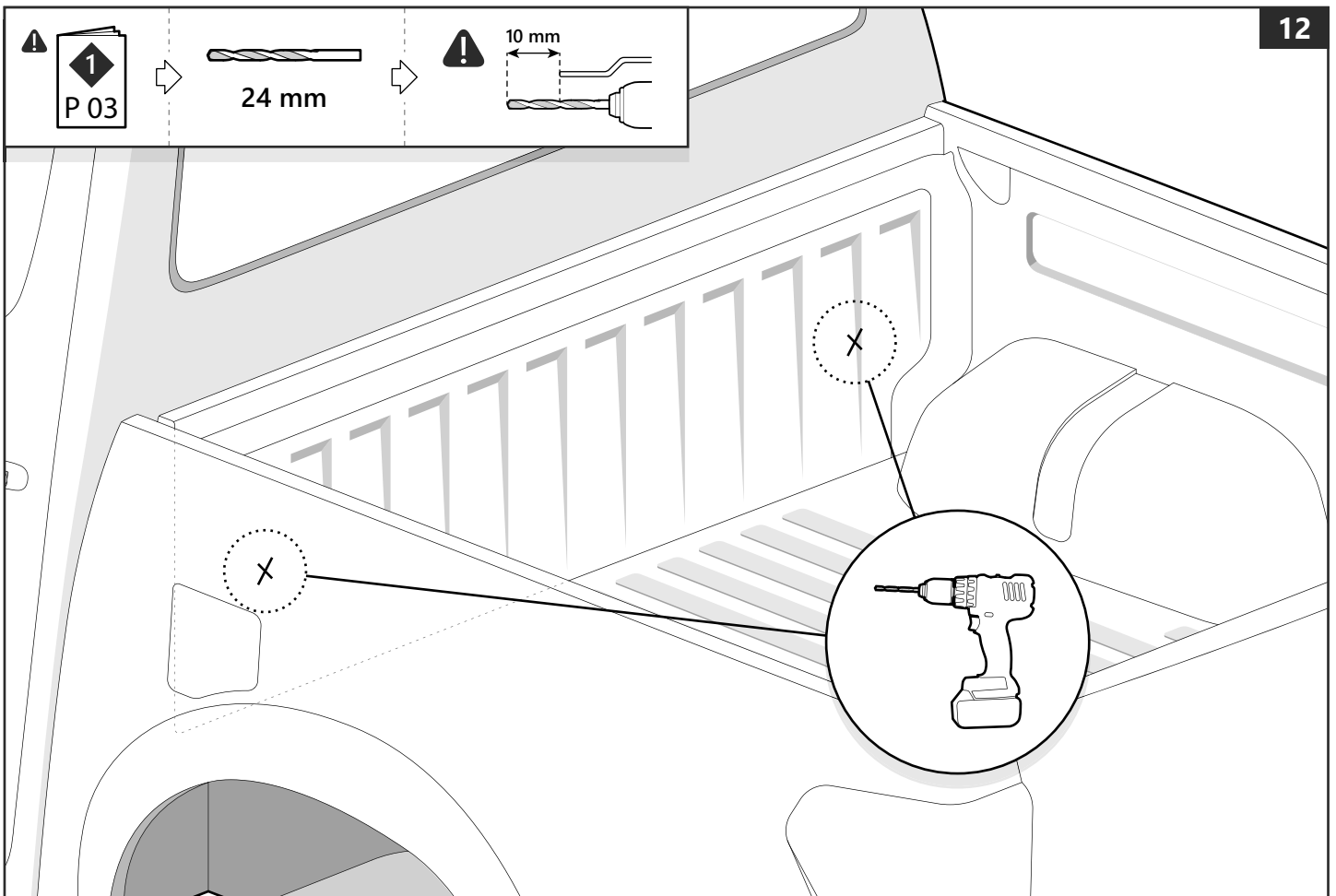
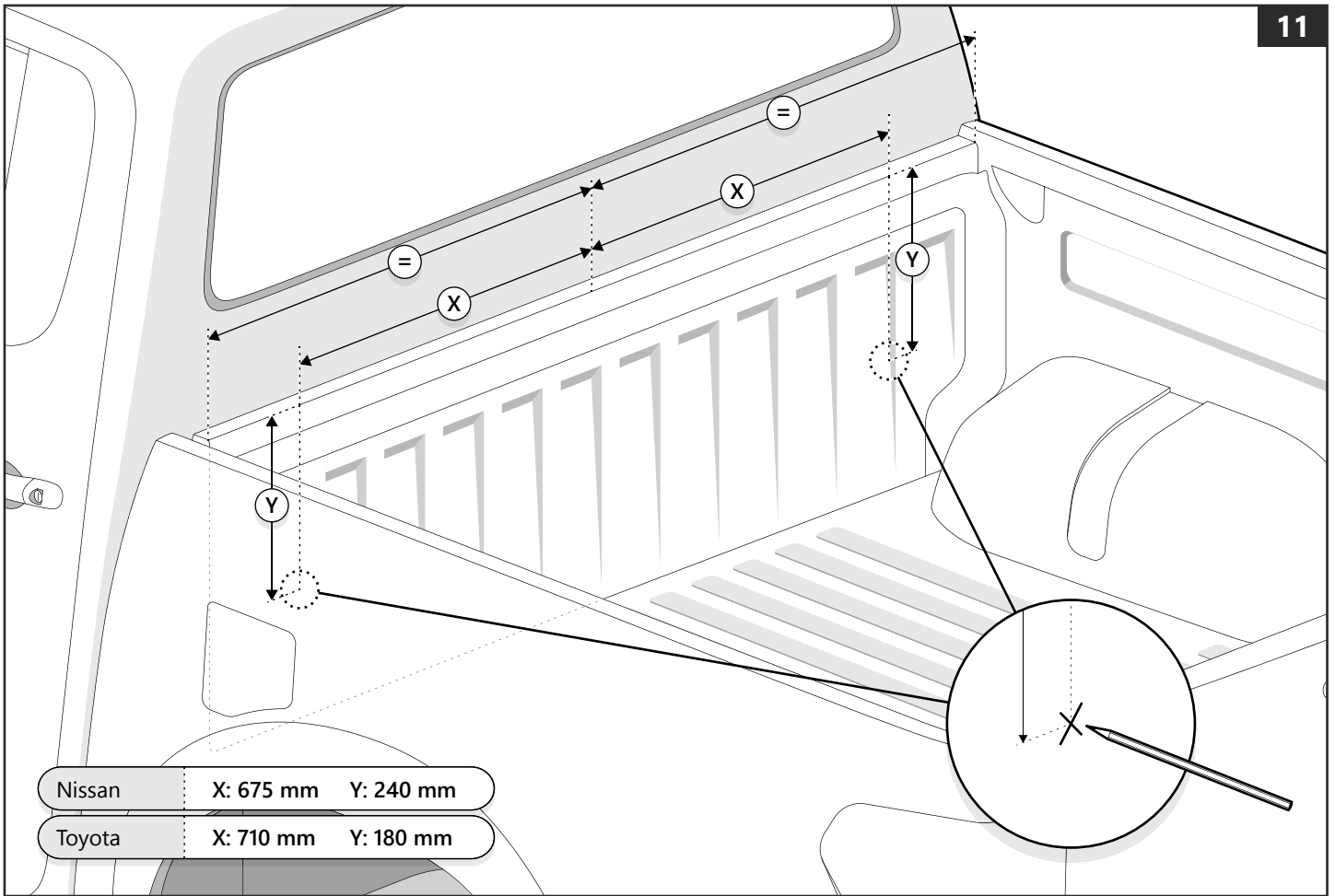


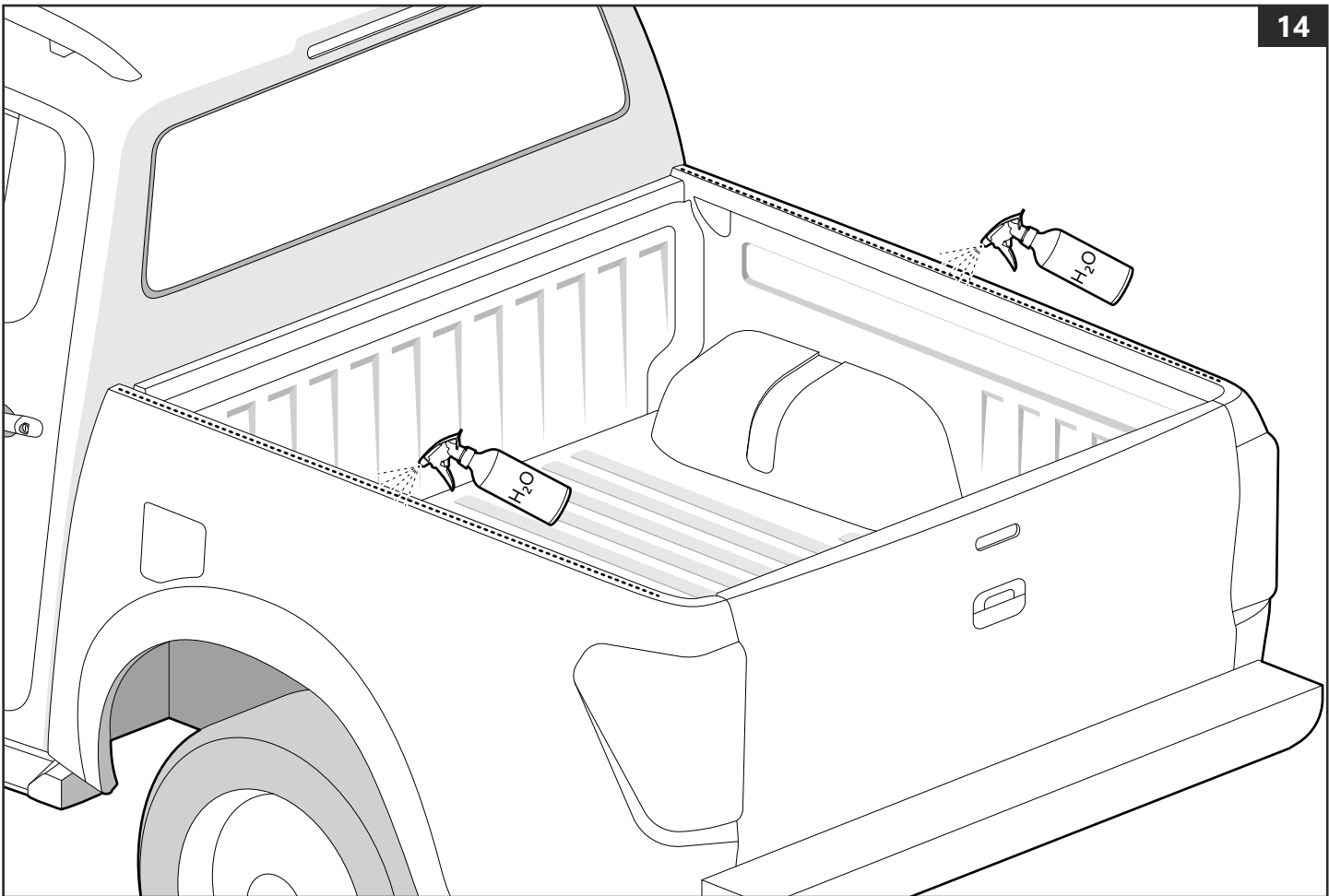
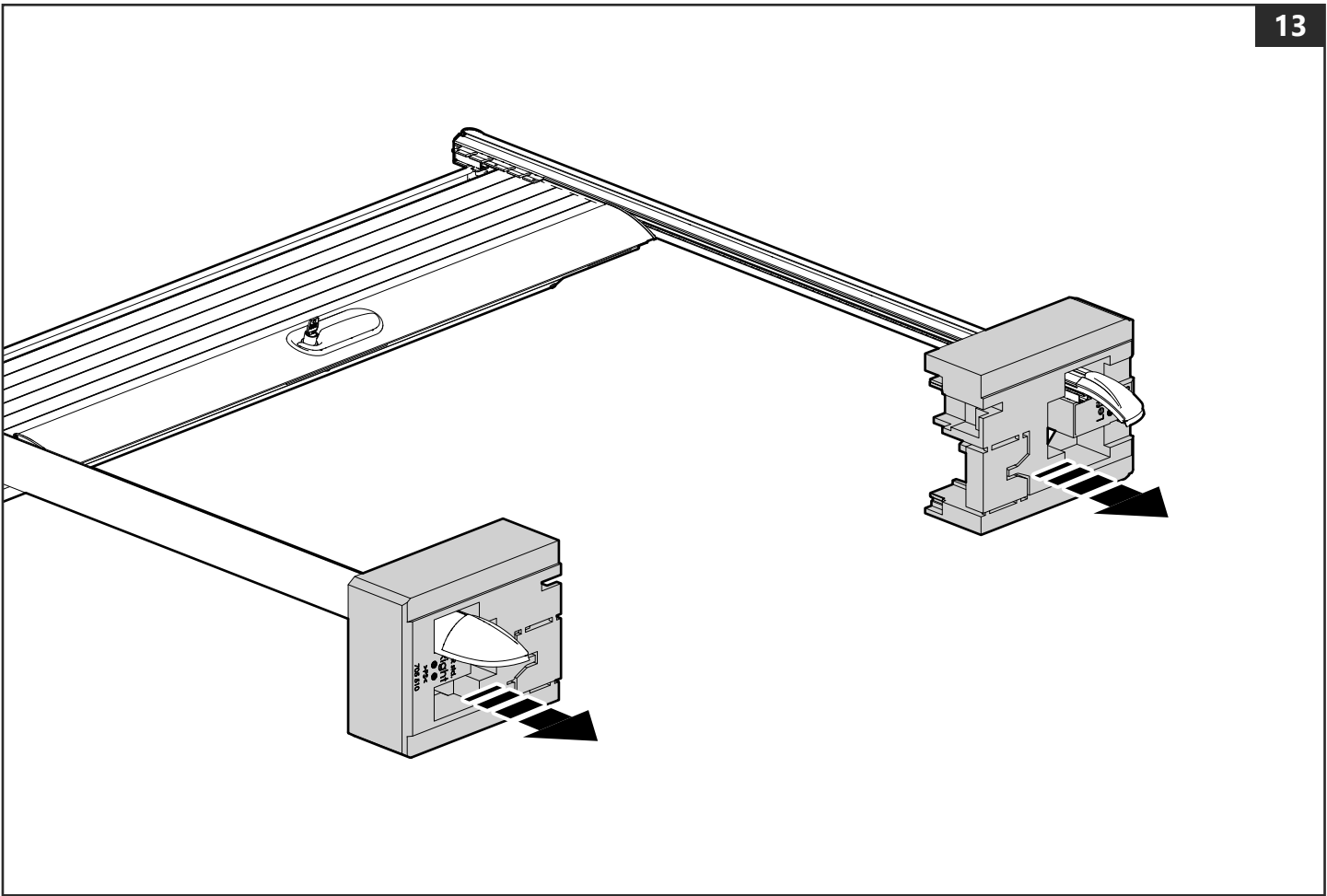


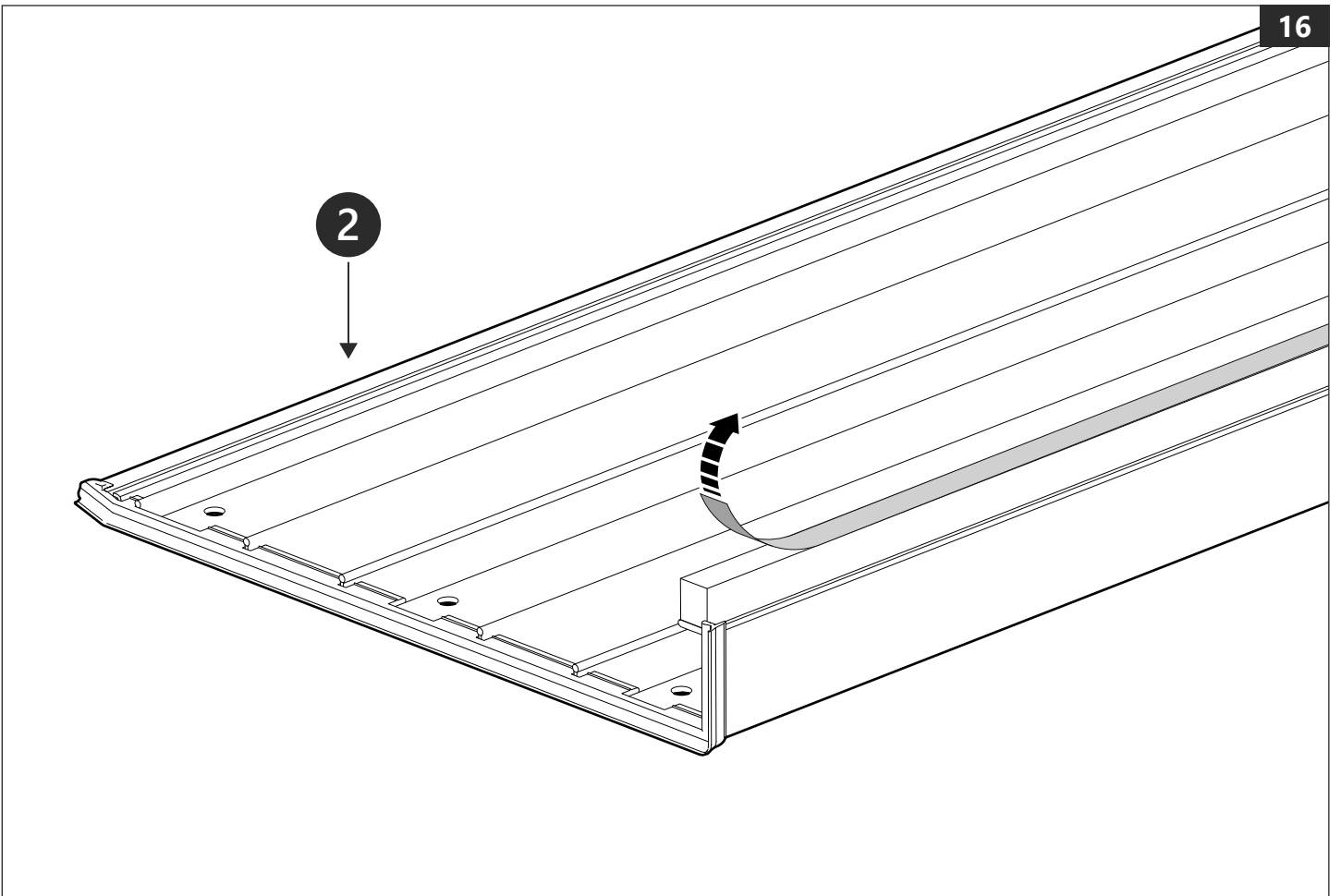
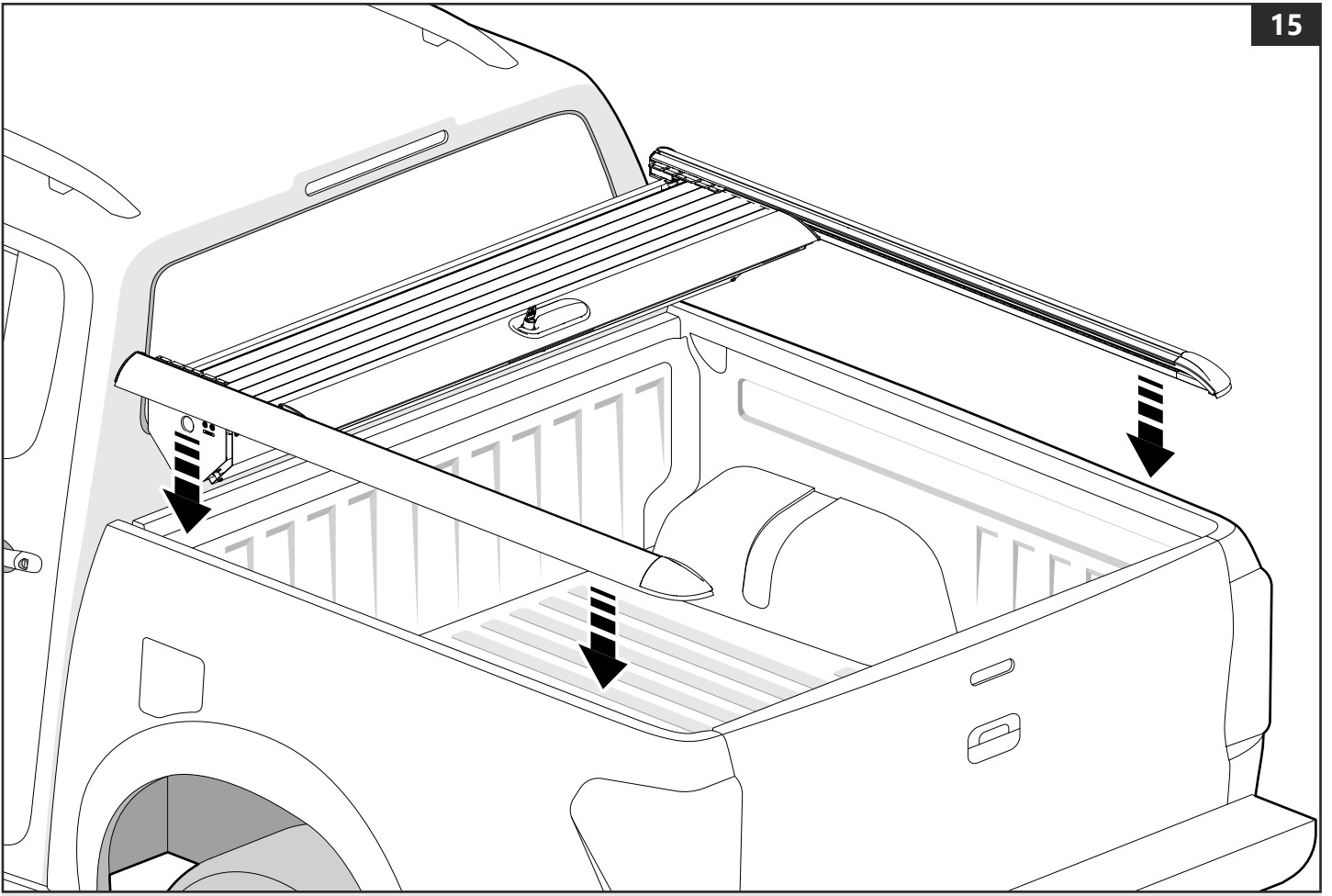


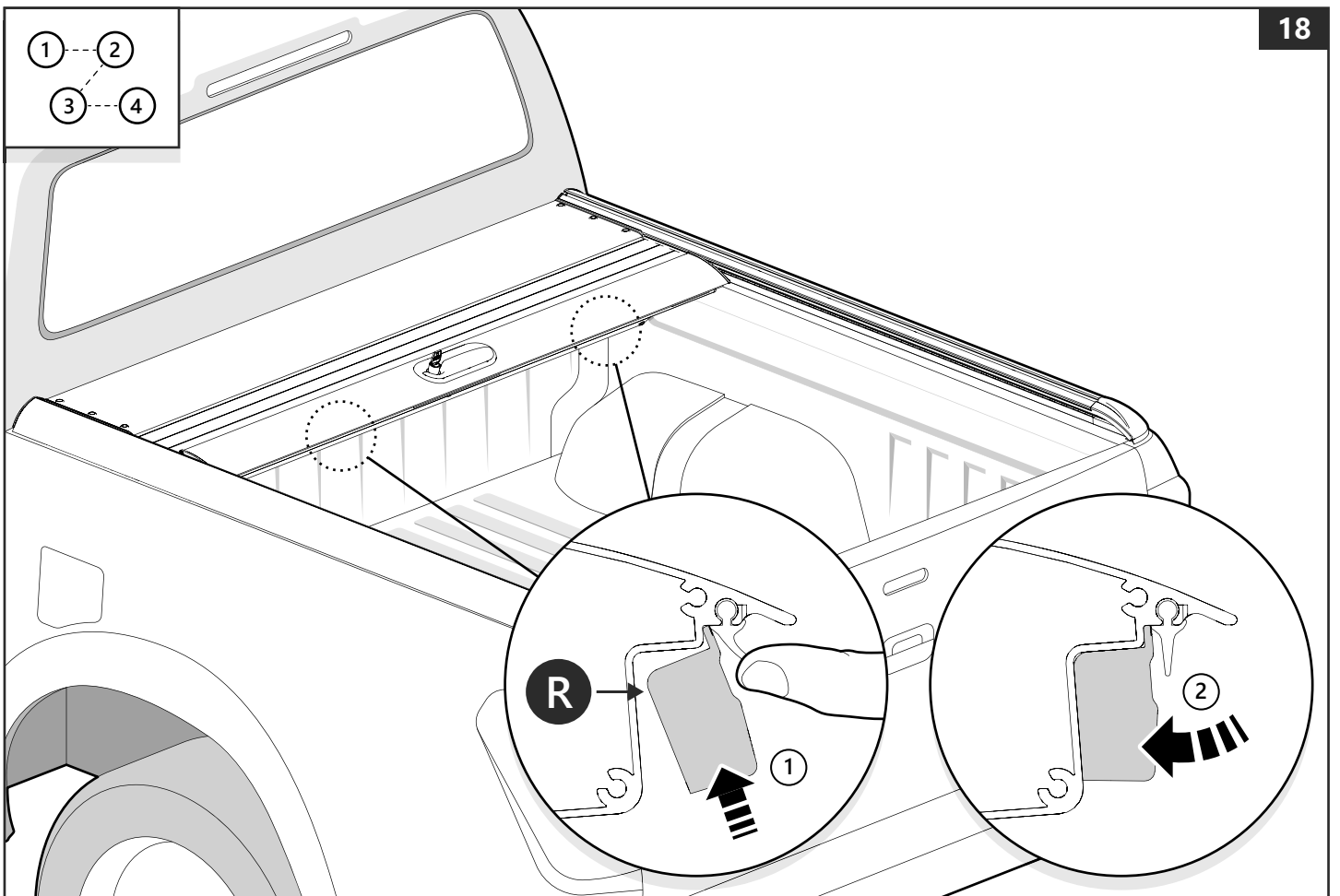
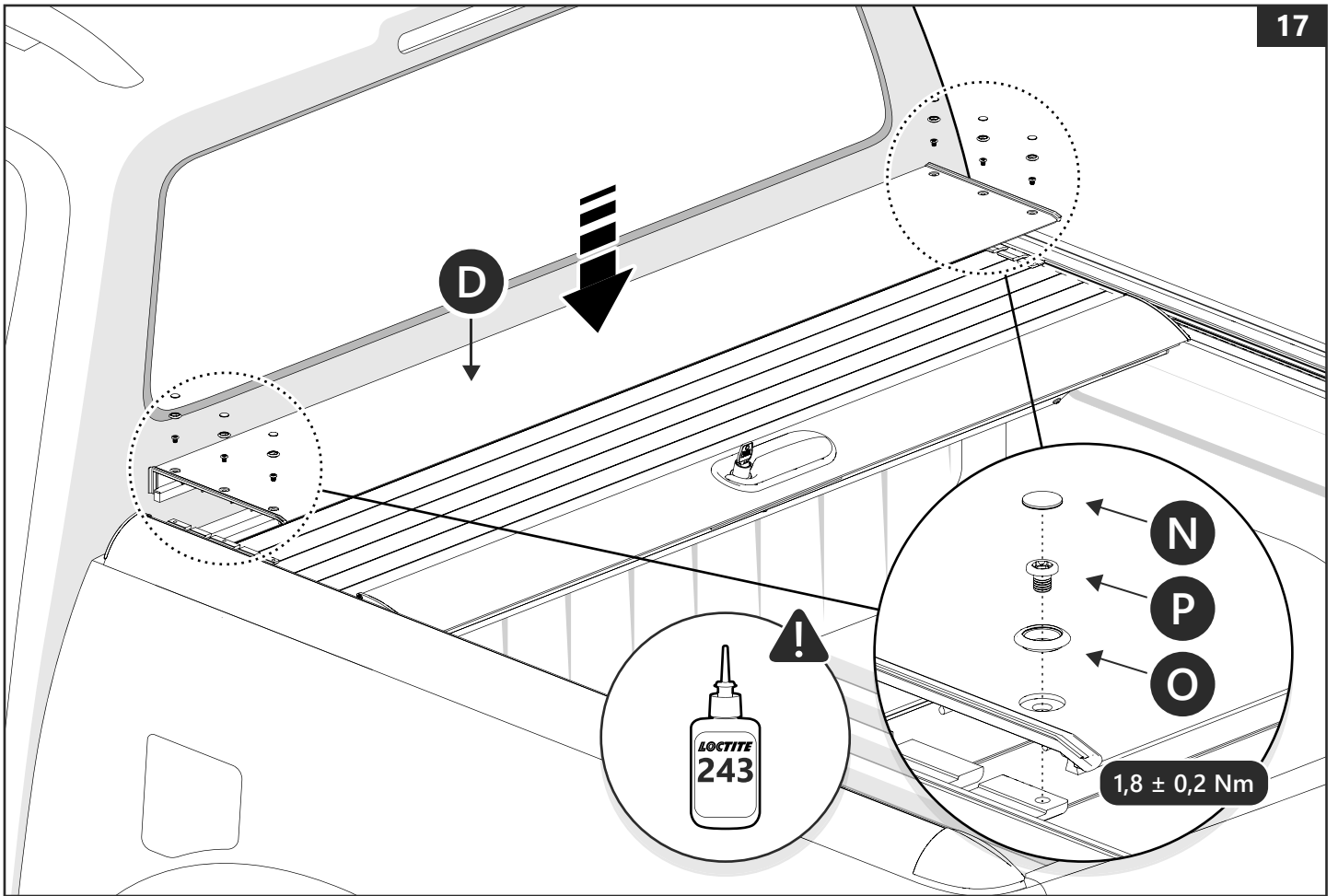


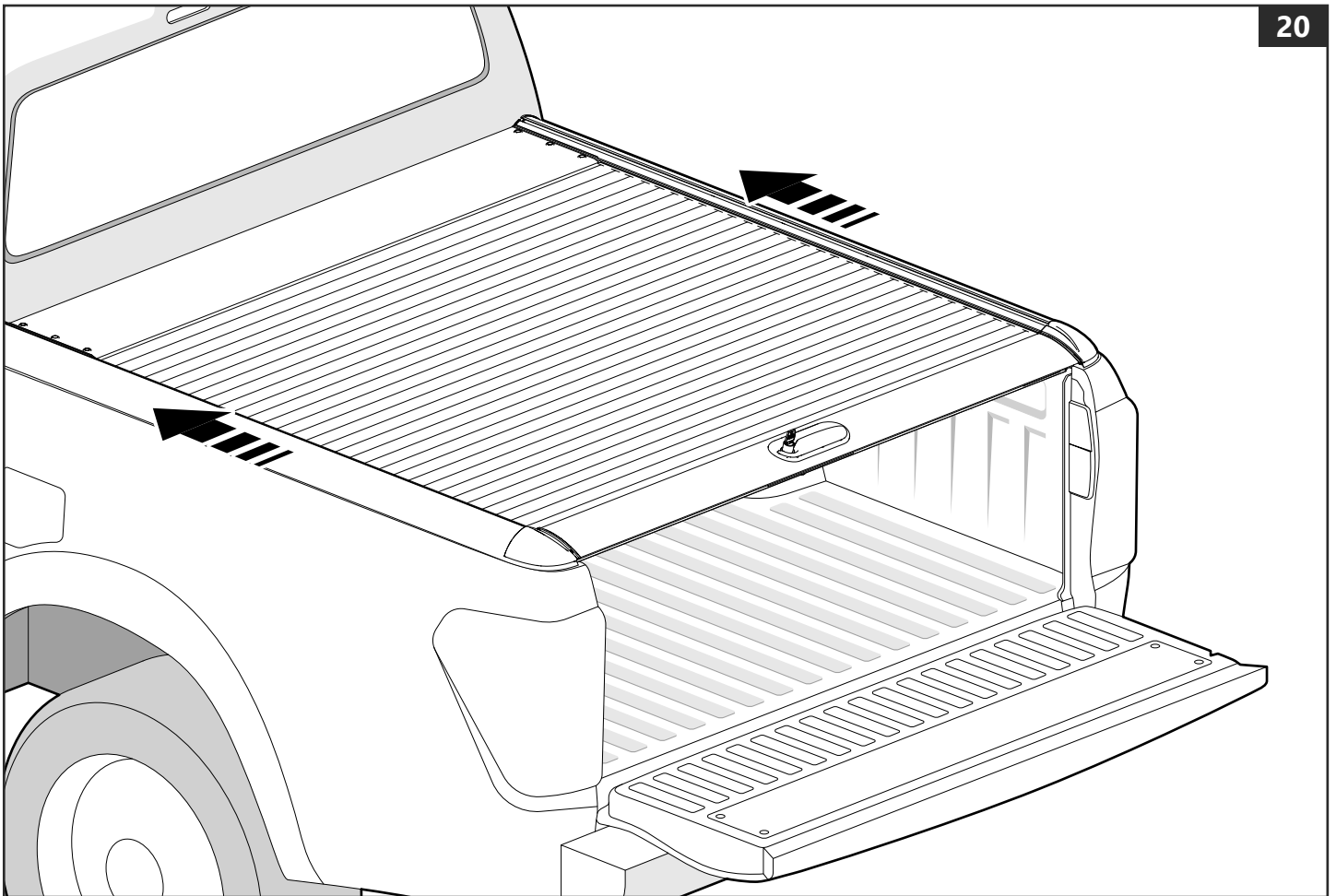
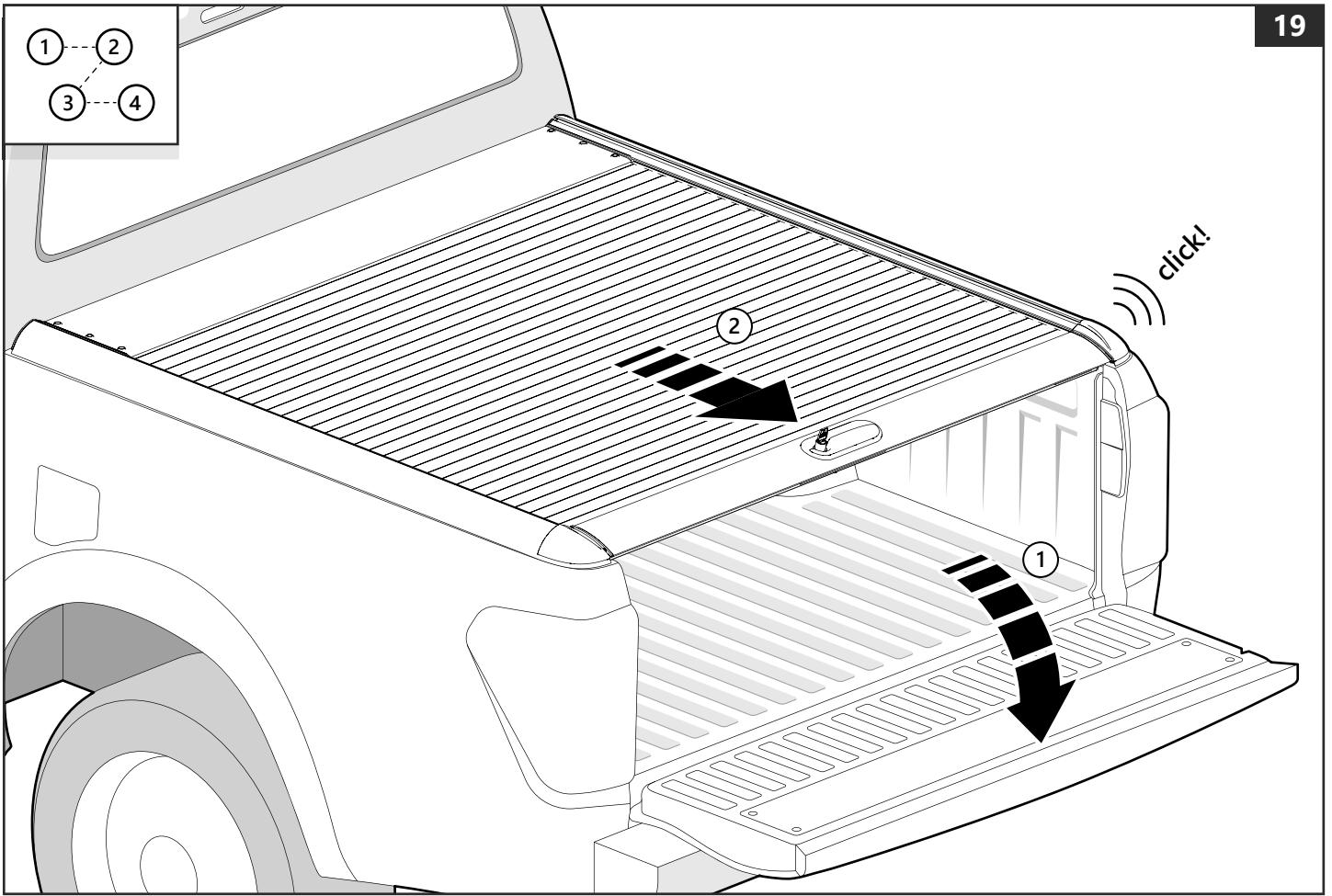


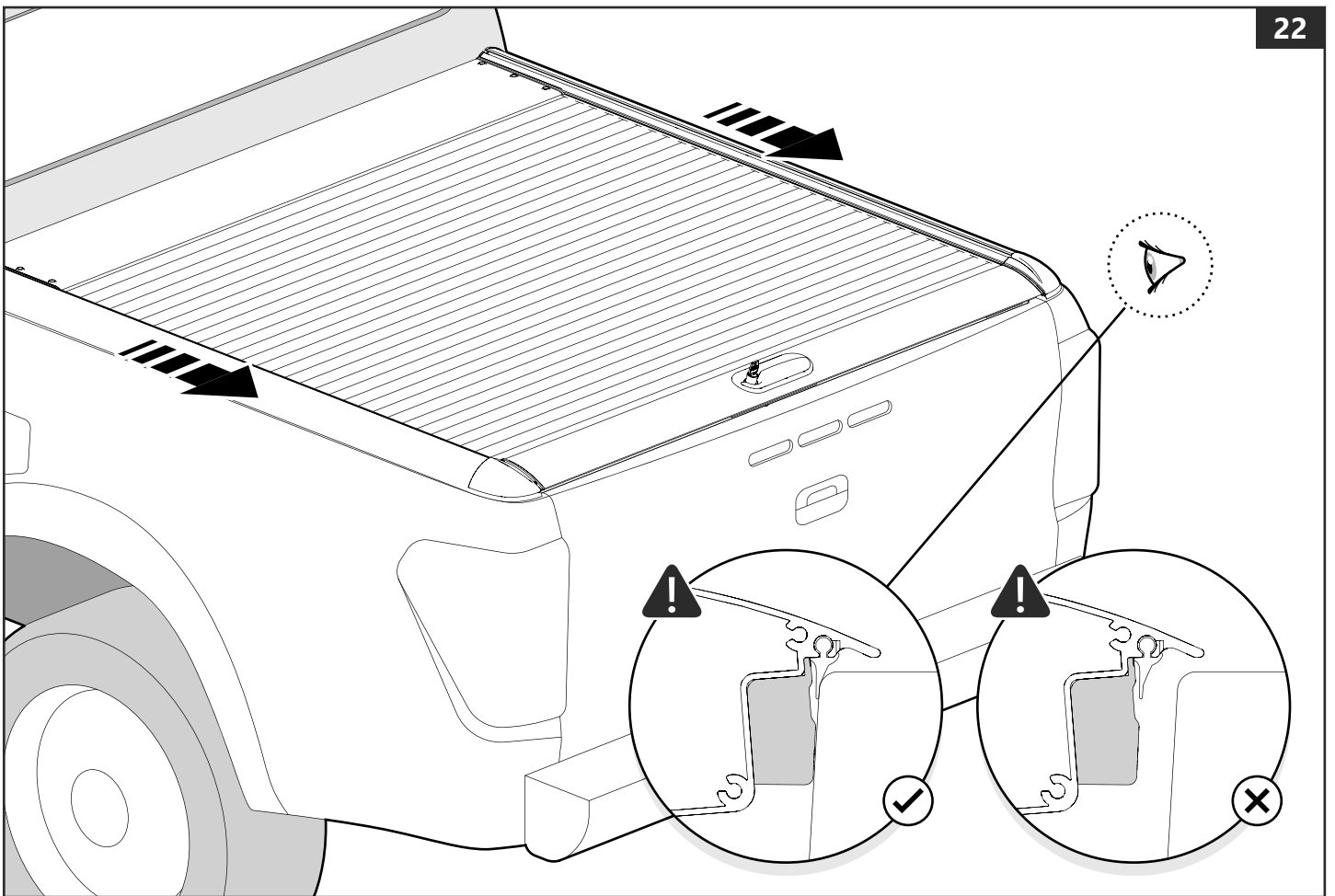
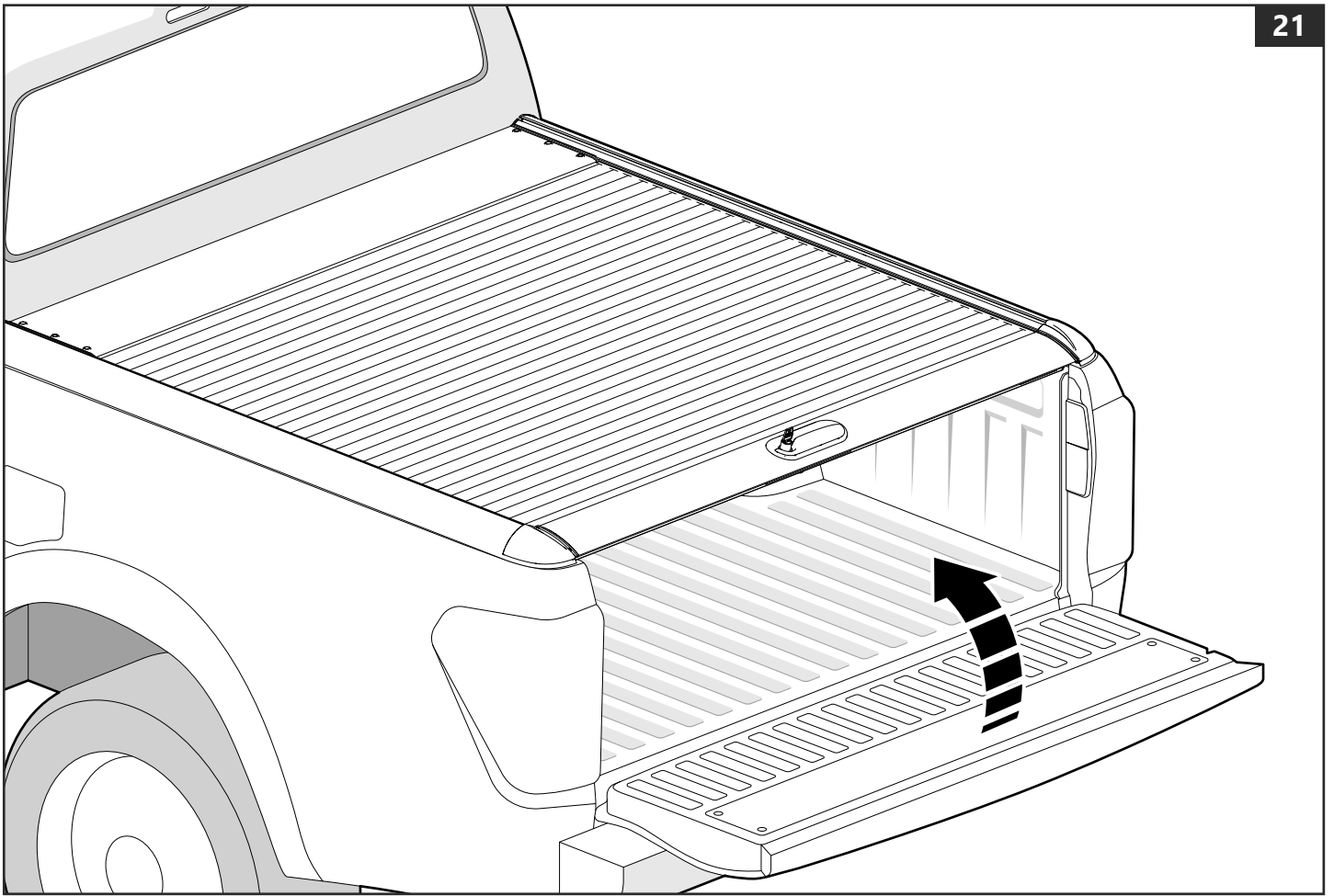


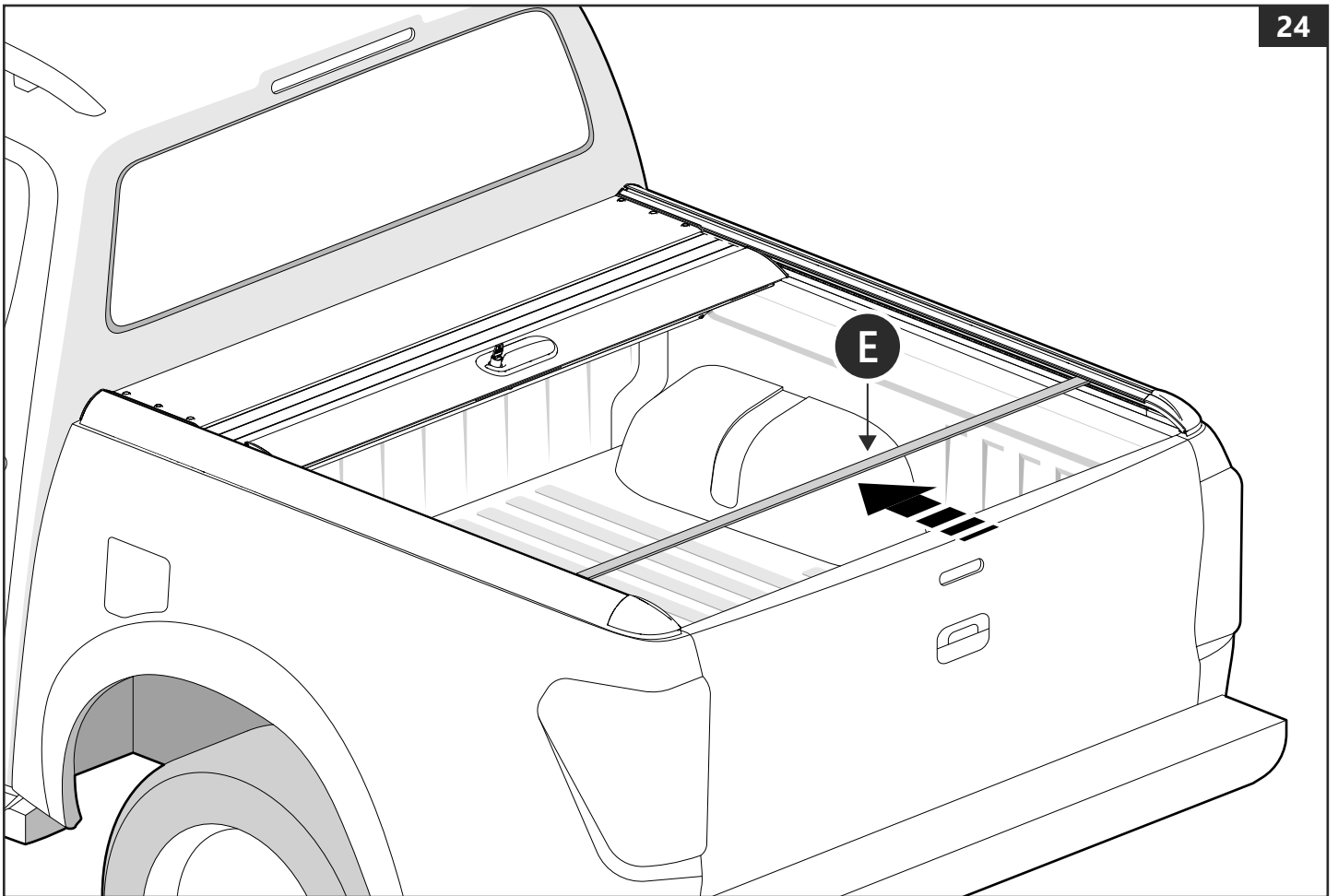
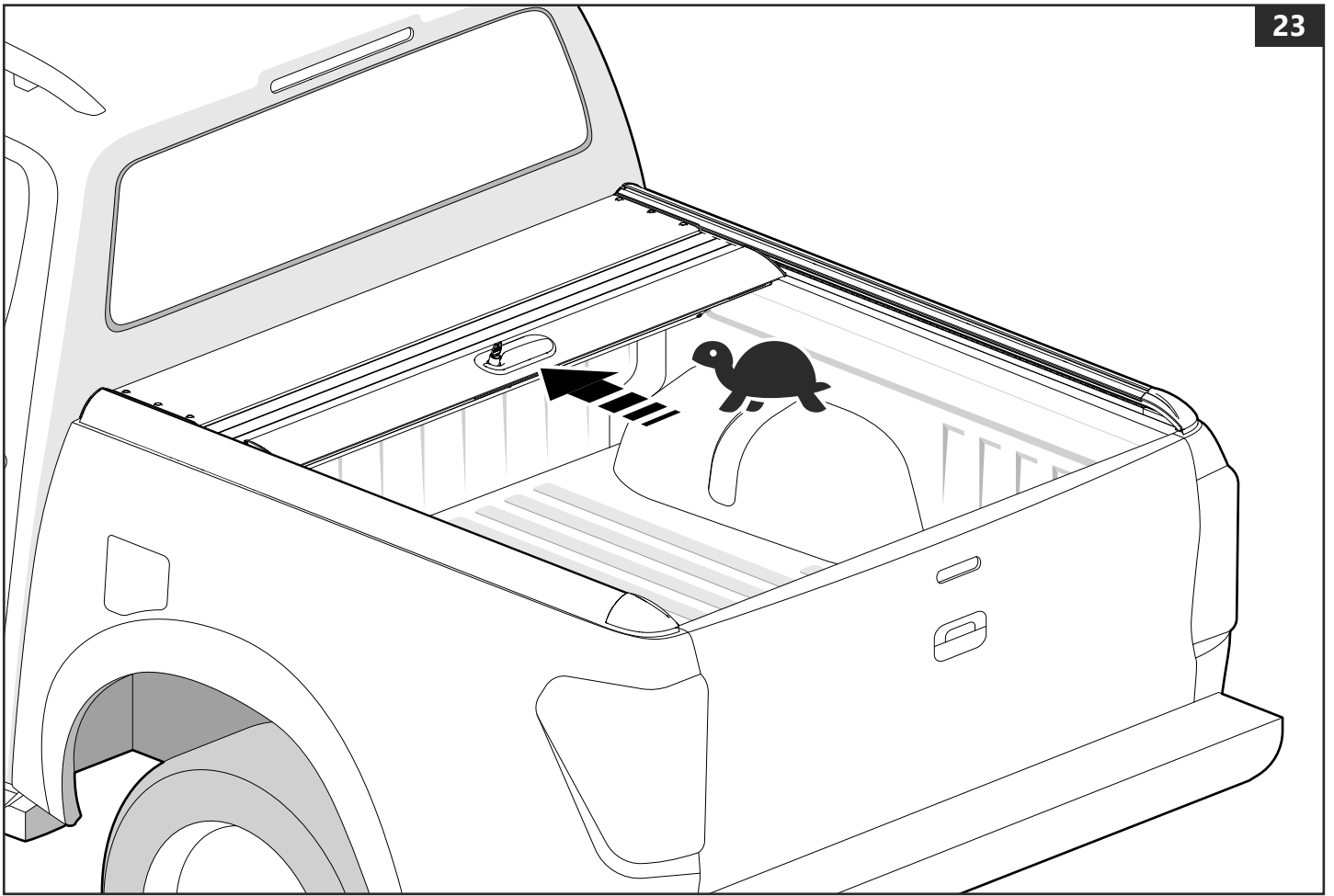


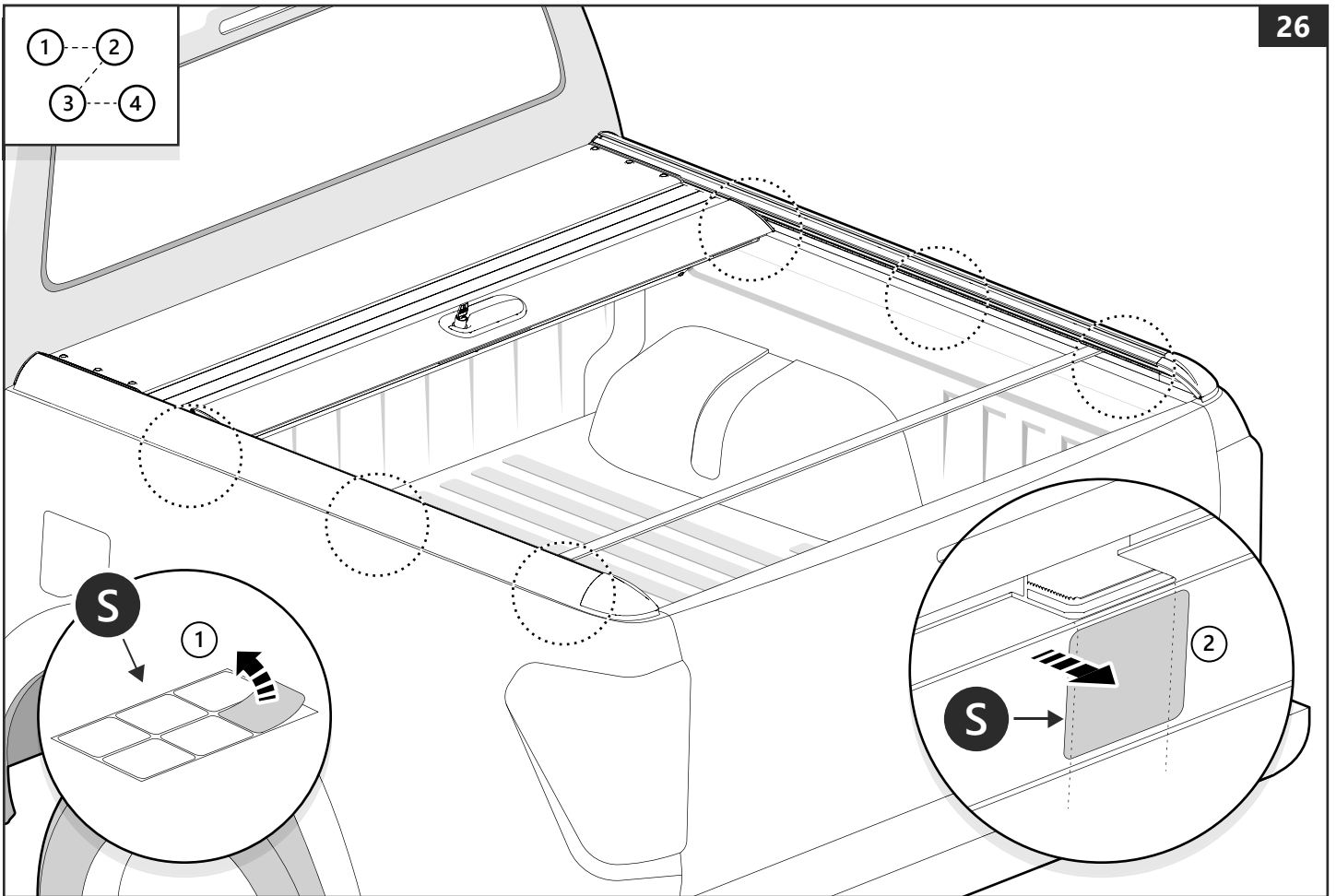
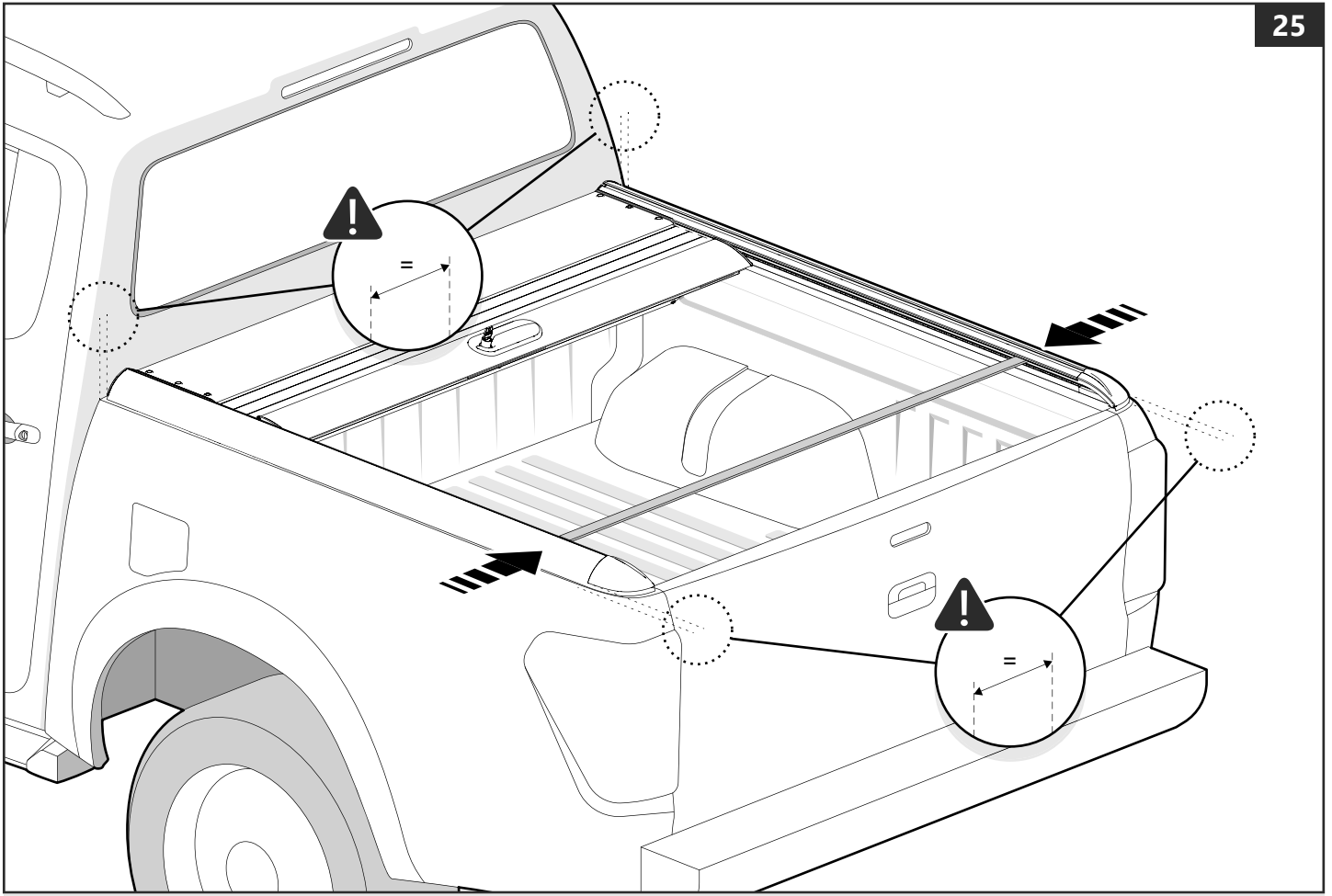


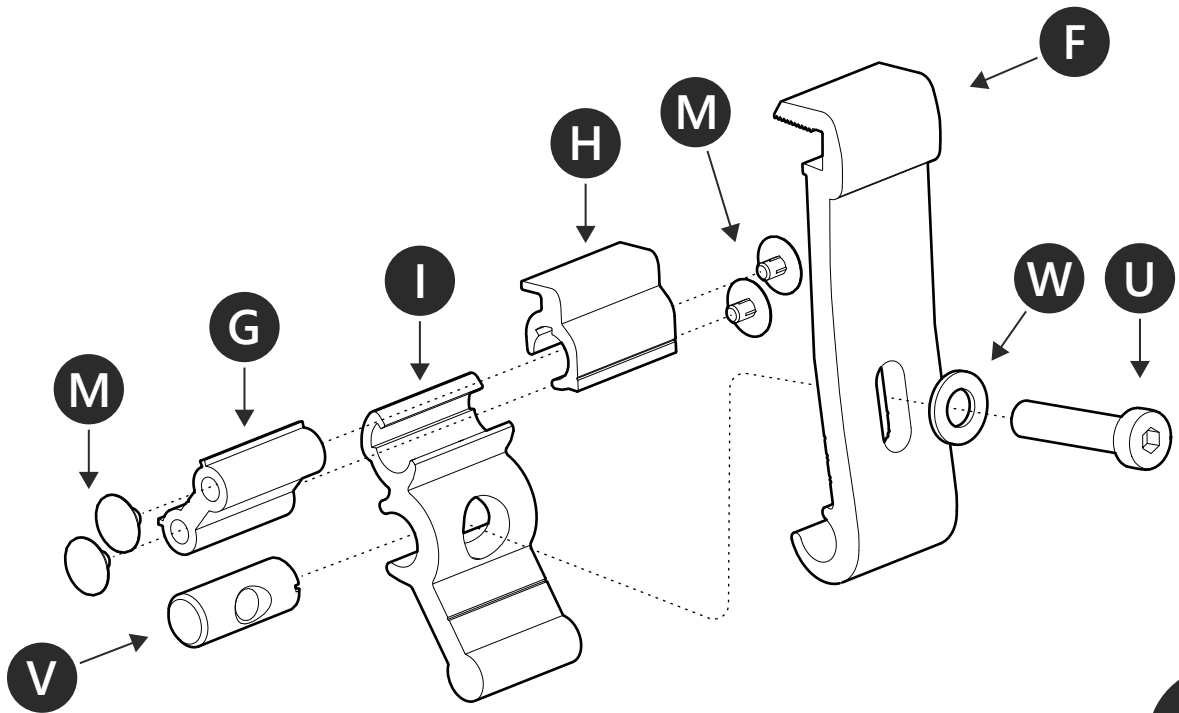




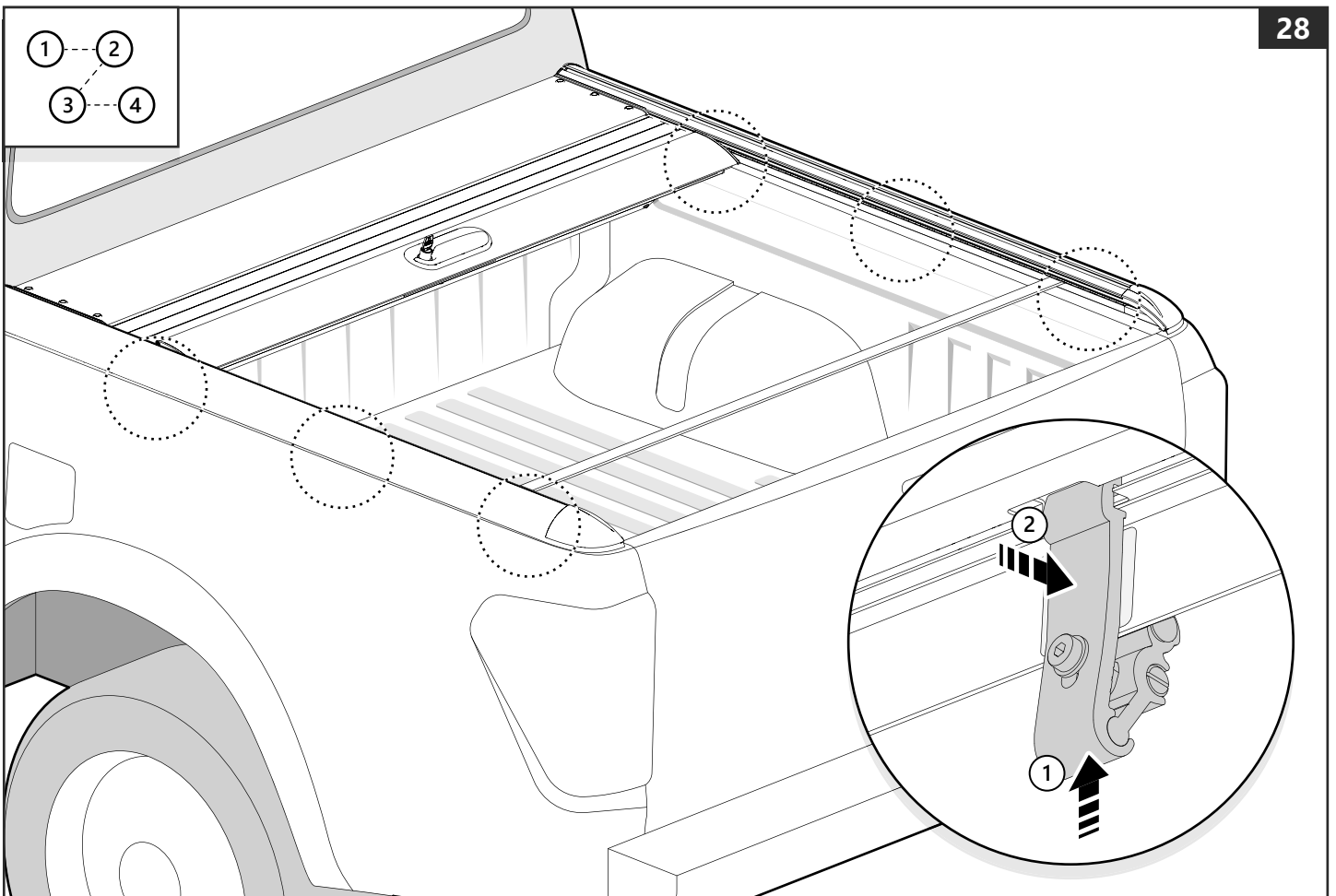


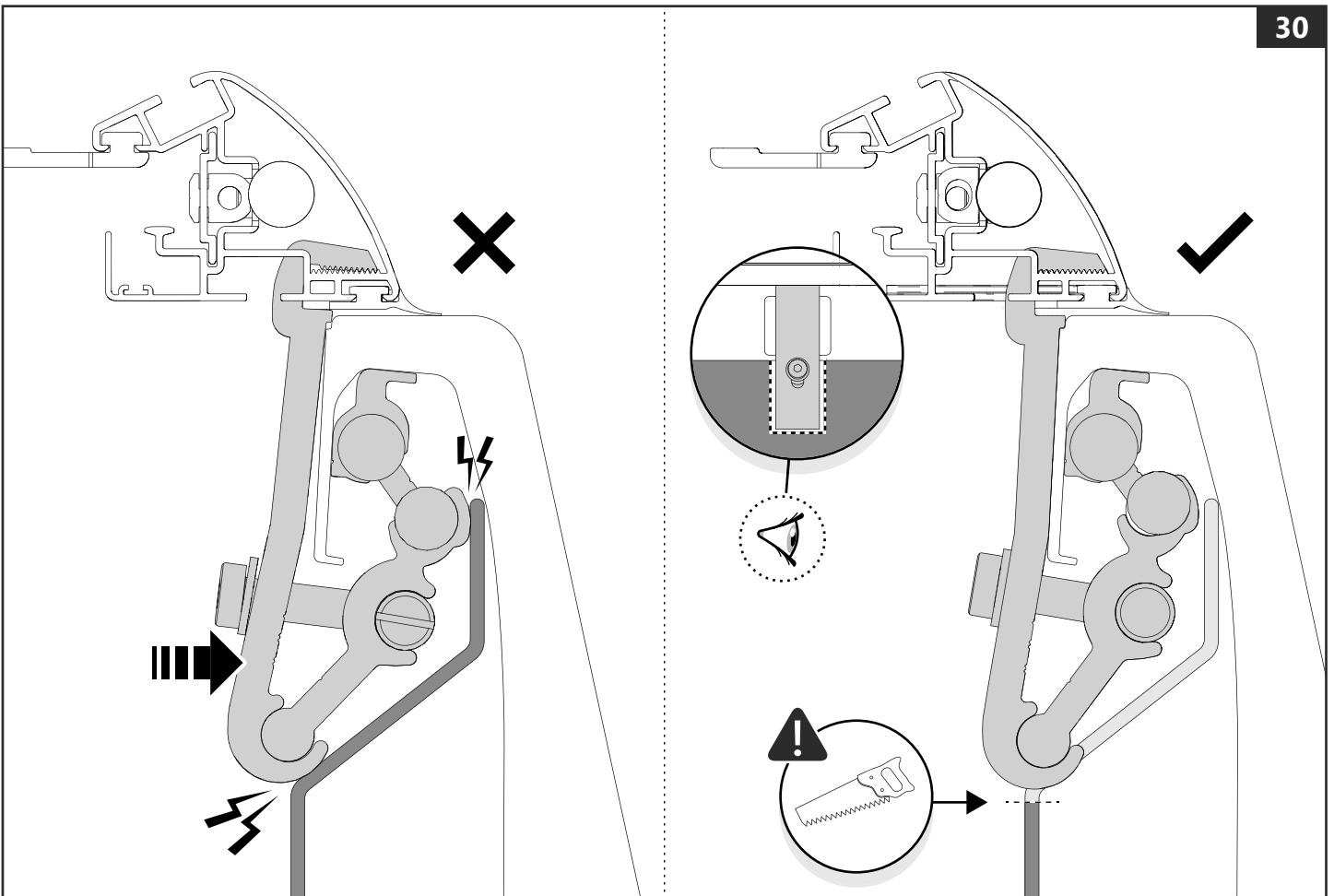
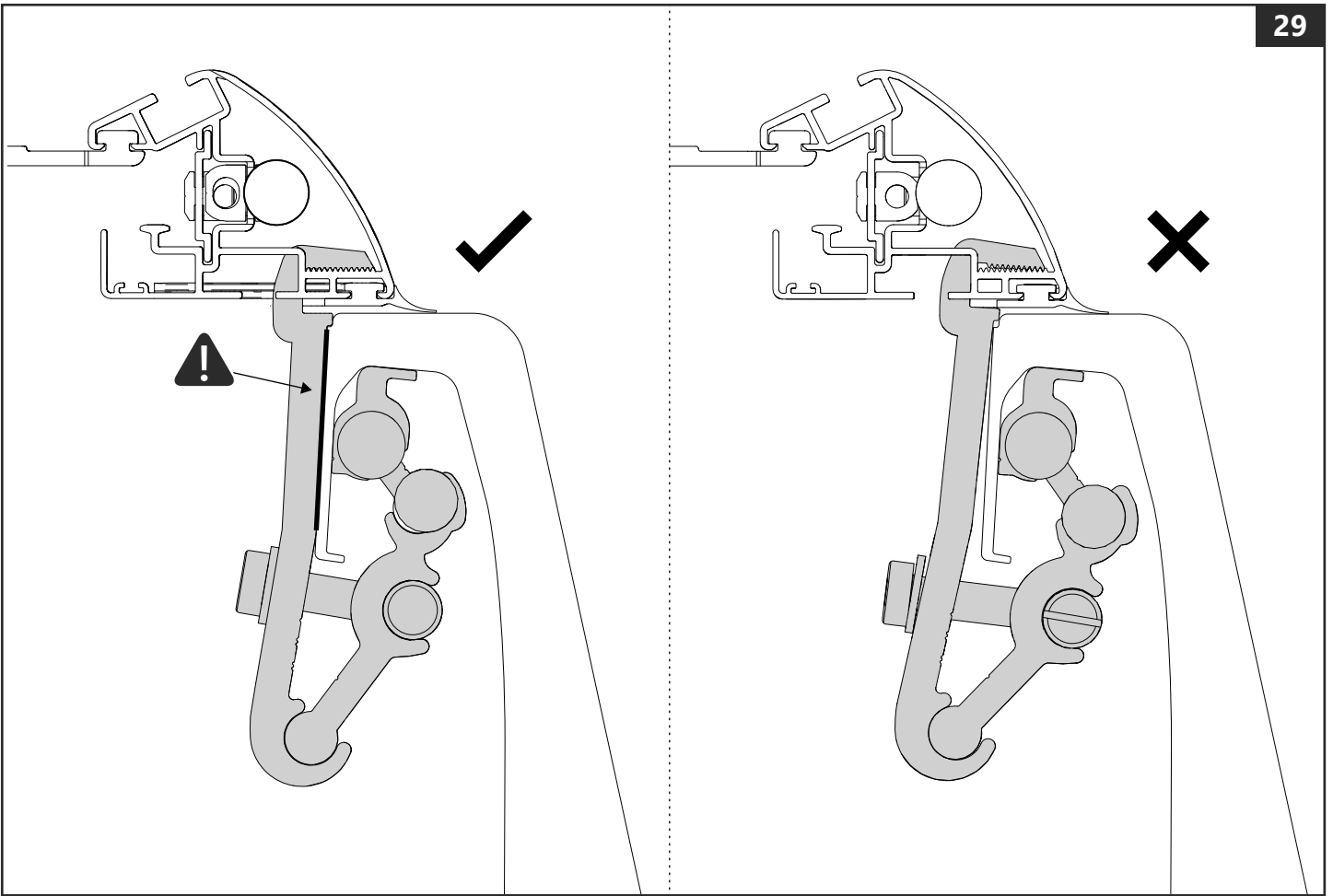


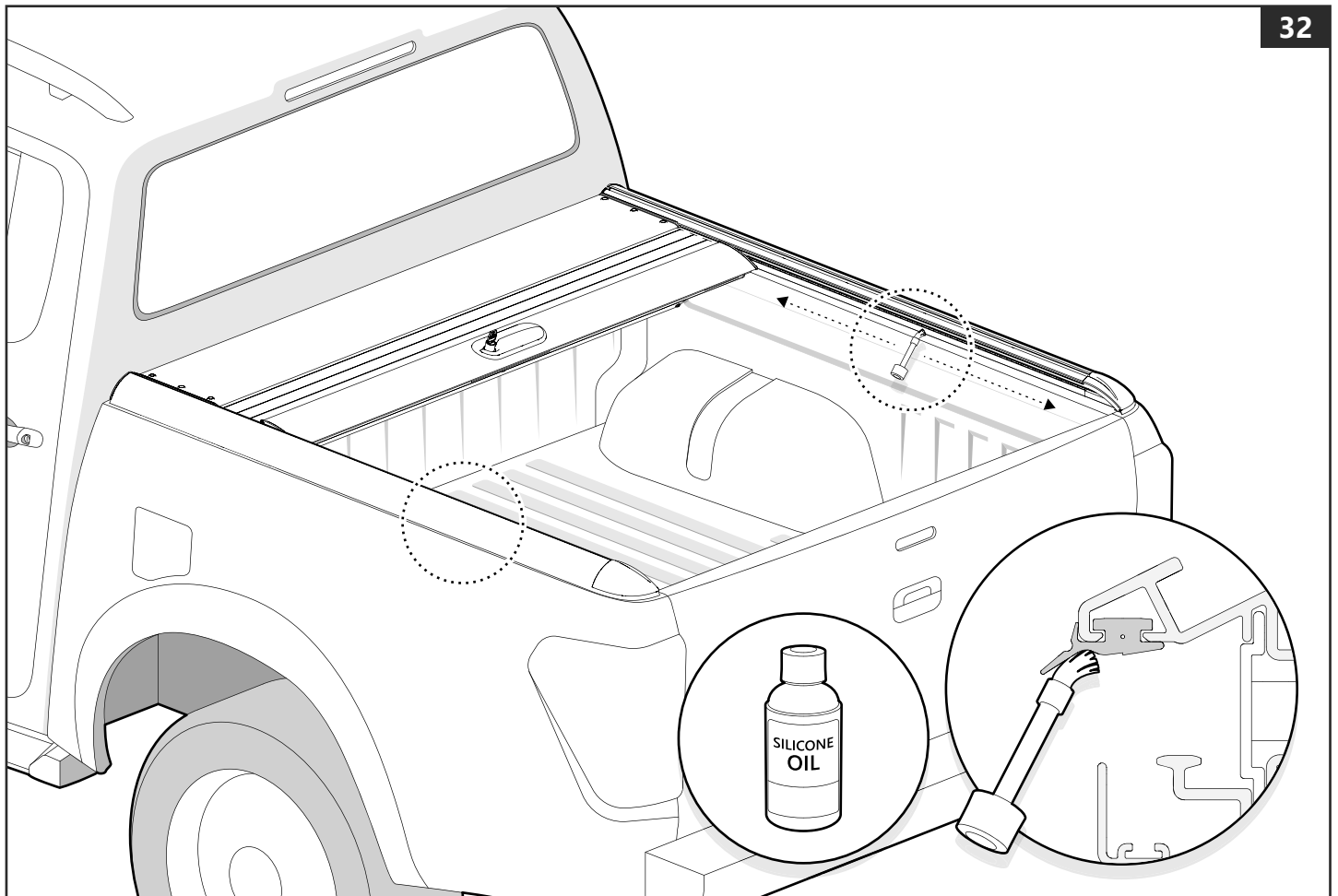
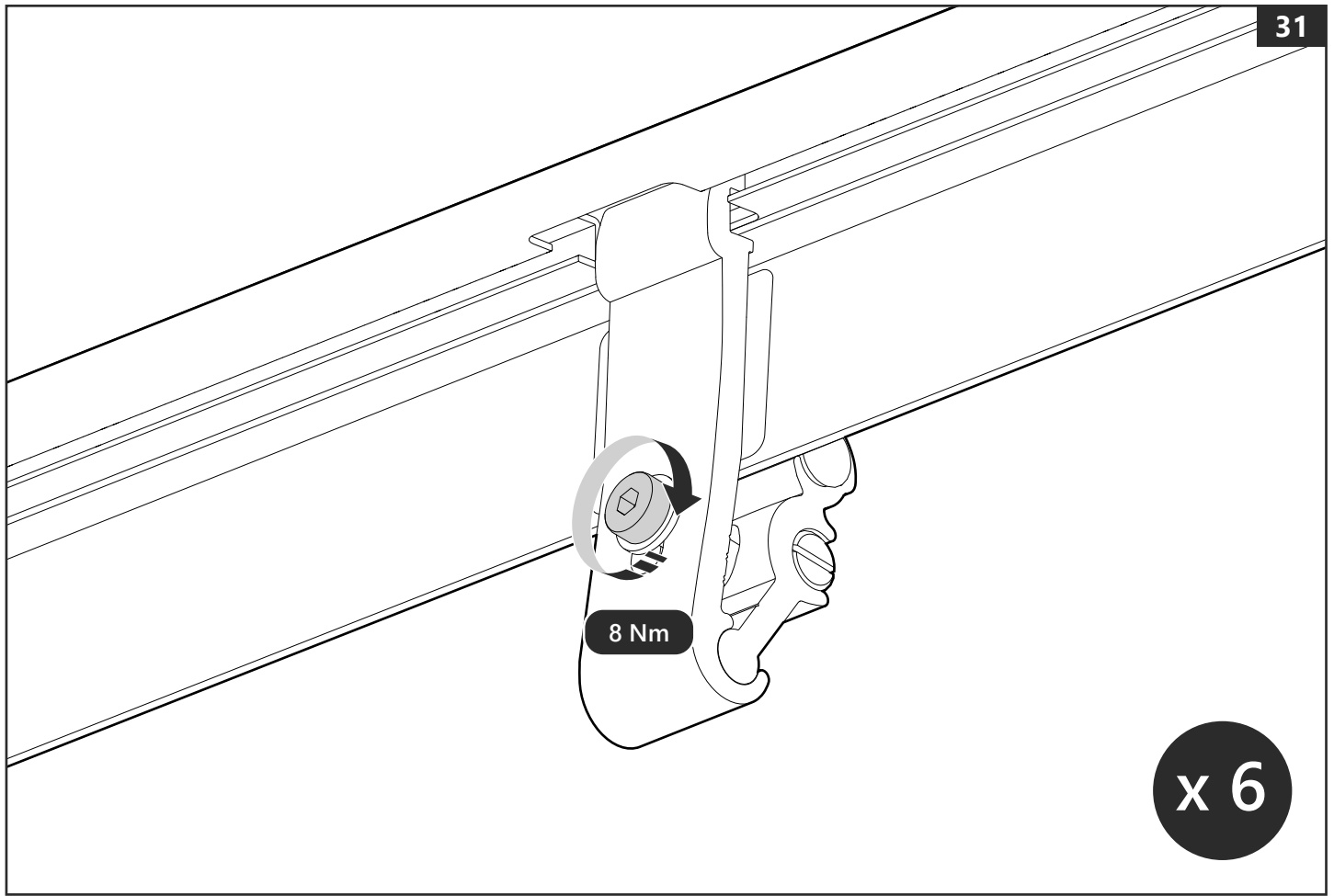


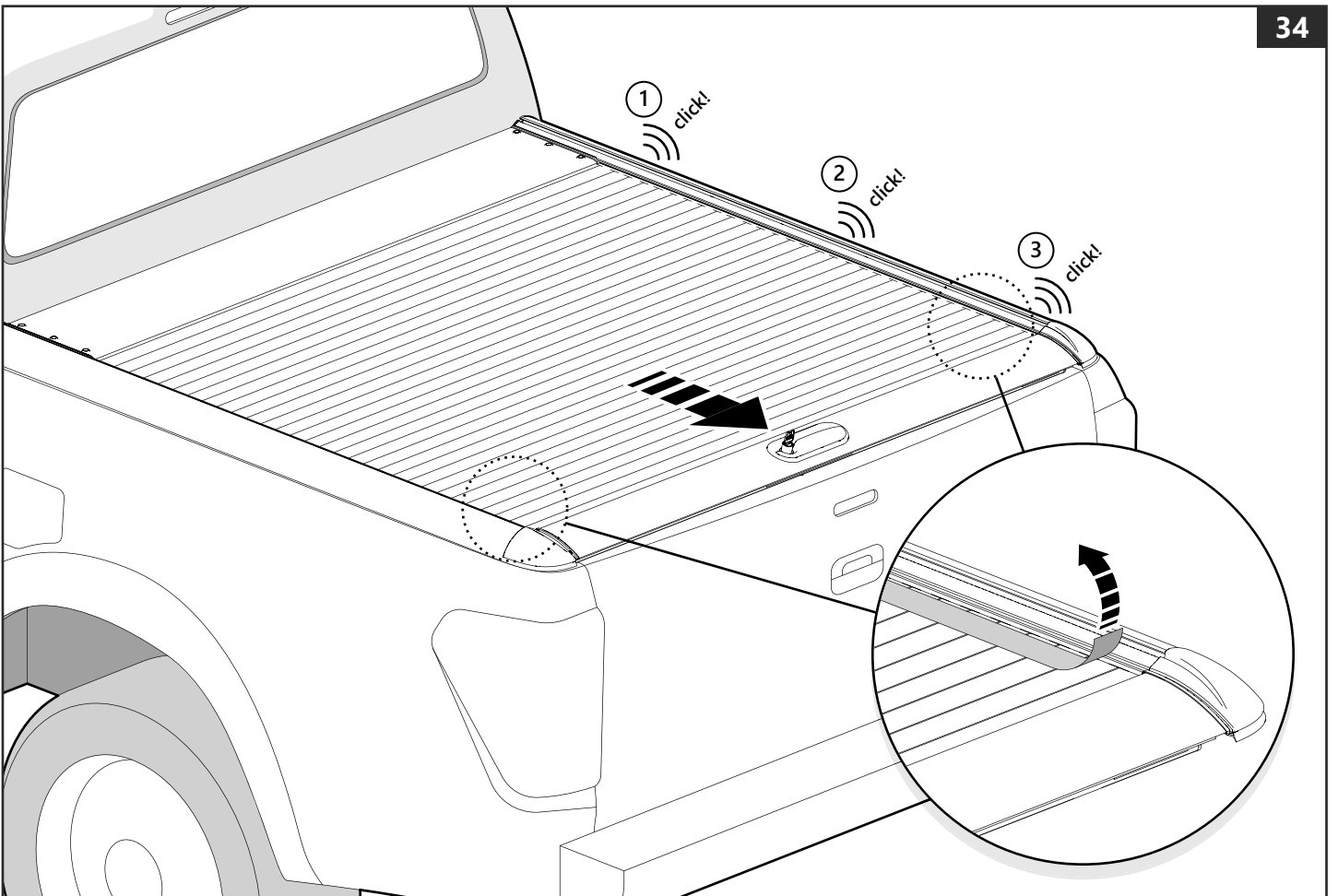
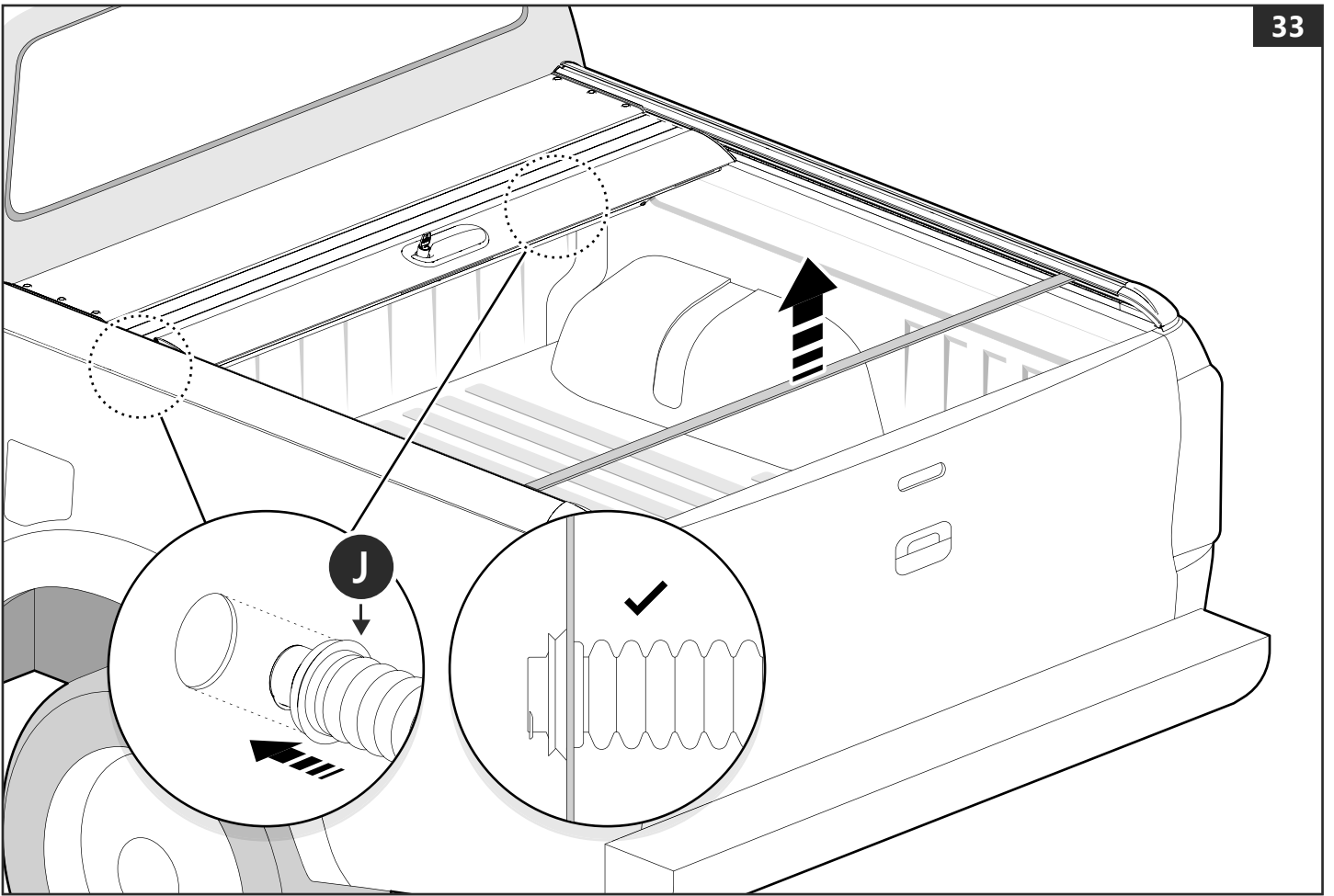


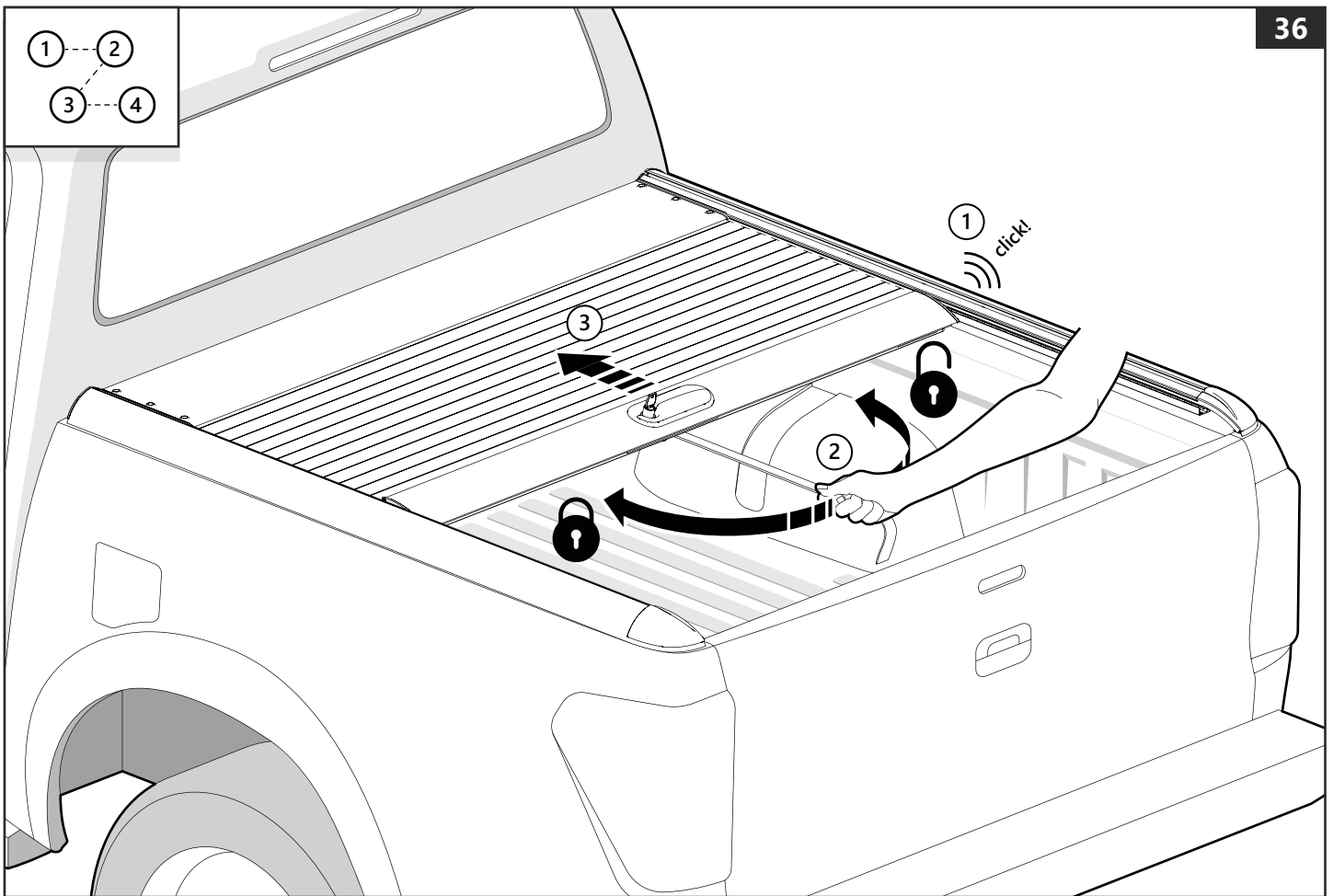
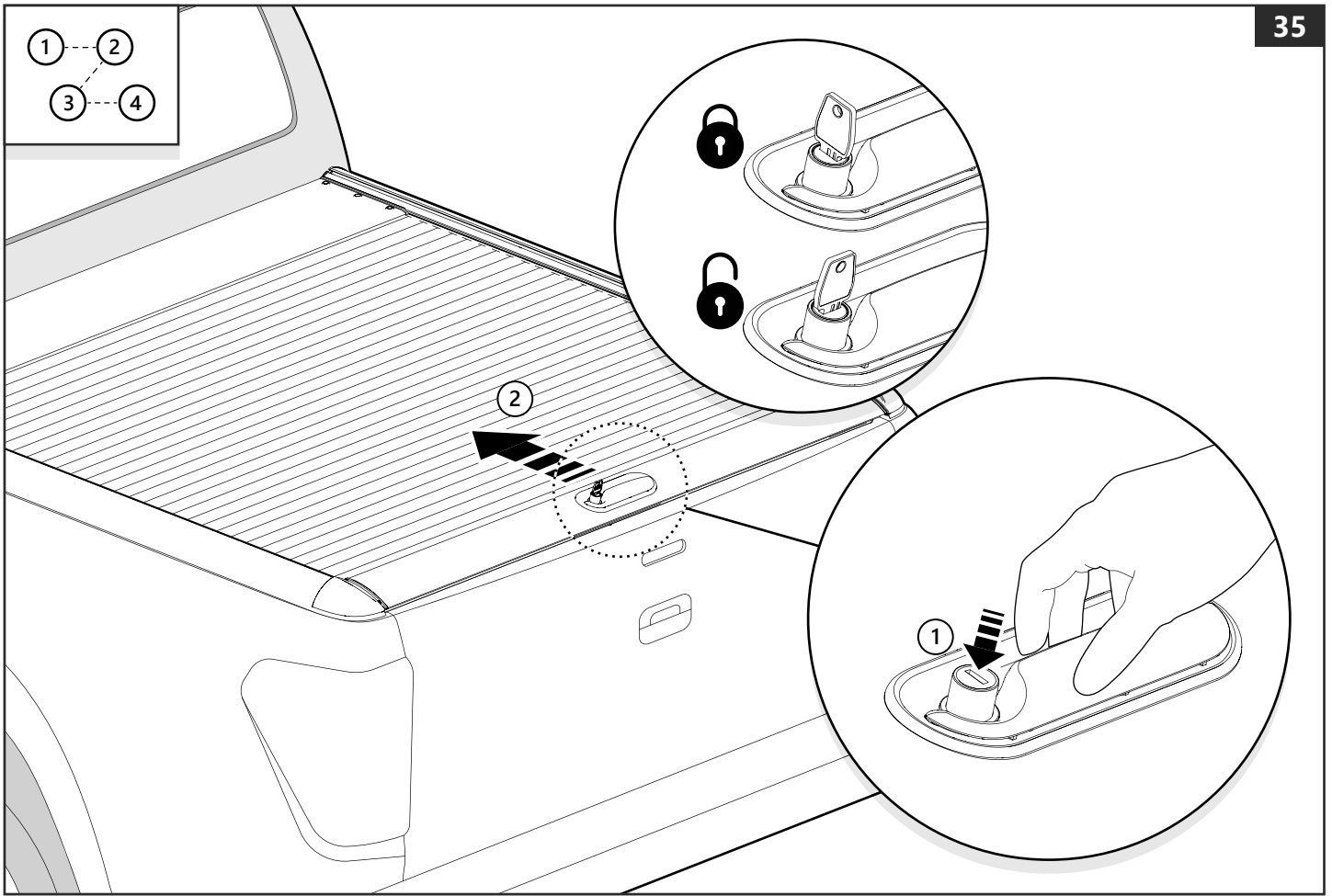
x 6

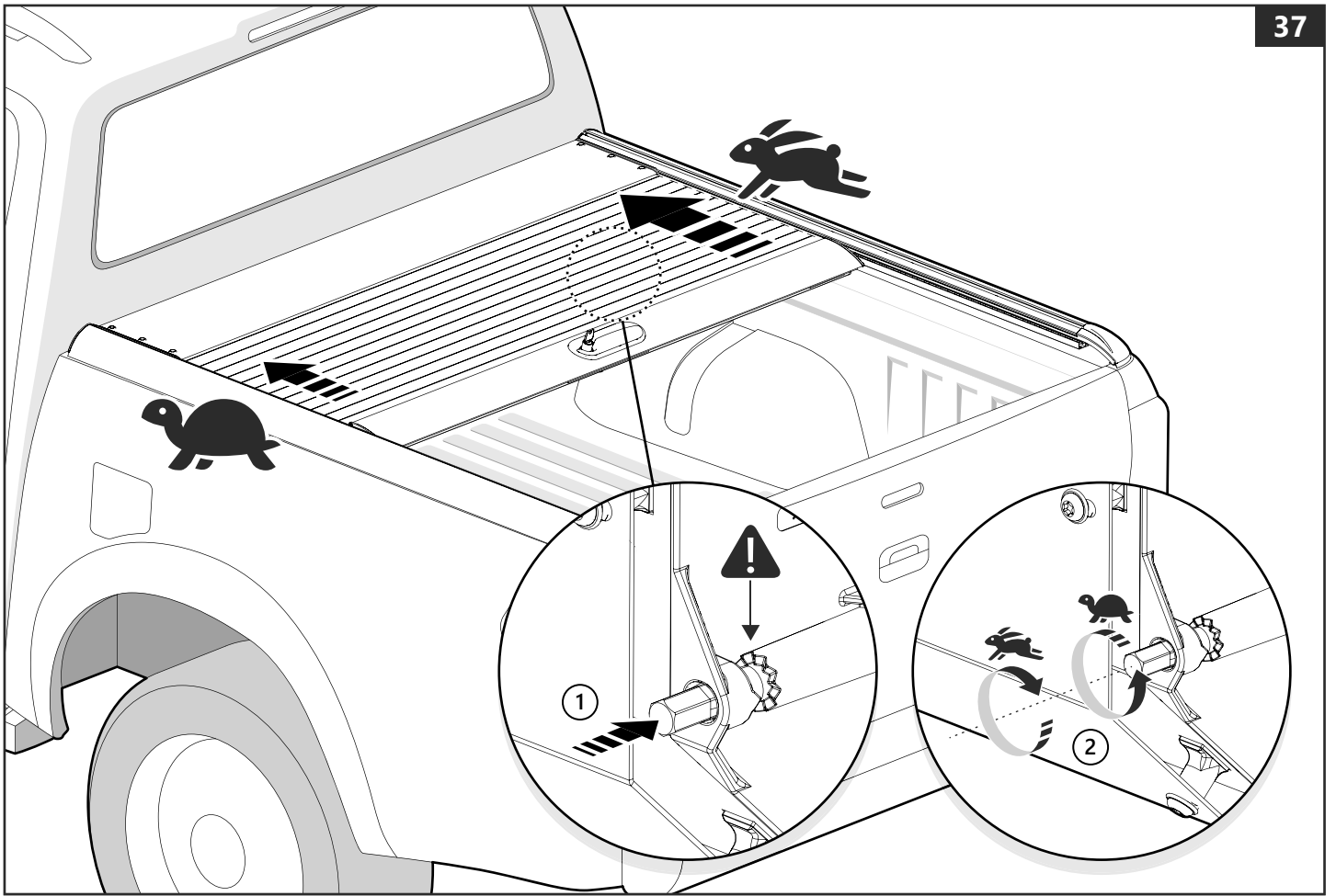














Customer Service +45 4810 2950 (08:00 - 16:00 CET)
Fax +45 4810 2960
Support info@mountaintop.dk
Website www.mountaintop.dk
Address Pedersholmparken 10, 3600 Frederikssund, Denmark

PART NUMBER(S)	MODEL / YEAR	CAB TYPE(S)	INSTALLATION TIME	WEIGHT
MTR TO90/91	Toyota / 2015 →	Double / Extra	2 hour(s)	31 - 36 Kg
MTR NI90/91	Nissan / 2015 →	Double / King	2 hour(s)	31 - 36 Kg

GB Installation manual	S Monteringsanvisning	D Einbauanleitung
SF Asennusohje	E Instrucciones de montaje	CZ Návod k instalaci
F Notice de montage	H Szerelési utasítás	I Istruzioni de montaggio
PL Instrukcja montażu	P Instruções de instalação	GR Οδηγίες Εγκατάστασης
NL Installatie-instructies	RUS Инструкция по установке	DK Monteringsvejledning
TR Montaj Talimatı	N Monteringsveiledning	RO Instructiuni de instalare