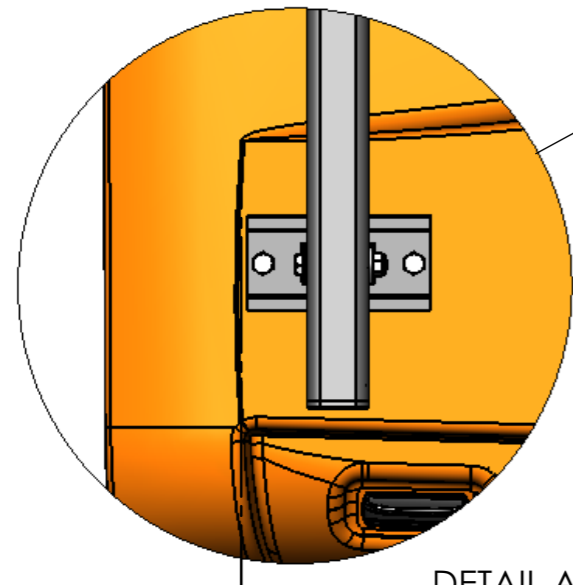
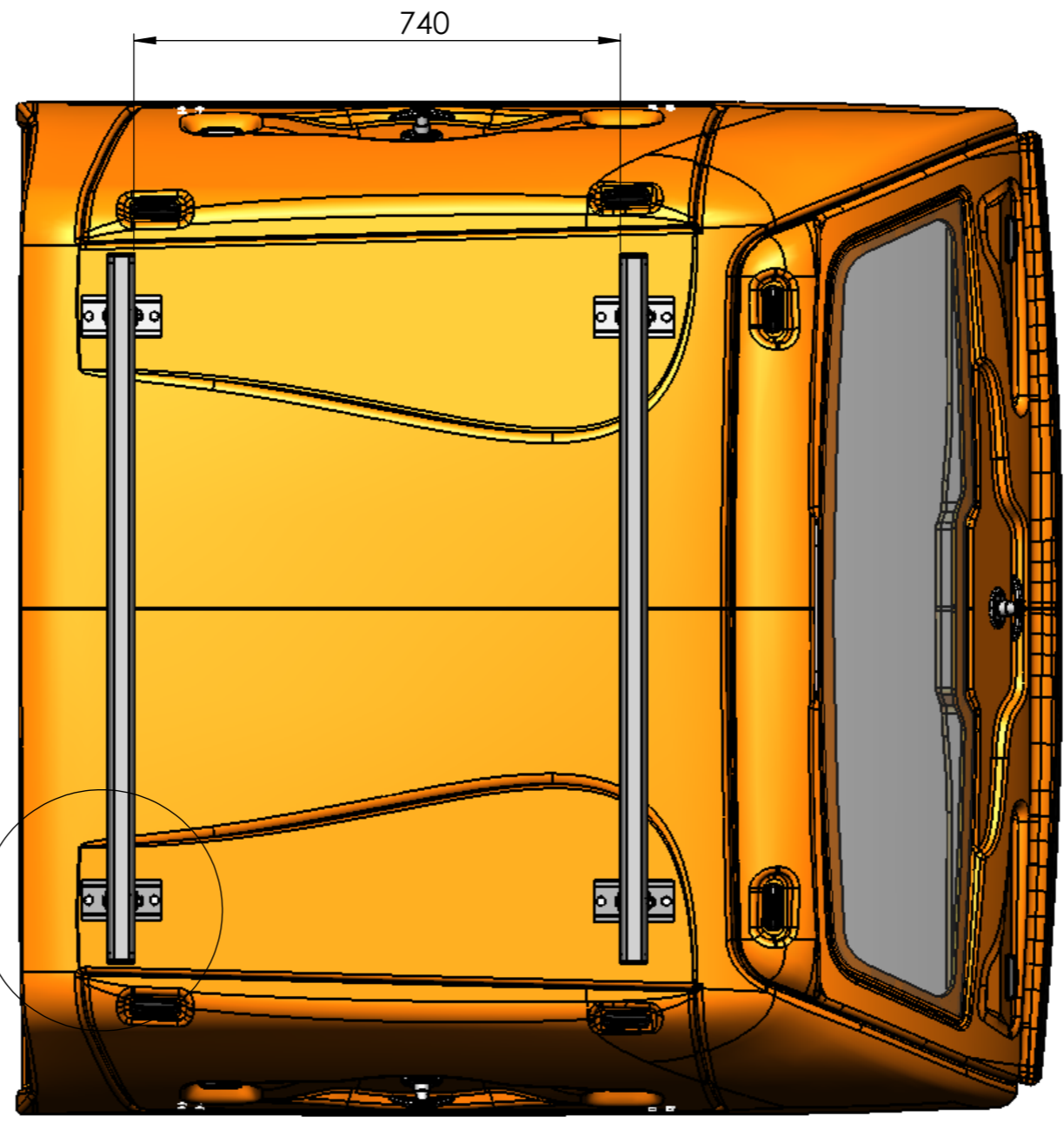
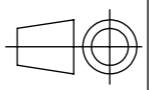



This drawing is the property of PLB Vindic AB. It is strictly confidential and must not be copied, traced or loaned without permission. Any infringement of these conditions will lead to the institution of legal procedures



DETAIL A
SCALE 1 : 5

	General tolerances:	ISO 2768-1m	Material:	Scale: 1:10
				Mass: kg
Designed by:	S. Ennemuist	Title/Name: TorRack 80-1221		
Checked by:	S. Ennemuist			
Date:	22.01.2016	Drawing number: MLD-MLDC-55-TorRack		
Owner:	 PLB Vindic AB Sweden			