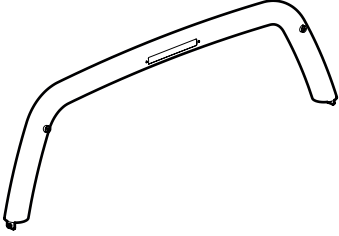
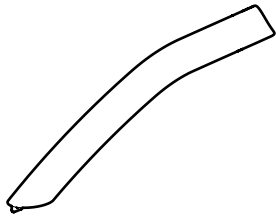
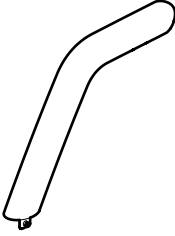



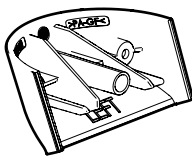
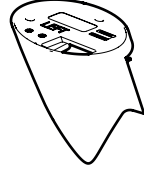
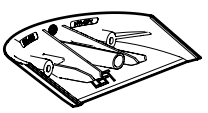

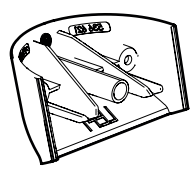
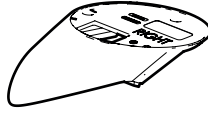
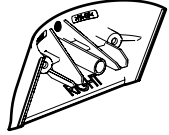
Mountain Top® Sports Bar

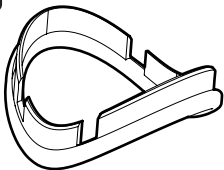
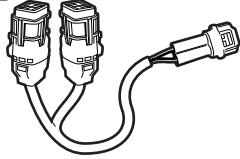
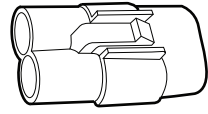

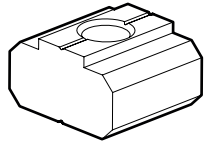
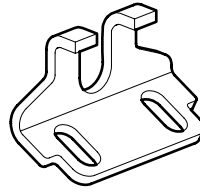
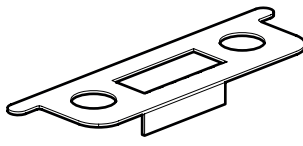

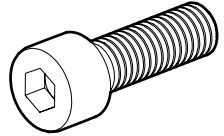
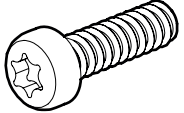
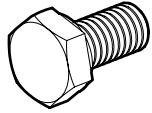
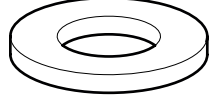
Installation manual




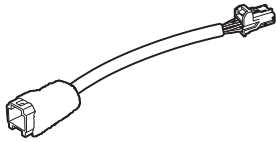
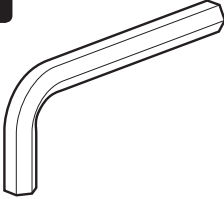
DOWNLOAD PDF


Parts			
A		B	
	x 1		x 1
C			
			x 1

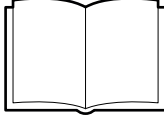
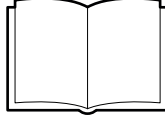
Kit			
D		E	
	x 1		x 1
F		G	
	x 1		x 1
H		I	
	x 1		x 1
J		K	
	x 1		x 1


Kit			
L		M	
	x 2		x 1
N		O	
	x 1		x 2
P		Q	
	x 8		x 4
R		S	
	x 4		x 6
T		U	
M8x20	x 6	M3,5x12	x 8
V		W	
M6x12	x 8	M6	x 8

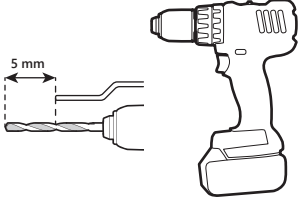
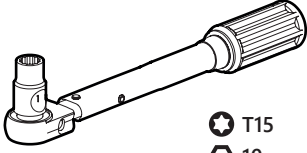



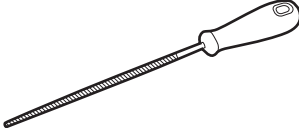
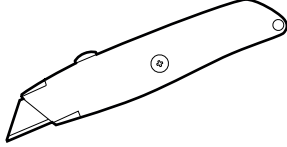
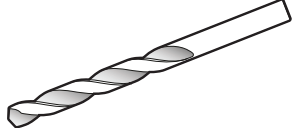
 Kit

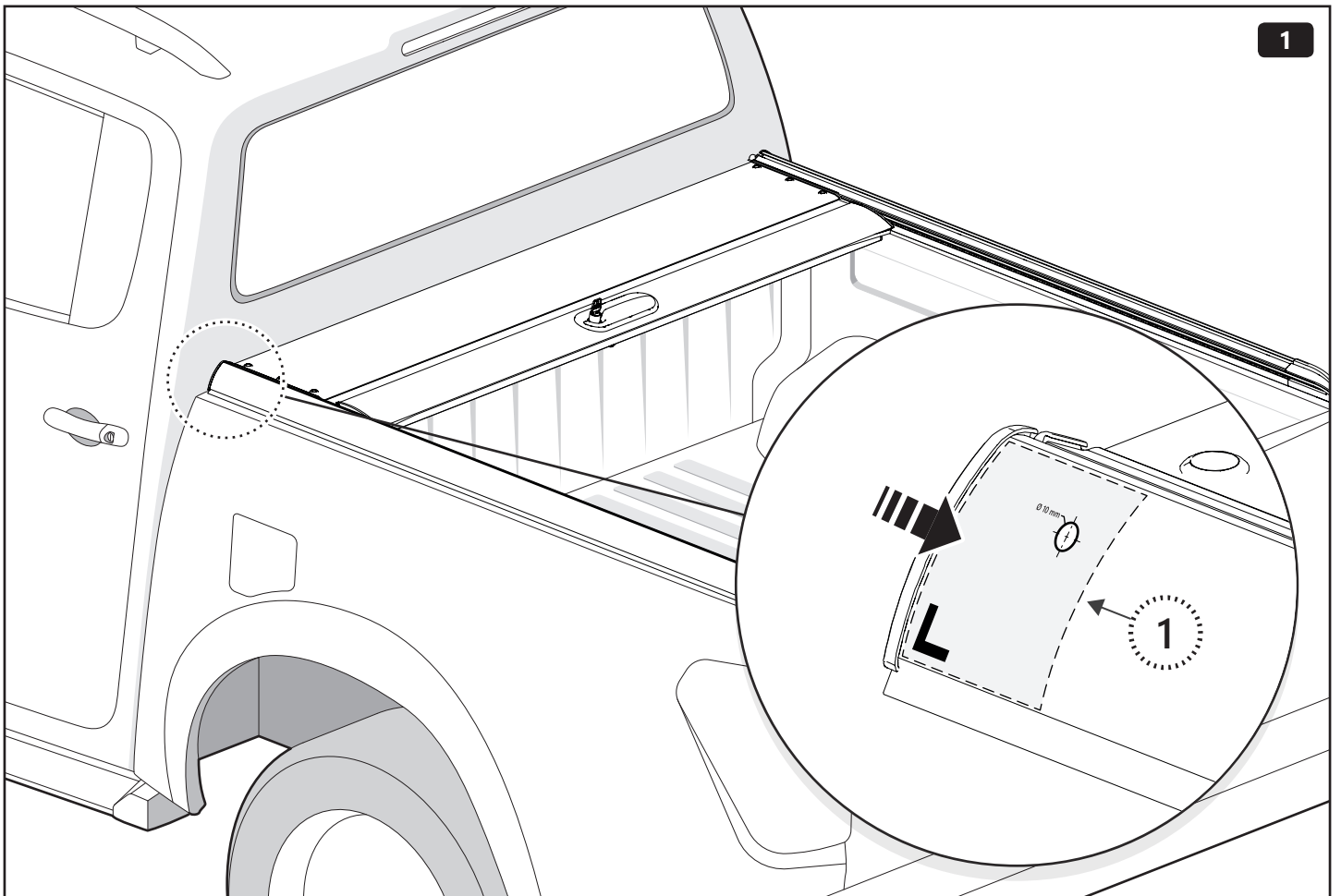
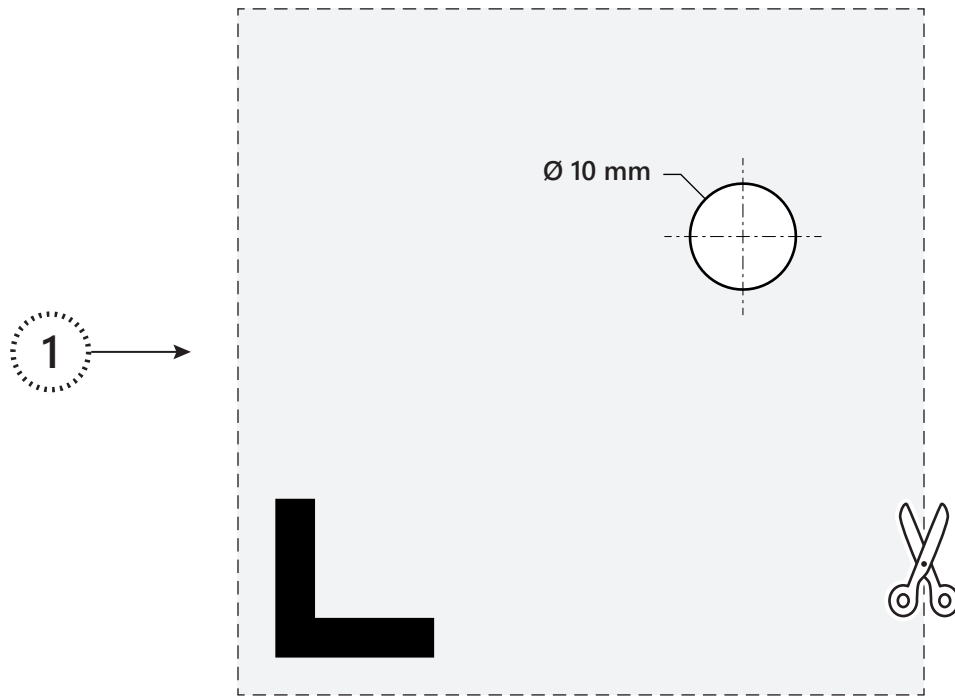
<p>X</p>  <p>x 1</p>	<p>Y</p>  <p>x 1</p>
--	--

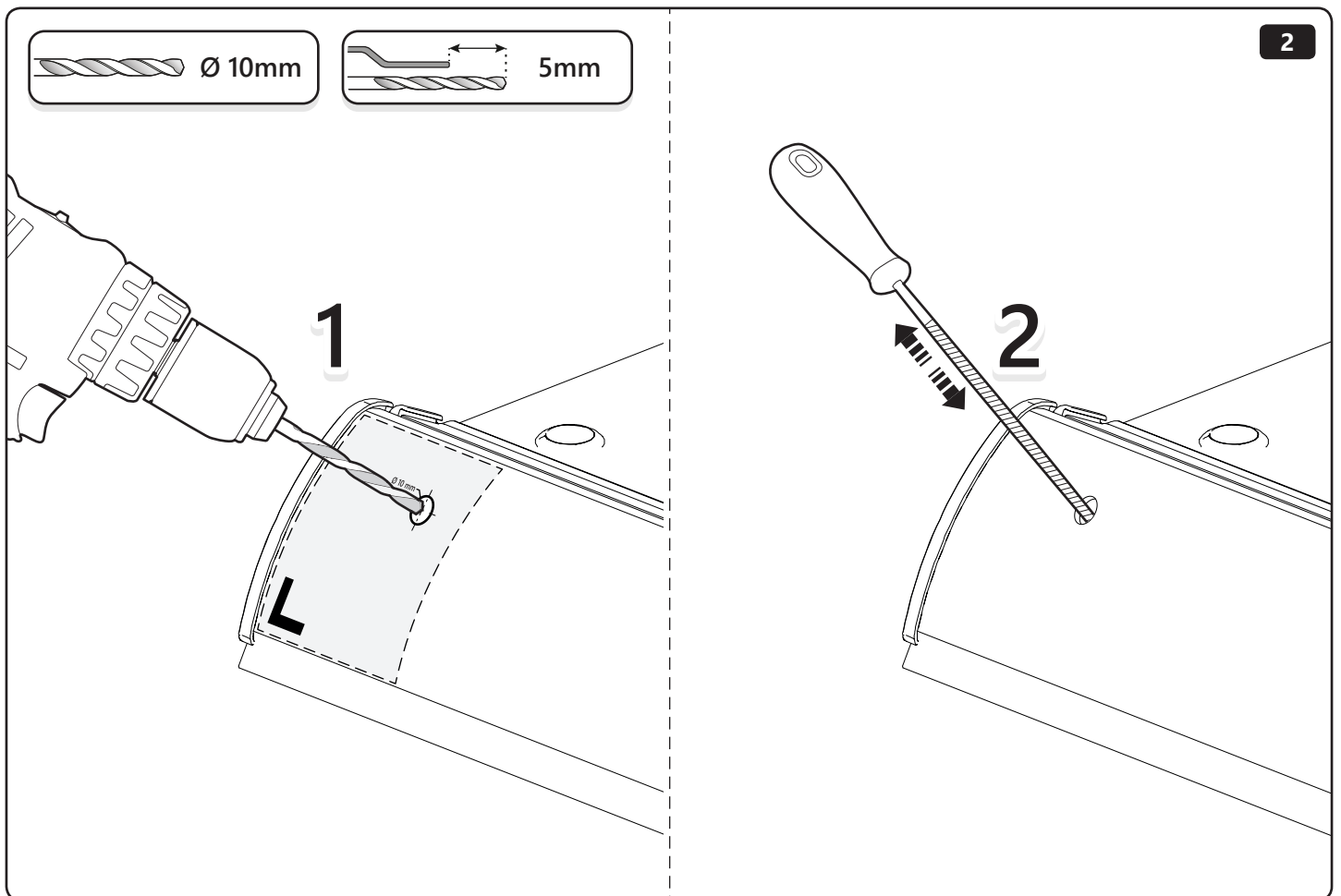
 Manual(s)

 <p>Installation manual x 1</p>	 <p>TÜV documentation x 1</p>
---	--

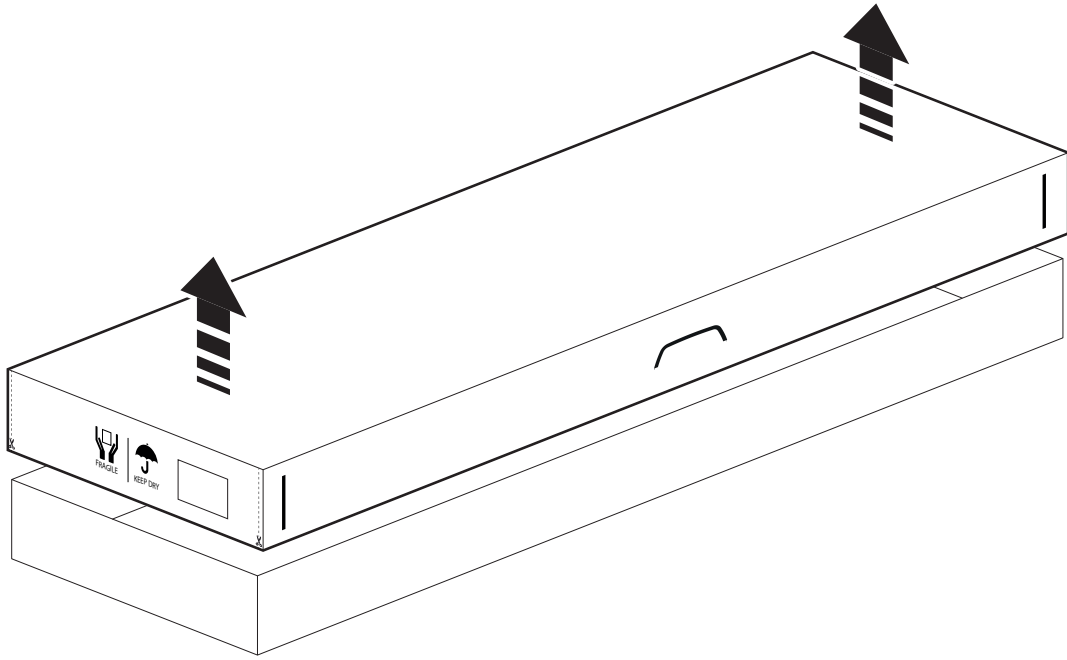
 Tools and materials needed

 <p>5 mm</p>	<p>1-25 Nm</p>  <ul style="list-style-type: none">  T15  10 mm  6 mm 	
		 <p>10 mm</p>

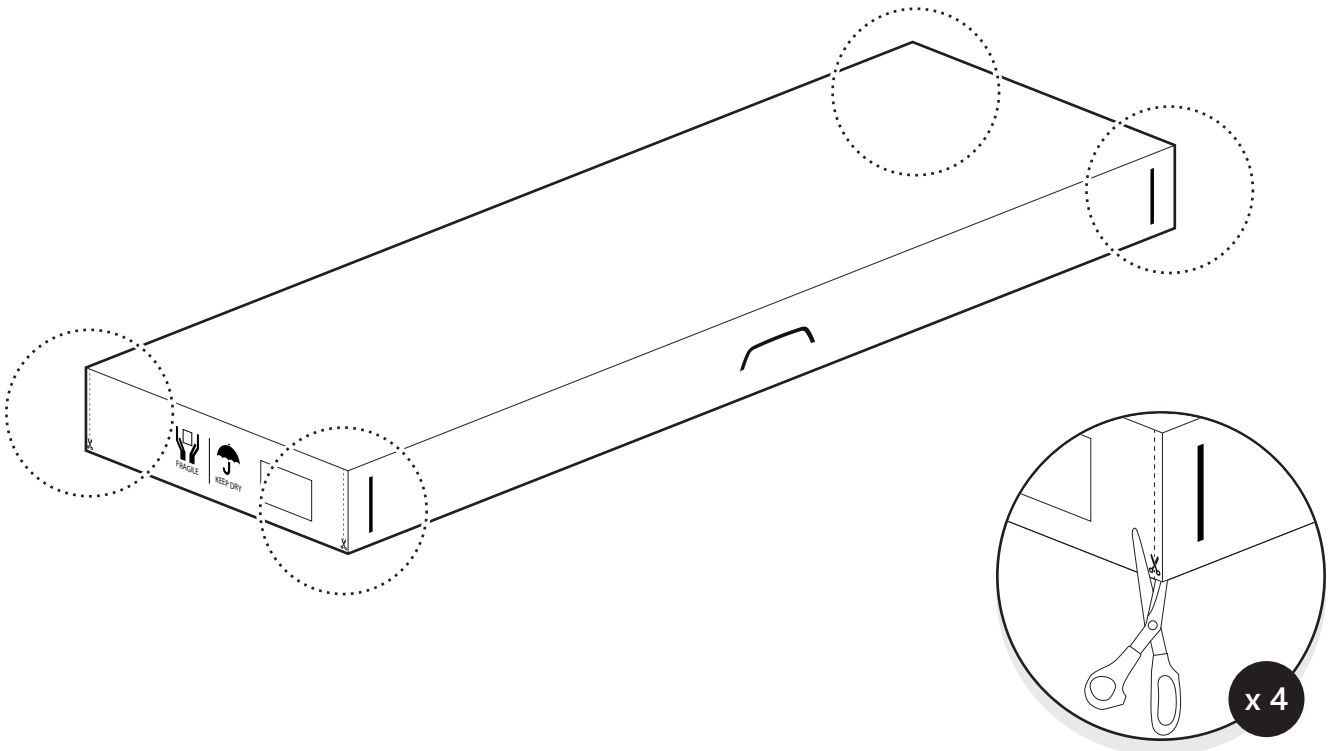




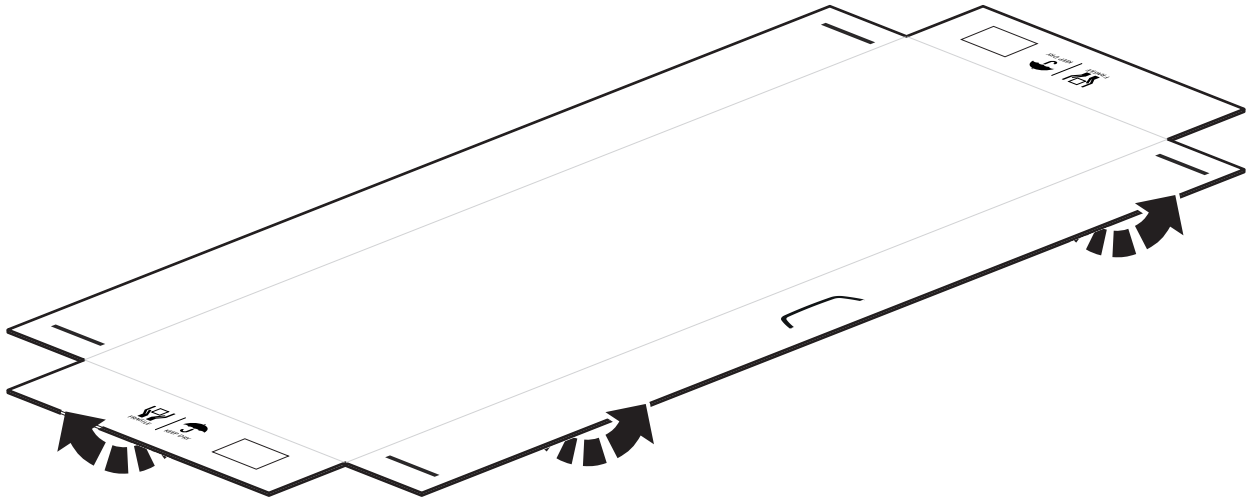
3



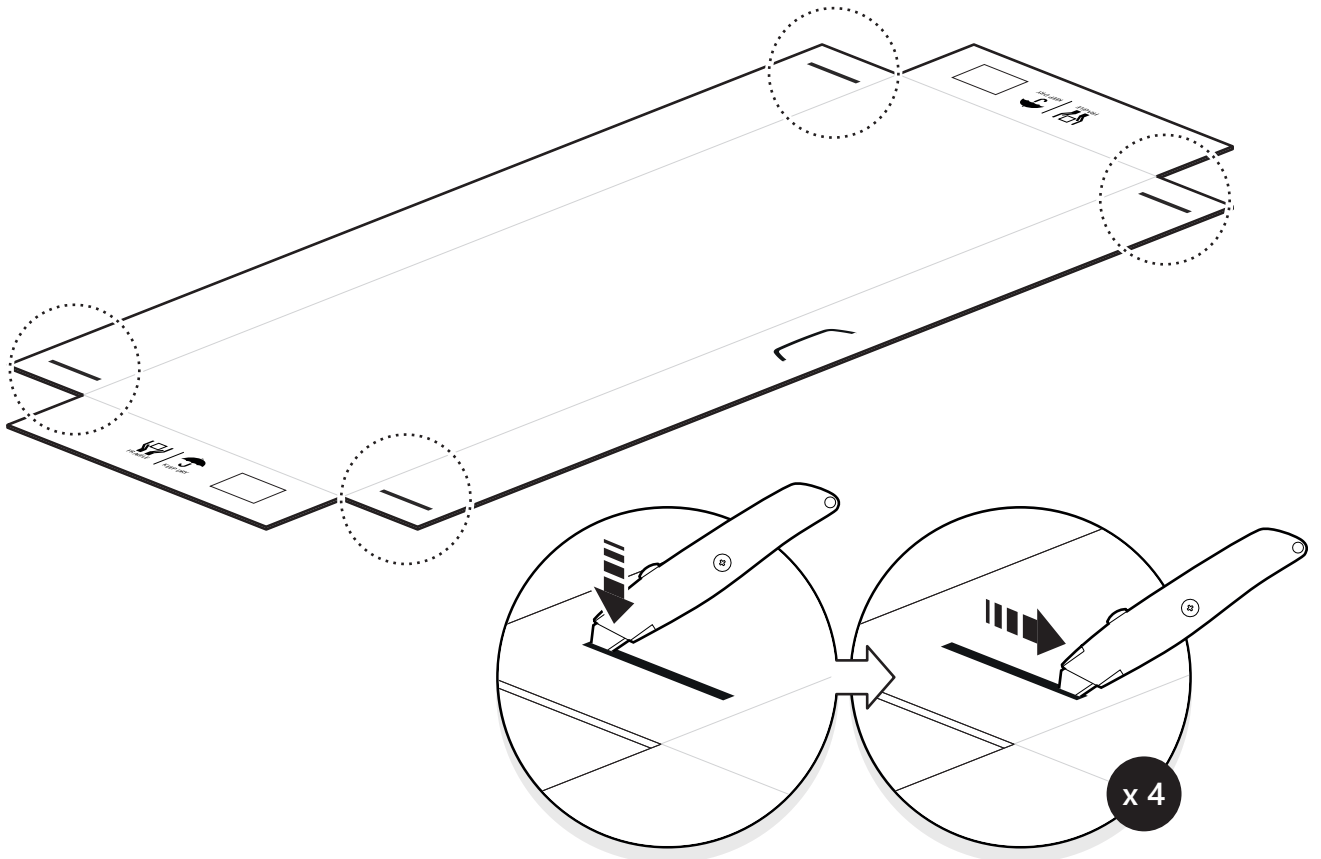
4

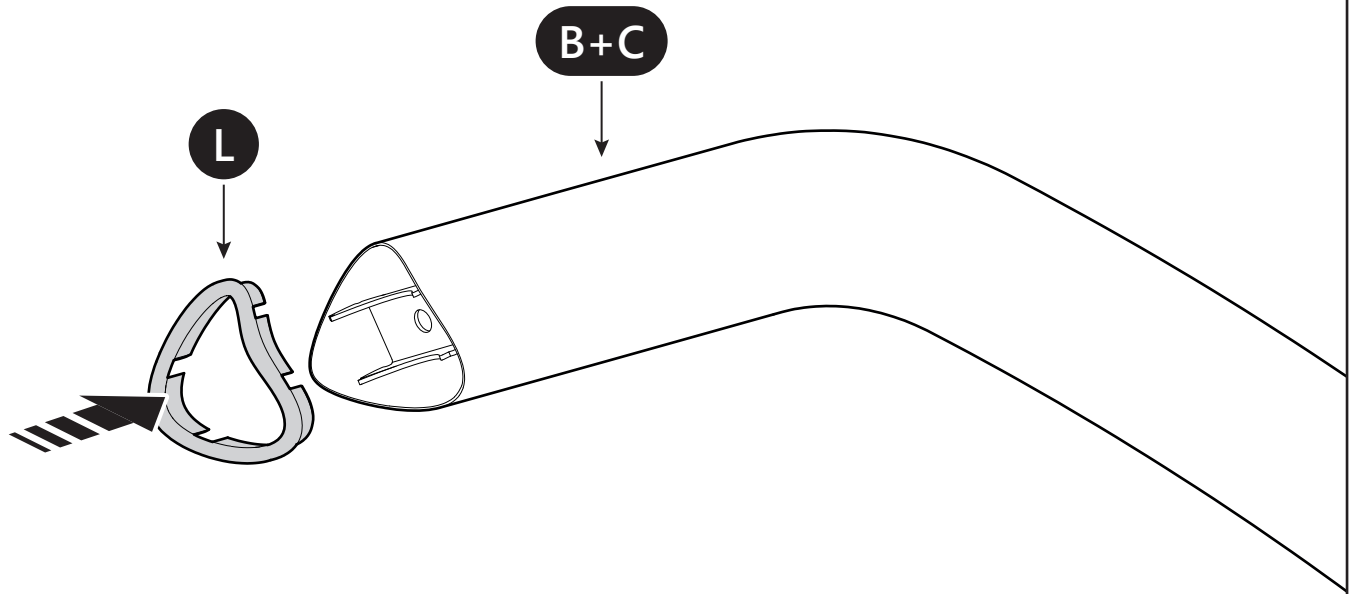


5

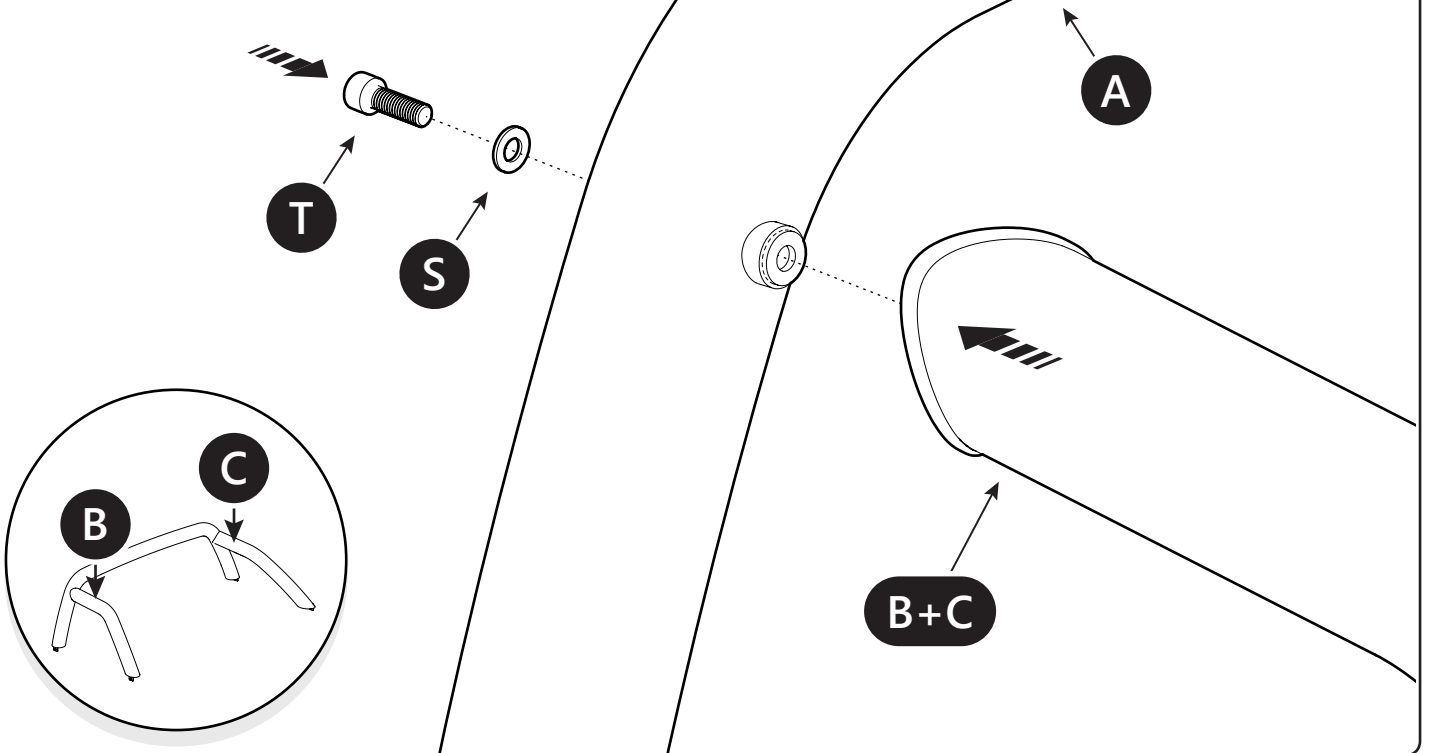


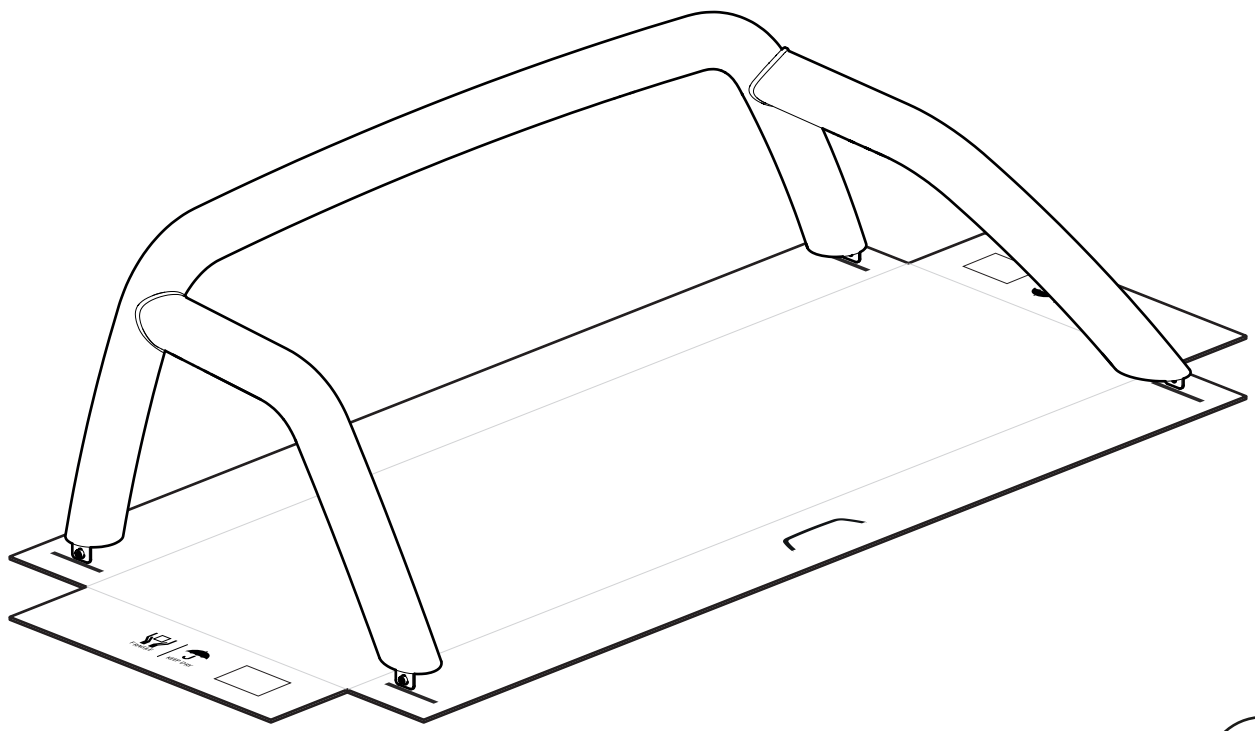
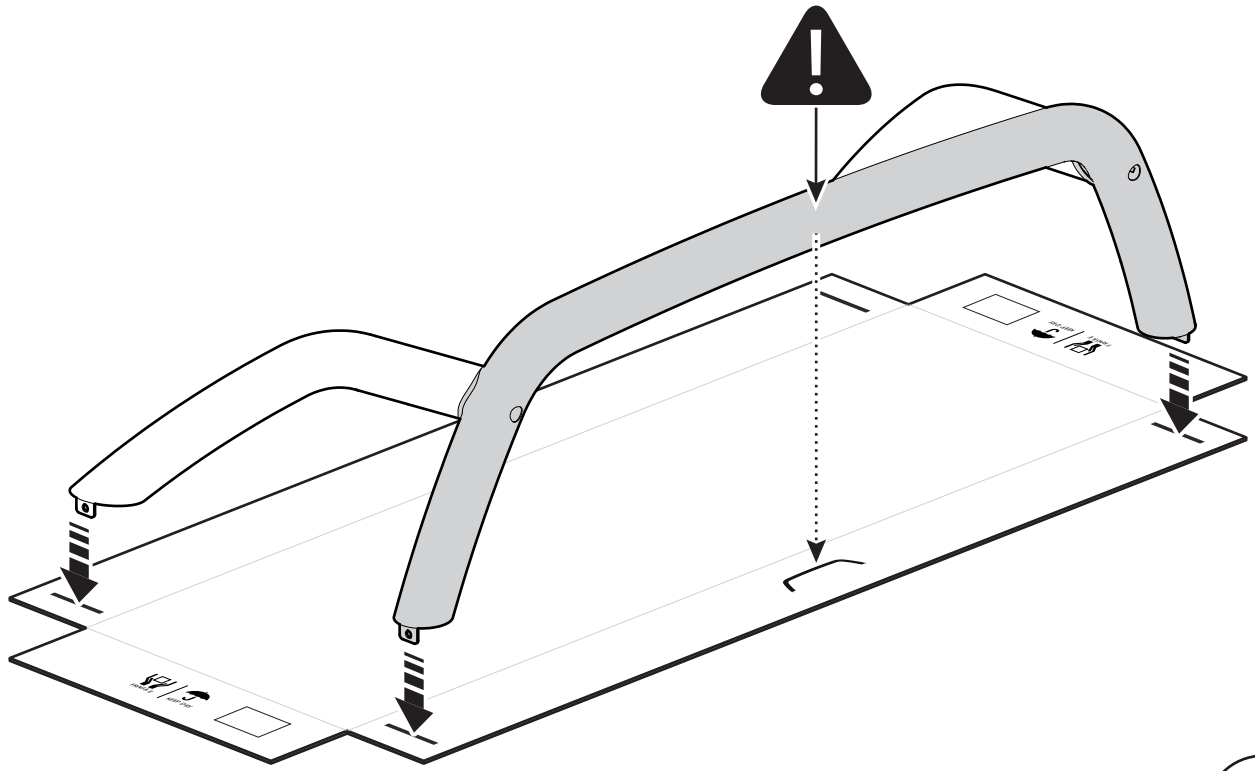
6

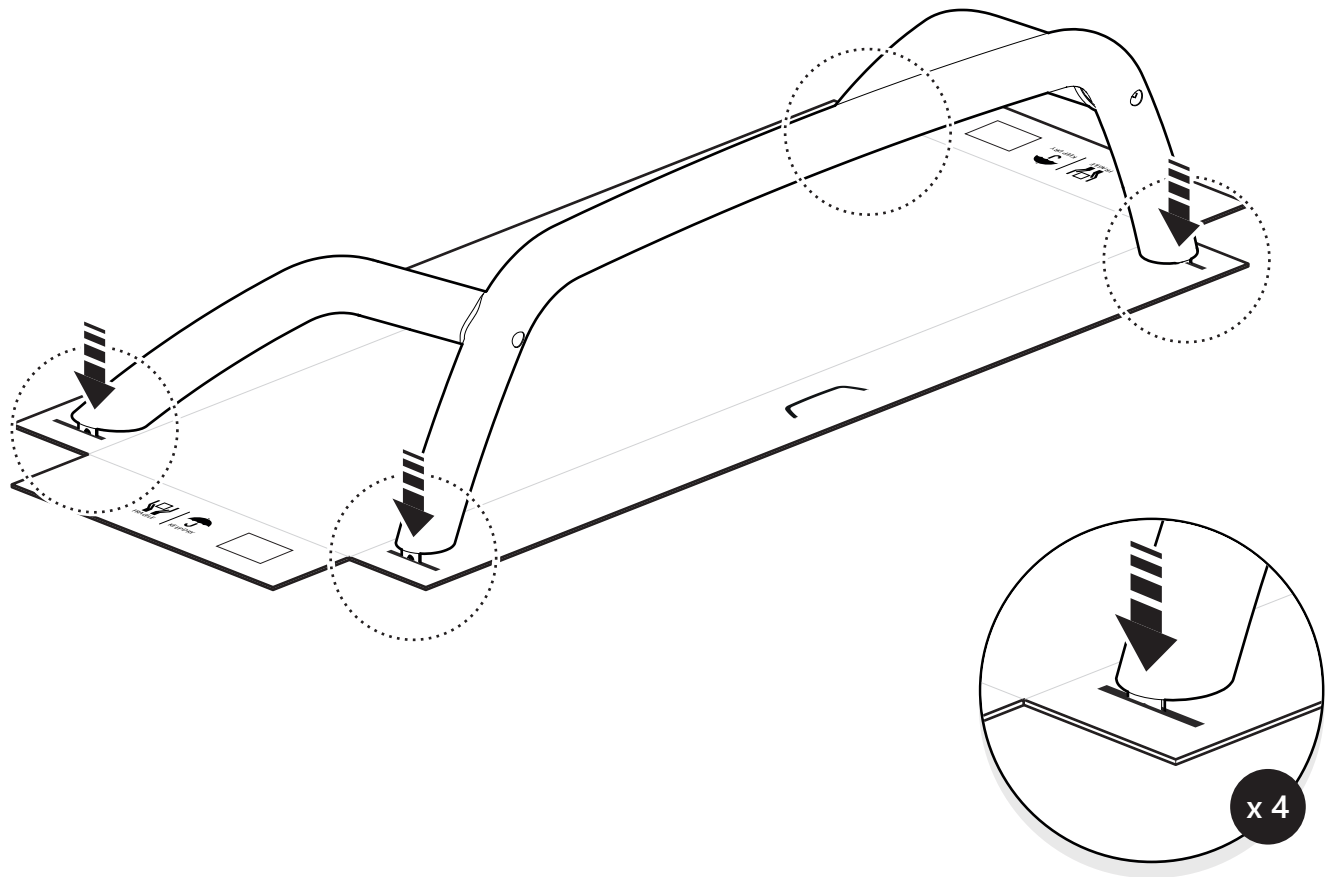




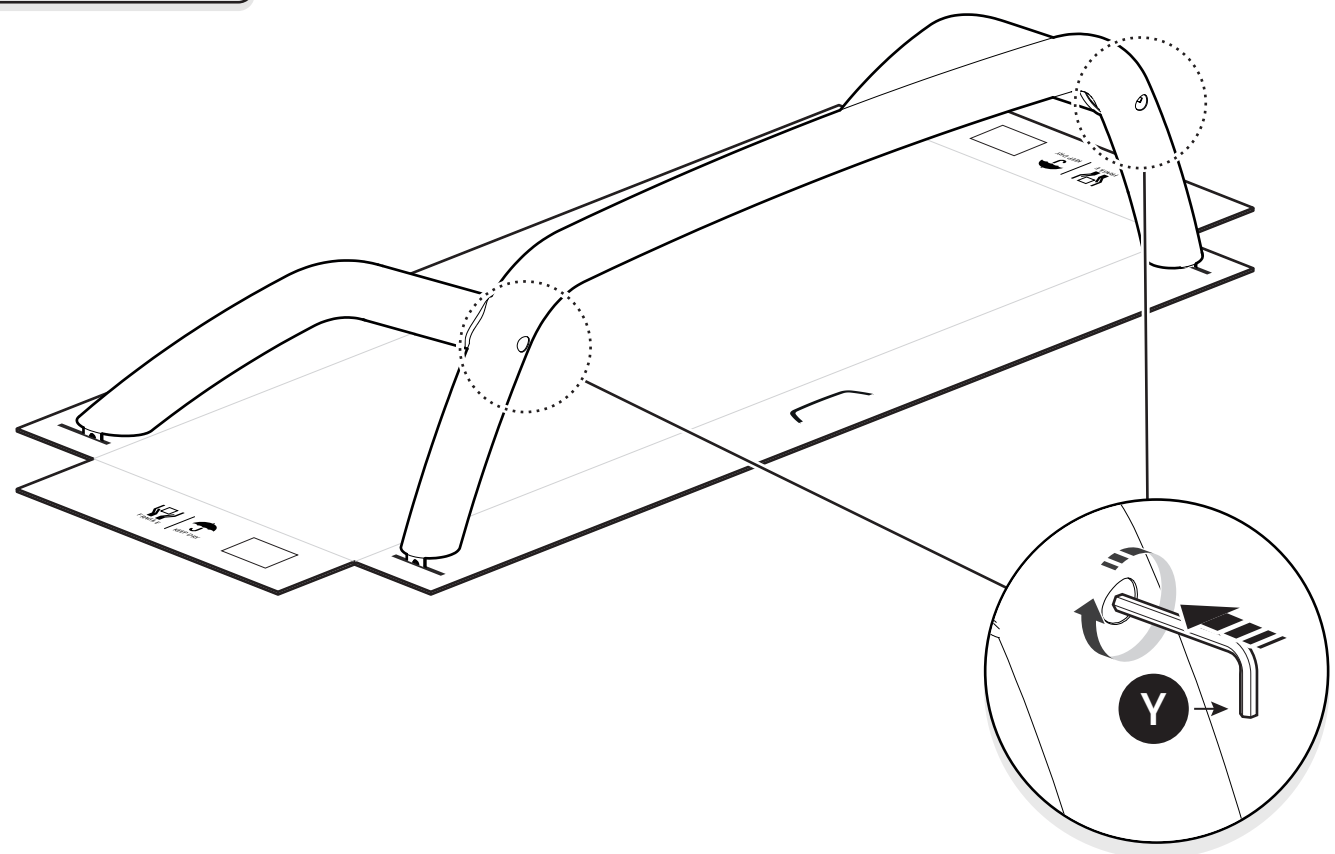
6mm

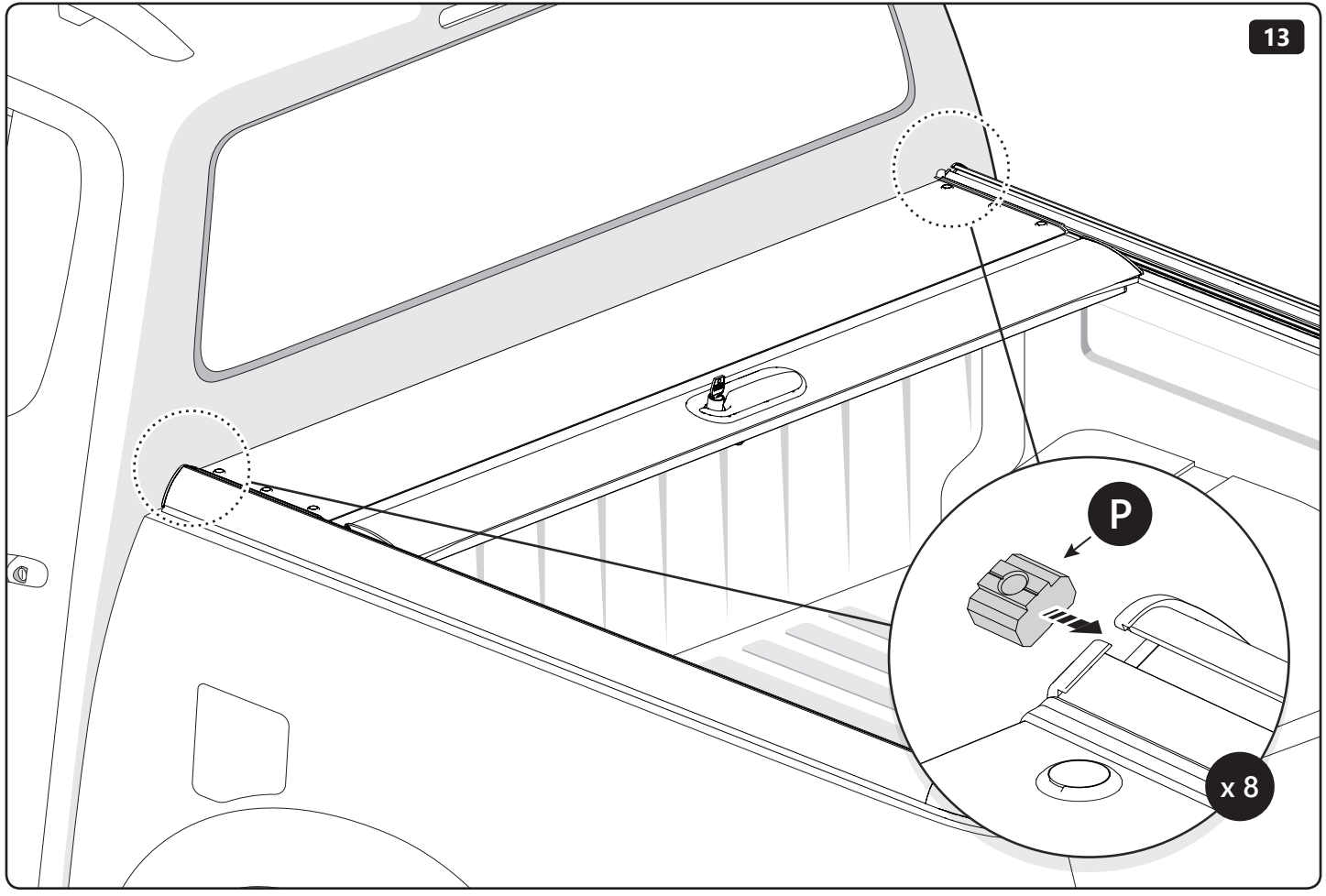
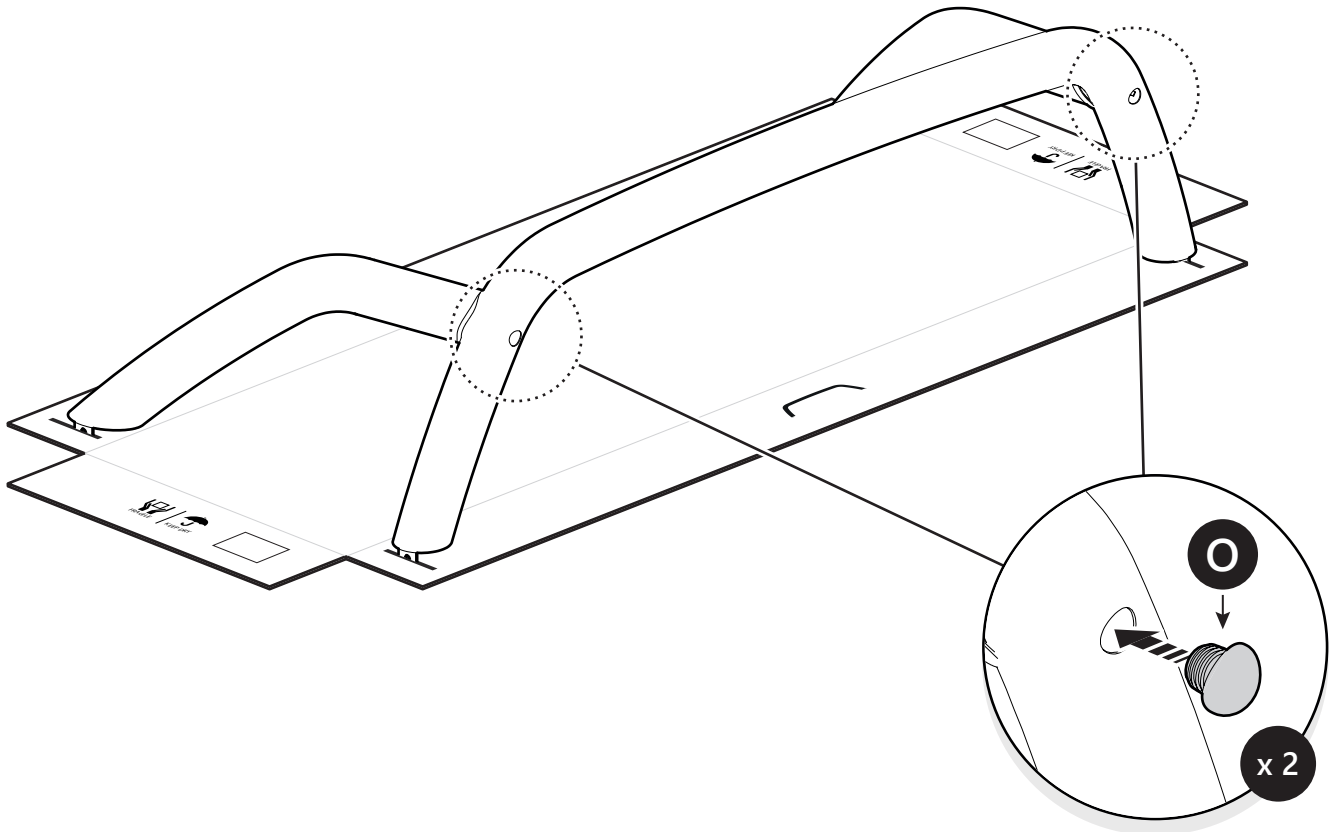


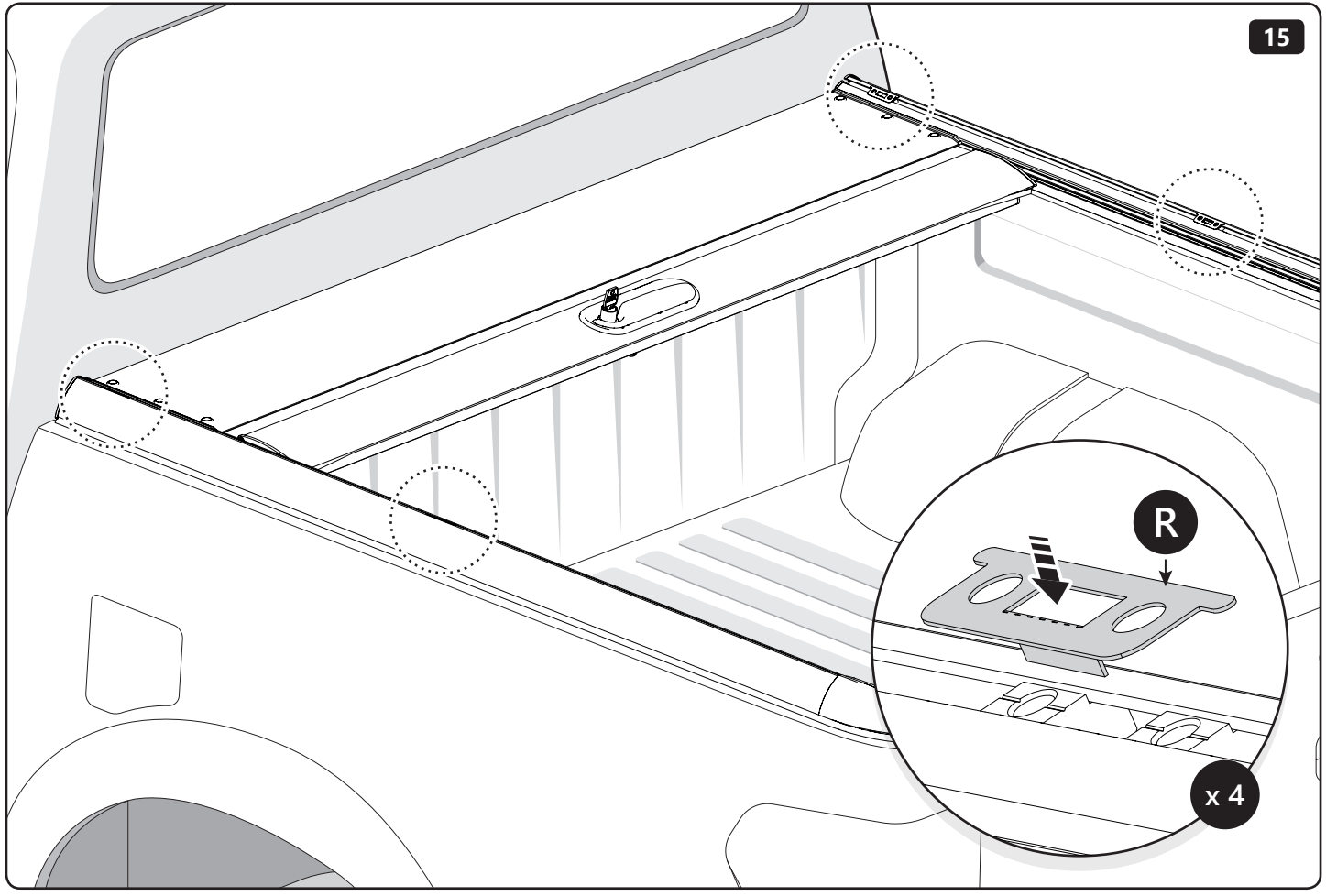
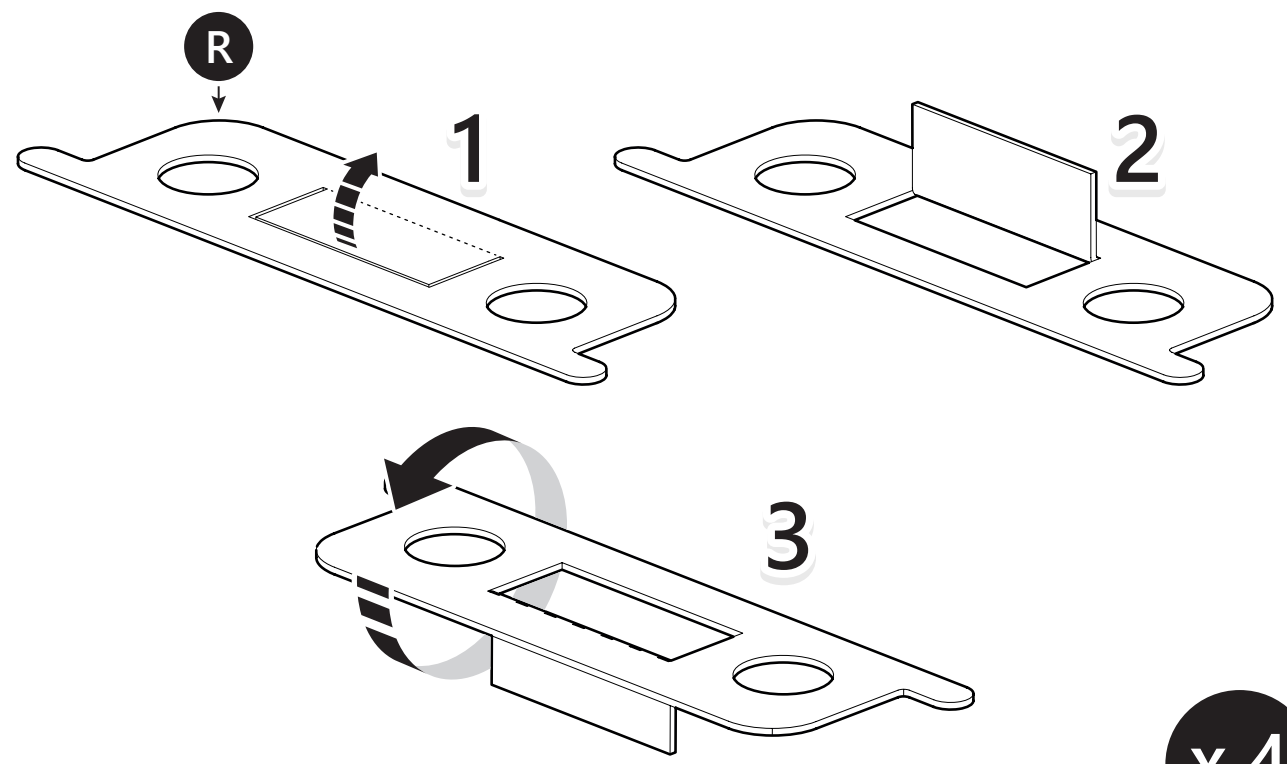


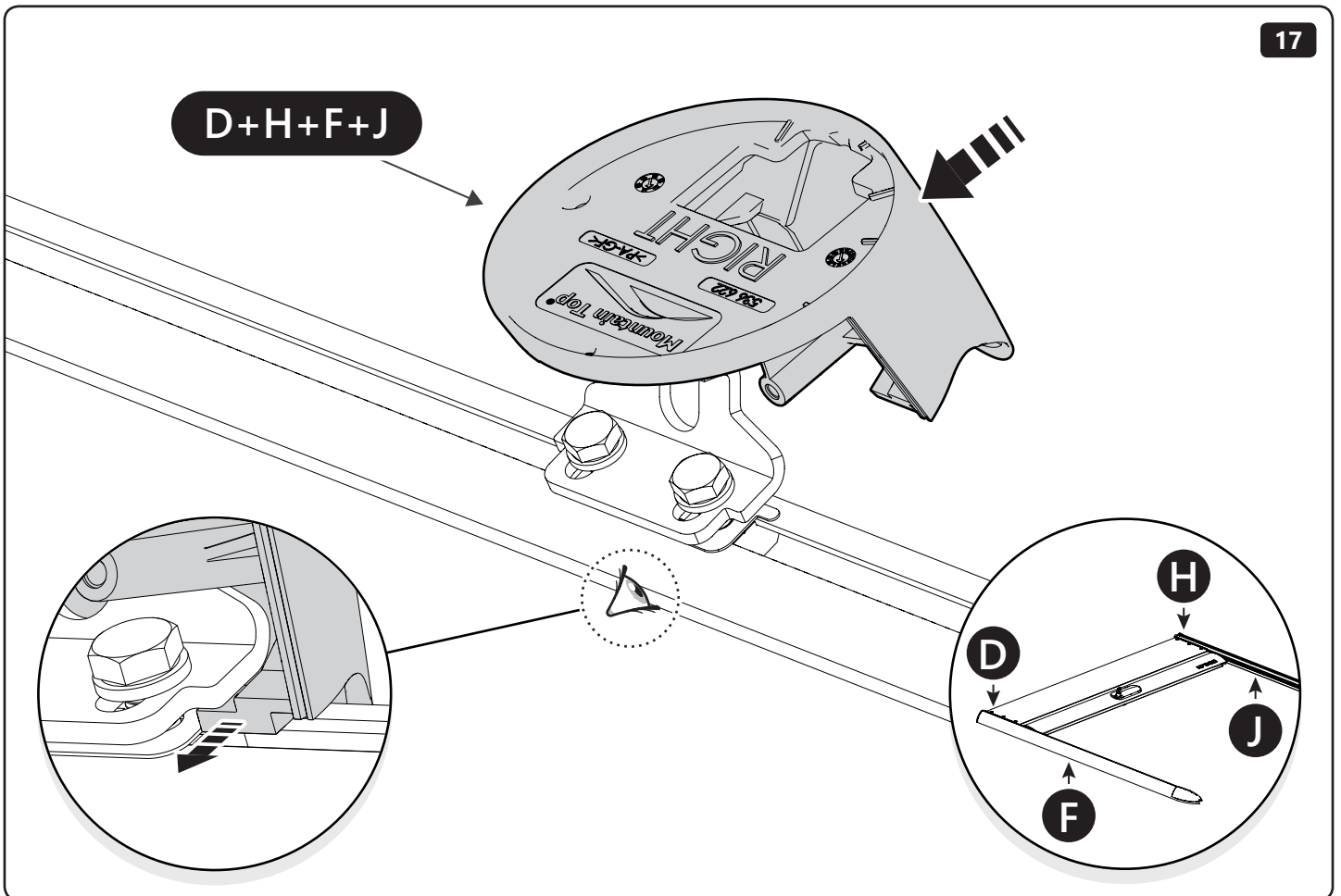
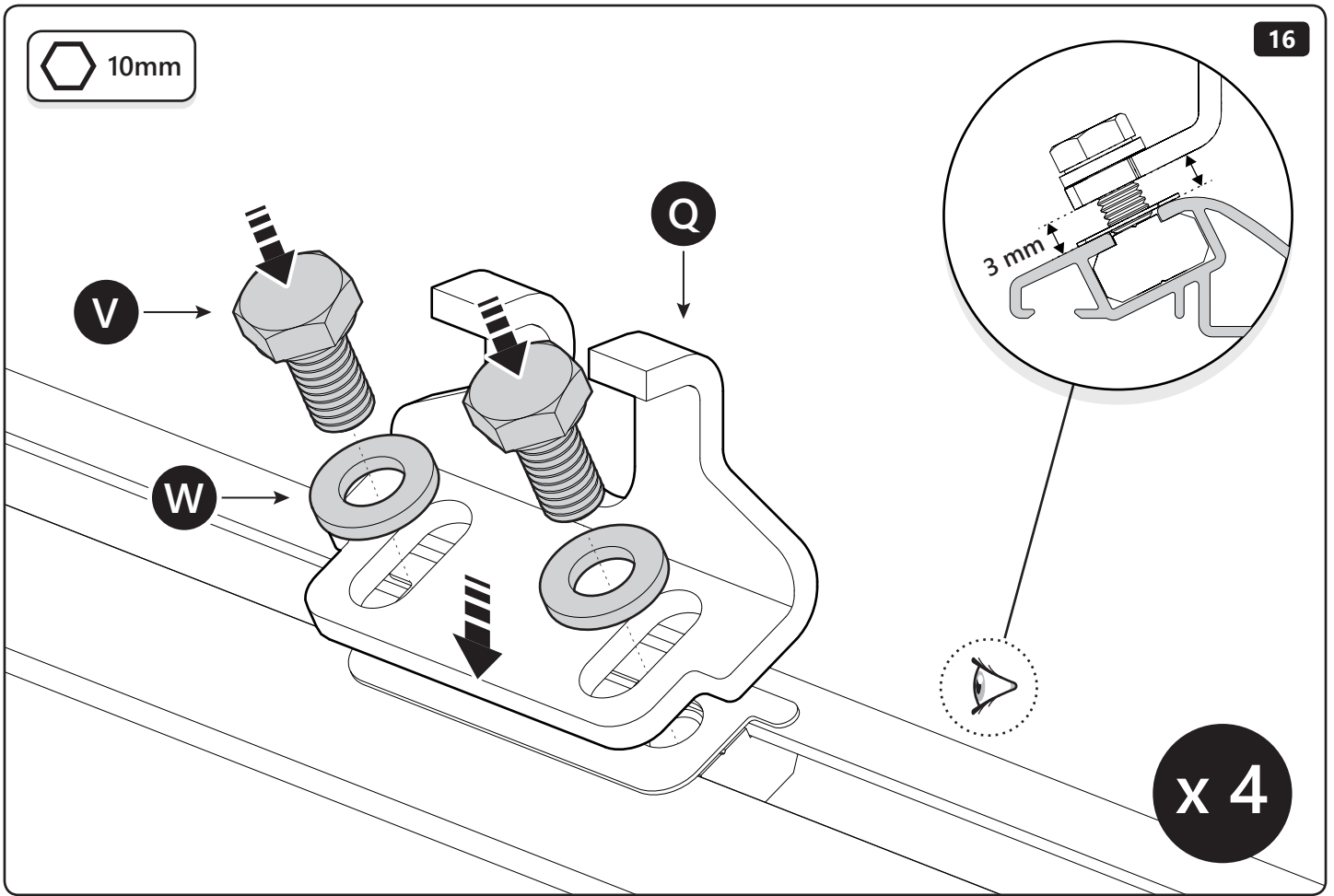


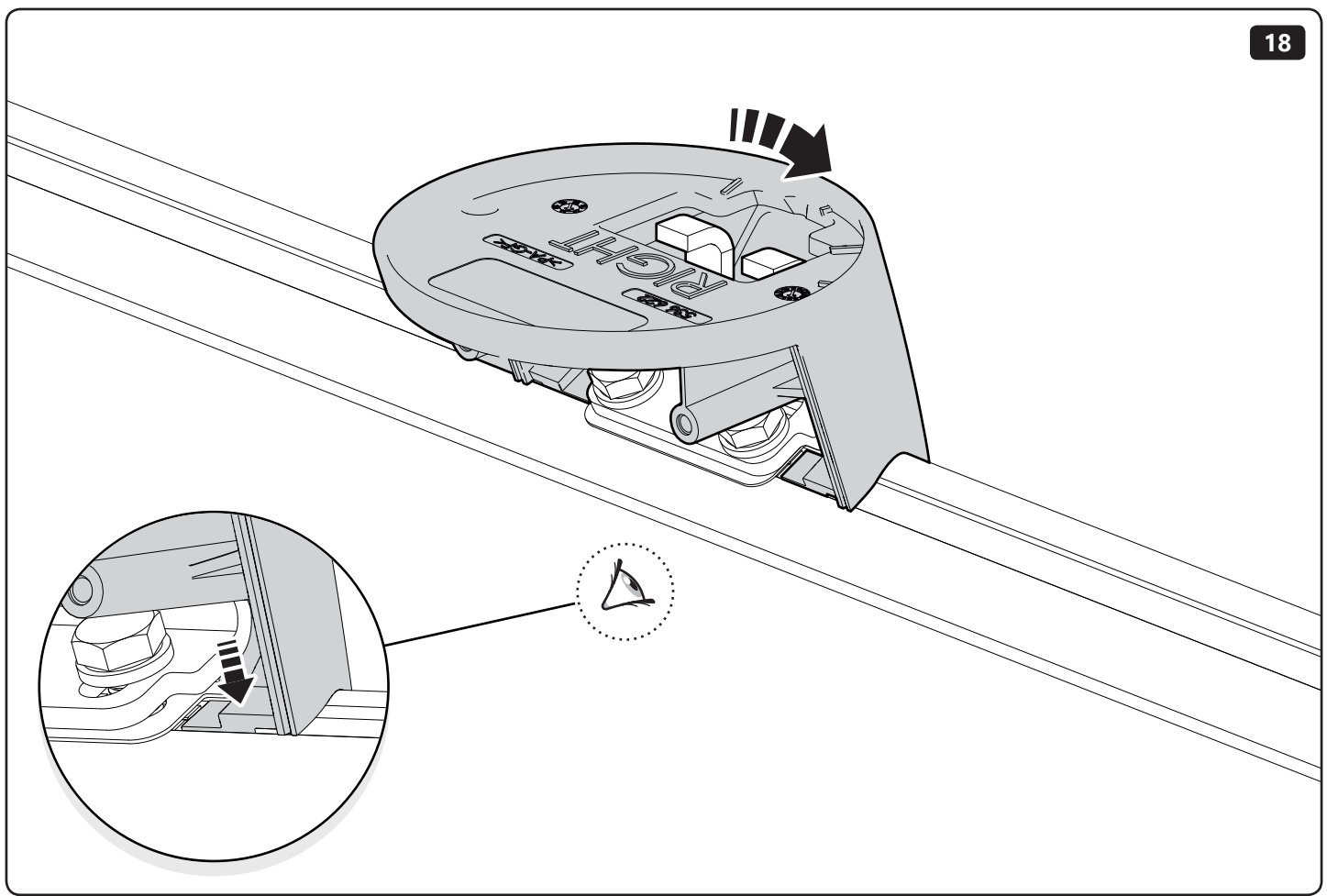
 6mm **23Nm**



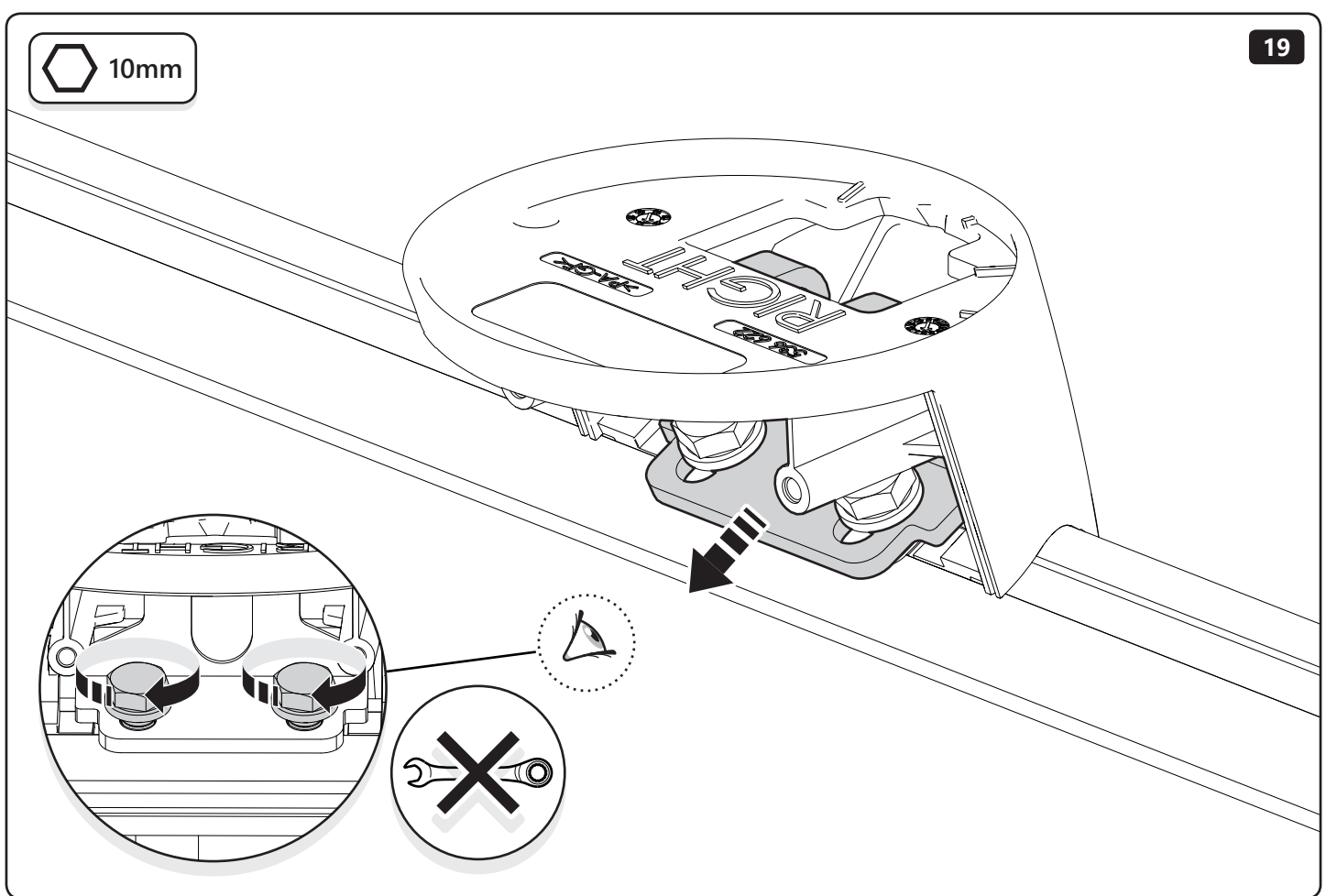


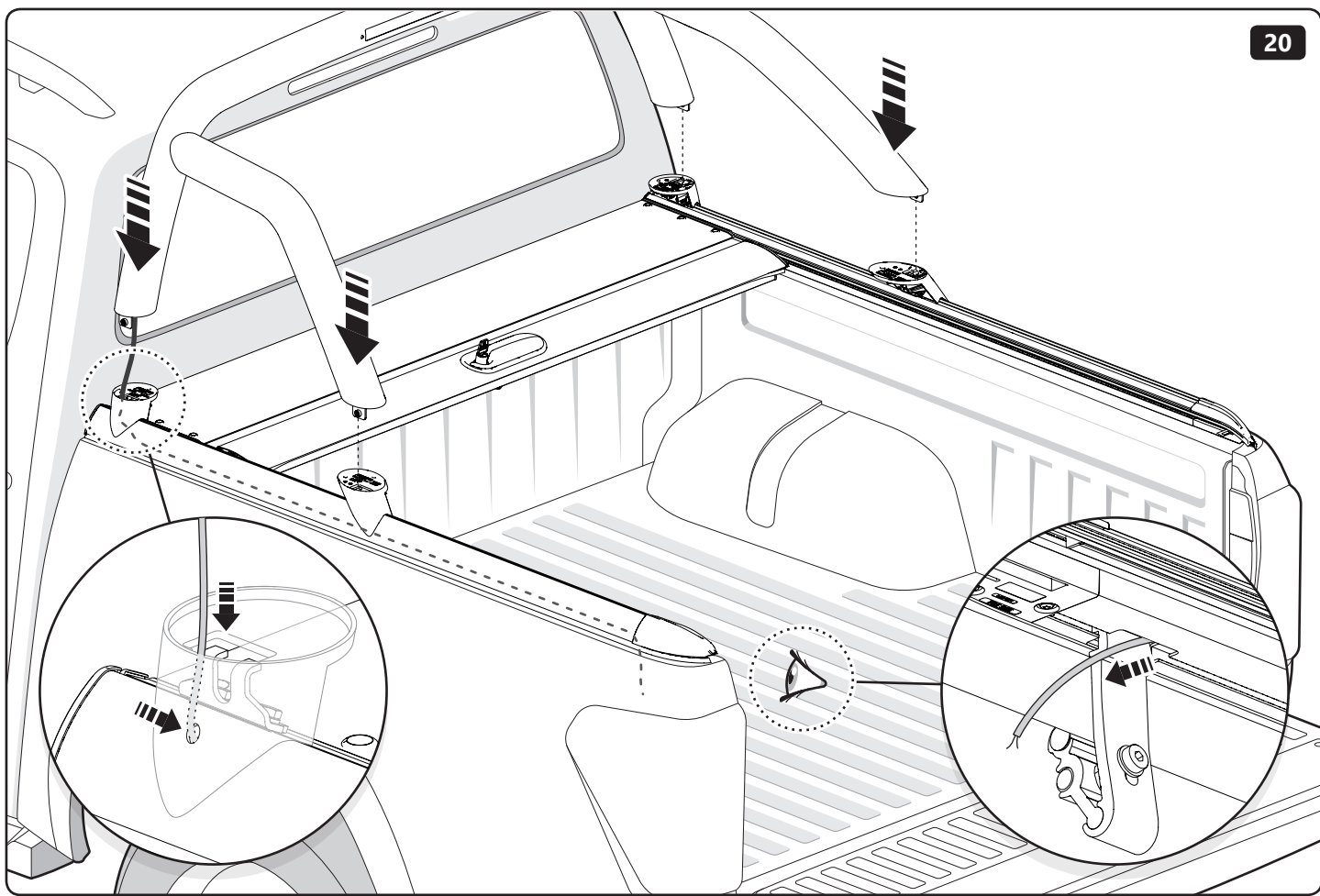




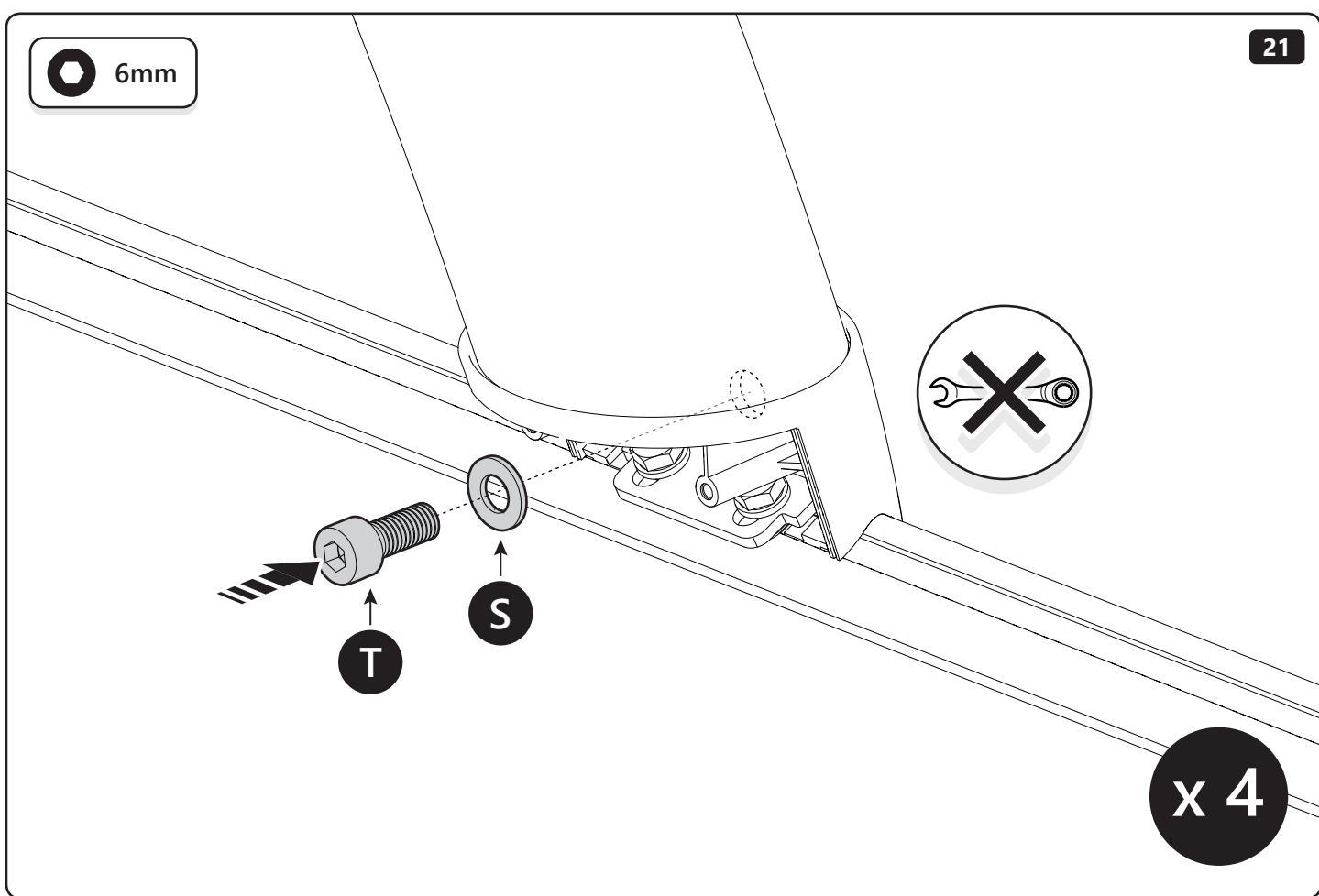


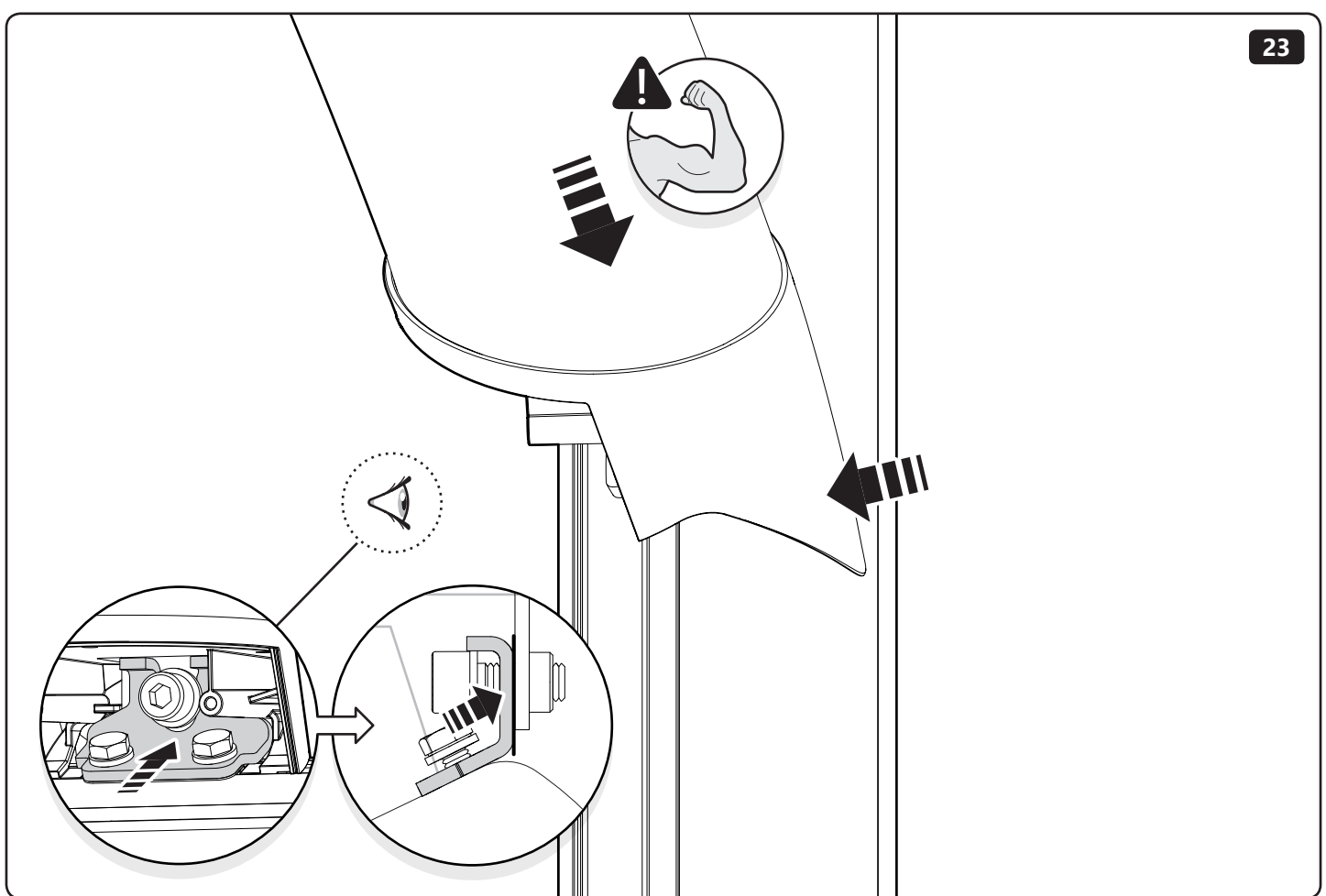
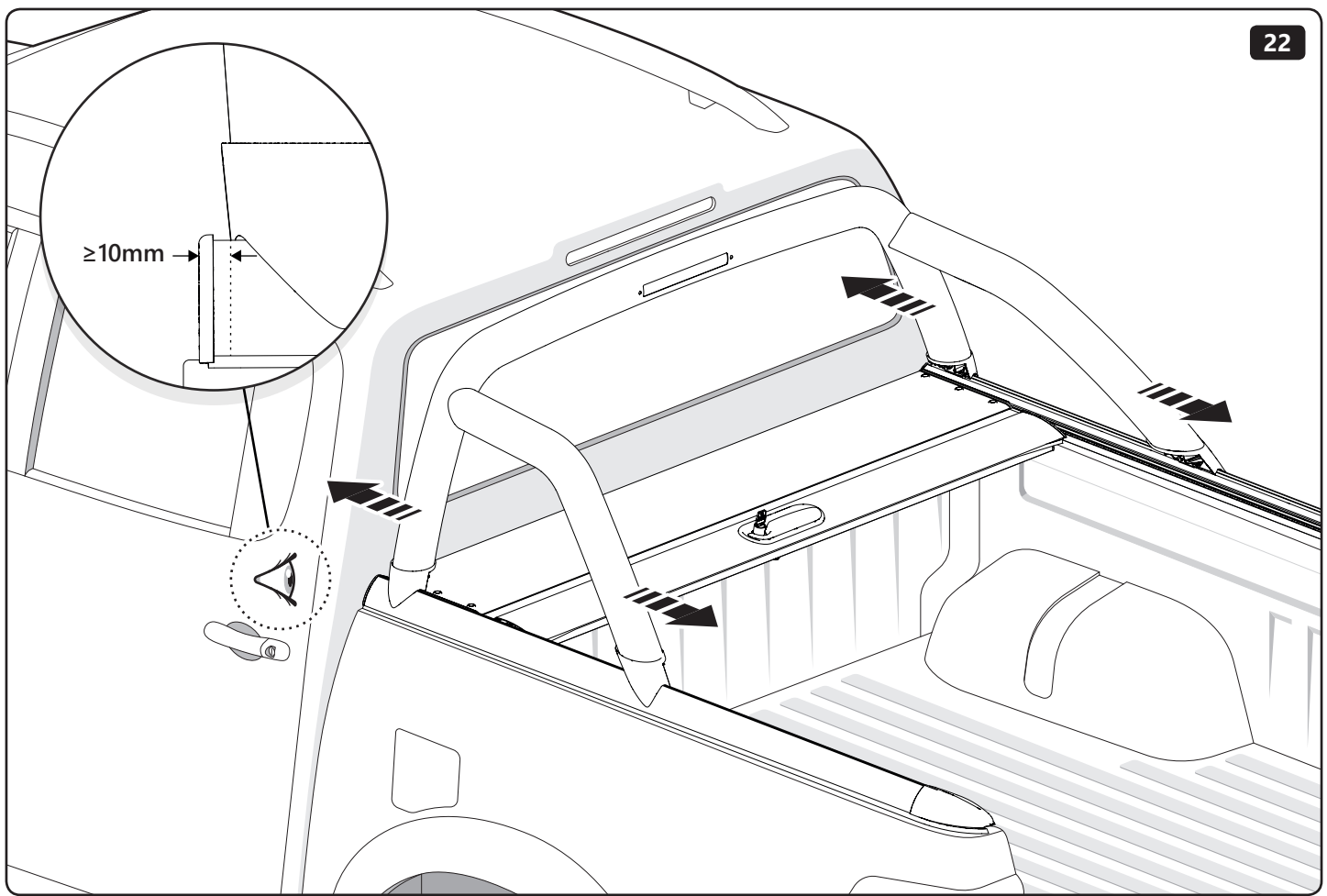
10mm

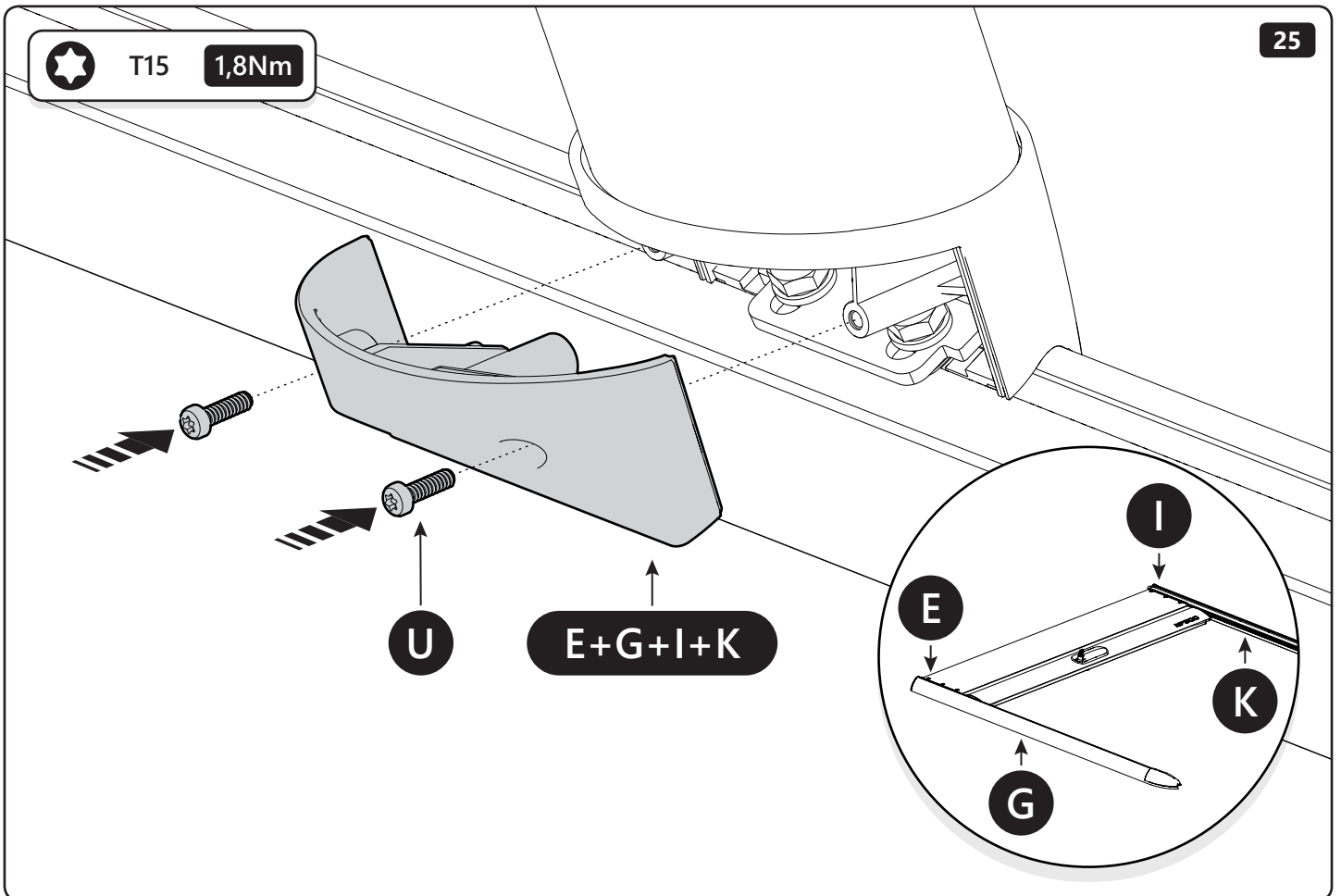
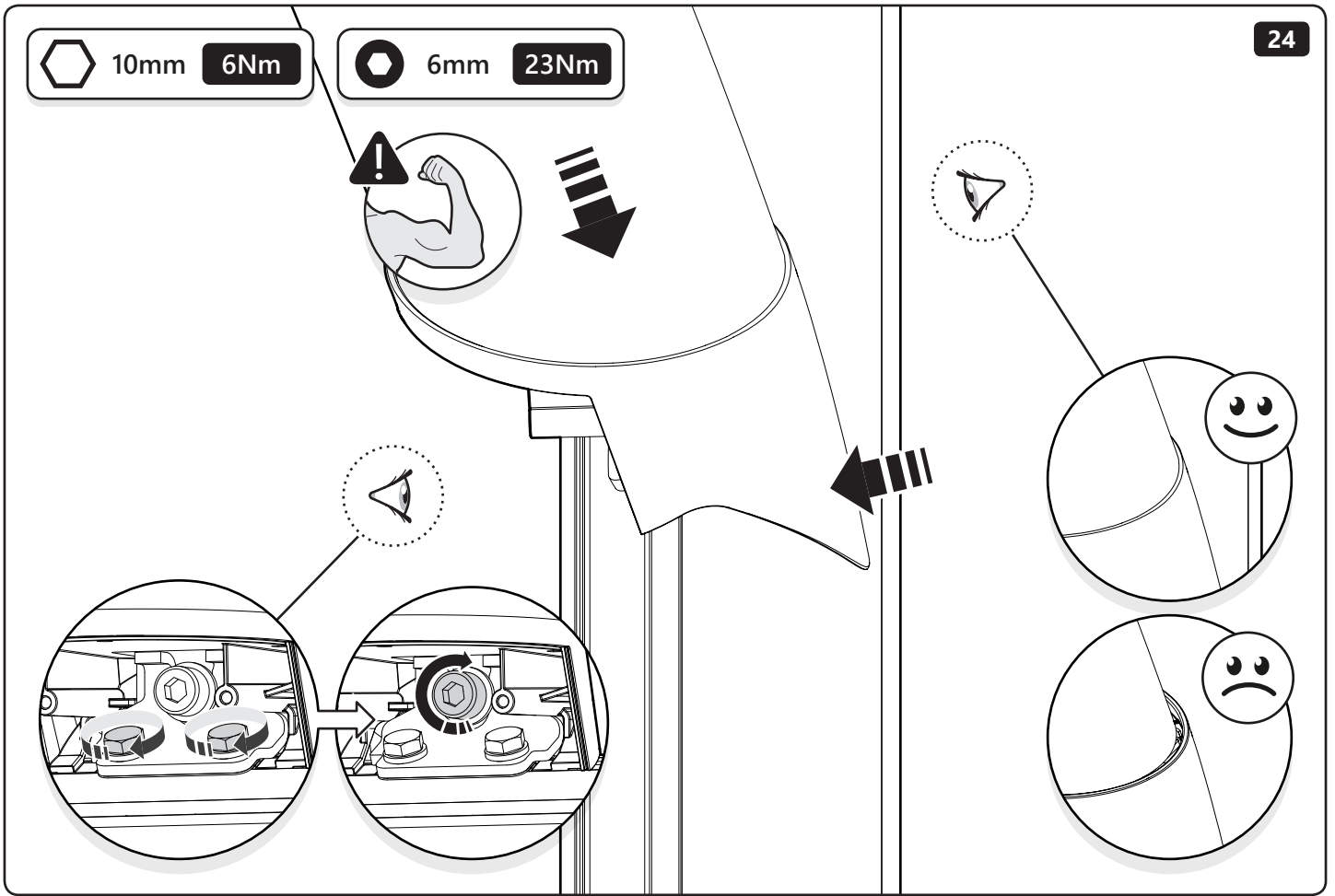


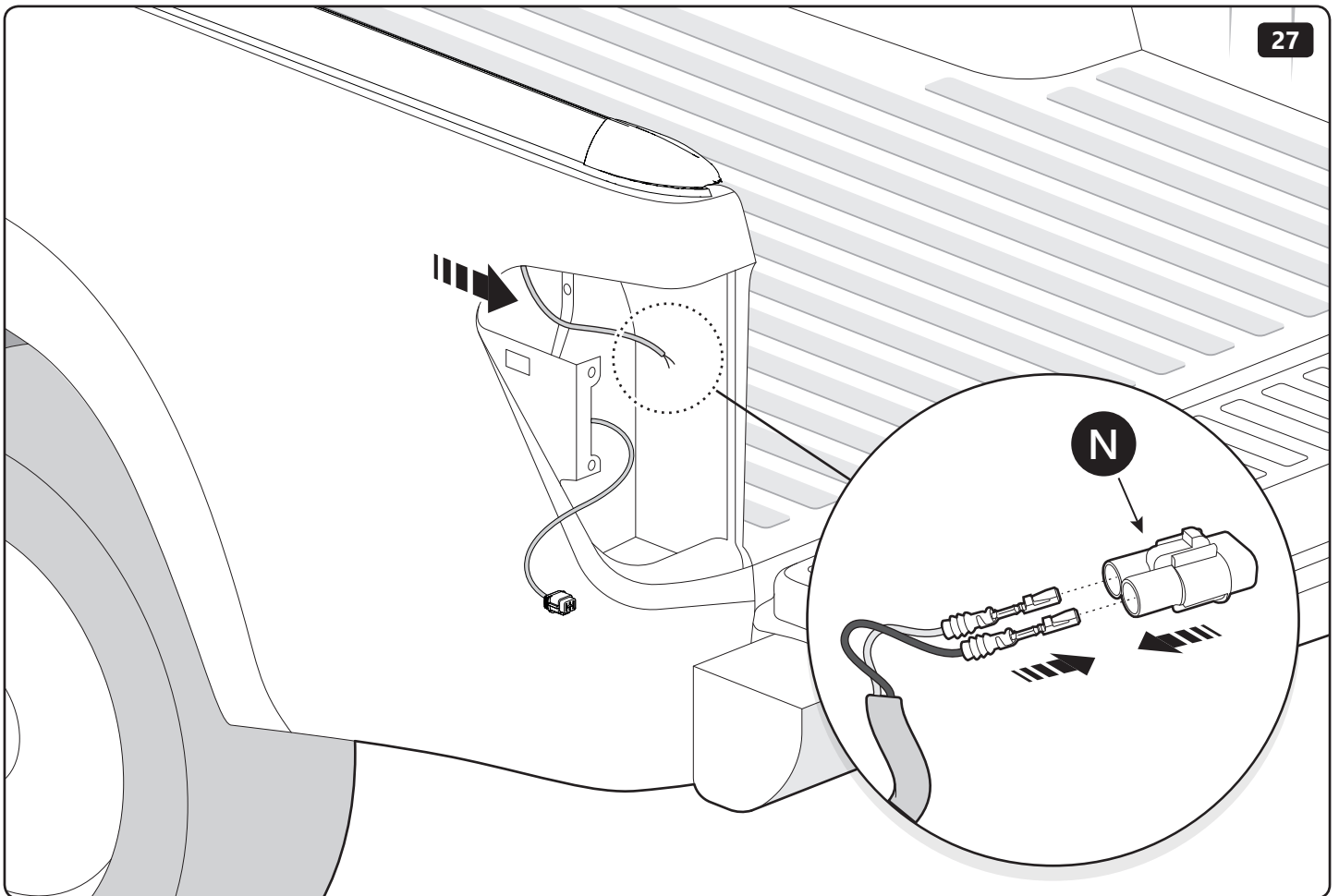
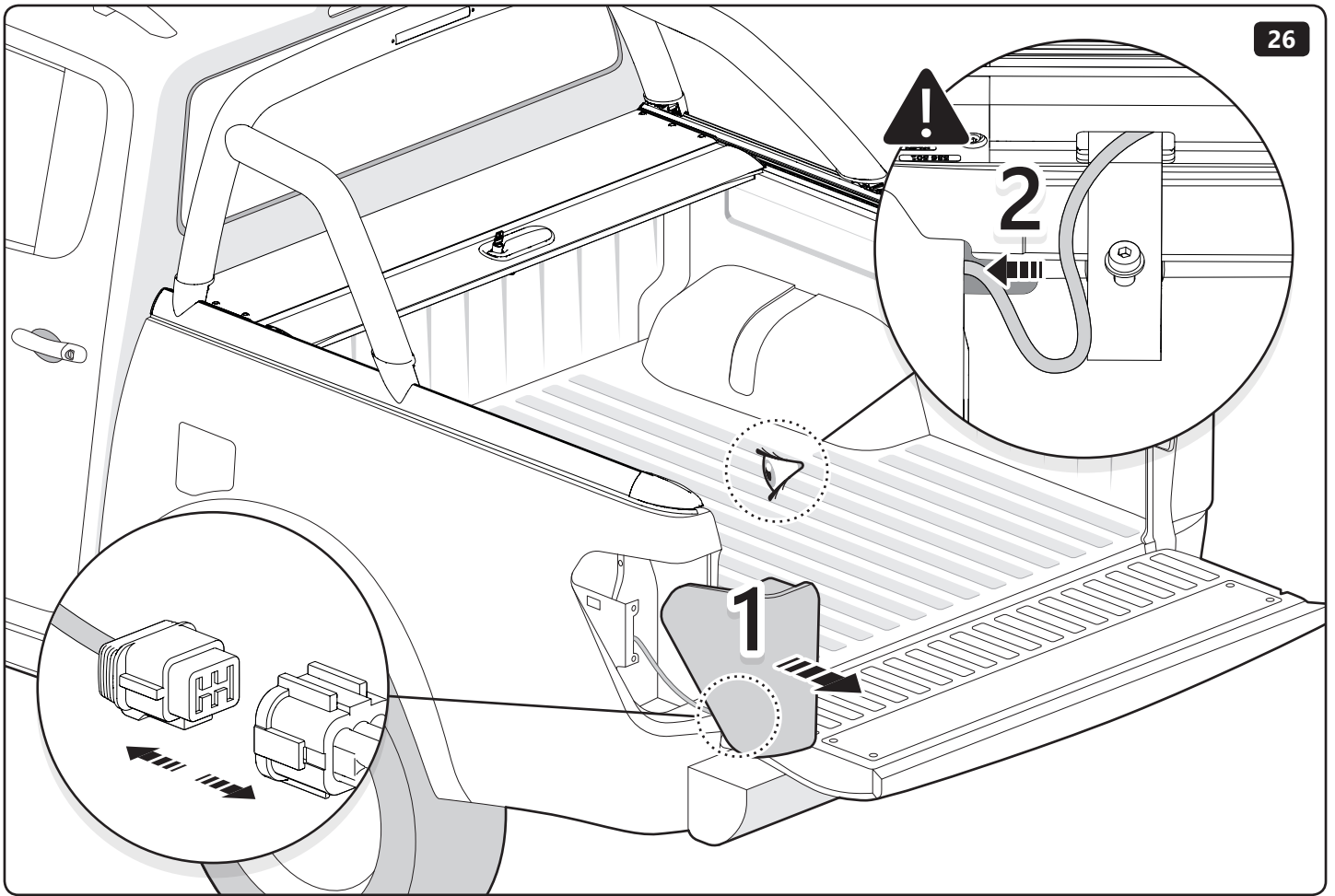


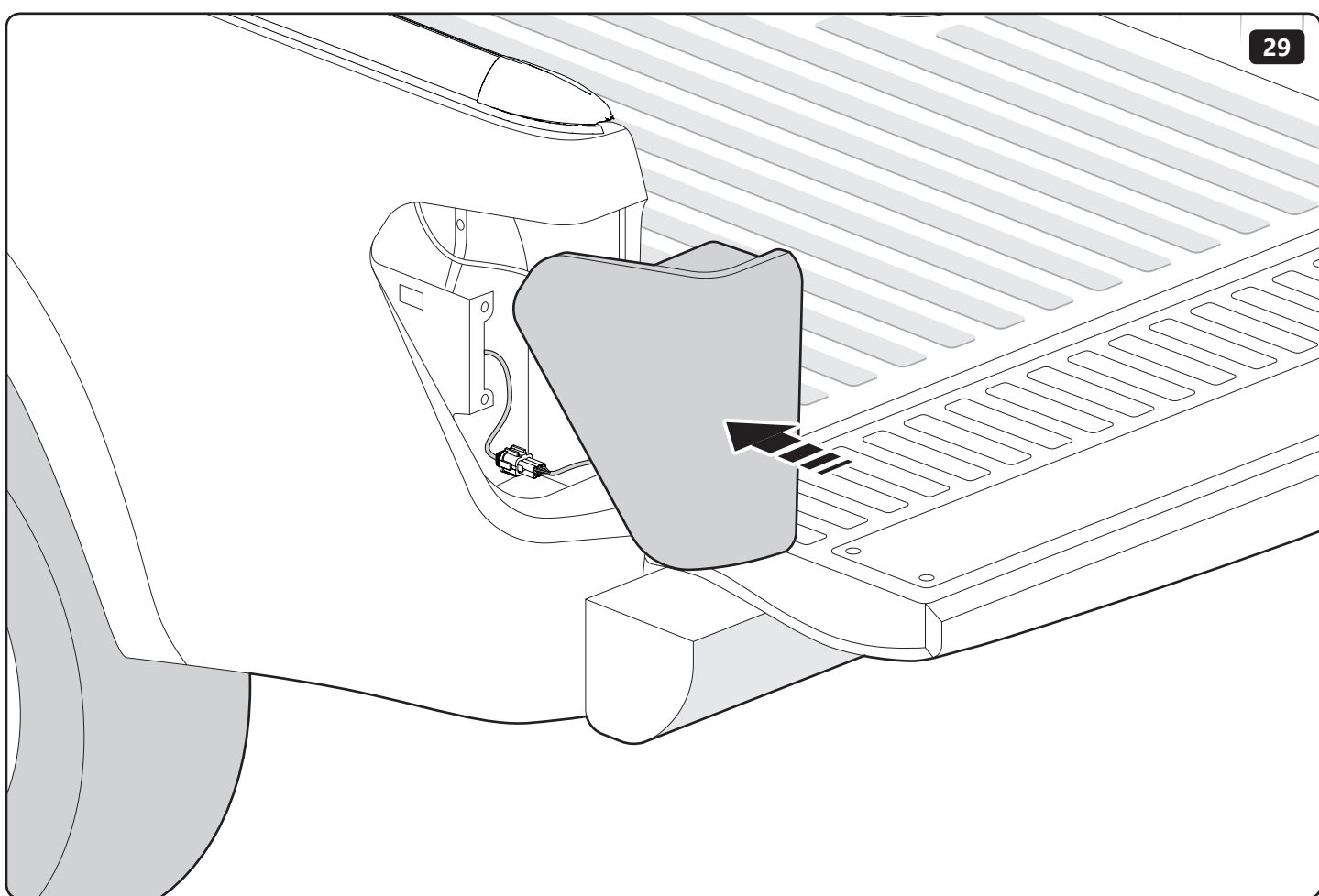
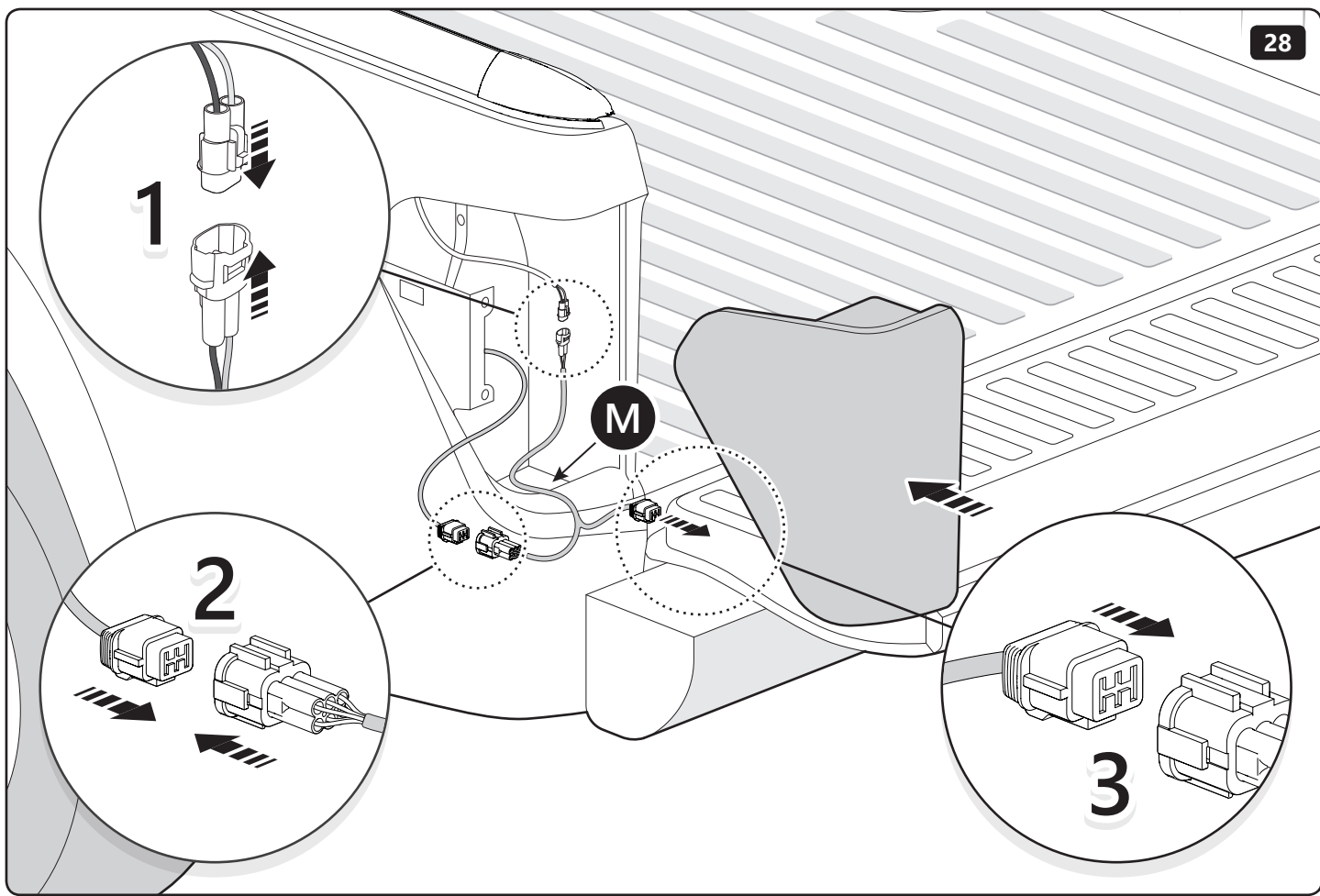
6mm

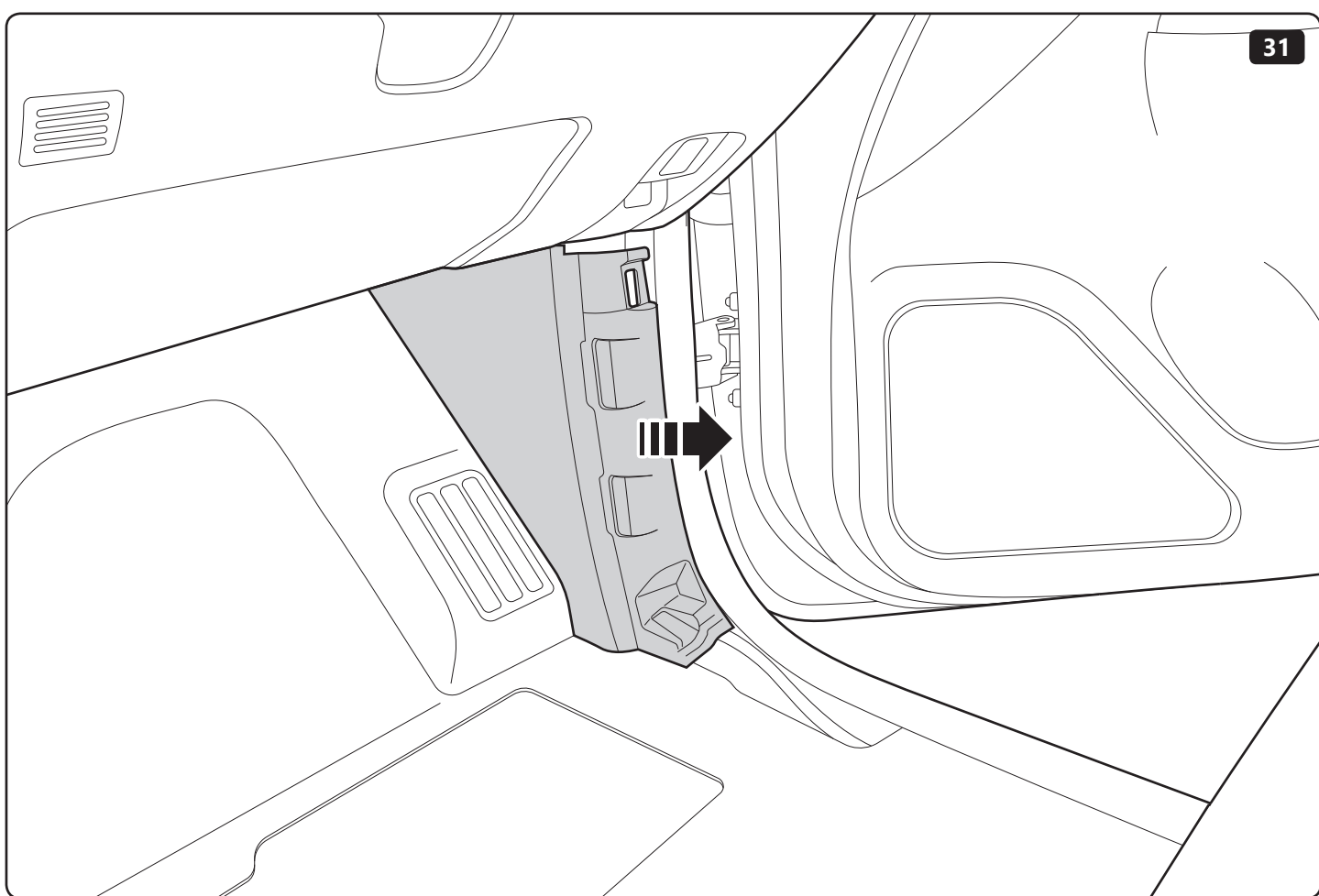
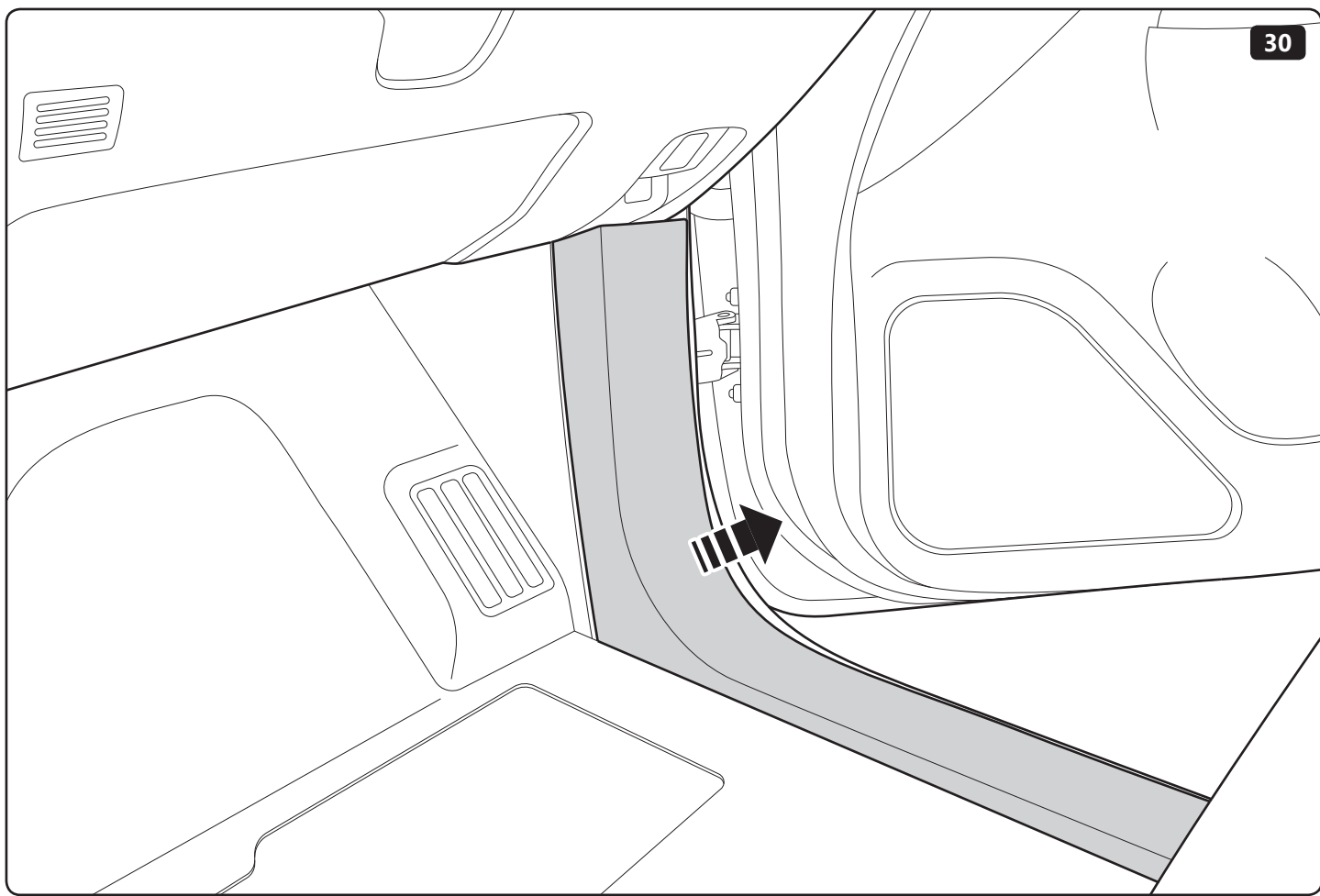


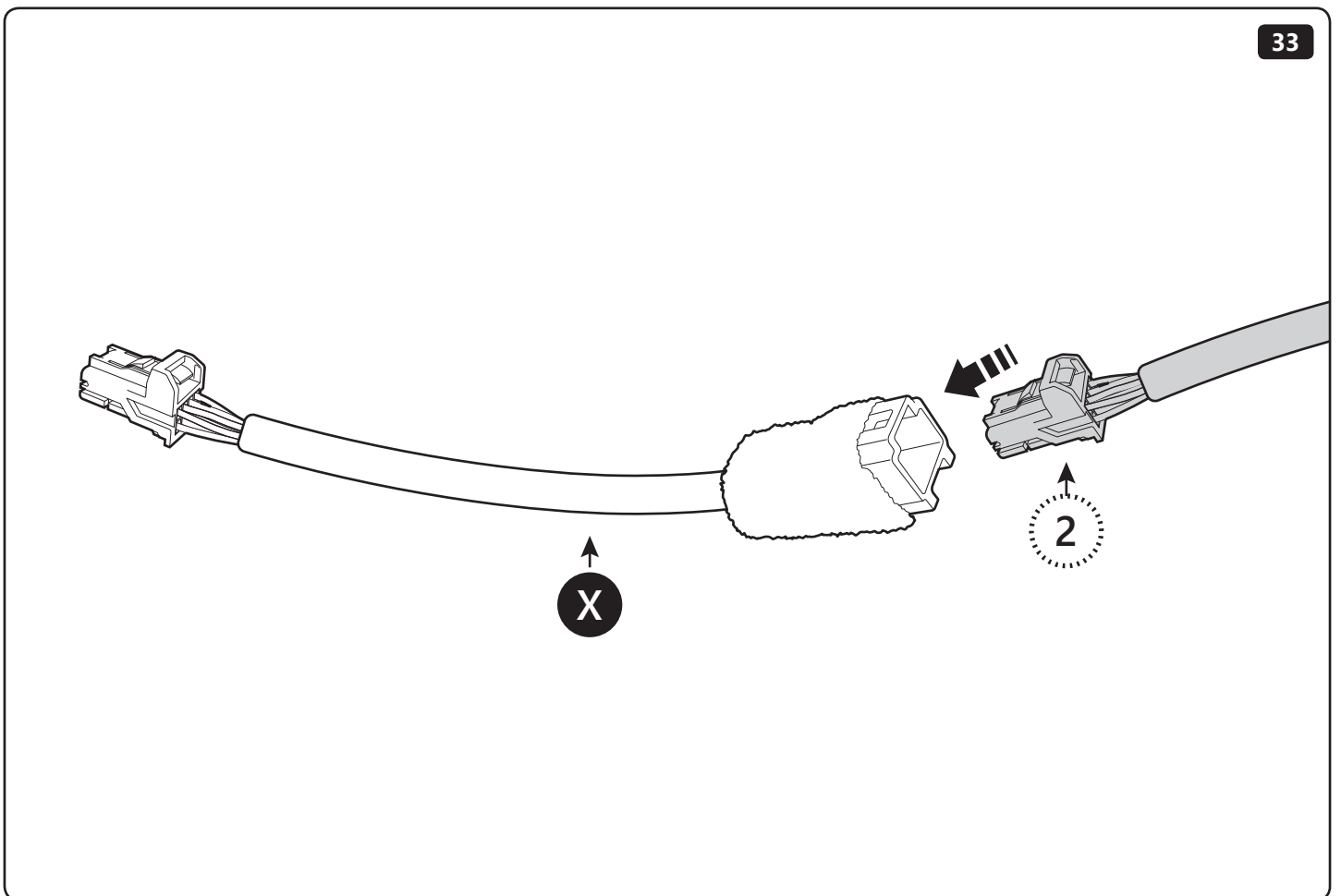
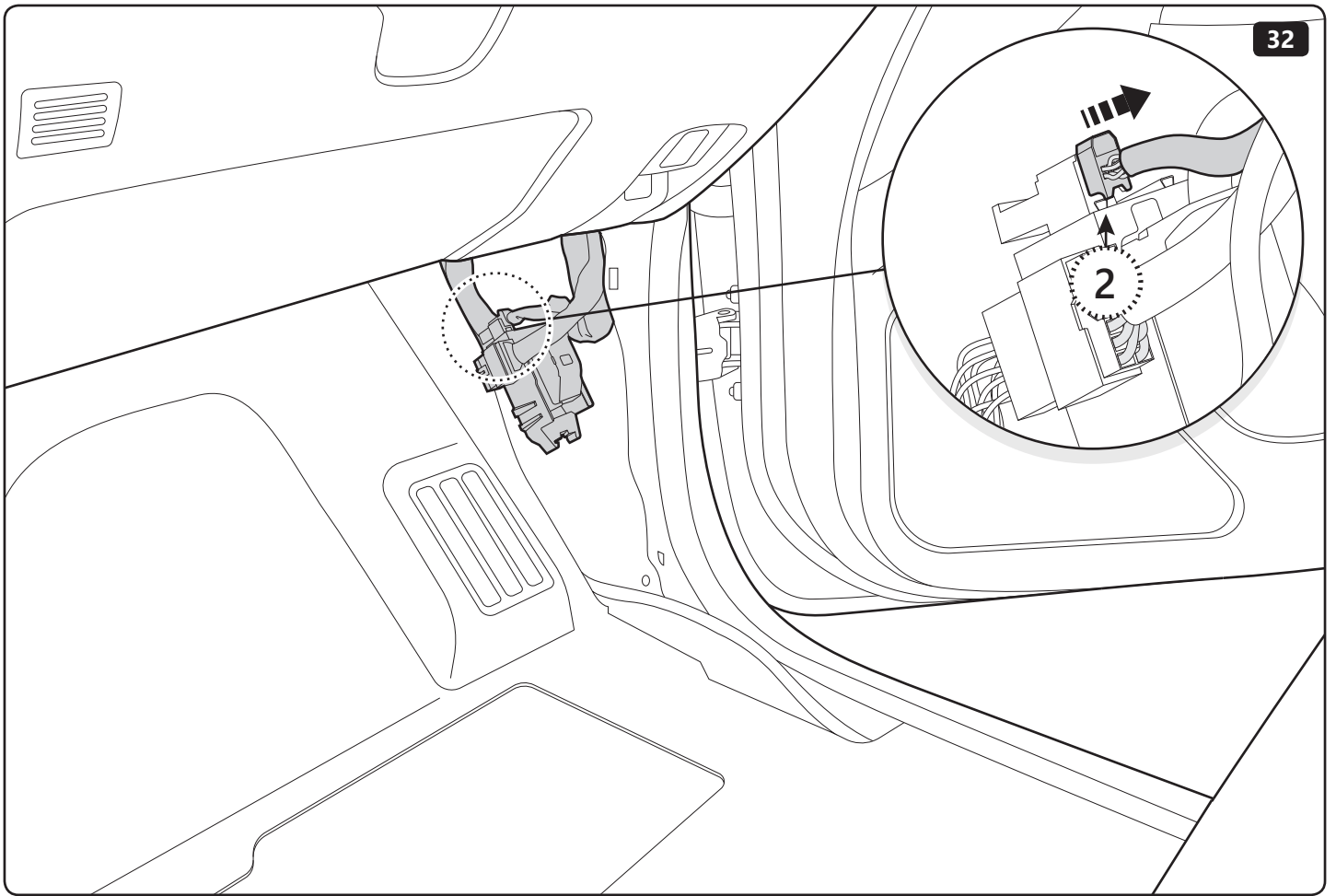


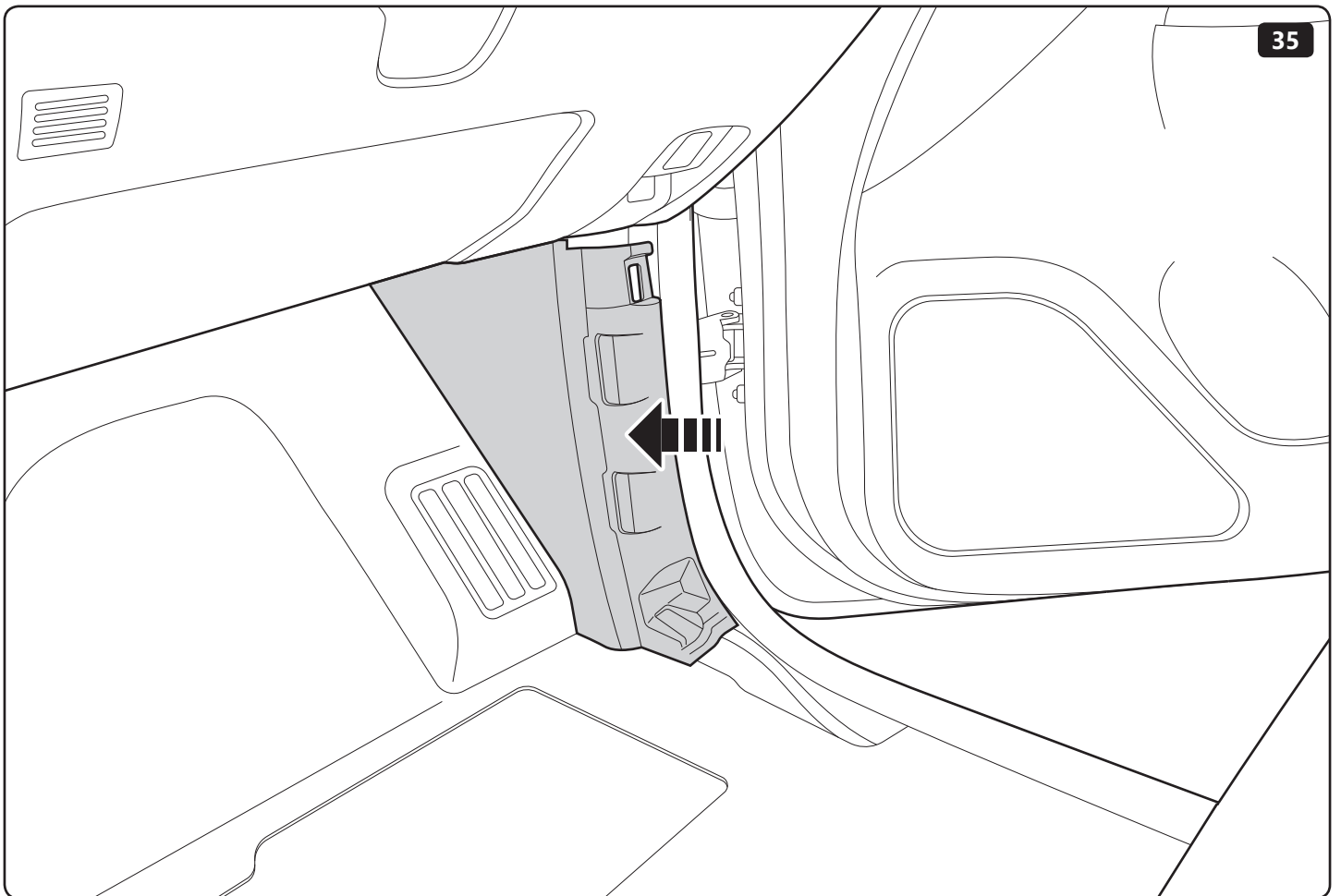
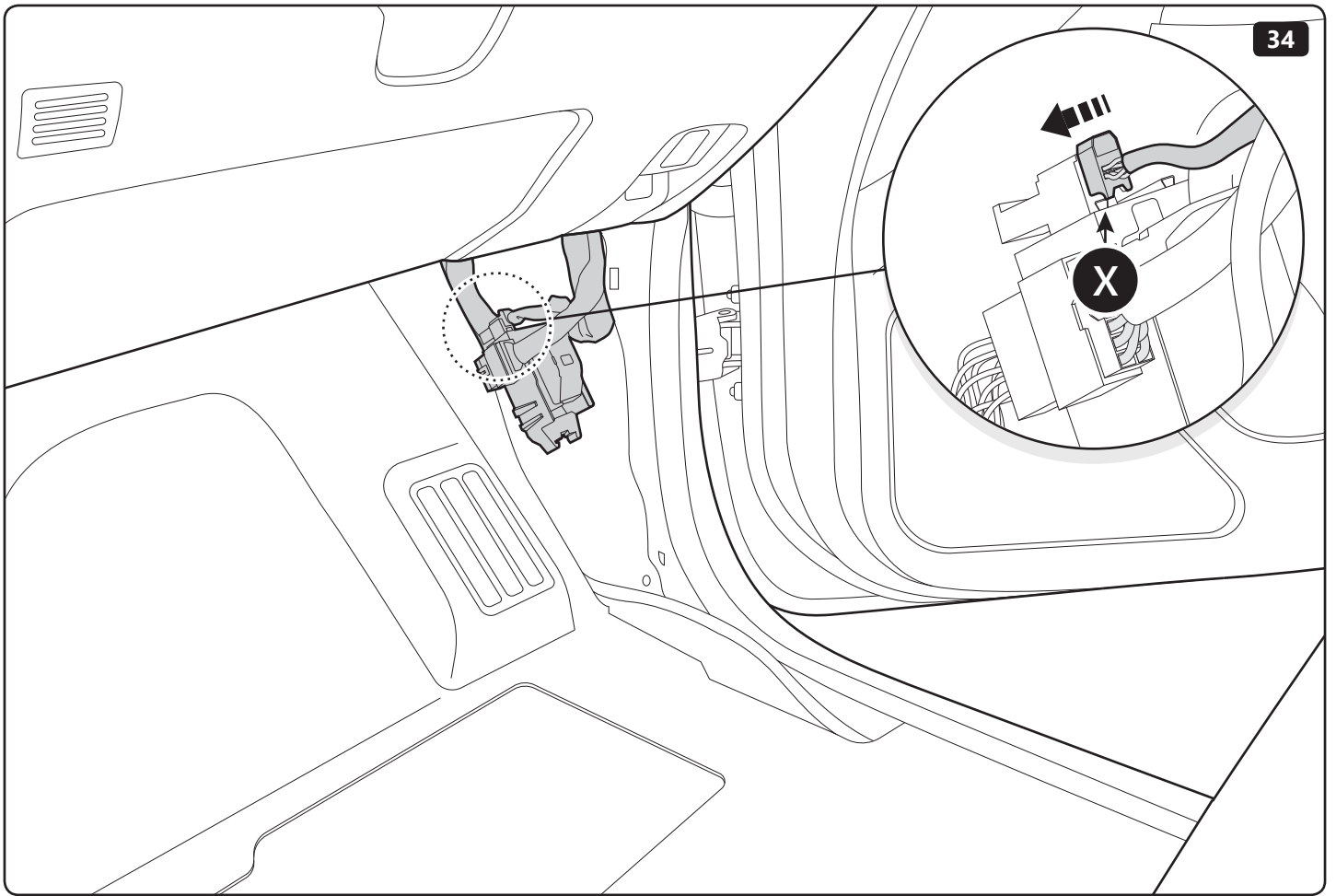


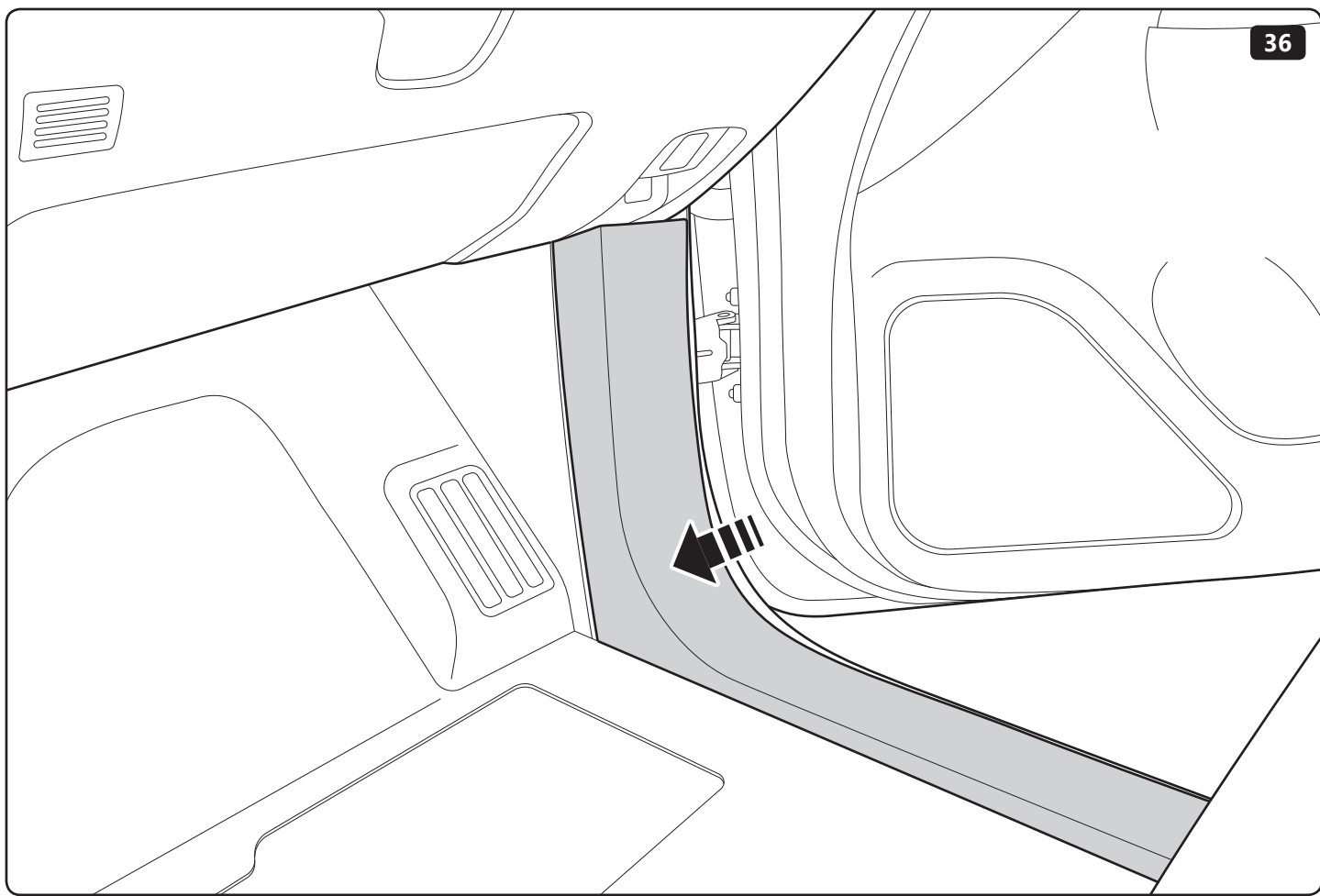














Customer Service +45 4810 2950 (08:00 - 16:00 CET)
Fax +45 4810 2960
Support info@mountaintop.dk
Website www.mountaintop.dk
Address Pedersholmparken 10, 3600 Frederikssund, Denmark

PART NUMBER(S)	MODEL / YEAR	CAB TYPE(S)	INSTALLATION TIME	WEIGHT
SB MB90	Mercedes Benz / 2017 →	Double	2 hour(s)	10 Kg

GB Installation manual	S Monteringsanvisning	D Einbauanleitung
SF Asennusohje	E Instrucciones de montaje	CZ Návod k instalaci
F Notice de montage	H Szerelési utasítás	I Istruzioni de montaggio
PL Instrukcja montażu	P Instruções de instalação	GR Οδηγίες Εγκατάστασης
NL Installatie-instructies	RUS Инструкция по установке	DK Monteringsvejledning
TR Montaj Talimatı	N Monteringsveiledning	RO Instructiuni de instalare