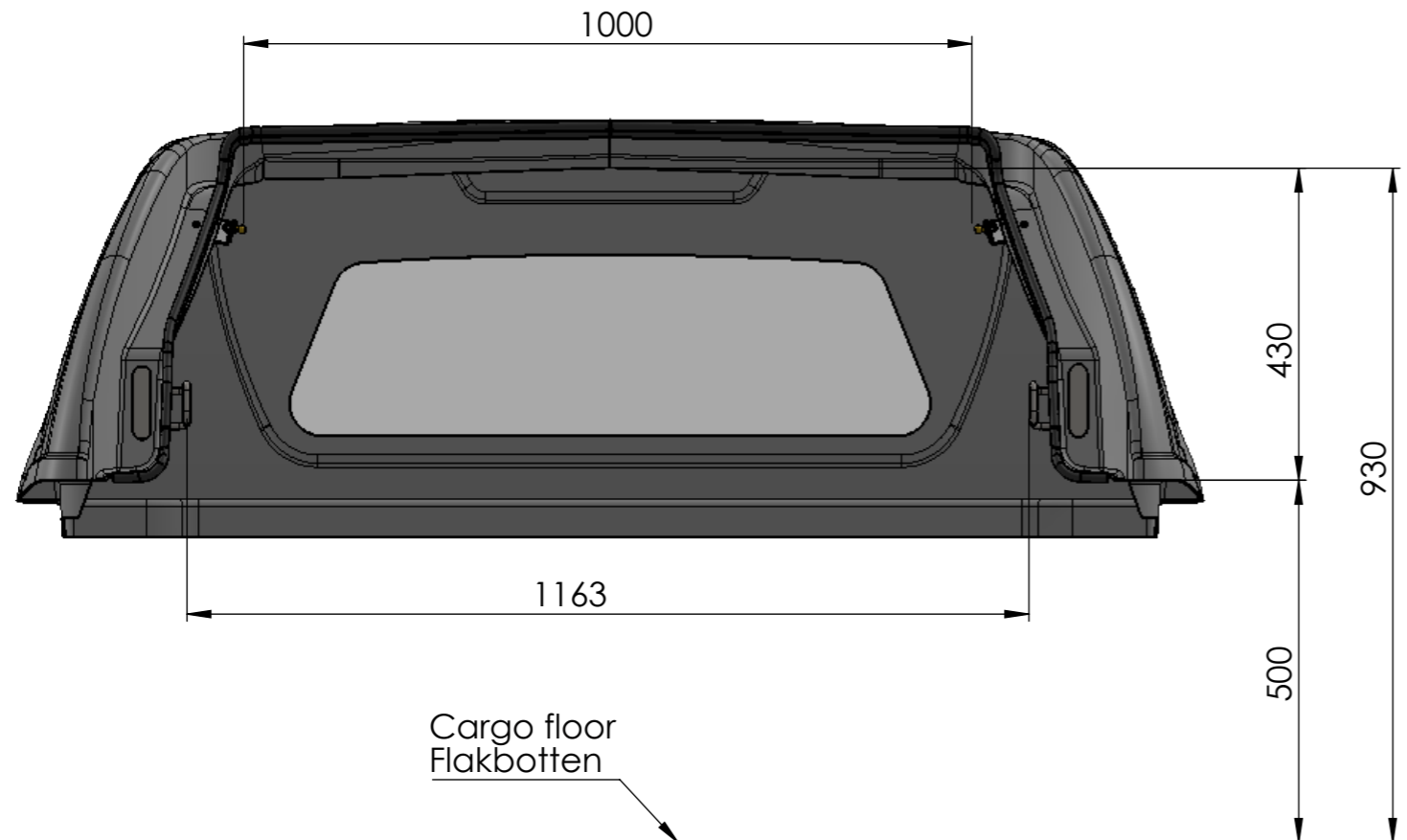
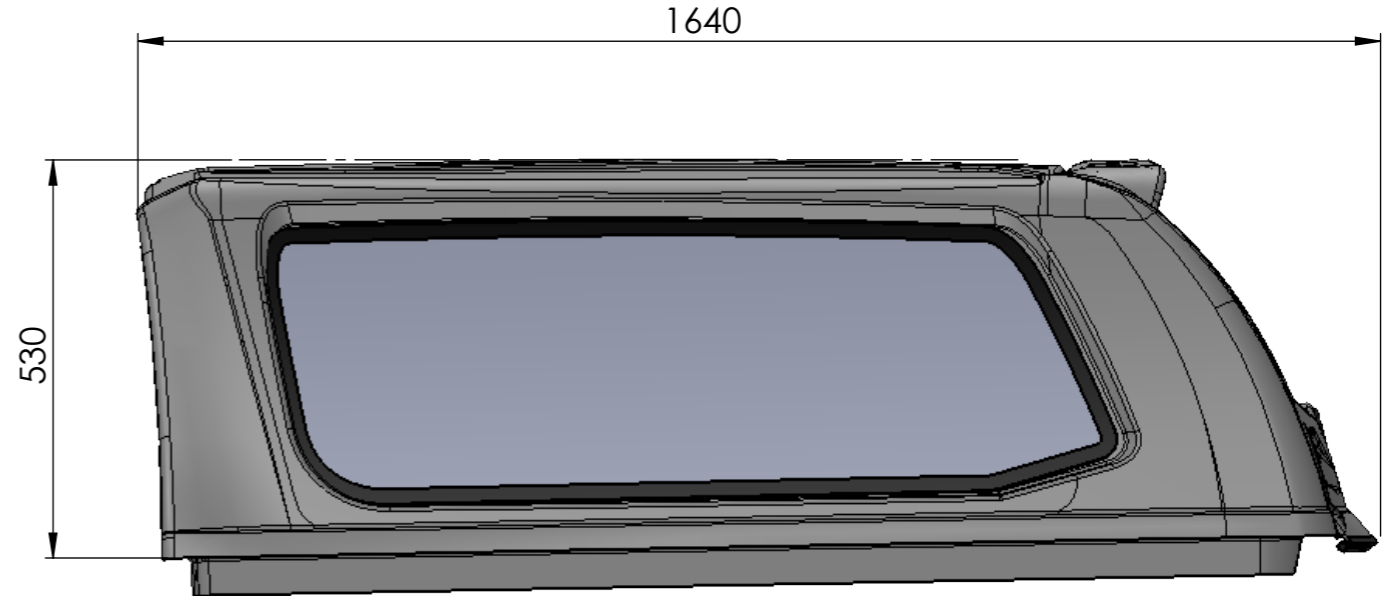
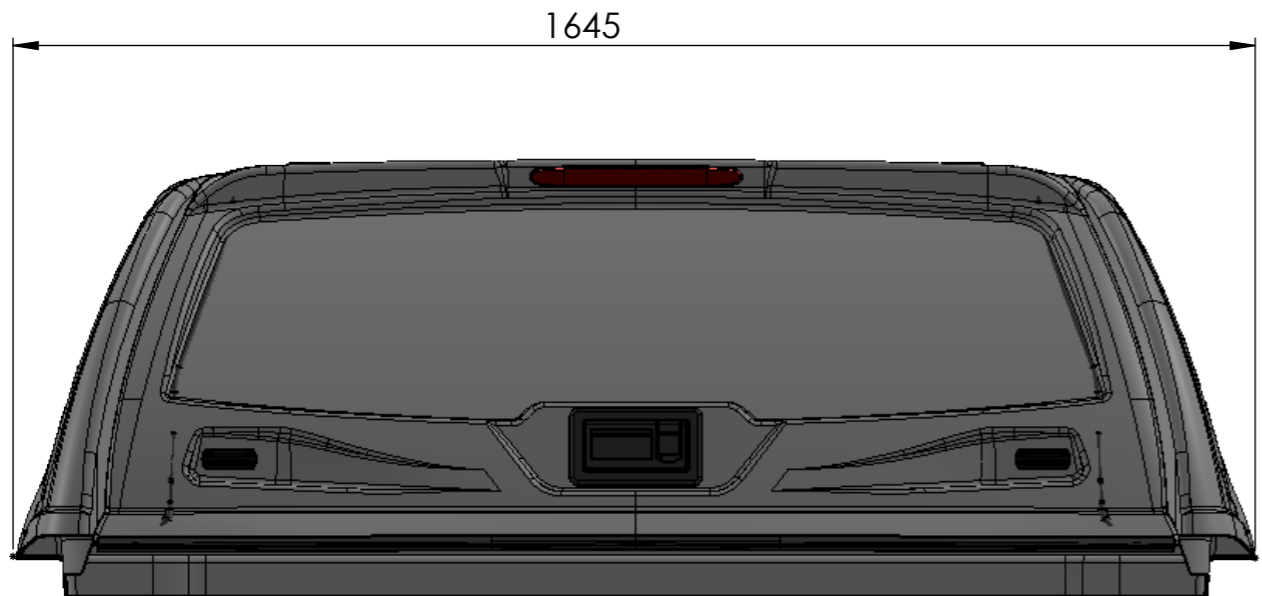


This drawing is the property of PLB Vindic AB. It is strictly confidential and must not be copied, traced or loaned without permission. Any infringement of these conditions will lead to the institution of legal procedures



	General tolerances:	ISO 2768-1m	Date:	04.06.2021	Scale:	1:10
	Designed by:	S. Ennemuist	Title/Name: ISDC-1133 measurements			
	Checked by:	M.Männäpuu				
Owner:	 PLB Vindic AB Sweden		Sheet: 1/1	Drawing number: ISDC-1133 M		