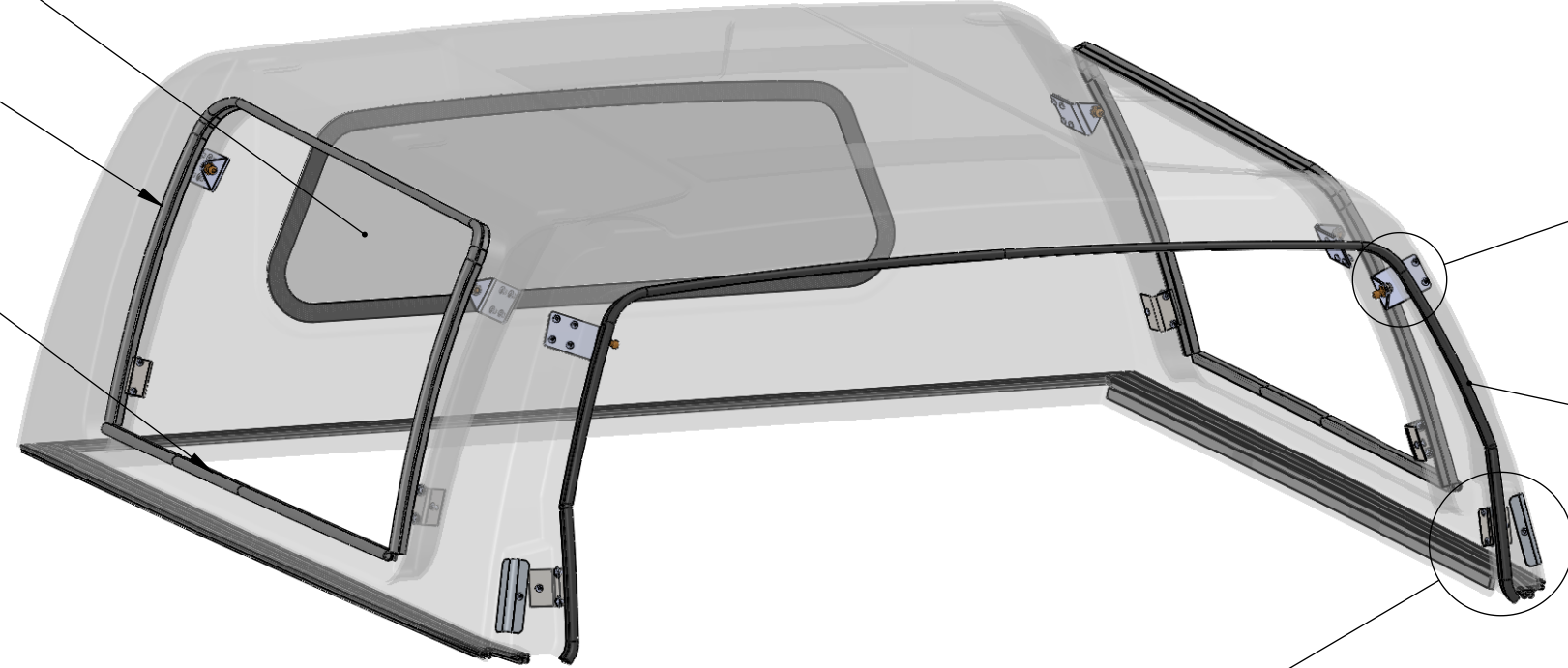


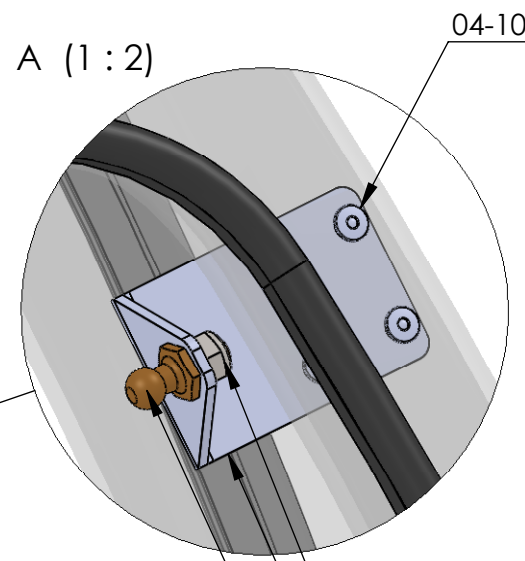
03-1113 Glasruta

03-1004 Kantlist
2 x 1,8m

03-1000 Kantlist
2 x 0,92m



A (1 : 2)



04-1016 Popnit tät

03-1004 Kantlist
2,2m

04-1011 Låsmutter

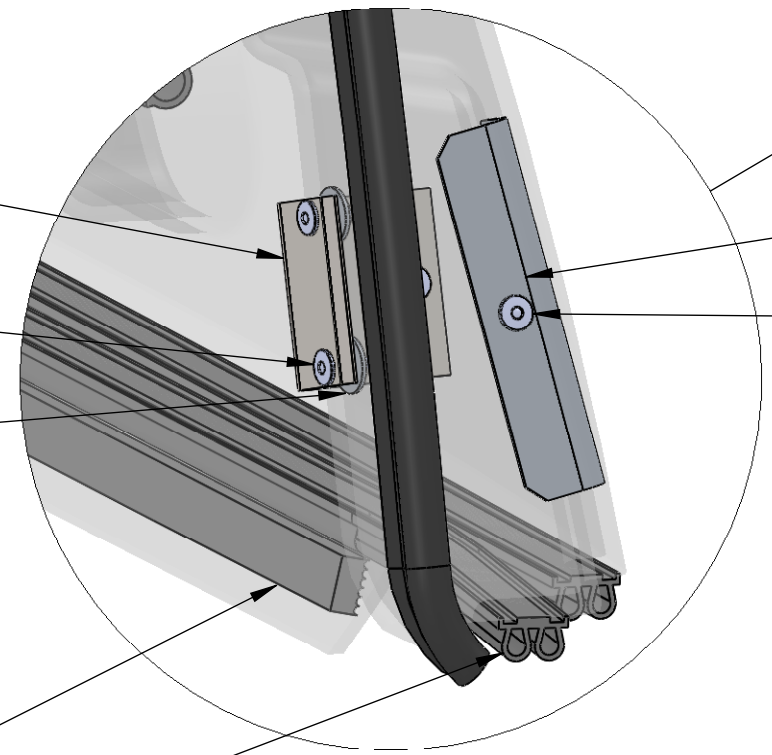
02-1210 Gasdämparfäste

Kulbult, ingår i
gasdämpare

02-1338 Låsbleck

04-1019 Popnit

04-1072 Bricka



02-1347 Glidskydd

04-1019 Popnit

03-1076 Krongummilist
2 x 1,35m

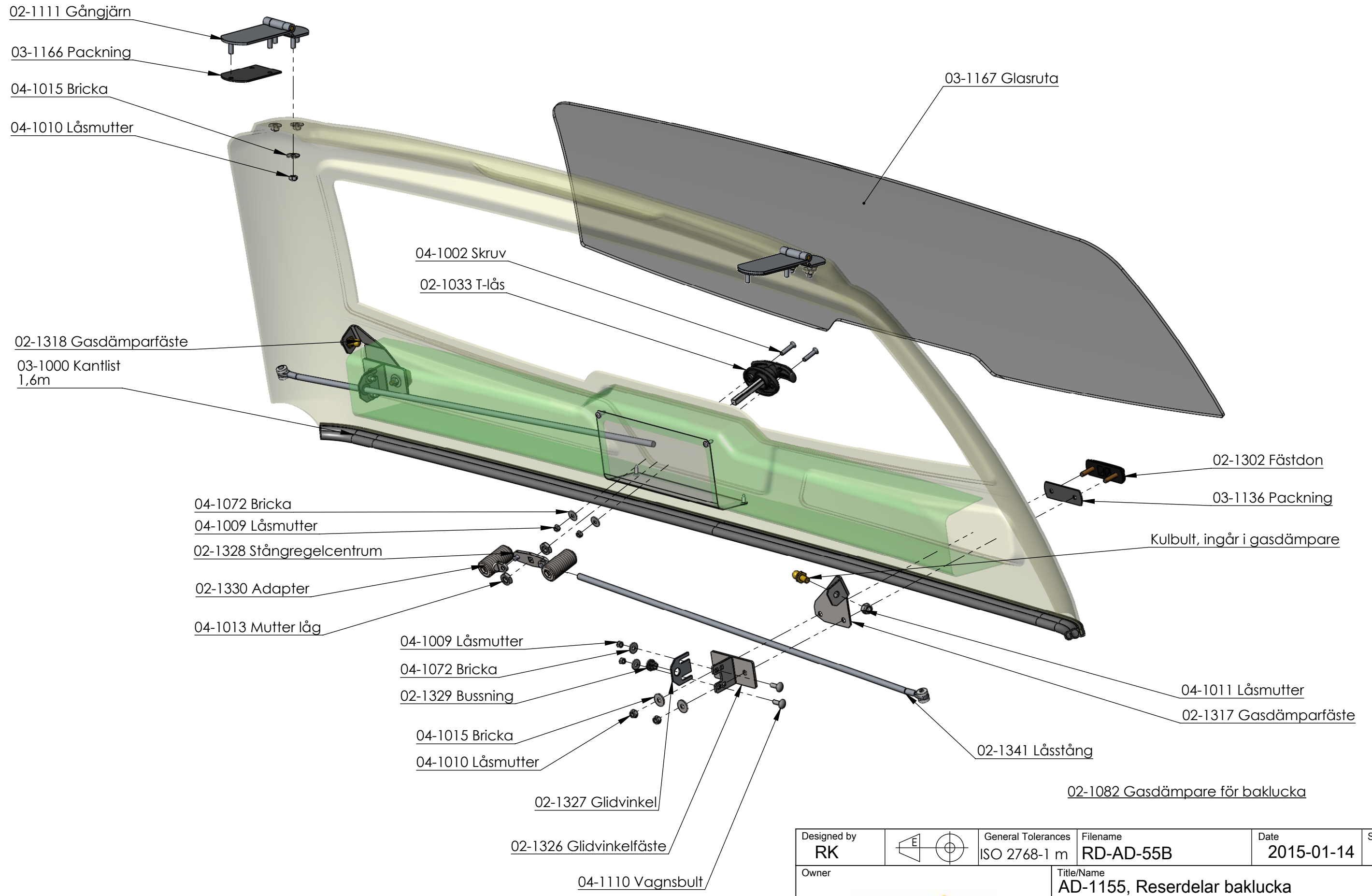
03-1172 Tätningslist
Tot. 8,0m

B (1 : 2)

Gasdämpare
Baklucka 02-1082
Sidolucka, främre 02-1247
Sidolucka, bakre 02-1238

This drawing is the property of PLB Vindic AB. It is strictly confidential and must not be copied, traced or loaned without permission. Any infringement of these conditions will lead to the institution of legal procedures

Designed by RK		General Tolerances ISO 2768-1 m	Filename RD- AD-55	Date 2010-12-21	Scale 1:10
Owner PLB VINDIC PLB Vindic AB Sweden			Title/Name AD-1155, Resrvdelar kåpa		
			Drawing number RD- AD-55	Edition	Sheet 1/1



This drawing is the property of PLB Vindic AB. It is strictly confidential and must not be copied, traced or loaned without permission. Any infringement of these conditions will lead to the institution of legal procedures

Designed by RK		General Tolerances ISO 2768-1 m	Filename RD-AD-55B	Date 2015-01-14	Scale 1:5
Owner PLB VINDIC PLB Vindic AB Sweden		Title/Name AD-1155, Reserdelar baklucka			
Drawing number RD-AD-55B			Edition	Sheet 1/1	

04-1109 Skruv

02-1324 Gångjärn

03-1165 Packning

04-1072 Bricka

04-1009 Låsmutter

02-1308 Gasdämparfäste Hö lucka främre
02-1307 Gasdämparfäste Vä lucka främre

04-1072 Bricka

04-1009 Låsmutter

02-1328 Stångregelcentrum

02-1330 Adapter

04-1013 Mutter låg

04-1009 Låsmutter

04-1072 Bricka

02-1329 Bussning

02-1327 Glidvinkel

04-1010 Låsmutter

04-1015 Bricka

02-1326 Glidvinkelfäste

04-1110 Vagnsbult

04-1002 Skruv

02-1033 T-lås

02-1302 Fästdon

03-1136 Packning

04-1011 Låsmutter

Kulbult, ingår i gasdämpare

02-1307 Gasdämparfäste Hö lucka bakre
02-1308 Gasdämparfäste Vä lucka bakre

02-1341 Låsstång

Designed by RK		General Tolerances ISO 2768-1 m	Filename RD-AD-55H	Date 2010-12-22	Scale 1:5
Owner PLB VINDIC PLB Vindic AB Sweden			Title/Name AD-1155, Reservdelar sidoluckor		
			Drawing number RD-AD-55H	Edition	Sheet 1/1

This drawing is the property of PLB Vindic AB. It is strictly confidential and must not be copied, traced or loaned without permission. Any infringement of these conditions will lead to the institution of legal procedures