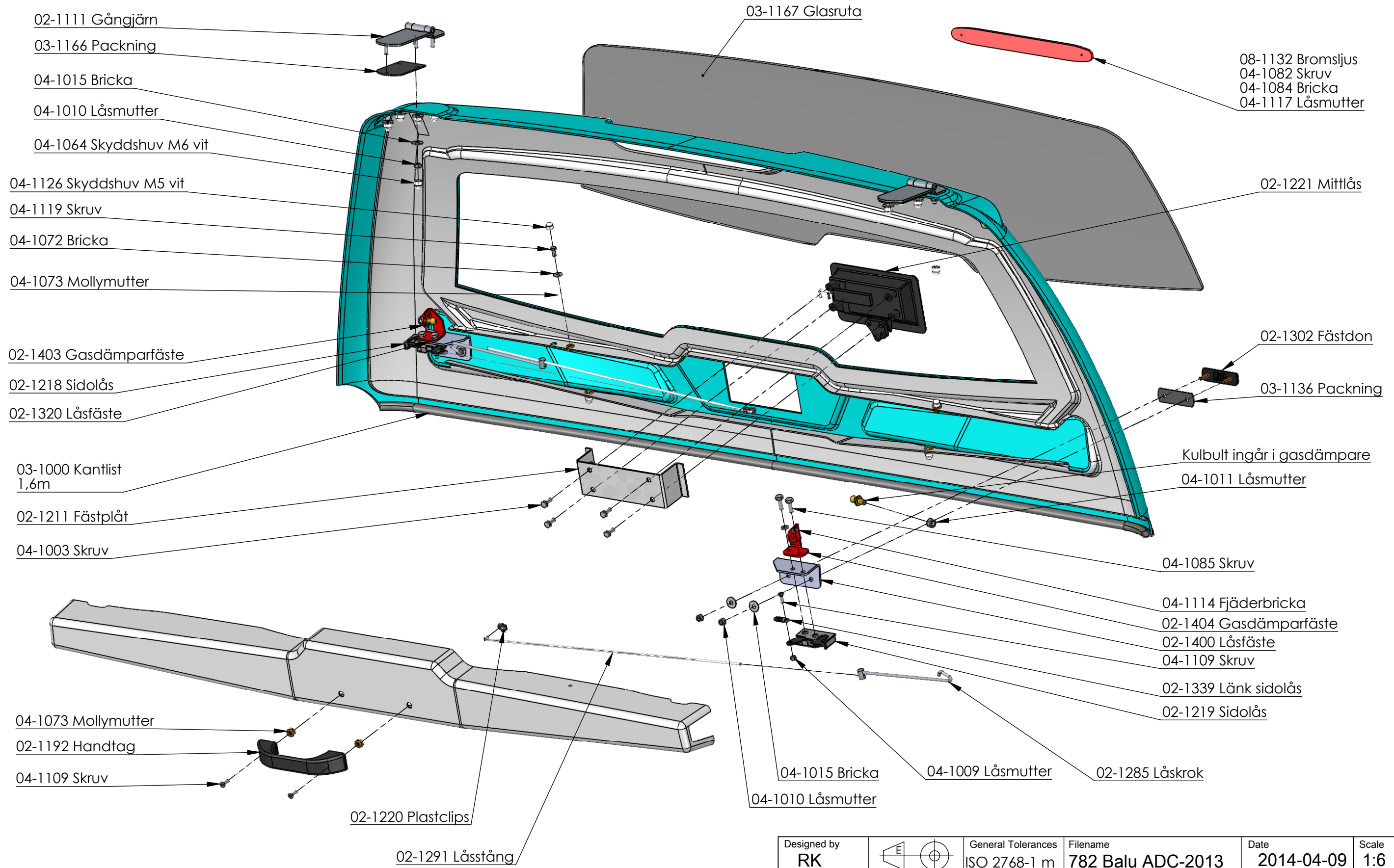


This drawing is the property of PLB Vindic AB. It is strictly confidential and must not be copied, traced or loaned without permission. Any infringement of these conditions will lead to the institution of legal procedures

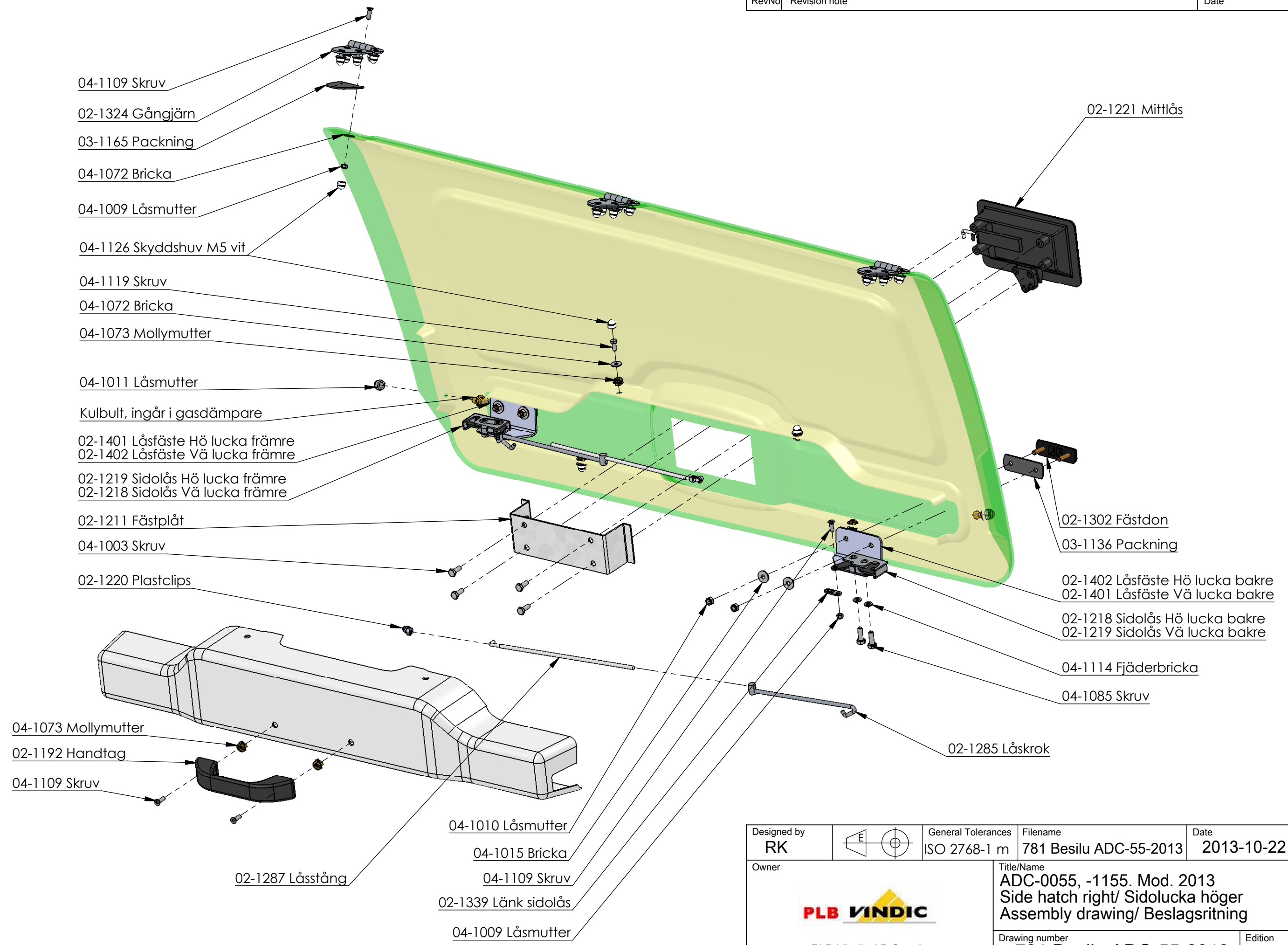
Designed by <b>RK</b>		General Tolerances ISO 2768-1 m	Filename 783 Bekå ADC-55-2013	Date 2014-04-09	Scale 1:10
Owner <b>PLB VINDIC</b> PLB Vindic AB Sweden	Title/Name ADC-55, Hardtop/ Kåpa Assembly drawing Beslagsritning		Drawing number 783 Bekå ADC-55-2013	Edition	Sheet 1/1



This drawing is the property of PLB Vindic AB. It is strictly confidential and must not be copied, traced or loaned without permission. Any infringement of these conditions will lead to the institution of legal procedures

Designed by <b>RK</b>		General Tolerances ISO 2768-1 m	Filename <b>782 Balu ADC-2013</b>	Date <b>2014-04-09</b>	Scale <b>1:6</b>
Owner <b>PLB VINDIC</b> PLB Vindic AB Sweden			Title/Name <b>ADC-0055, -1155, -1133. Mod. 2013</b> <b>Rear hatch/ Baklucka</b> <b>Assembly drawing/ Beslagsritning</b>		
			Drawing number <b>782 Balu ADC-2013</b>	Edition	Sheet <b>1/1</b>





This drawing is the property of PLB Vindic AB. It is strictly confidential and must not be copied, traced or loaned without permission. Any infringement of these conditions will lead to the institution of legal procedures

Designed by <b>RK</b>		General Tolerances ISO 2768-1 m	Filename 781 Besilu ADC-55-2013	Date 2013-10-22	Scale 1:5
Owner <b>PLB VINDIC</b> PLB Vindic AB Sweden		Title/Name ADC-0055, -1155. Mod. 2013 Side hatch right/ Sidolucka höger Assembly drawing/ Beslagsritning			Sheet 1/1
			Drawing number 781 Besilu ADC-55-2013	Edition	