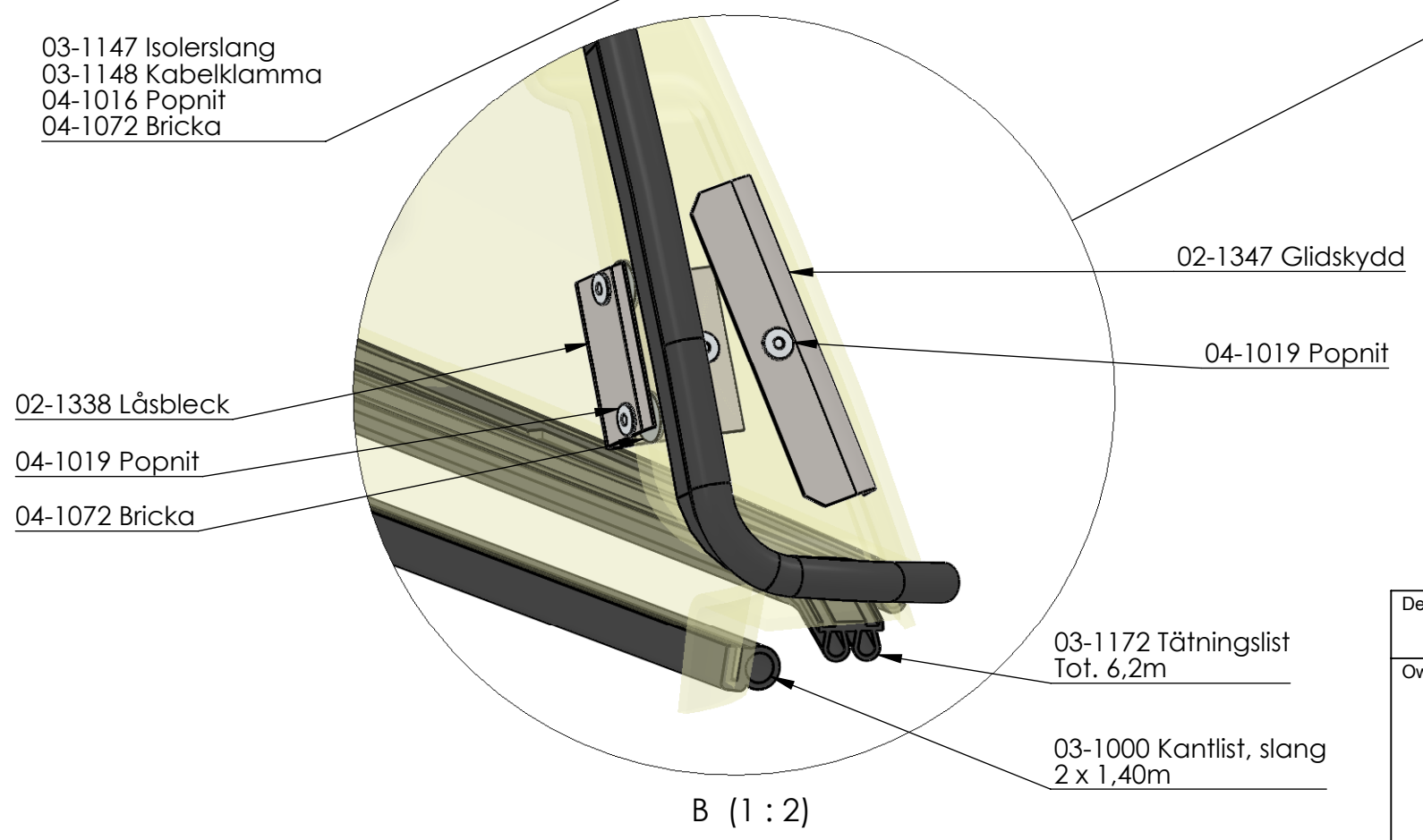
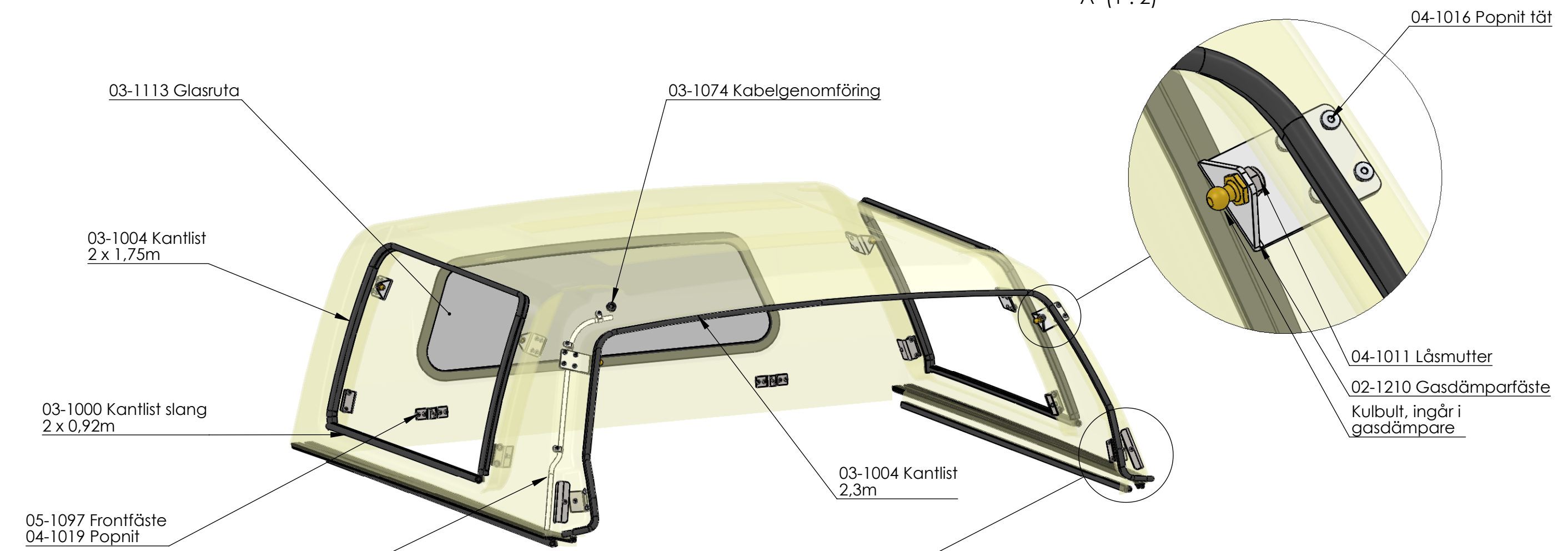


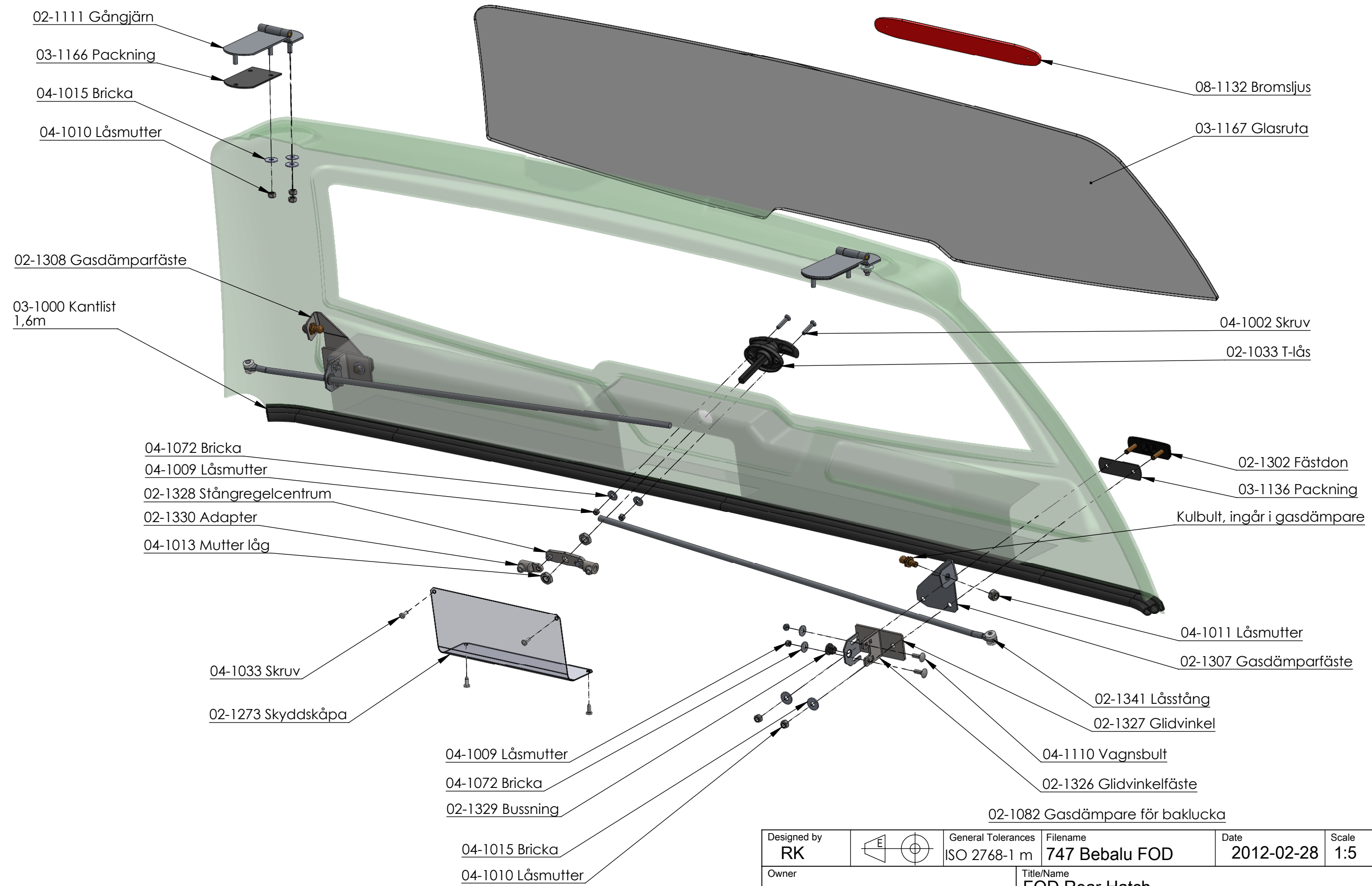
A (1 : 2)



Gasdämpare	
Baklucka	02-1082
Sidolucka	02-1238

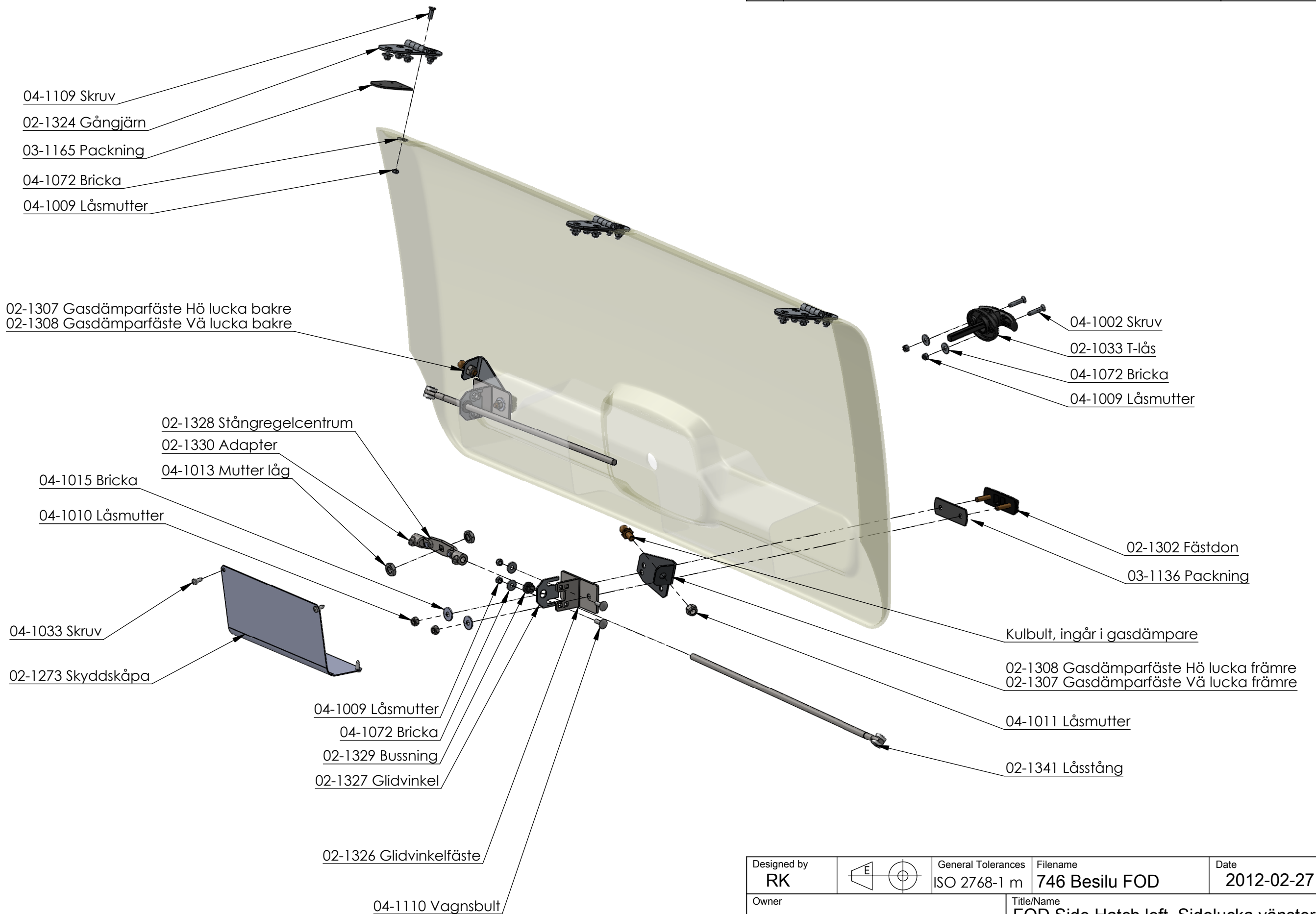
Designed by RK		General Tolerances ISO 2768-1 m	Filename 748 Bekå FOD	Date 2012-07-04	Scale 1:10
Owner PLB Vindic AB Sweden	Title/Name FOD Hardtop Assembly drawing Beslagsritning			Drawing number 748 Bekå FOD	Edition Sheet 1/1

This drawing is the property of PLB Vindic AB. It is strictly confidential and must not be copied, traced or loaned without permission. Any infringement of these conditions will lead to the institution of legal procedures



This drawing is the property of PLB Vindic AB. It is strictly confidential and must not be copied, traced or loaned without permission. Any infringement of these conditions will lead to the institution of legal procedures

Designed by RK		General Tolerances ISO 2768-1 m	Filename 747 Bebalu FOD	Date 2012-02-28	Scale 1:5
Owner PLB Vindic AB Sweden		Title/Name FOD Rear Hatch Assembly drawing Beslagsritning			Sheet 1/1
			Drawing number 747 Bebalu FOD	Edition	



This drawing is the property of PLB Vindic AB. It is strictly confidential and must not be copied, traced or loaned without permission. Any infringement of these conditions will lead to the institution of legal procedures

Designed by RK		General Tolerances ISO 2768-1 m	Filename 746 Besilu FOD	Date 2012-02-27	Scale 1:5
Owner PLB VINDIC PLB Vindic AB Sweden		Title/Name FOD Side Hatch left, Sidolucka vänster Assembly drawing Beslagsritning			
Drawing number 746 Besilu FOD			Edition	Sheet 1/1	