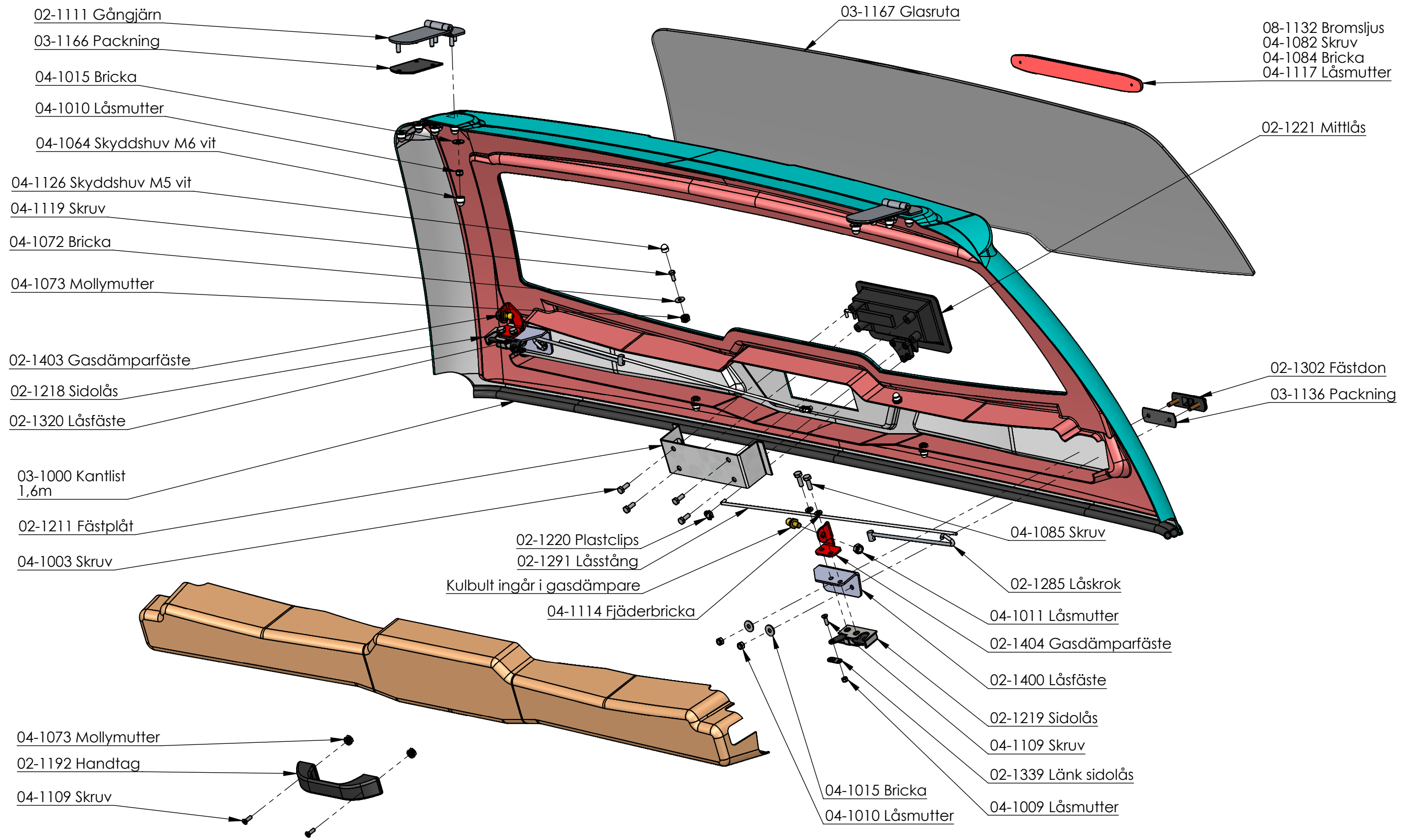


Gasdämpare
Baklucka 02-1082

This drawing is the property of PLB Vindic AB. It is strictly confidential and must not be copied, traced or loaned without permission. Any infringement of these conditions will lead to the institution of legal procedures

Designed by RK		General Tolerances ISO 2768-1 m	Filename 804 Bekå FODC-33-DL	Date 2014-03-24	Scale 1:10
Owner PLB Vindic AB Sweden	Title/Name FODC-1133, Hardtop, Kåpa Assembly drawing Beslagsritning			Edition	Sheet 1/1
			Drawing number 804 Bekå FODC-33-DL		



This drawing is the property of PLB Vindic AB. It is strictly confidential and must not be copied, traced or loaned without permission. Any infringement of these conditions will lead to the institution of legal procedures

Designed by RK		General Tolerances ISO 2768-1 m	Filename 793 Bebalu FODC-DL	Date 2014-03-20	Scale 1:6
Owner 		Title/Name FODC, FOSC. Rear hatch, Baklucka Assembly drawing Beslagsritning			
PLB Vindic AB Sweden			Drawing number 793 Bebalu FODC-DL	Edition	Sheet 1/1