

A (1 : 2)

- 03-1147 Isolerslang
- 03-1148 Kabelklamma
- 04-1016 Popnit
- 04-1072 Bricka

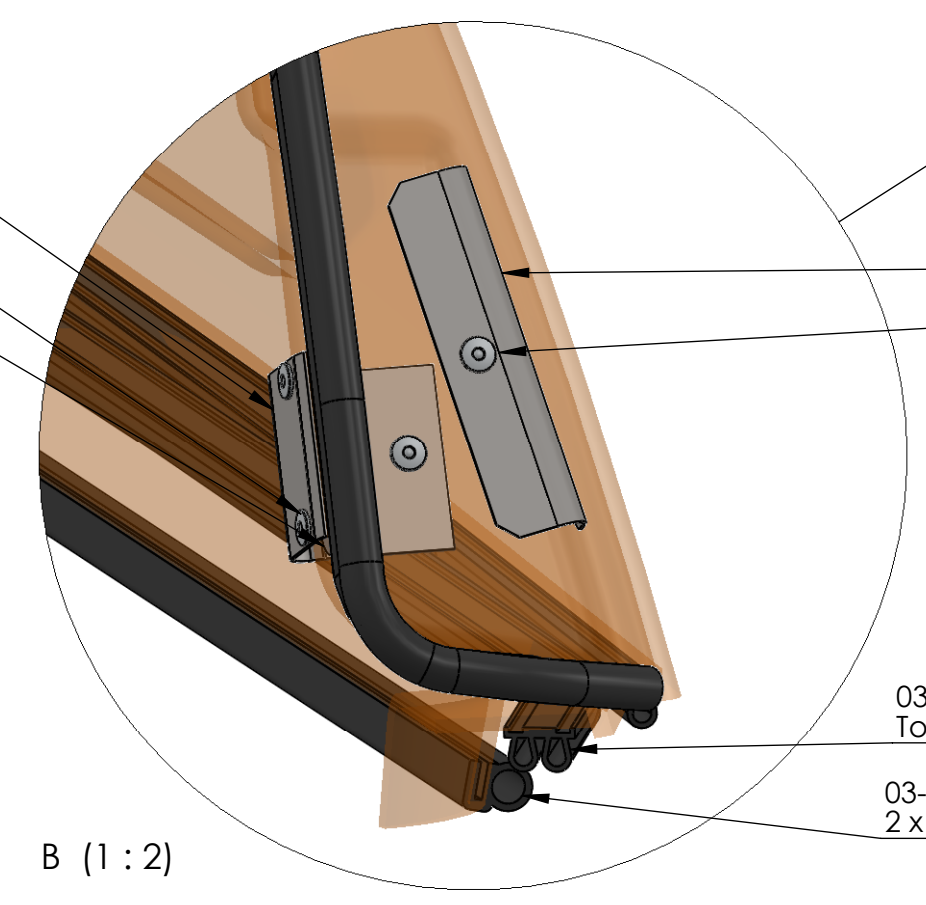
- 05-1097 Frontfäste
- 04-1019 Popnit

- 04-1016 Popnit tät
- 04-1011 Låsmutter
- 02-1210 Gasdämparfäste
- Kulbult, ingår i gasdämpare

- 02-1338 Låsbleck
- 04-1019 Popnit
- 04-1072 Bricka

- 02-1347 Glidskydd
- 04-1019 Popnit

- 03-1172 Tätningslist Tot. 7,4m
- 03-1000 Kantlist, slang 2 x 1,70m

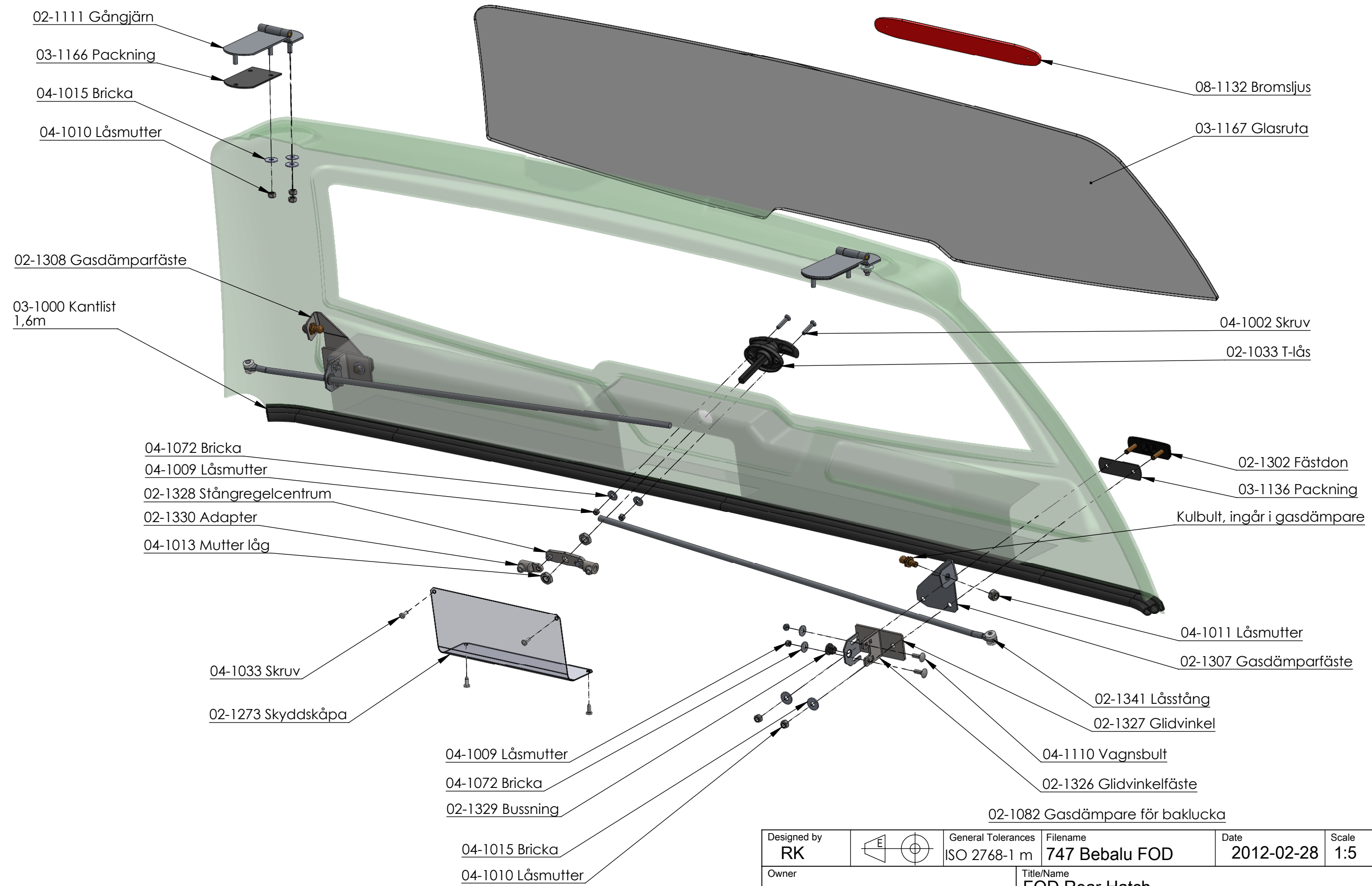


B (1 : 2)

Gasdämpare
Baklucka 02-1082

This drawing is the property of PLB Vindic AB. It is strictly confidential and must not be copied, traced or loaned without permission. Any infringement of these conditions will lead to the institution of legal procedures

Designed by RK		General Tolerances ISO 2768-1 m	Filename 759 Bekå FOS-0	Date 2012-08-16	Scale 1:10
Owner PLB Vindic AB Sweden		Title/Name FOS-900, -1100. Assembly drawing Beslagsritning			
Drawing number 759 Bekå FOS-0			Edition	Sheet 1/1	



This drawing is the property of PLB Vindic AB. It is strictly confidential and must not be copied, traced or loaned without permission. Any infringement of these conditions will lead to the institution of legal procedures

Designed by RK		General Tolerances ISO 2768-1 m	Filename 747 Bebalu FOD	Date 2012-02-28	Scale 1:5
Owner PLB Vindic AB Sweden		Title/Name FOD Rear Hatch Assembly drawing Beslagsritning			Sheet 1/1
Drawing number 747 Bebalu FOD			Edition		