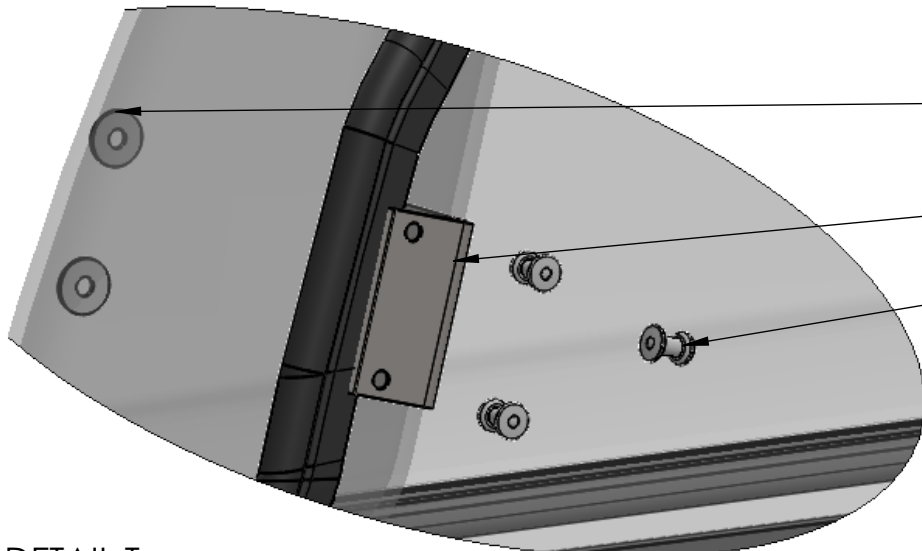
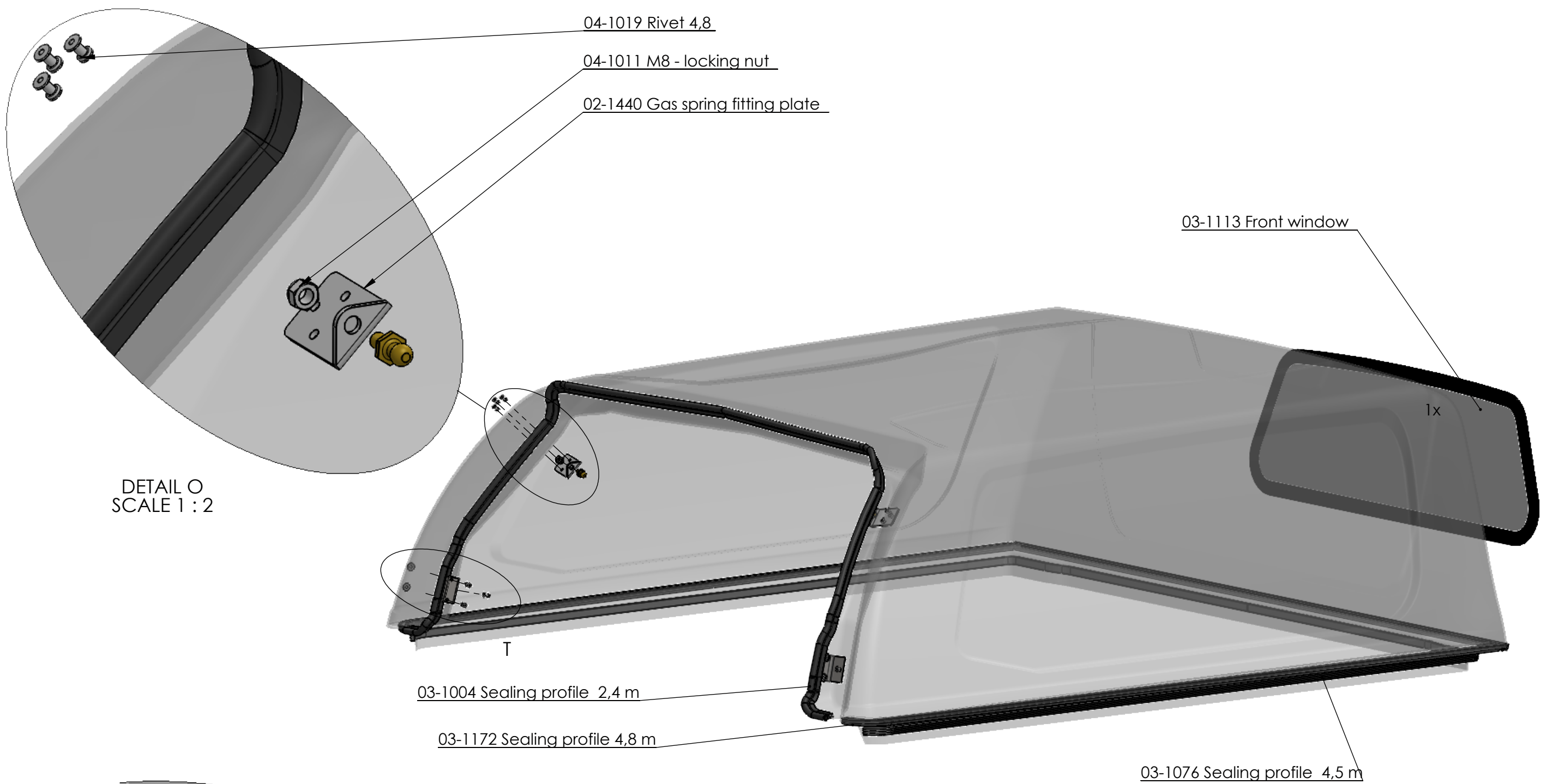
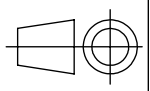


This drawing is the property of PLB Vindic AB. It is strictly confidential and must not be copied, traced or loaned without permission. Any infringement of these conditions will lead to the institution of legal procedures

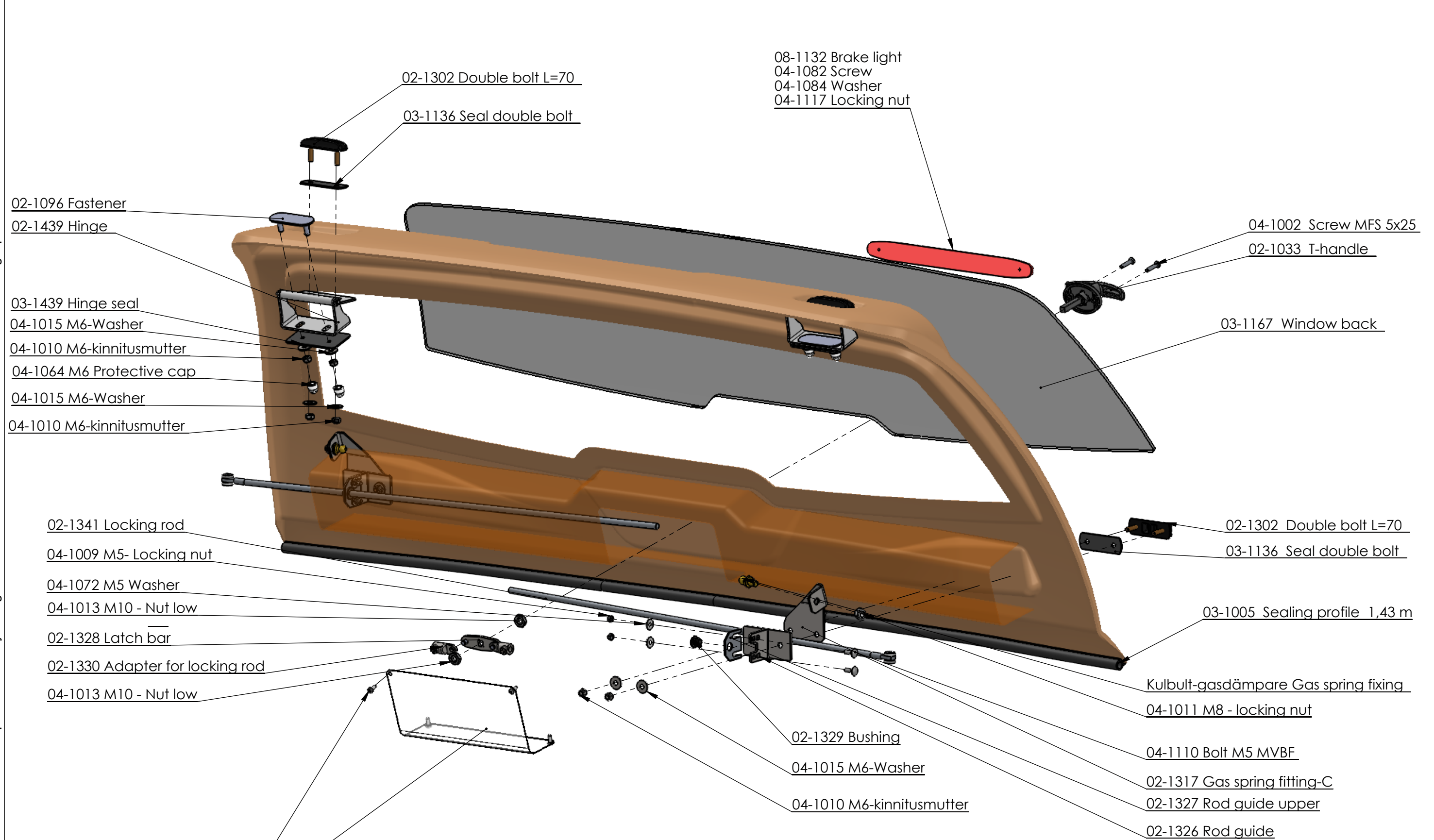


DETAIL T  
SCALE 1 : 2

**Gas springs:**  
back hatch: 02-1238

|   |   |   |            |
|---|---|---|------------|
|  | General tolerances: ISO 2768-1m   | Date: 12.06.2021  | Scale: 1:8 |
|   | Designed by: S. Ennemuist<br>Checked by: M.Männäpuu<br>Owner: <b>PLB VINDIC</b><br>PLB Vindic AB Sweden | Title/Name:<br>ISD-900; -1100- hardtop assembly drawing |            |

This drawing is the property of PLB Vindic AB. It is strictly confidential and must not be copied, traced or loaned without permission. Any infringement of these conditions will lead to the institution of legal procedures



|             |                          |  |                 |            |        |            |
|-------------|--------------------------|--|-----------------|------------|--------|------------|
|             | General tolerances:      | ISO 2768-1m  | Date:           | 17.06.2021 | Scale: | 1:5        |
|             | Designed by:             | S. Ennemuist   | Title/Name:     |            |        |            |
| Checked by: | M.Männäpuu               | ISD-55, ISD-0, ISE-55 and ISE-0<br>back hatch assembly drawing |                 |            |        |            |
| Owner:      | <br>PLB Vindic AB Sweden | Sheet: 1/1   | Drawing number: |            |        | ISD-03.201 |