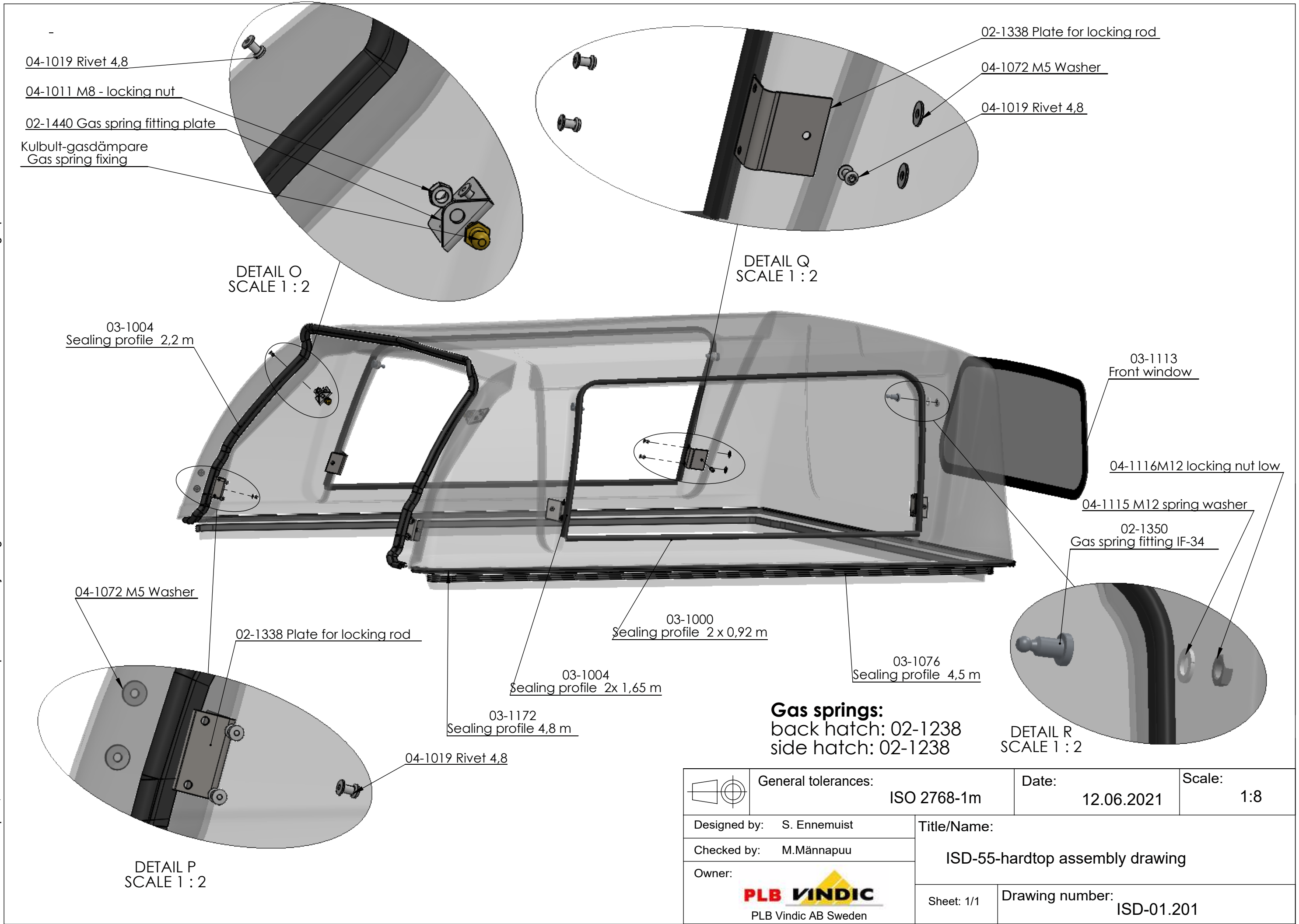
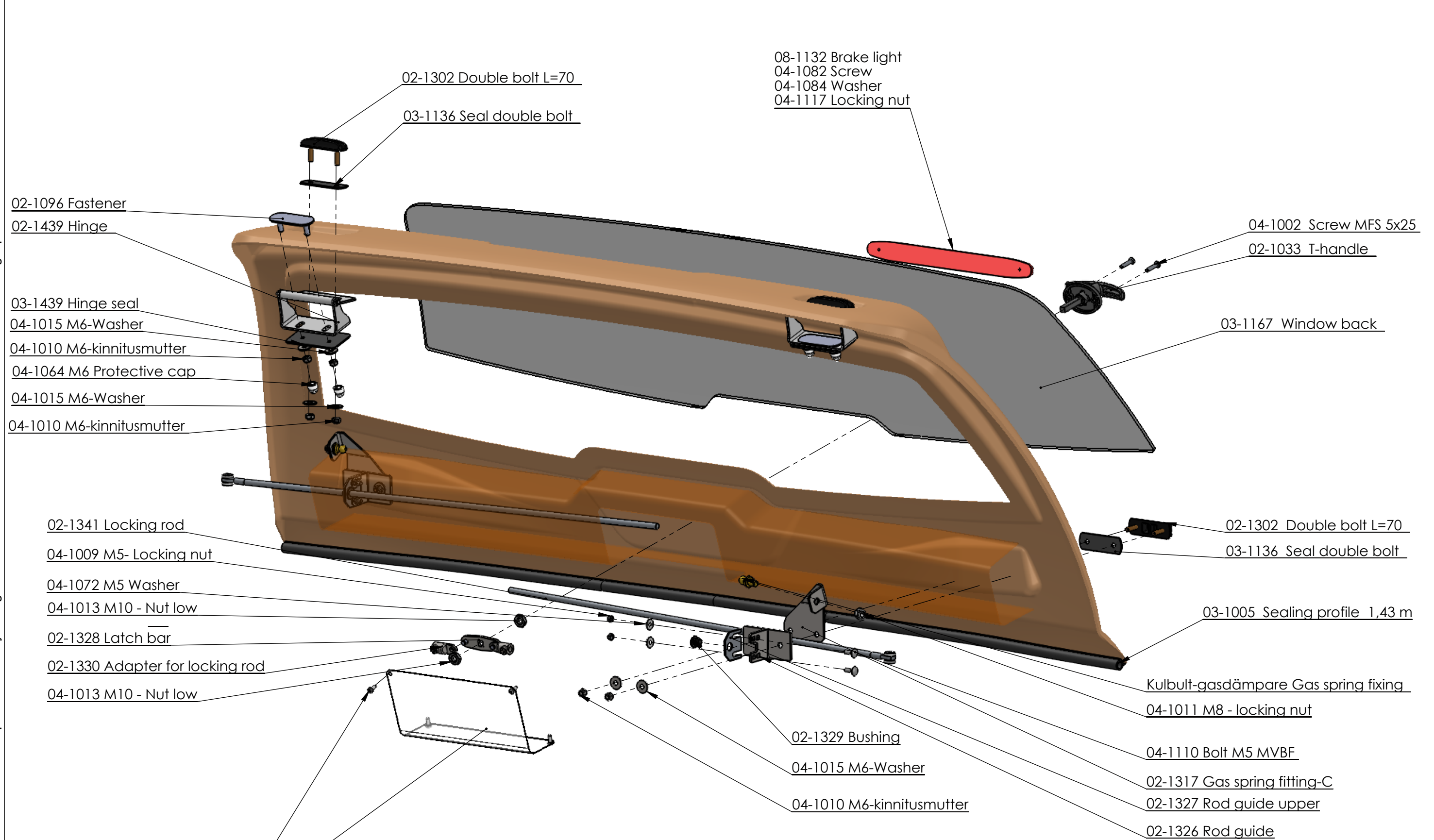


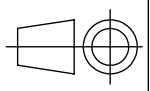

This drawing is the property of PLB Vindic AB. It is strictly confidential and must not be copied, traced or loaned without permission. Any infringement of these conditions will lead to the institution of legal procedures



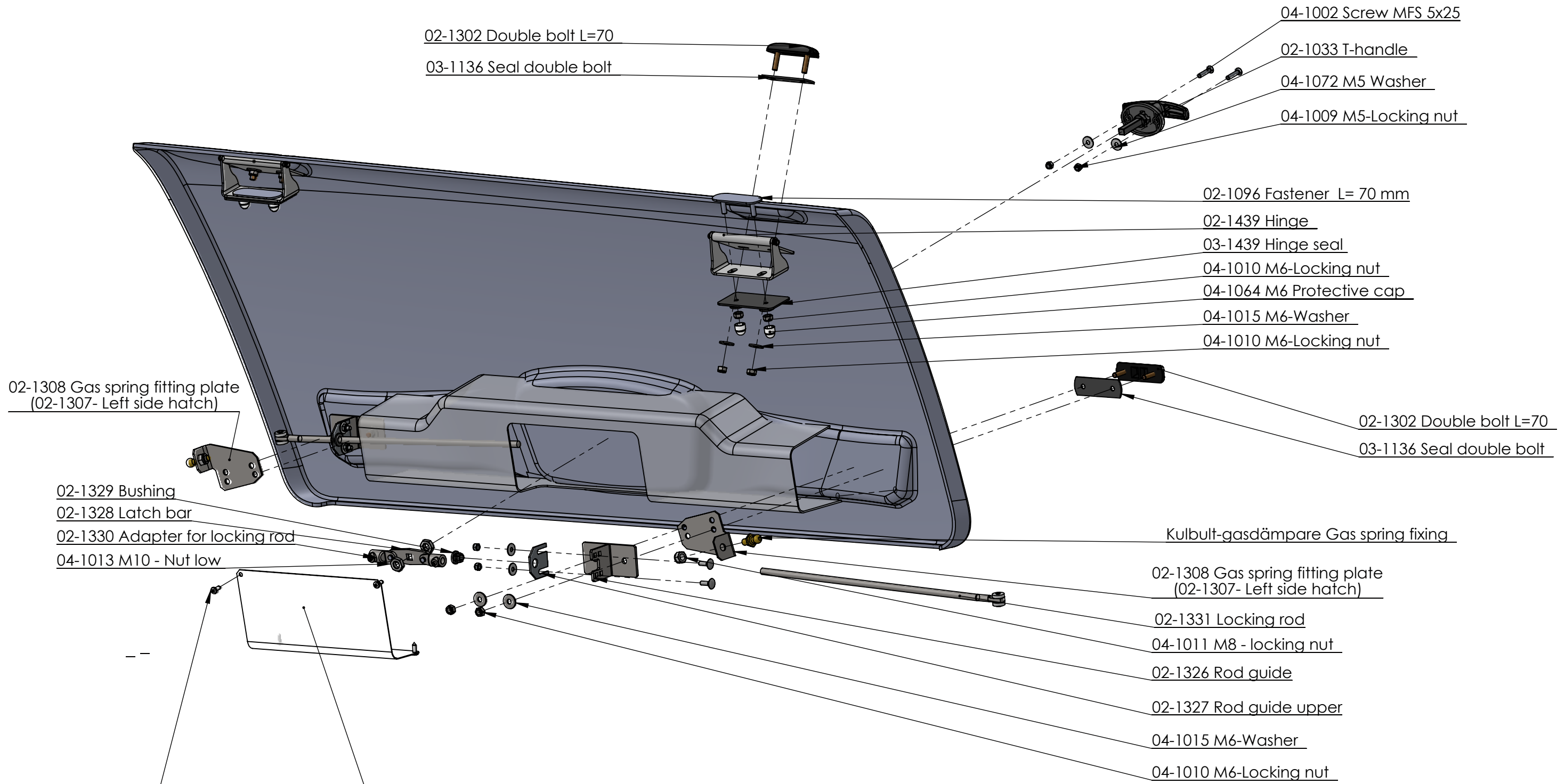
	General tolerances: ISO 2768-1m	Date: 12.06.2021	Scale: 1:8
	Designed by: S. Ennemuist Checked by: M.Männapuu Owner: PLB VINDIC PLB Vindic AB Sweden	Title/Name: ISD-55-hardtop assembly drawing	
	Sheet: 1/1	Drawing number: ISD-01.201	

This drawing is the property of PLB Vindic AB. It is strictly confidential and must not be copied, traced or loaned without permission. Any infringement of these conditions will lead to the institution of legal procedures



	General tolerances:	ISO 2768-1m	Date:	17.06.2021	Scale:	1:5
	Designed by:	S. Ennemuist	Title/Name:			
Checked by:	M.Männäpuu	ISD-55, ISD-0, ISE-55 and ISE-0 back hatch assembly drawing				
Owner:	 PLB Vindic AB Sweden	Sheet: 1/1	Drawing number: ISD-03.201			

This drawing is the property of PLB Vindic AB. It is strictly confidential and must not be copied, traced or loaned without permission. Any infringement of these conditions will lead to the institution of legal procedures



04-1033 Screw RXS A4 0127 142 13

02-1273 Cover

	General tolerances: ISO 2768-1m	Date: 01.07.2021	Scale: 1:5
	Designed by: S. Ennemuist Checked by: M.Männapuu Owner: PLB VINDIC PLB Vindic AB Sweden	Title/Name: ISD-55 side hatch assembly drawing	