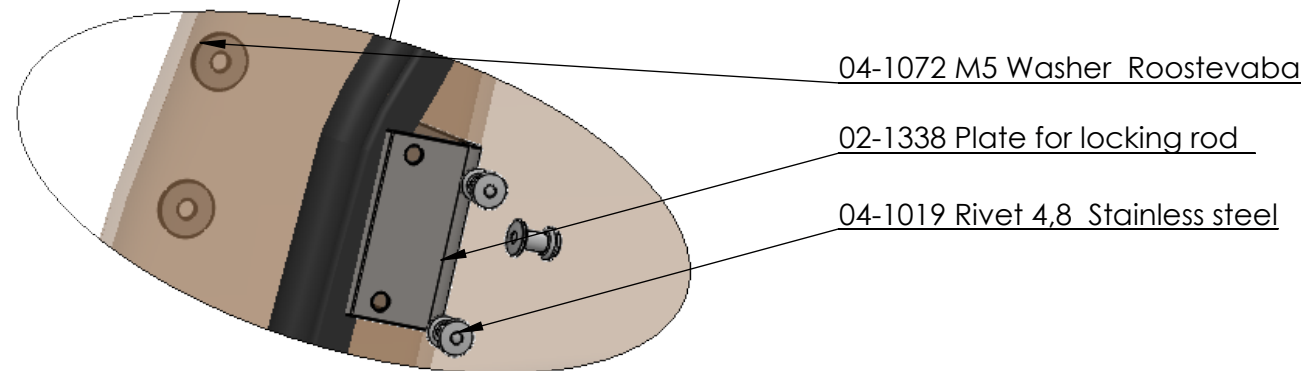
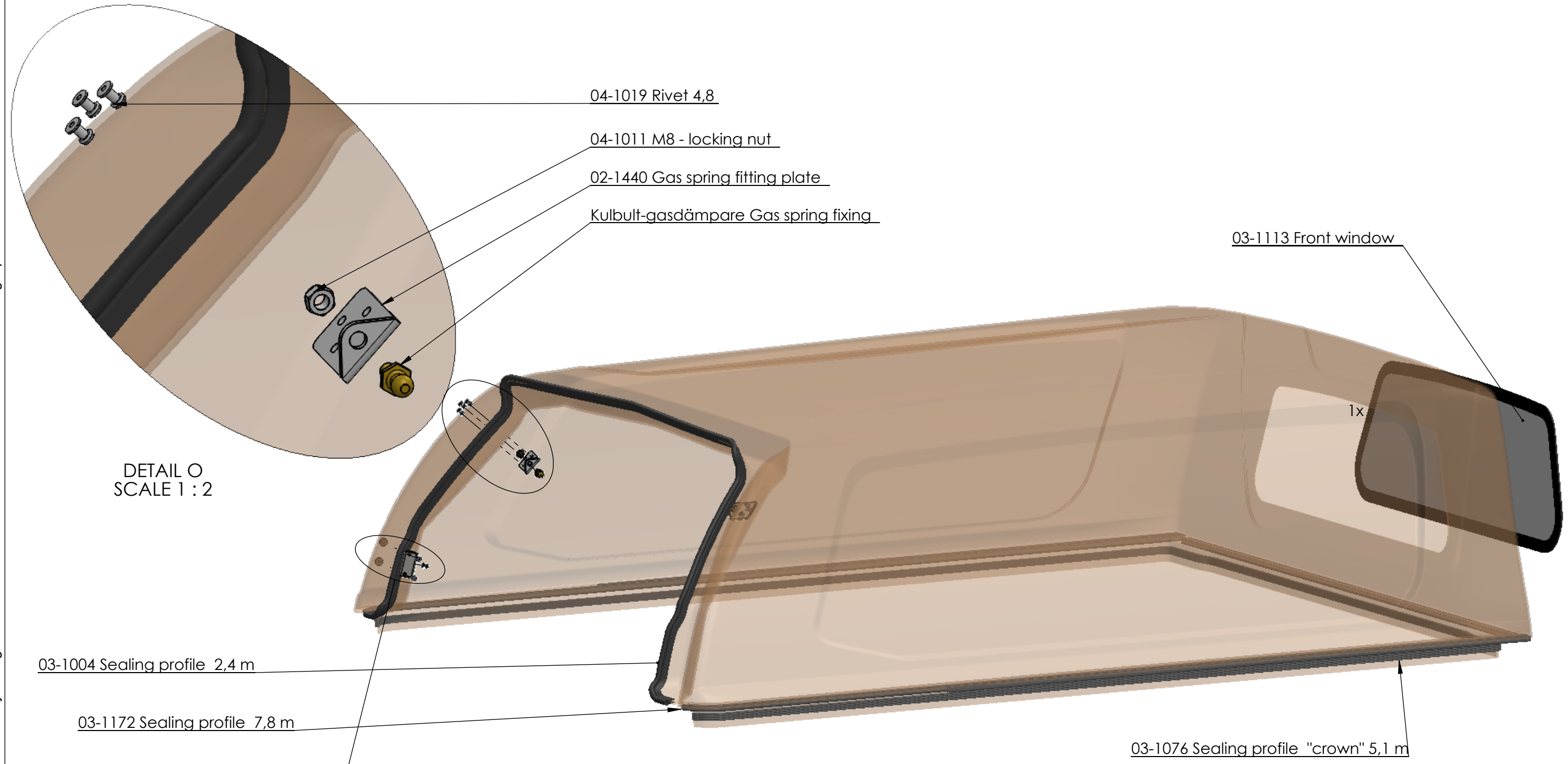


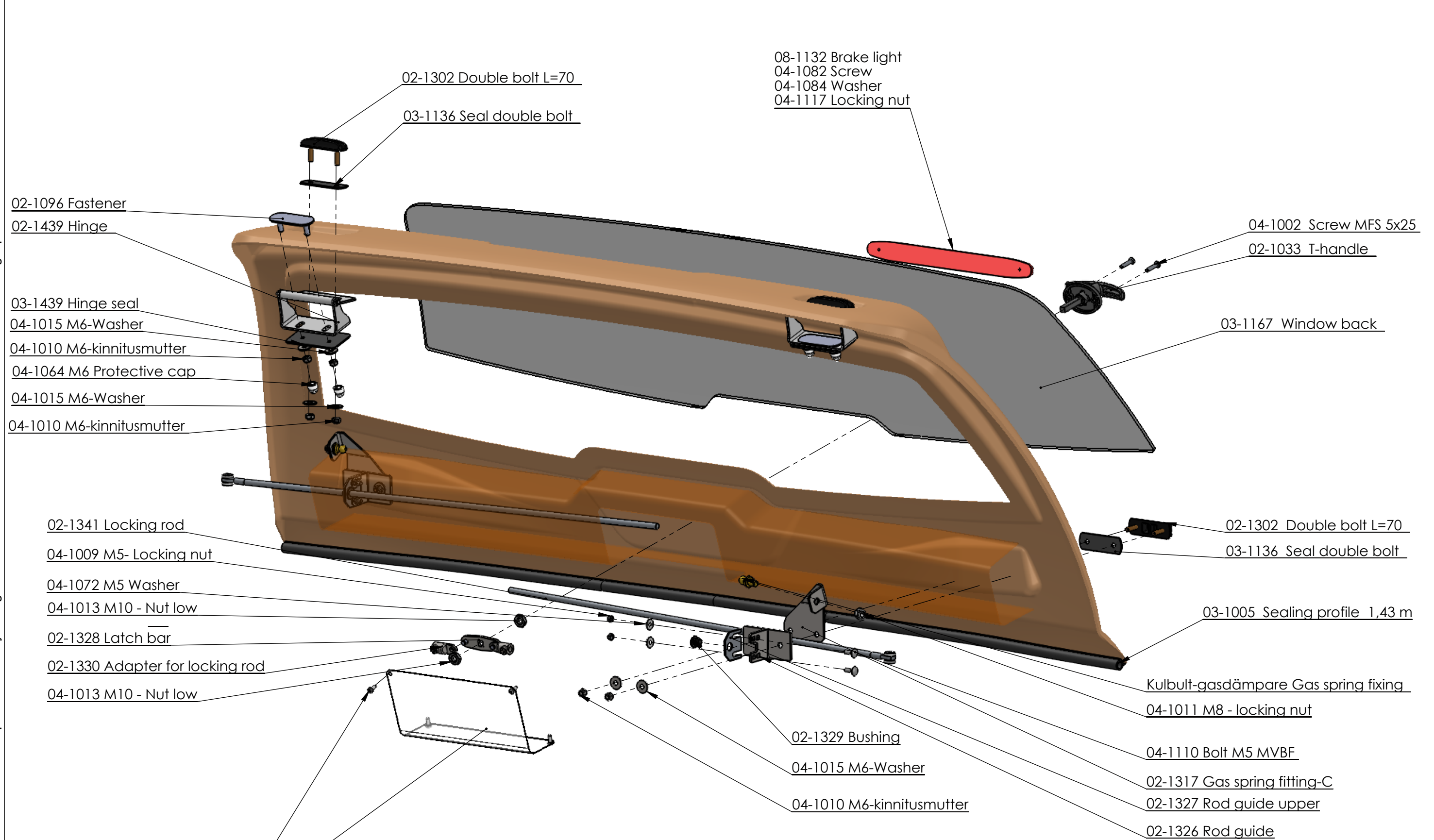
This drawing is the property of PLB Vindic AB. It is strictly confidential and must not be copied, traced or loaned without permission. Any infringement of these conditions will lead to the institution of legal procedures

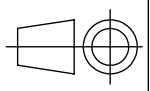



**Gas springs:**  
back hatch: 02-1238

	General tolerances: ISO 2768-1m	Date: 18.06.2021	Scale: 1:8
	Designed by: S. Ennemuist Checked by: M. Männapuu Owner: <b>PLB VINDIC</b> PLB Vindic AB Sweden	Title/Name: ISE-900;-1100 hardtop assembly drawing	

This drawing is the property of PLB Vindic AB. It is strictly confidential and must not be copied, traced or loaned without permission. Any infringement of these conditions will lead to the institution of legal procedures



	General tolerances:	ISO 2768-1m	Date:	17.06.2021	Scale:	1:5
	Designed by:	S. Ennemuist	Title/Name:			
Checked by:	M.Männäpuu	ISD-55, ISD-0, ISE-55 and ISE-0 back hatch assembly drawing				
Owner:	 PLB Vindic AB Sweden	Sheet: 1/1	Drawing number: ISD-03.201			