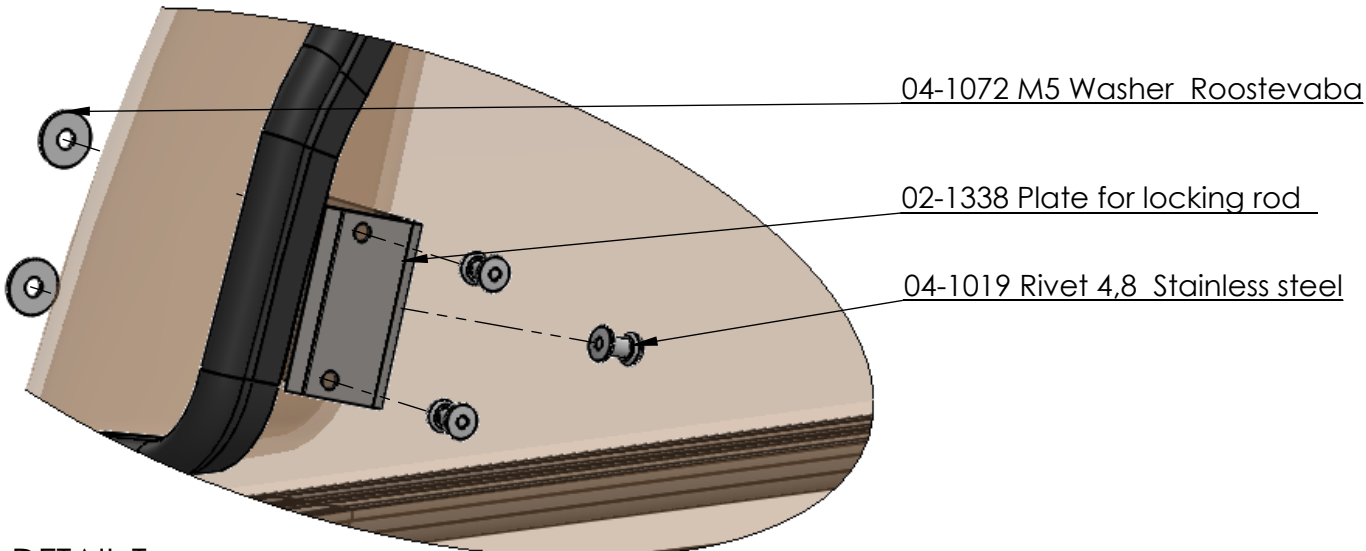
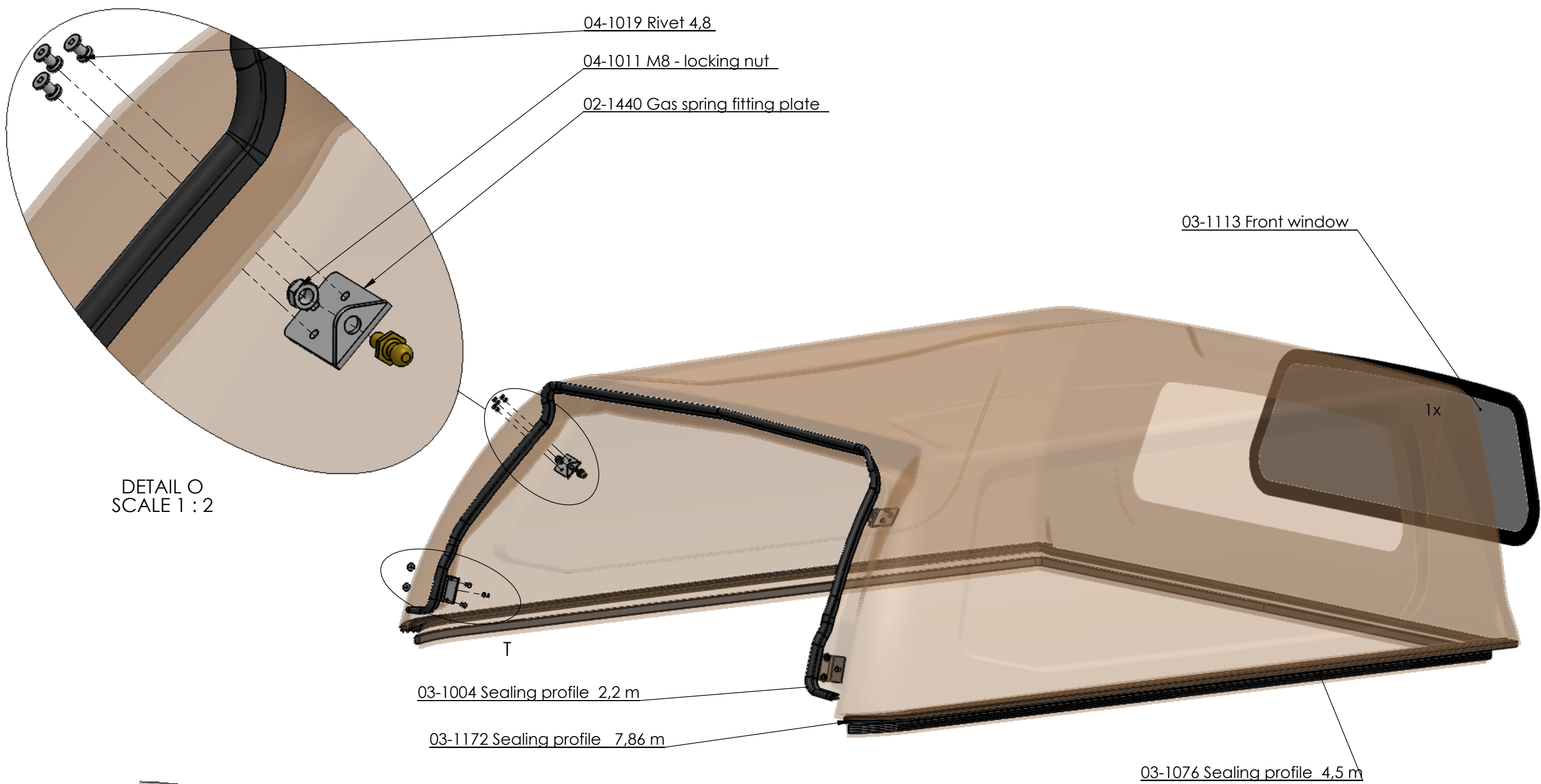
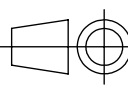


This drawing is the property of PLB Vindic AB. It is strictly confidential and must not be copied, traced or loaned without permission. Any infringement of these conditions will lead to the institution of legal procedures

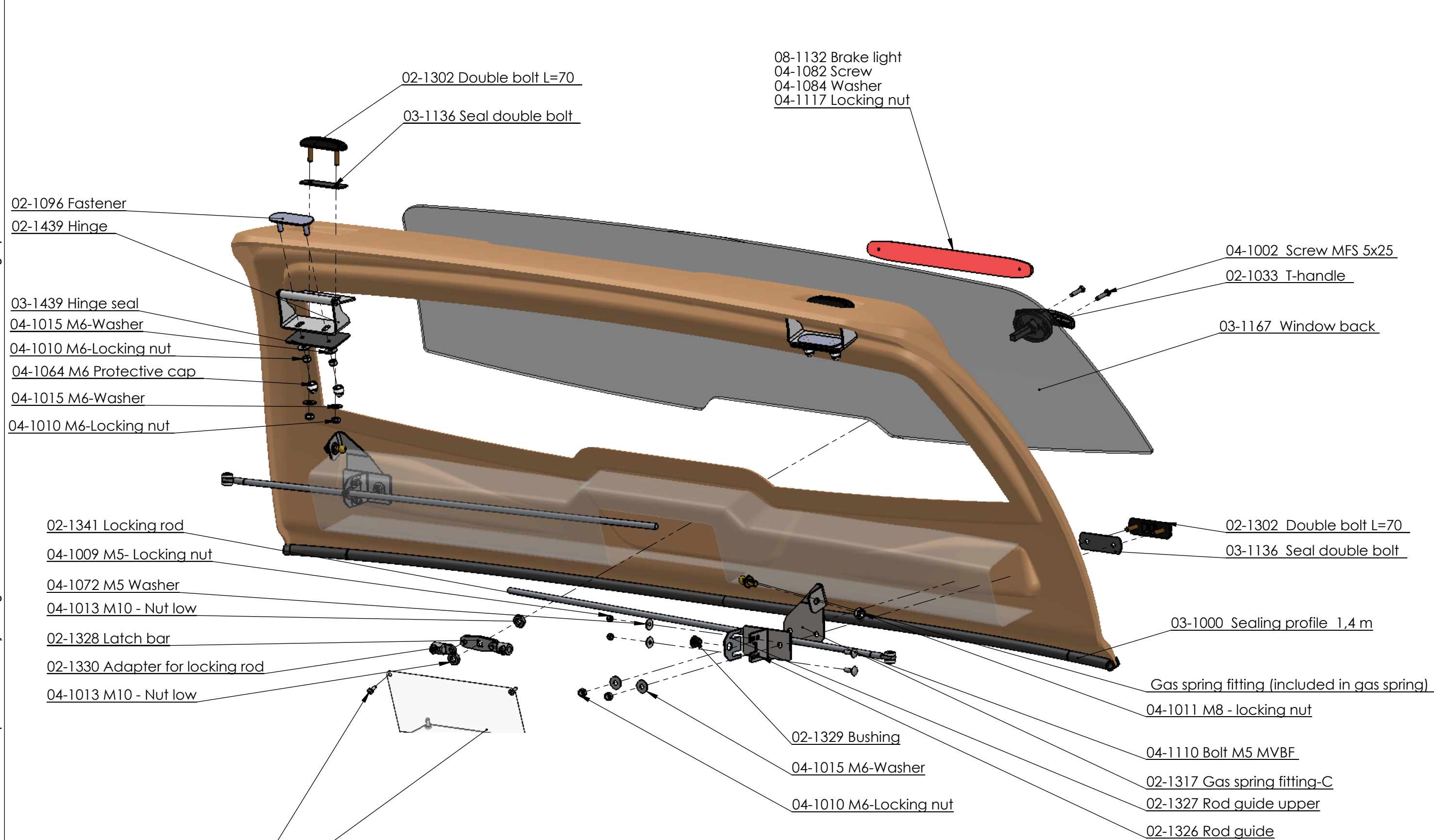


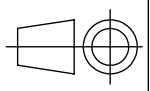

DETAIL T  
SCALE 1 : 2

**Gas springs:**  
back hatch: 02-1238  
side hatch: 02-1238

	General tolerances: ISO 2768-1m	Date: 4.10.2016	Scale: 1:8
	Designed by: S. Ennemuist Checked by: I. Karus Owner: <b>PLB VINDIC</b> PLB Vindic AB Sweden	Title/Name: NP3D-900; -1100- hardtop assembly drawing	

This drawing is the property of PLB Vindic AB. It is strictly confidential and must not be copied, traced or loaned without permission. Any infringement of these conditions will lead to the institution of legal procedures



	General tolerances:	ISO 2768-1m	Date:	3.11.2017	Scale:	1:5
	Designed by:	S. Ennemuist	Title/Name:			
Checked by:	I. Karus	RAD-55, RAD-0, RAK-55 and RAK-0 back hatch assembly drawing				
Owner:	 PLB Vindic AB Sweden		Sheet: 1/1	Drawing number: RAD-03.201		