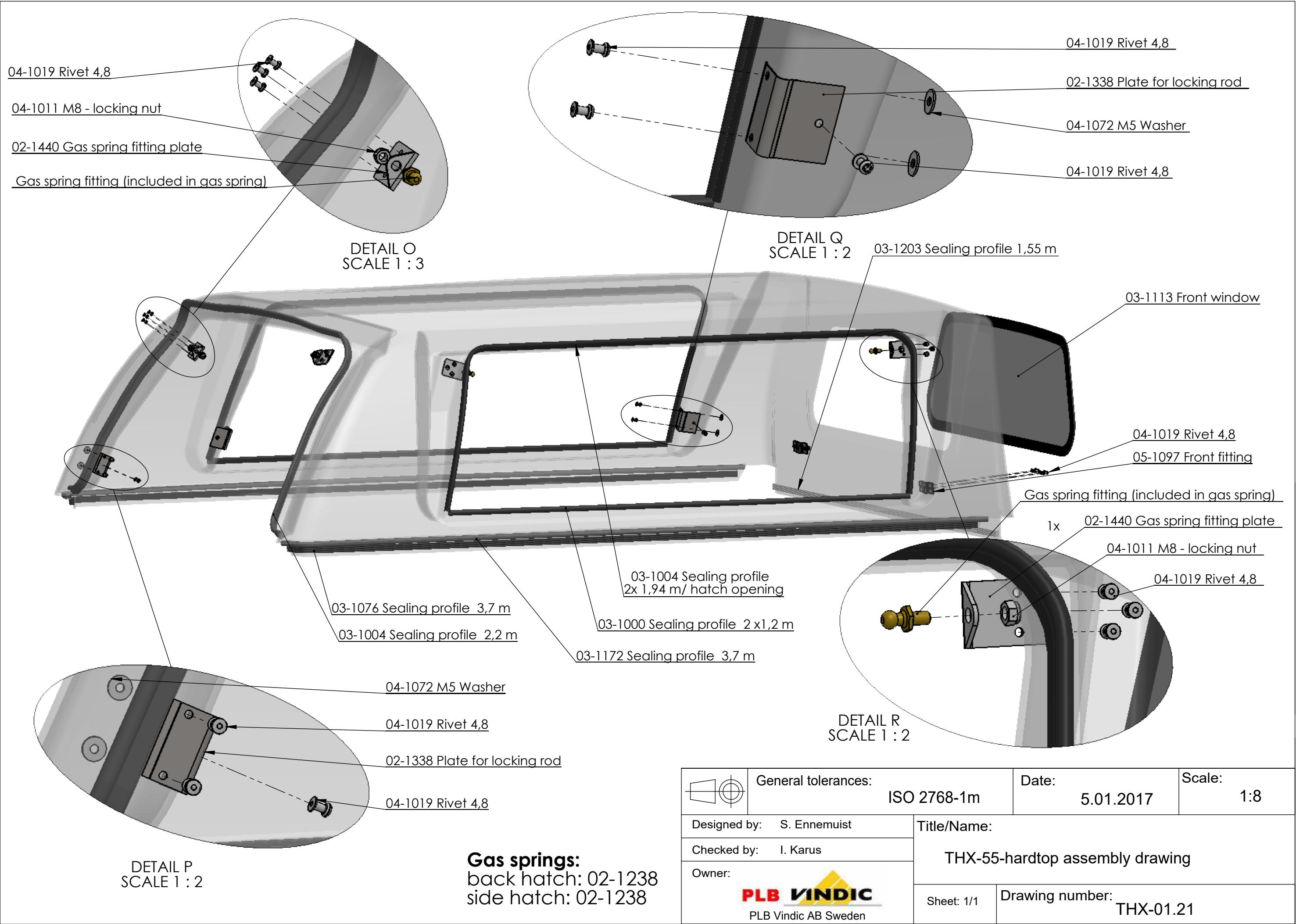
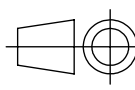

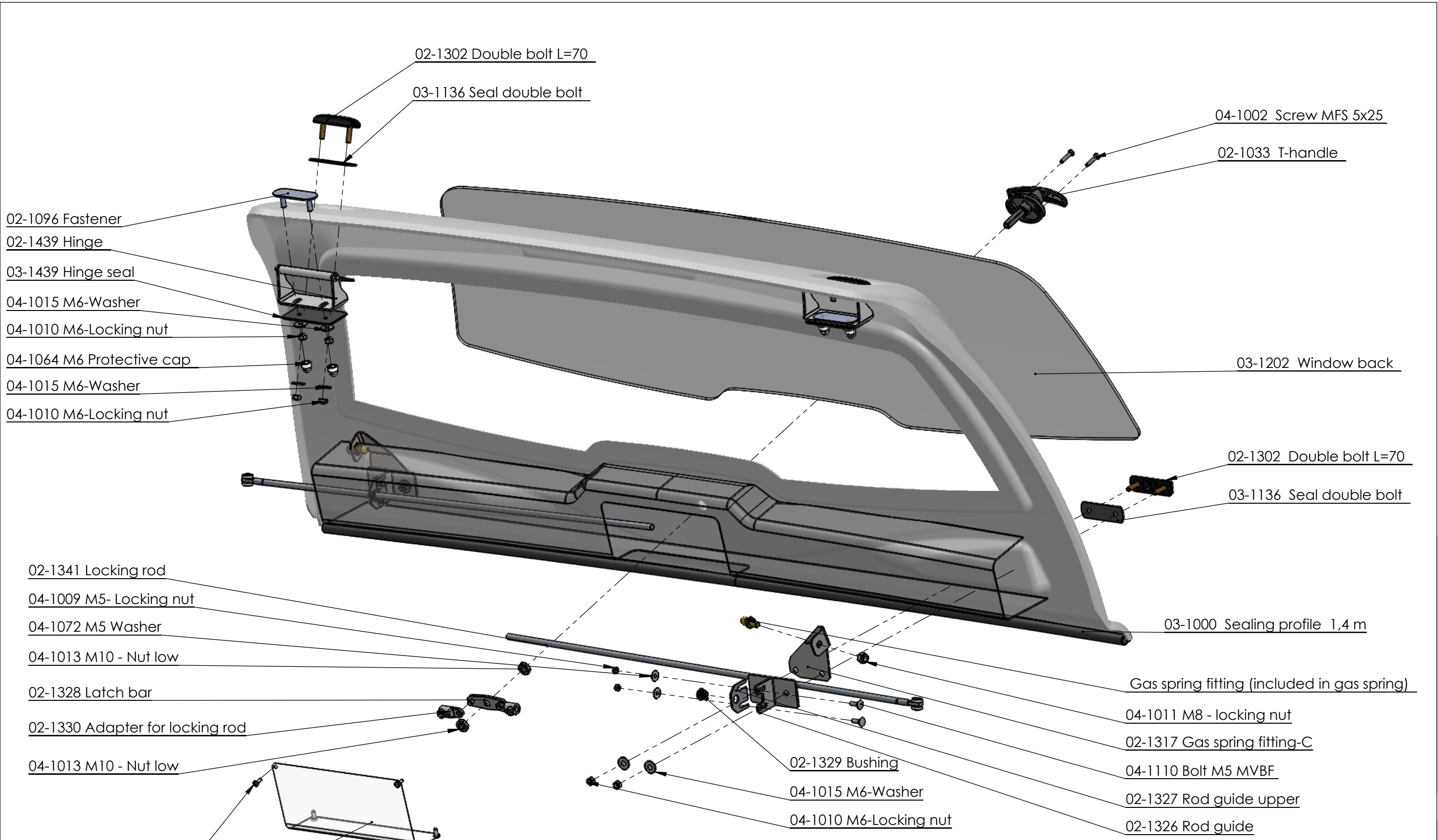


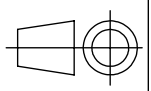

This drawing is the property of PLB Vindic AB. It is strictly confidential and must not be copied, traced or loaned without permission. Any infringement of these conditions will lead to the institution of legal procedures



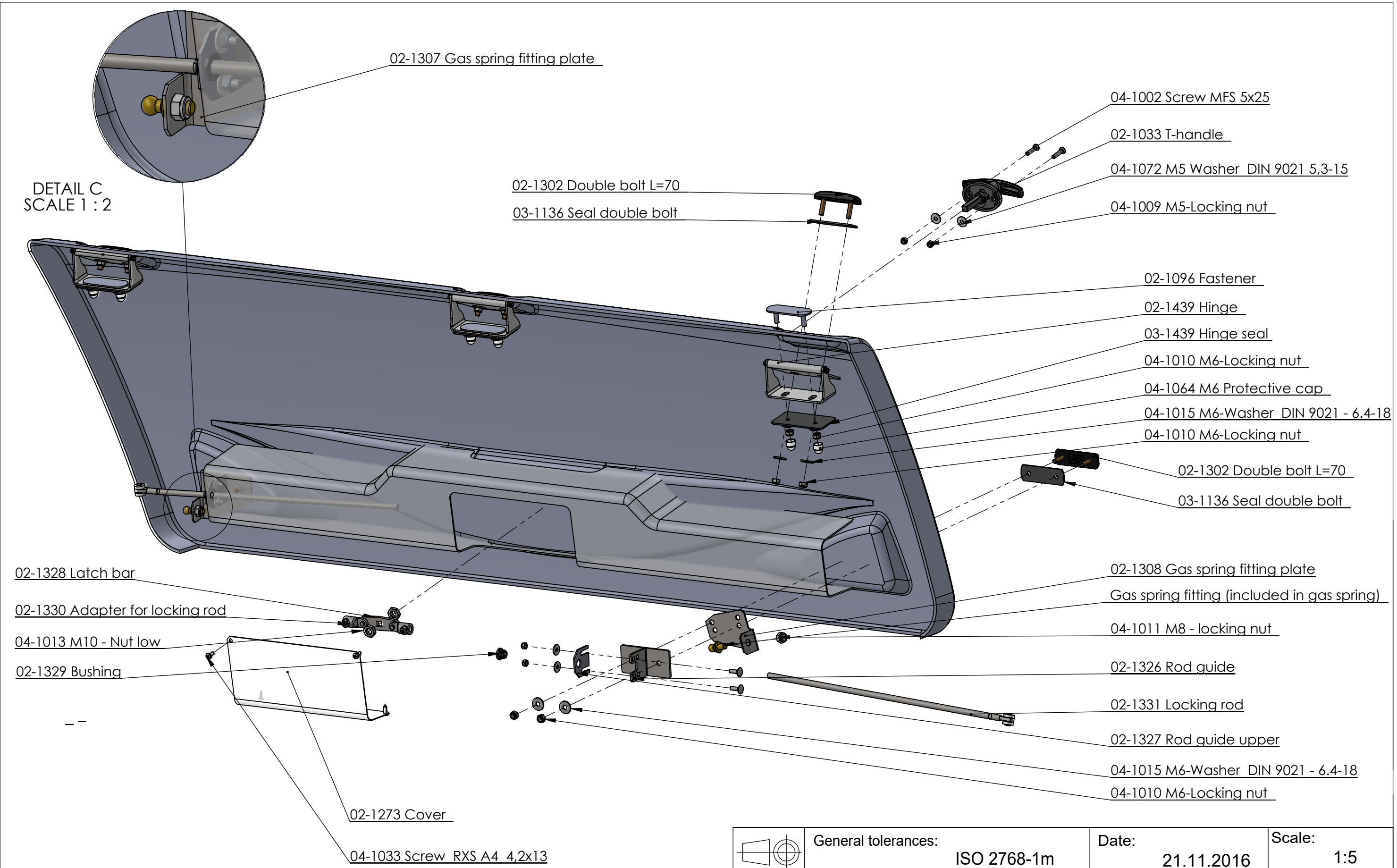
	General tolerances:	ISO 2768-1m	Date:	5.01.2017	Scale:	1:8
	Designed by:	S. Ennemuist		Title/Name:		
Checked by:	I. Karus		THX-55-hardtop assembly drawing			
Owner:	 PLB Vindic AB Sweden		Sheet: 1/1	Drawing number:		
			THX-01.21			

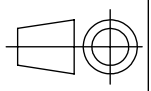

This drawing is the property of PLB Vindic AB. It is strictly confidential and must not be copied, traced or loaned without permission. Any infringement of these conditions will lead to the institution of legal procedures



	General tolerances:	ISO 2768-1m	Date:	28.02.2017	Scale:	1:5
	Designed by:	S. Ennemuist	Title/Name:			
Checked by:	I. Karus	THD-55, THD-0, THX-55 and THX-0 back hatch assembly drawing				
Owner:	 PLB Vindic AB Sweden	Sheet: 1/1	Drawing number:			THD-03.21

This drawing is the property of PLB Vindic AB. It is strictly confidential and must not be copied, traced or loaned without permission. Any infringement of these conditions will lead to the institution of legal procedures



	General tolerances:	ISO 2768-1m	Date:	21.11.2016	Scale:	1:5
	Designed by:	S. Ennemuist		Title/Name:		
Checked by:	I. Karus		THX-55 side hatch assembly drawing			
Owner:	 PLB Vindic AB Sweden		Sheet: 1/1	Drawing number: THX-02.21		