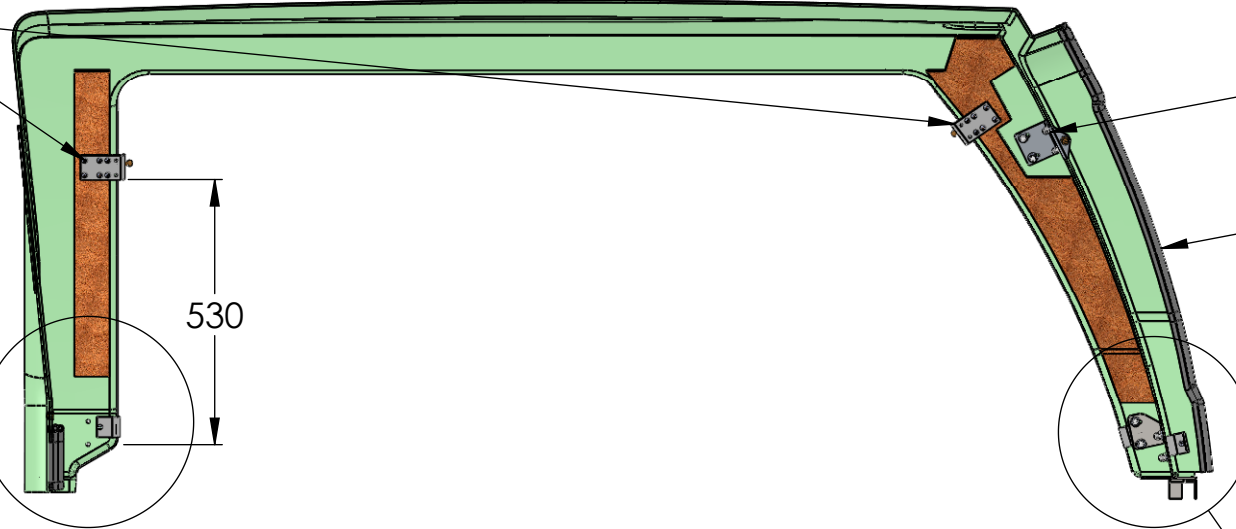
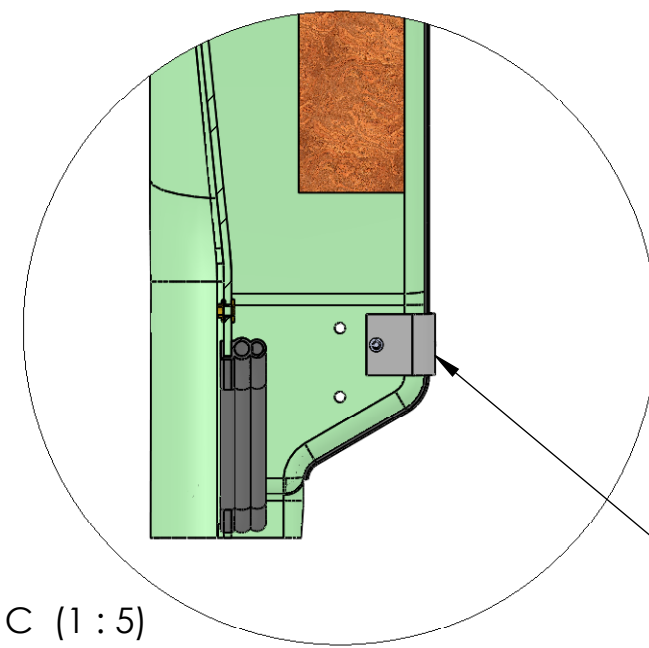


02-1058 Gasdämparfäste/
Gas spring fitting
04-1016 Popnit tät/
Rivet sealed
04-1011 Lockingmutter
Locking nut M8

02-1115 Gasdämparfäste/
Gas spring fitting
02-1096 Fästdon/
Double bolt
04-1010 Låsmutter/
Locking nut M6
04-1011 Låsmutter/
Locking nut M8
04-1015 Bricka/
Washer 6,4*18

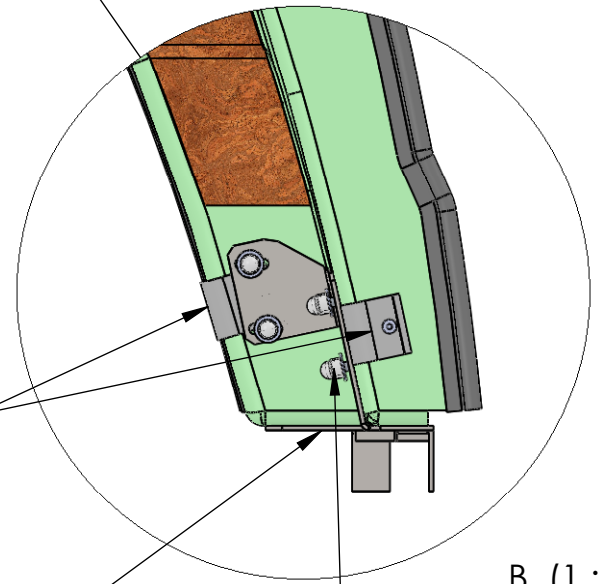


03-1004 Kantlist läpp-slang
Sealing profile

02-1036 Låsbleck/
Plate for locking rod
04-1019 Popnit/
Rivet 4,8*14 A4
04-1072 Bricka/
Washer 5,3*15*1,2 A4

A-A

C (1 : 5)



02-1036 Låsbleck/
Plate for locking rod
04-1019 Popnit/
Rivet 4,8*14 A4
04-1072 Bricka/
Washer 5,3*15*1,2 A4

B (1 : 5)

NOTE! There shall be white plastic caps
04-1064, mounted on all visible M6 nuts
and screw heads (hinges included)
Total amount of caps: 46 Pcs.

03-1099 Glasruta/
Front window



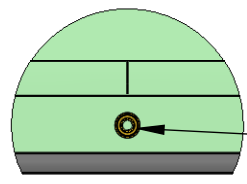
03-1004 Kantlist läpp-slang
Sealing profile

02-1096
Fästdon/
Double bolt

05-1351
Fot Höger/
Foot Right

05-1350
Fot Vänster/
Foot Left

03-1001 Kantlist slang 22mm
Sealing profile 22mm



04-1035 Mollymutter/
Molly nut M6

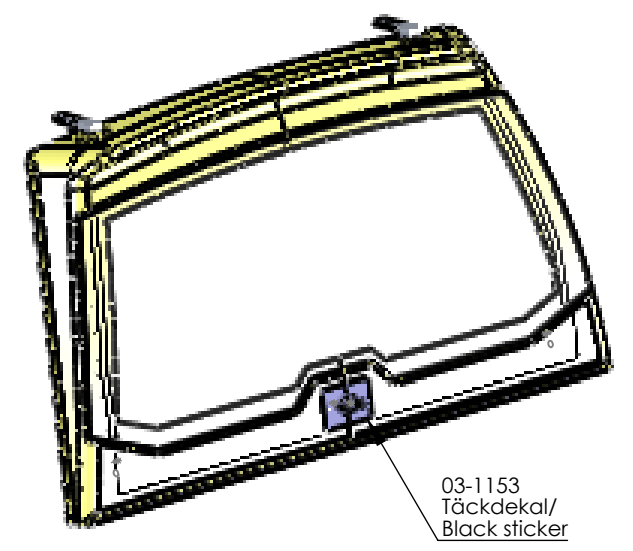
D (1 : 5)

This drawing is the property of PLB Vindic AB. It is strictly confidential and must not be copied, traced or loaned without permission. Any infringement of these conditions will lead to the institution of legal procedures

Designed by RK		General Tolerances ISO 2768-1 m	Filename 733 Bekå-S	Date 2010-09-22	Scale 1:15
Owner PLB Vindic AB Sweden	Title/Name VW5D-, VW5E-1188S Beslagsritning kåpa Assembly drawing hardtop			Drawing number 733 Bekå-S	Edition Sheet 1/1

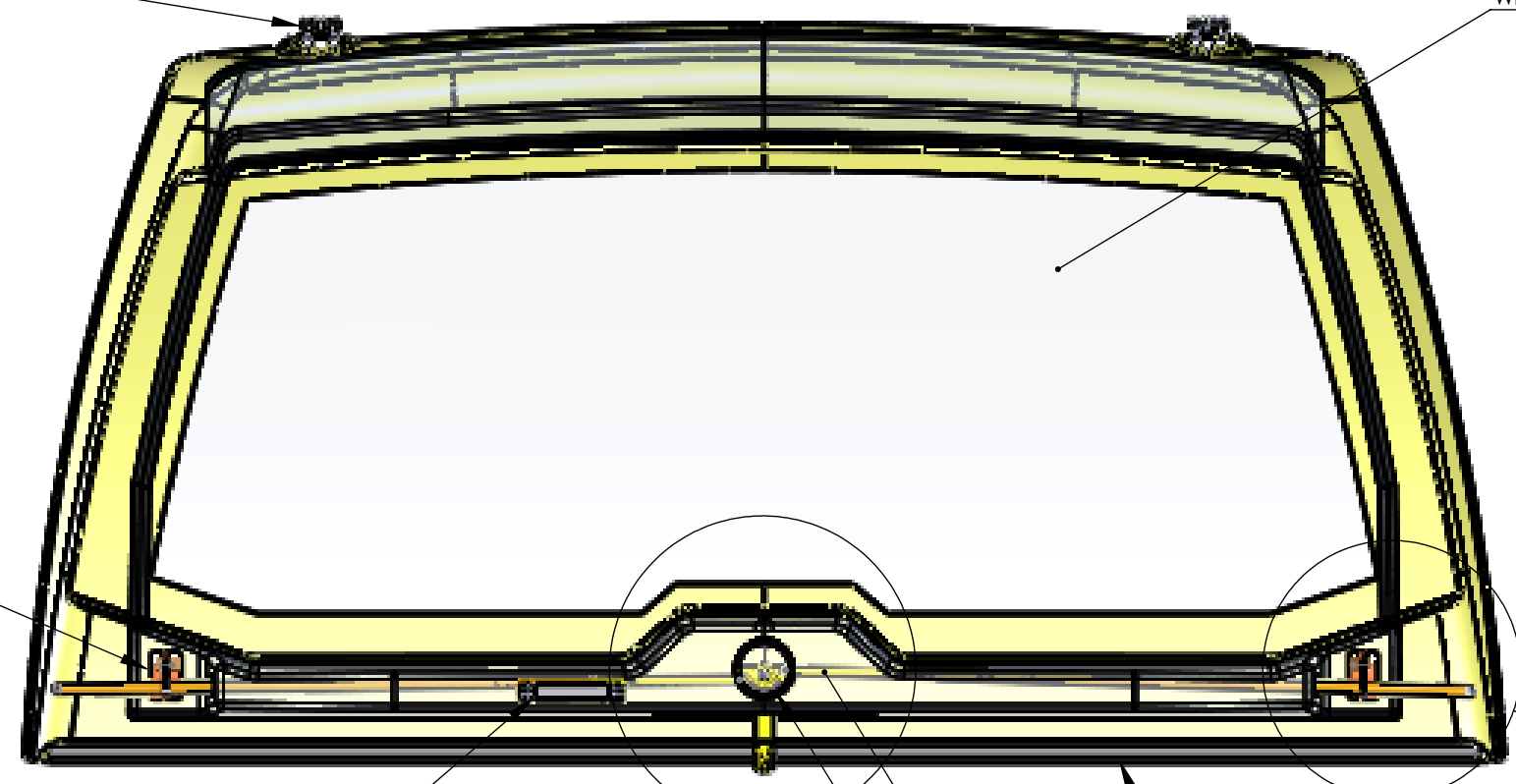
02-1111 Gångjärn Hinges
 04-1010 Låsmutter M6 Locking nut M6
 04-1015 Bricka BRB 6,4*18 A4 Washer 6,4*18 Stainless
 03-1166 Packning/Rubber Gasket

03-1130 Bakruta Window rear



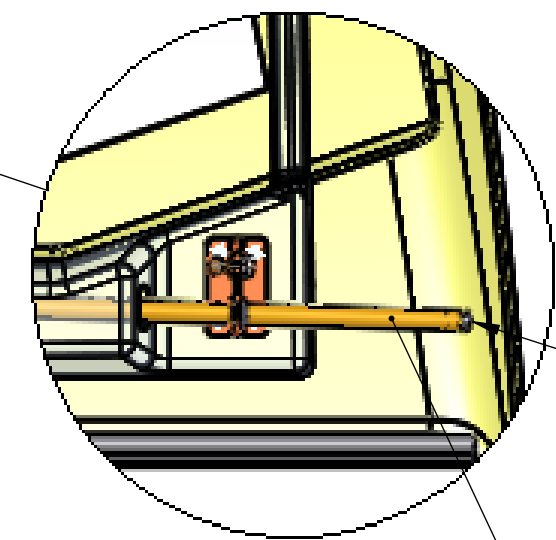
03-1153 Täckdekal/Black sticker

02-1065 Kombibeslag/ Locking rod fitting
 02-1200 Genomföring/ Rubber fitting
 04-1016 Popnit/Rivet 4,8*14, sealed



02-1192 Handtag/Handle Eigenbrodt 830120
 04-1109 Skruv/ Screw MFT M5*16
 04-1073 Molly mutter/ Molly nut

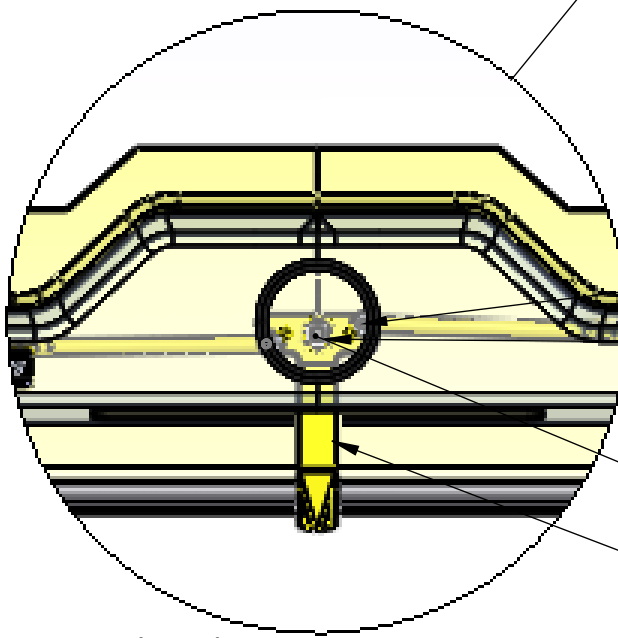
03-1001 Kantlist slang Sealing profile



02-1229 Plastpropp svart/ Plastic end cap

02-1226 Stångregel yttorrör/ Locking rod outer tube L=727mm
 04-1086 Saxpinne/ Split pin 2,5*20

B (1 : 5)



04-1009 Låsmutter/ Locking nut M5
 04-1072 Bricka/ Washer 5,3*15*1,2

02-1223 Stångregel innerrör/ Locking rod inner tube

03-1095 Rörplugg/ Plastic end cap cover

04-1013 Mutter låg/ Nut M10 thin

02-1033 T-lås/ T-handle
 04-1002 Skruv/ Screw MFS 5*25
 04-1009 Låsmutter/ Locking nut M5
 04-1072 Bricka/ Washer 5,3*15*1,2

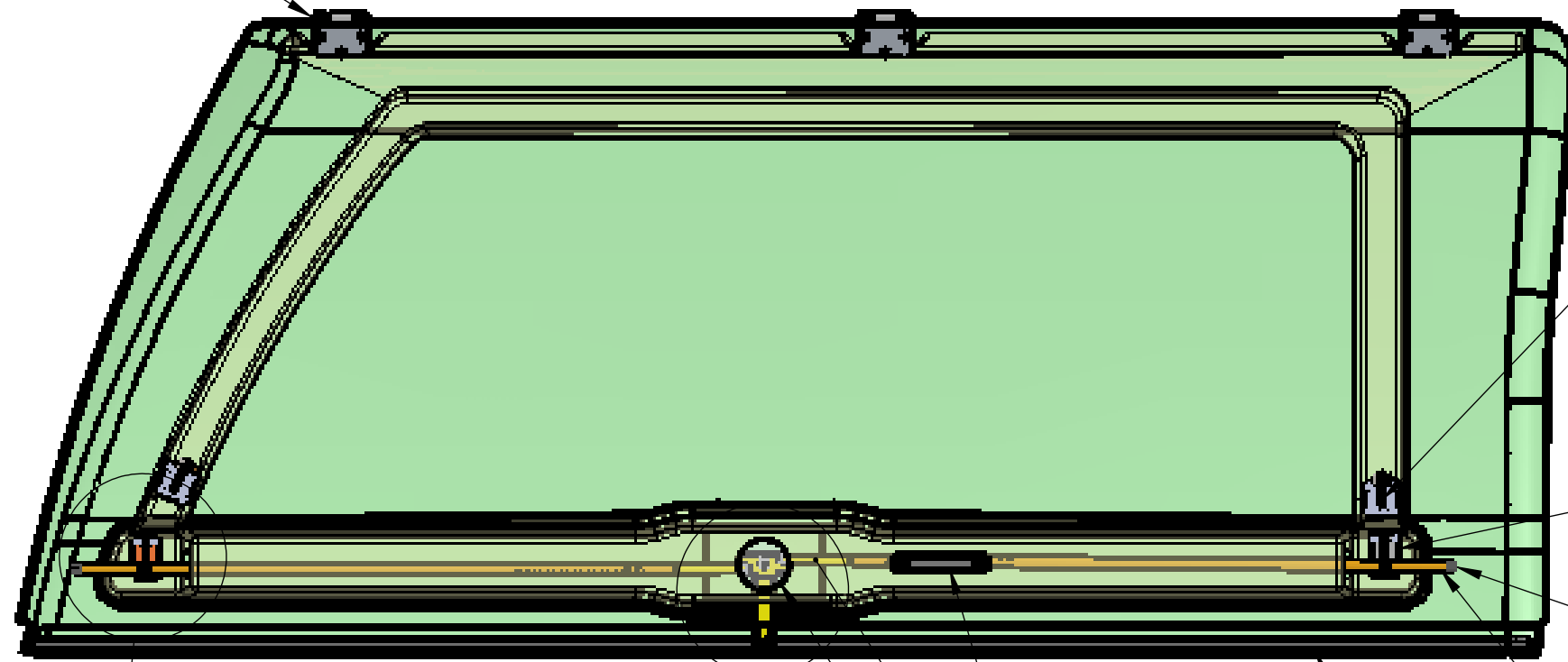
02-1116 Stångregelcentrum/ Latch bar

A (1 : 5)

This drawing is the property of PLB Vindic AB. It is strictly confidential and must not be copied, traced or loaned without permission. Any infringement of these conditions will lead to the institution of legal procedures

Designed by RK		General Tolerances ISO 2768-1 m	Filename 731 Bebalu-S	Date 2010-09-20	Scale 1:10
Owner 		Title/Name VW5D-, VW5E-1188S Beslagsritning baklucka Assembly drawing rear hatch			
PLB Vindic AB Sweden			Drawing number 731 Bebalu-S	Edition	Sheet 1/1

02-1250
Gångjärn/ Hinge
04-1095
Monobolt/ Blind rivet "Monobolt"
2711-0824
04-1015 Bricka/ Washer 6,4*18



02-1063
Gasdämparfäste
Gas spring fitting
04-1077
Splitnit/ Peel rivet
TAPD 617 SW
04-1011 Låsmutter/
Locking nut M8

02-1065 Kombibeslag/
Locking rod fitting
02-1200 Genomföring/
Rubber fitting
04-1016 Popnit/Rivet
4,8*14, sealed

02-1229 Plastpropp svart/
Plastic end cap

02-1227 Stångregel yttorrör/
Locking rod outer tube
L=887mm
04-1086 Saxpinne/
Split pin 2,5*20

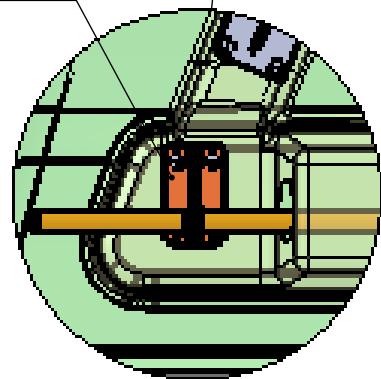
06-8051
Kantlist slang
Sealing profile

02-1192 Handtag/Handle
Eigenbrodt 830120
04-1109 Skruv/ Screw
MFT M5*16
04-1073 Molly mutter/
Molly nut

02-1223 Stångregel innersör/
Locking rod inner tube

03-1095 Rörplugg/
Plastic end cap cover

02-1065 Kombibeslag/
Locking rod fitting
02-1200 Genomföring/
Rubber fitting
04-1016 Popnit/Rivet
4,8*14, sealed



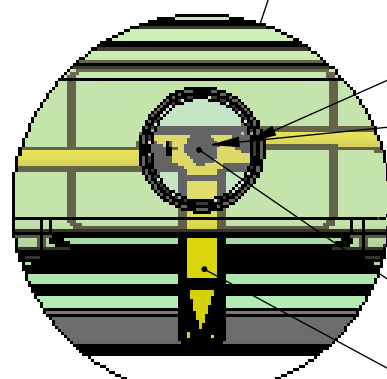
B (1:5)

04-1009 Låsmutter/
Locking nut M5
04-1072 Bricka/
Washer 5,3*15*1,2

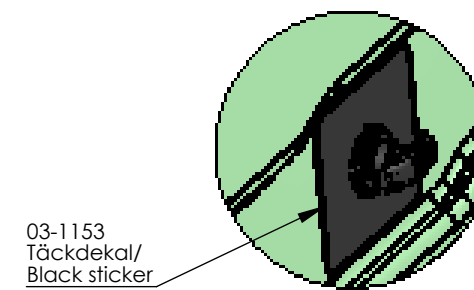
04-1013 Mutter låg/
Nut M10 thin

02-1033 T-lås/
T-handle
04-1002 Skruv/
Screw MFS 5*25
04-1009 Låsmutter/
Locking nut M5
04-1072 Bricka/
Washer 5,3*15*1,2

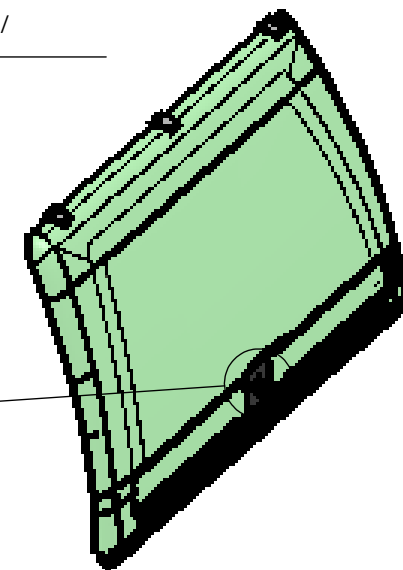
02-1116 Stångregelcentrum/
Latch bar



A (1:5)



C (1:5)



Designed by RK		General Tolerances ISO 2768-1 m	Filename 732 Besilu-S	Date 2010-08-23	Scale 1:10
Owner PLB VINDIC PLB Vindic AB Sweden		Title/Name VW5D-, VW5E-1188S Beslagsritning sidolucka Assembly drawing Side hatch			
Drawing number 732 Besilu-S			Edition	Sheet 1/1	

This drawing is the property of PLB Vindic AB. It is strictly confidential and must not be copied, traced or loaned without permission. Any infringement of these conditions will lead to the institution of legal procedures