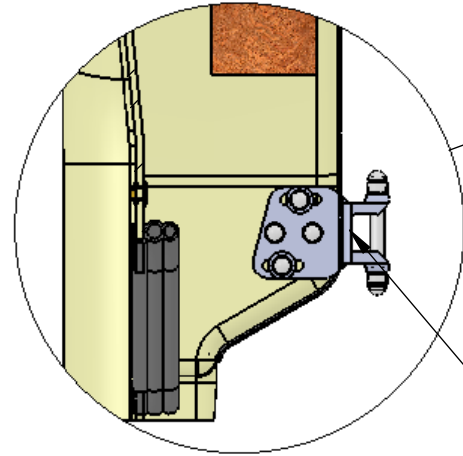


02-1058 Gasdämparfäste/
Gas spring fitting
04-1016 Popnit tät/ Rivet
sealed
04-1011 Lockingmutter
Locking nut M8

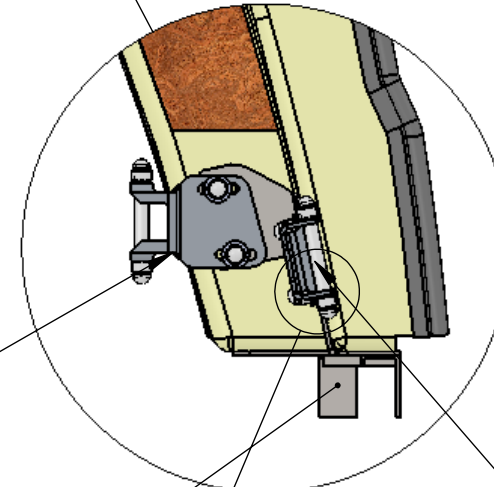
02-1115 Gasdämparfäste/
Gas spring fitting
02-1096 Fästdon/ Double bolt
04-1010 Låsmutter/ Locking nut M6
04-1011 Låsmutter/ Locking nut M8
04-1015 Bricka/ Washer 6,4*18



02-1284 Låsklack fram hö
Striker fitting front R
02-1280 Distansrör/ Tube
02-1096 Fästdon/
Double bolt
04-1010 Locking mutter/
Locking nut M6
04-1014 Bricka/ Washer
6,4*12
04-1015 Bricka/ Washer
6,4*18
04-1100 Skruv/ Screw
M6*60

A-A

02-1282 Låsklack R
Striker fitting R
02-1280 Distansrör/ Tube
02-1096 Fästdon/
Double bolt
04-1010 Locking mutter/
Locking nut M6
04-1014 Bricka/ Washer
6,4*12
04-1015 Bricka/ Washer
6,4*18
04-1100 Skruv/ Screw
M6*60



02-1281 Låsklack L
Striker fitting L
02-1280 Distansrör/ Tube
02-1096 Fästdon/
Double bolt
04-1010 Locking mutter/
Locking nut M6
04-1014 Bricka/ Washer
6,4*12
04-1015 Bricka/ Washer
6,4*18
04-1100 Skruv/ Screw
M6*60

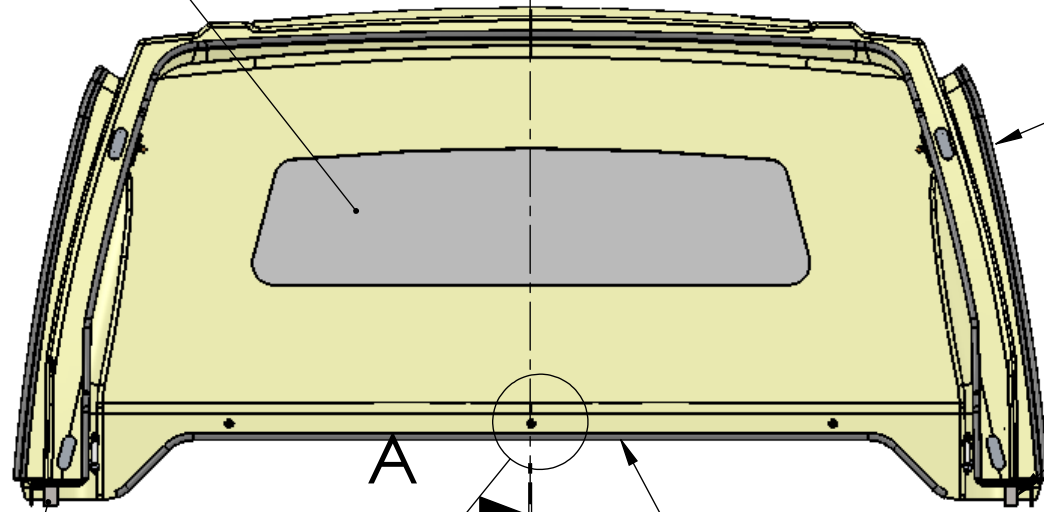
03-1099 Glasruta/
Front window

A

03-1004 Kantlist läpp-slang
Sealing profile

L=3,4 m (x2)

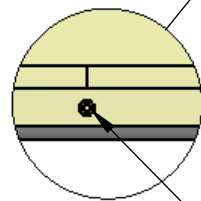
05-1351
Fot Höger/ Foot Right



05-1350
Fot Vänster/ Foot Left

03-1001 Kantlist slang 22mm
Sealing profile 22mm

L=1,8 m



04-1035 Mollymutter/
Molly nut M6

NOTE! There shall be white plastic caps
04-1064, mounted on all visible M6 nuts
and screw heads (hinges included)
Total amount of caps: 62 Pcs.

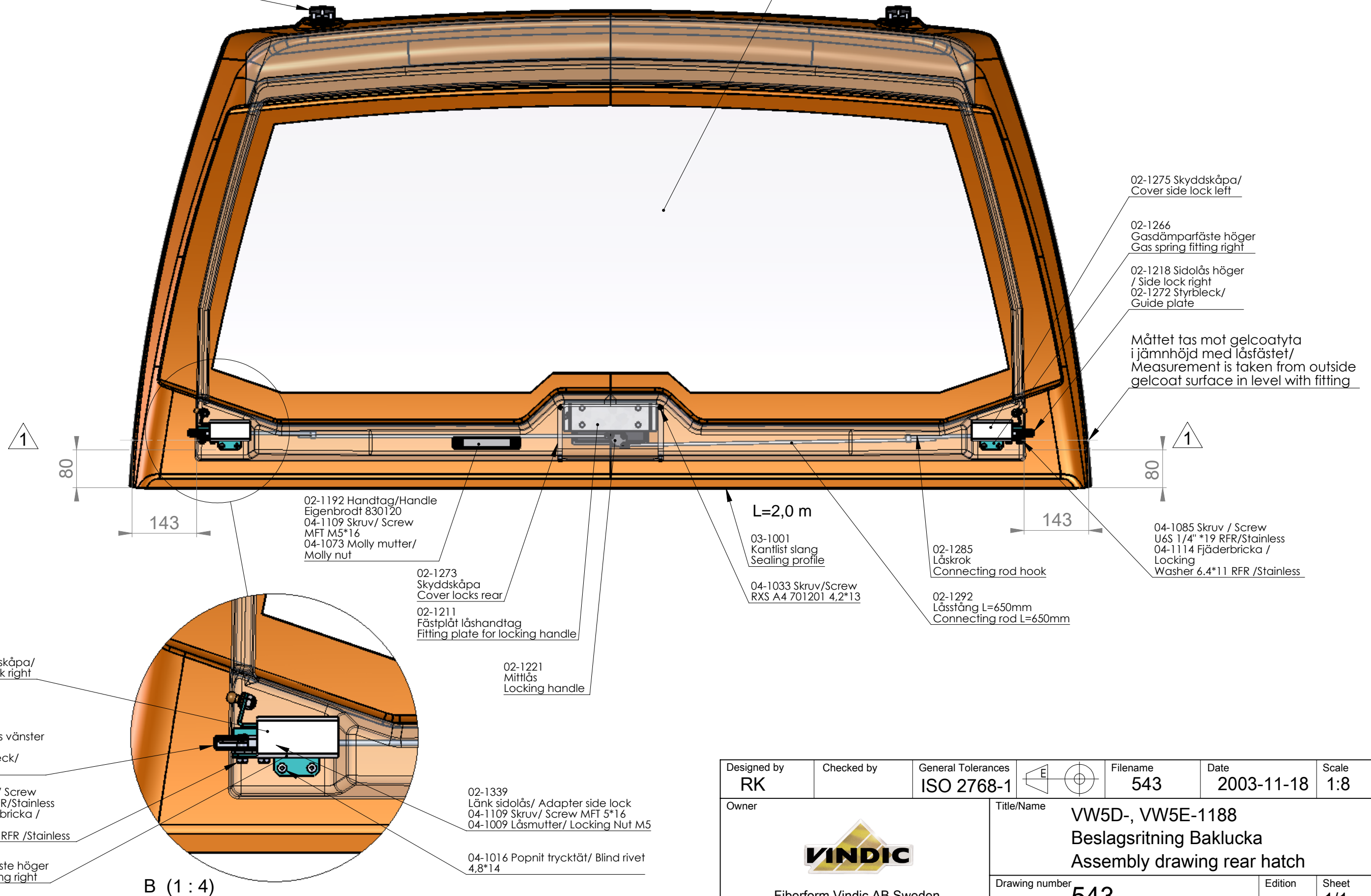
This drawing is the property of PLB Vindic AB. It is strictly confidential and must not be copied, traced or loaned without permission. Any infringement of these conditions will lead to the institution of legal procedures

Designed by RK		General Tolerances ISO 2768-1 m	Filename 730 Bekå	Date 2010-06-28	Scale 1:15
Owner PLB VINDIC PLB Vindic AB Sweden		Title/Name VW5D-, VW5E-1155 Beslagsritning kåpa Assembly drawing hardtop			Edition
Drawing number 730 Bekå				Sheet 1/1	

RevNo	Revision note	Date	Signature
1	Mått ändrat	2004-08-17	MIG
2	Omritad-kompletterad	2010-06-22	RK

02-1111 Gångjärn
Hinges
04-1010 Låsmutter M6
Locking nut M6
04-1015 Bricka BRB 6,4*18 A4
Washer 6,4*18 Stainless
03-1166 Packning/
Rubber Gasket

03-1130 Bakruta
Window rear



Designed by RK	Checked by	General Tolerances ISO 2768-1	Filename 543	Date 2003-11-18	Scale 1:8
Owner Fiberform Vindic AB Sweden			Title/Name VW5D-, VW5E-1188 Beslagsritning Baklucka Assembly drawing rear hatch		
			Drawing number 543	Edition	Sheet 1/1

This drawing is the property of Fiberform Vindic AB. It is strictly confidential and must not be copied, traced or loaned without permission. Any infringement of these conditions will lead to the institution of legal procedures

02-1250
Gångjärn/ Hinge
04-1095
Monobolt/ Blind rivet "Monobolt"
2711-0824
04-1015 Bricka/ Washer 6,4*18

02-1063
Gasdämparfäste
Gas spring fitting
04-1077
Splitnit/ Peel rivet
TAPD 617 SW

02-1275 Skyddskåpa/
Cover side lock left

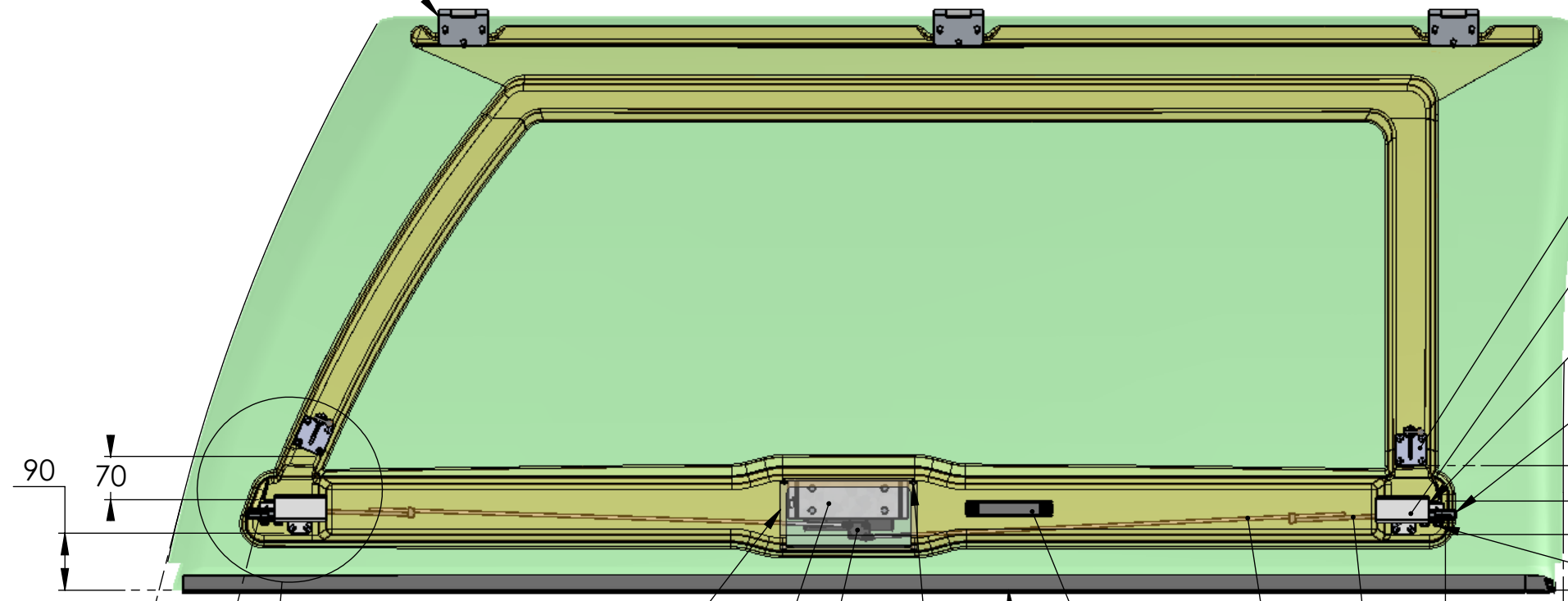
02-1265
Gasdämparfäste vänster
Gas spring fitting left

02-1218 Sidolås höger
/ Side lock right
02-1272 Styrplåt/
Guide plate

50

04-1085 Skruv / Screw
U6S 1/4" *19 RFR/Stainless
04-1114 Fjäderbricka /
Locking
Washer 6.4*11 RFR /Stainless

88



02-1274 Skyddskåpa/
Cover side lock right

02-1273
Skyddskåpa
Cover locks rear

02-1285
Låskrok
Connecting rod hook

02-1219 Sidolås vänster
/ Side lock left
02-1272 Styrplåt/
Guide plate

02-1211
Fästplåt låshandtag
Fitting plate for locking handle

06-8051
Kantlist slang
Sealing profile

02-1286
Låsstång L=775mm
Connecting rod L=775mm

04-1085 Skruv / Screw
U6S 1/4" *19 RFR/Stainless
04-1114 Fjäderbricka /
Locking
Washer 6.4*11 RFR /Stainless

02-1221
Mittlås
Locking handle

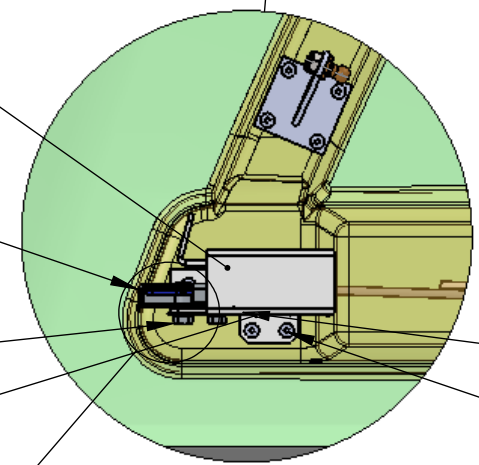
L=2,3 m
04-1033 Skruv/Screw
RXS A4 701201 4,2*13

02-1192 Handtag/Handle
Eigenbrodt 830120
04-1109 Skruv/ Screw
MFT M5*16
04-1073 Molly mutter/
Molly nut

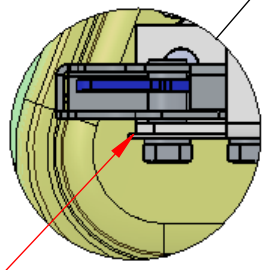
02-1266
Gasdämparfäste höger
Gas spring fitting right

02-1339
Länk sidolås/ Adapter side lock
04-1109 Skruv/ Screw MFT 5*16
04-1009 Låsmutter/ Locking Nut M5

04-1016 Popnit trycktät/ Blind rivet
4,8*14



A (1 : 5)

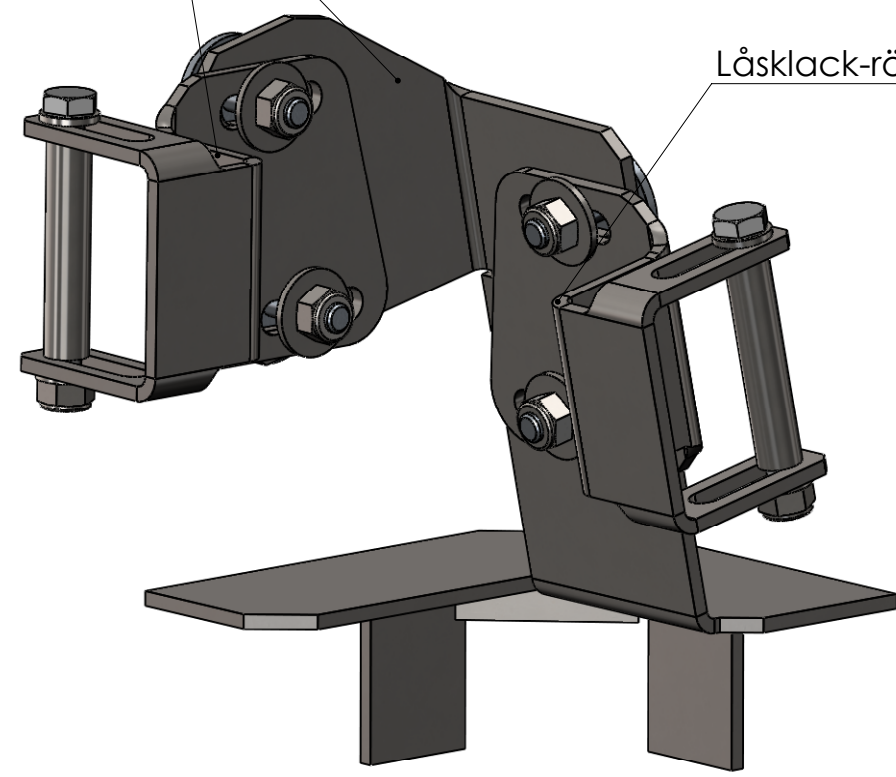


Measurement point
for "115"

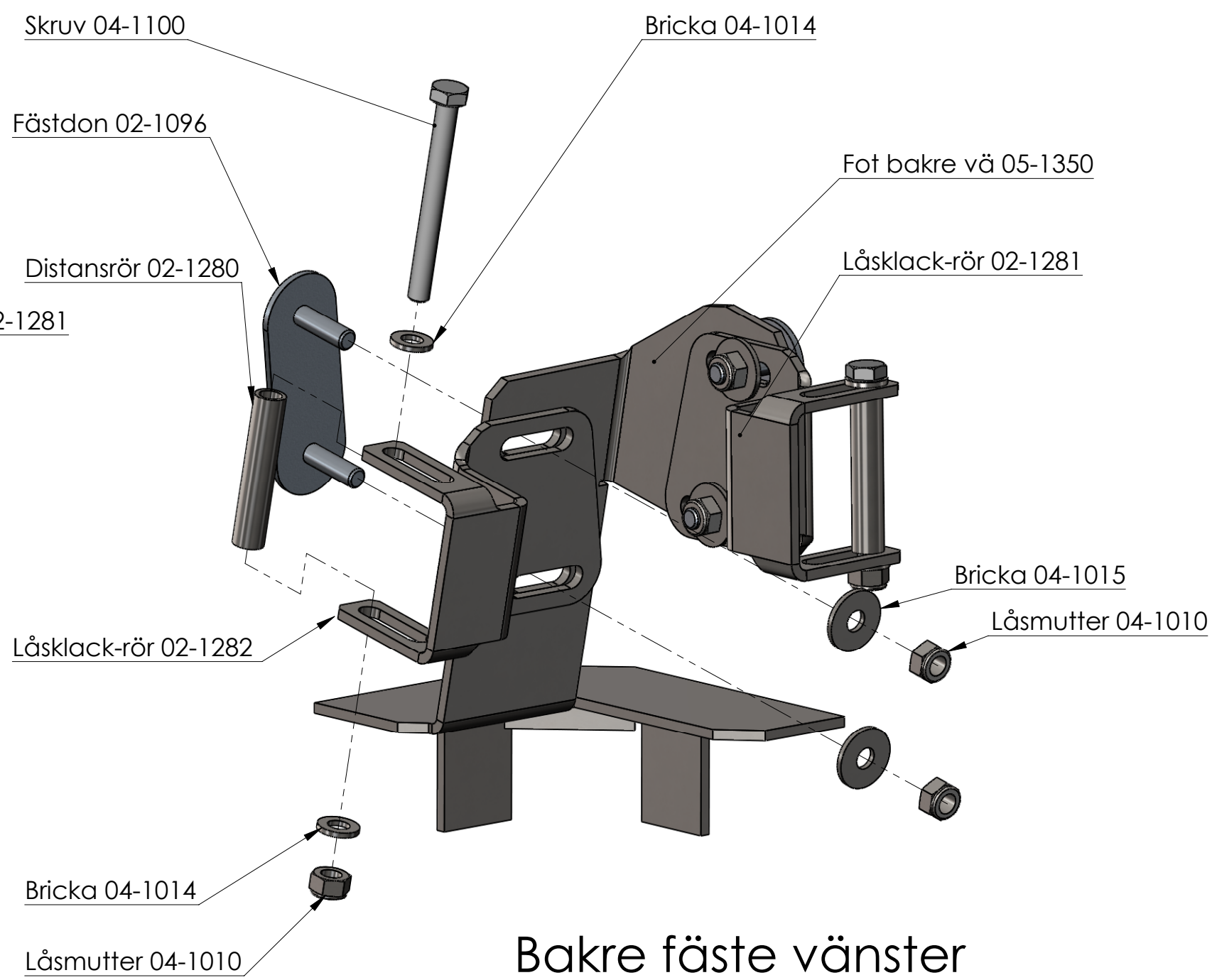
This drawing is the property of PLB Vindic AB. It is strictly confidential and must not be copied, traced or loaned without permission. Any infringement of these conditions will lead to the institution of legal procedures

Designed by RK		General Tolerances ISO 2768-1 m	Filename 729 Besilu	Date 2010-06-23	Scale 1:10
Owner PLB VINDIC PLB Vindic AB Sweden		Title/Name VW5D-, VW5E-1188 Beslagsritning Sidolucka Assembly drawing side hatch			
Drawing number 729 Besilu			Edition	Sheet 1/1	

Fot bakre hö 05-1351
Låsklack-rör 02-1282



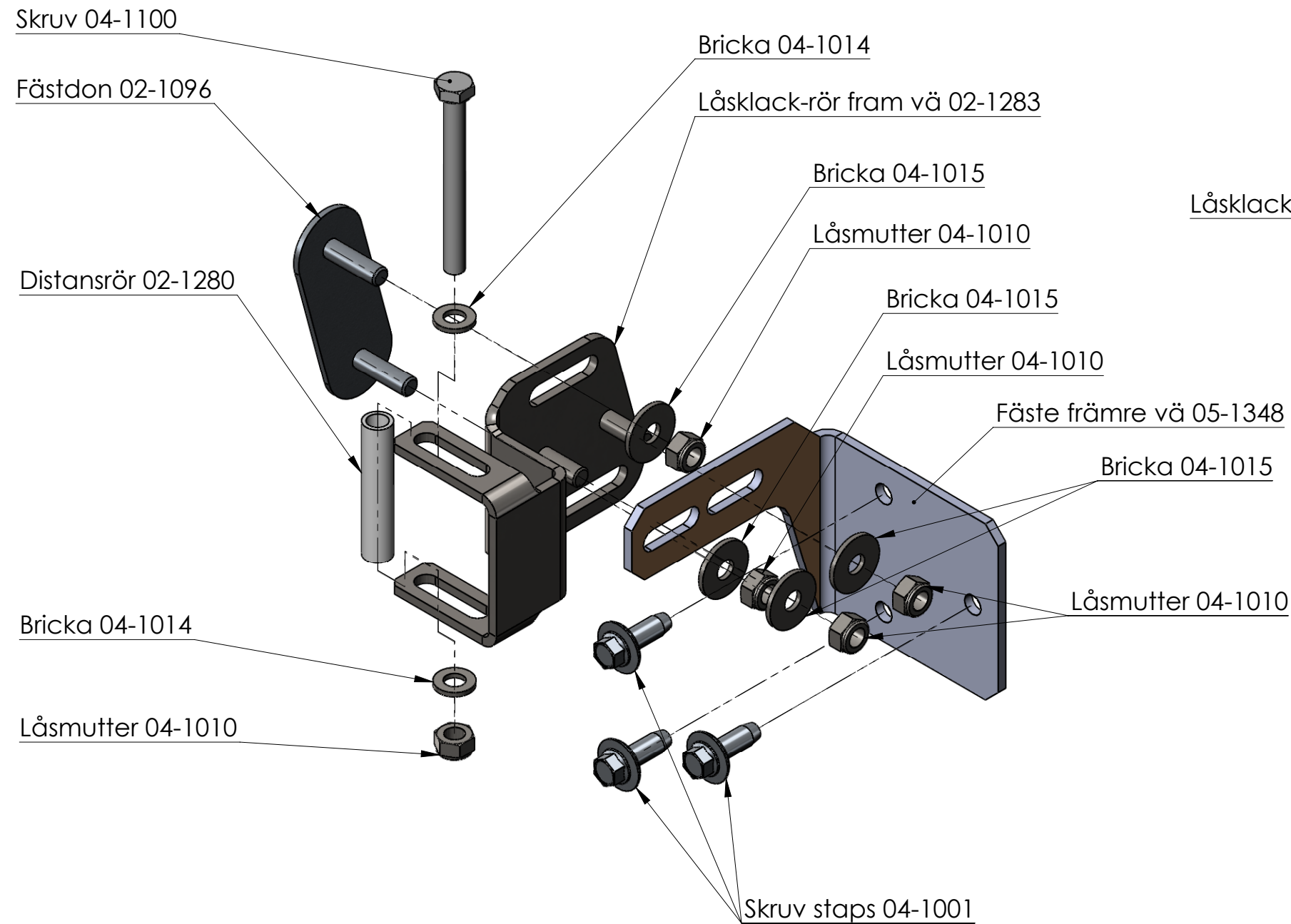
Bakre fäste höger



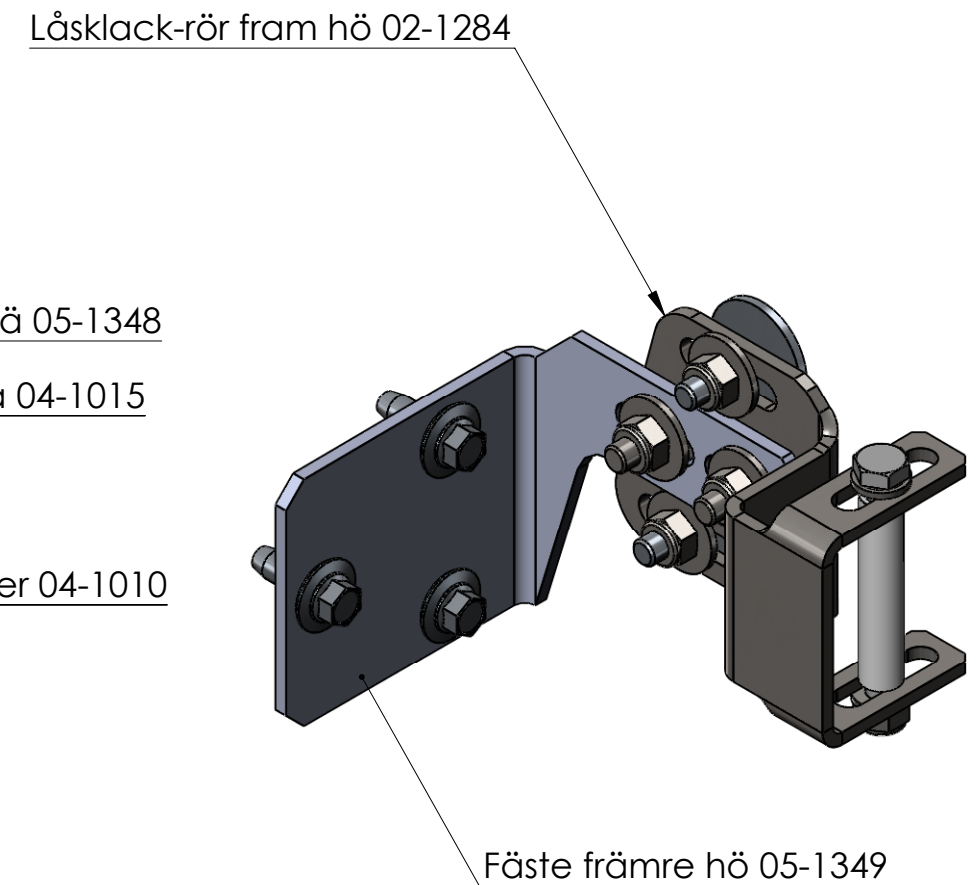
Bakre fäste vänster

This drawing is the property of PLB Vindic AB. It is strictly confidential and must not be copied, traced or loaned without permission. Any infringement of these conditions will lead to the institution of legal procedures

Designed by RK		General Tolerances ISO 2768-1 m	Filename Bakre fäste resdelar VW T5	Date 2012-03-28	Scale 2:3
Owner PLB Vindic AB Sweden		Title/Name VW5D/ VW5E Bakre fästen Reservdelar			
Drawing number Bakre fäste resdelar VW T5			Edition	Sheet 1/1	



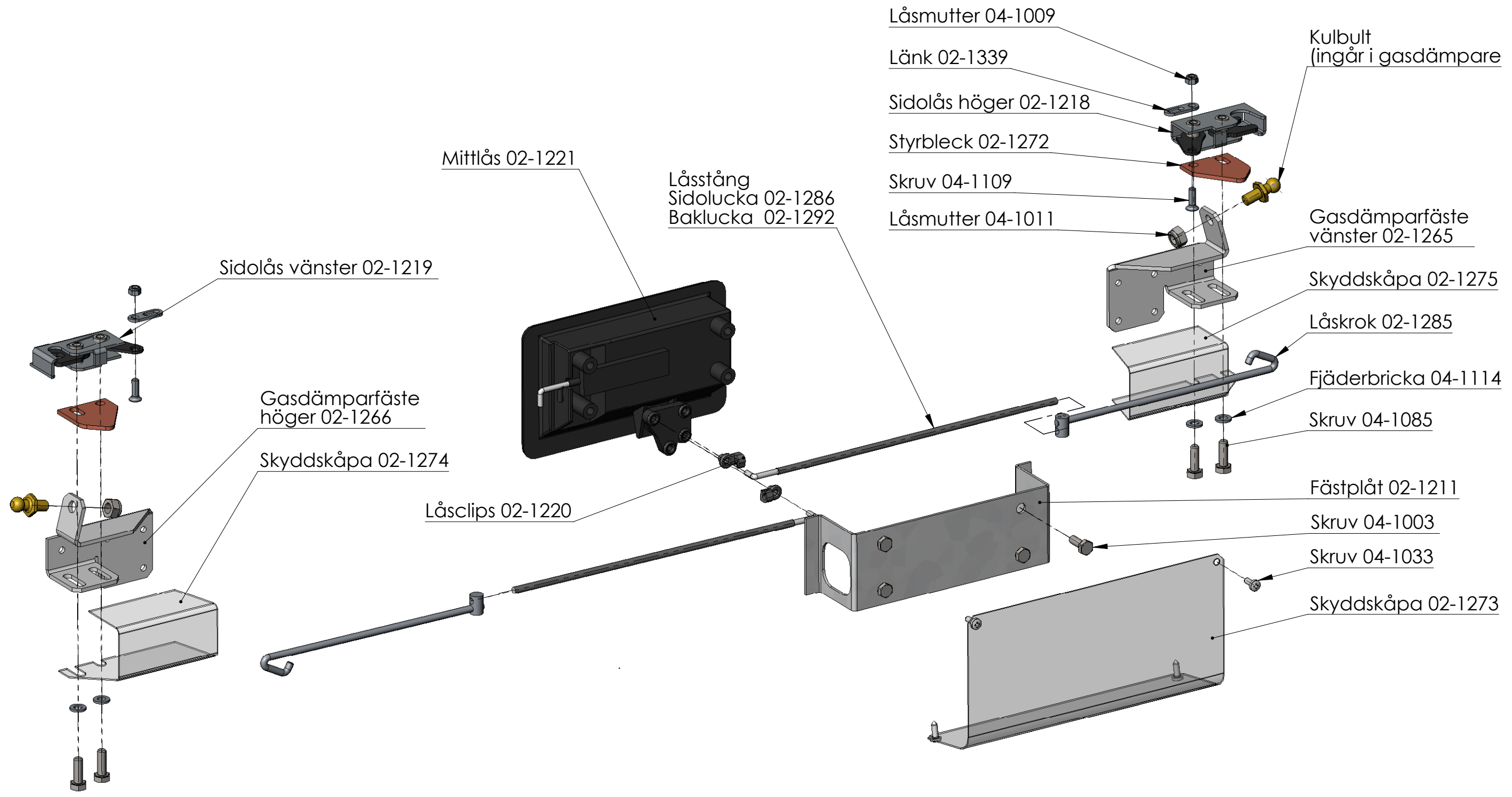
Vänster sida



Höger sida

This drawing is the property of PLB Vindic AB. It is strictly confidential and must not be copied, traced or loaned without permission. Any infringement of these conditions will lead to the institution of legal procedures

Designed by RK		General Tolerances ISO 2768-1 m	Filename Främre fästen resdelar VW T5	Date 2012-03-28	Scale 2:3
Owner PLB VINDIC PLB Vindic AB Sweden			Title/Name VW5D/ VW5E Främre fästen Reservdelar		
			Drawing number Främre fästen resdelar VW T5	Edition	Sheet 1/1



Vy från insidan av luckan

This drawing is the property of PLB Vindic AB. It is strictly confidential and must not be copied, traced or loaned without permission. Any infringement of these conditions will lead to the institution of legal procedures

Designed by RK		General Tolerances ISO 2768-1 m	Filename Låssystem resdelar VW 2009-03-12	Date 2009-03-12	Scale 1:3
Owner PLB VINDIC PLB Vindic AB Sweden		Title/Name VW5D/VW5E Låssystem Reservdelar			
Drawing number Låssystem resdelar VW T5			Edition	Sheet	