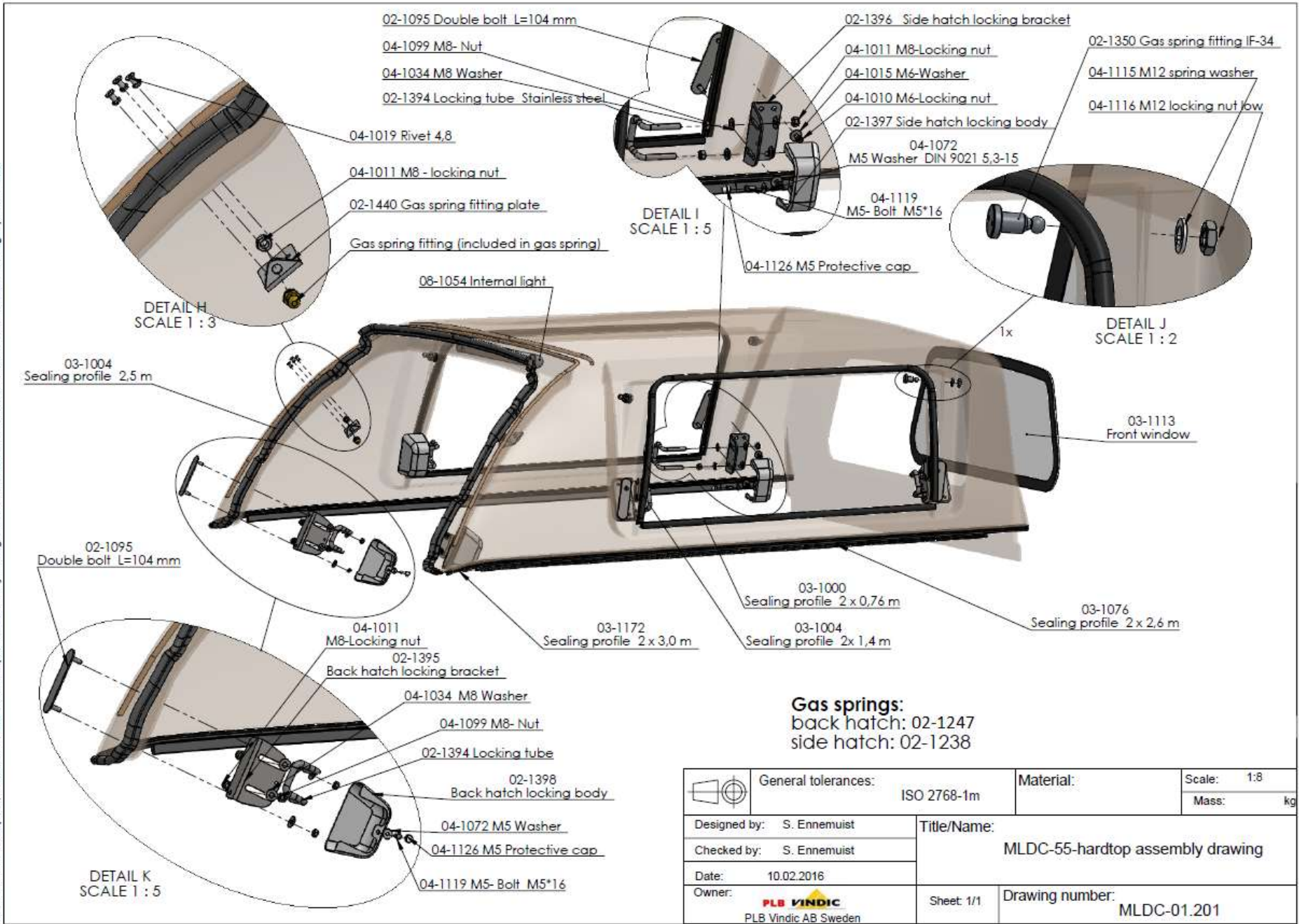
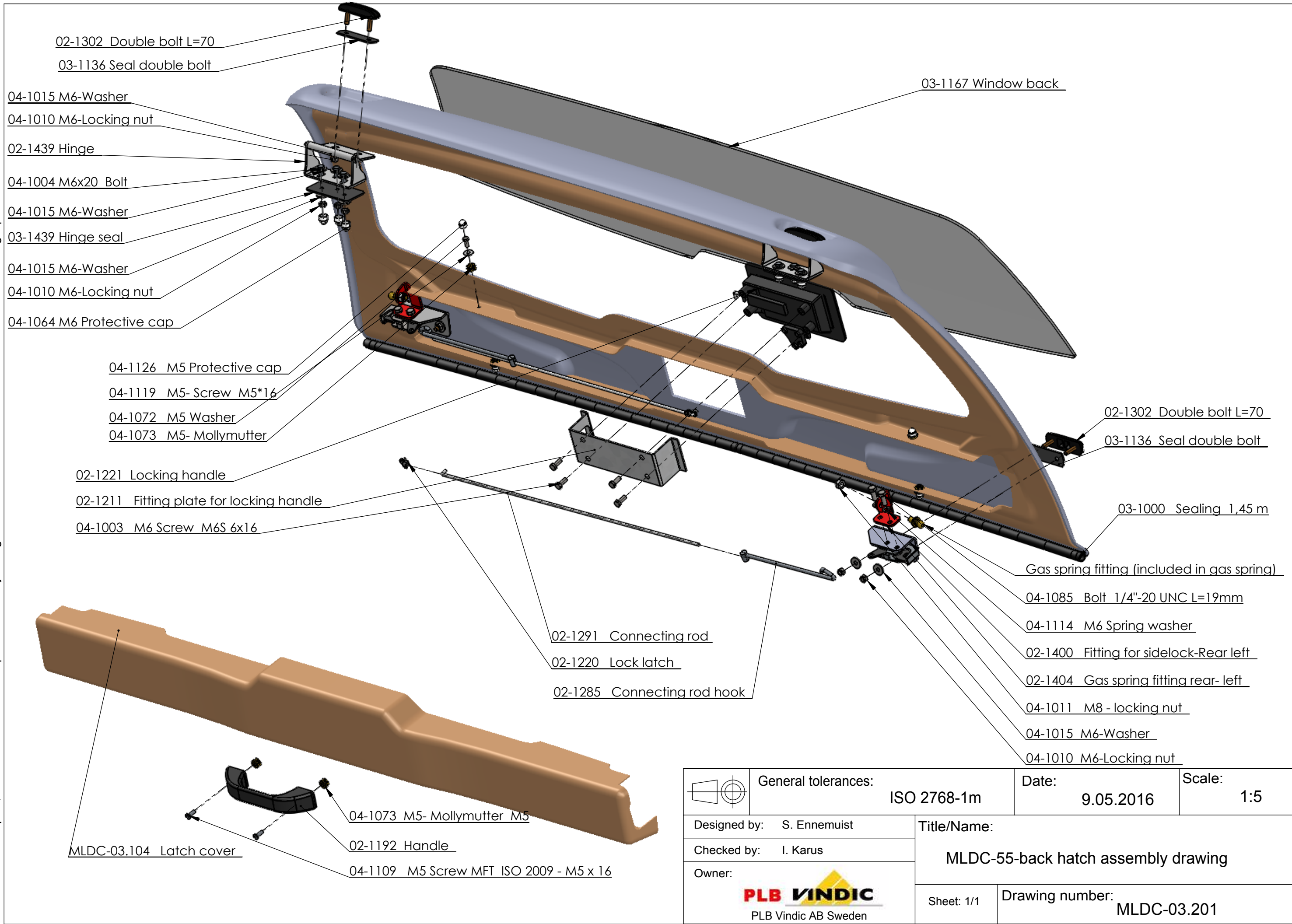


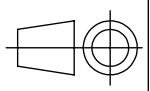
This drawing is the property of PLB Vindic AB. It is strictly confidential and must not be copied, traced or loaned without permission. Any infringement of these conditions will lead to the institution of legal procedures



	General tolerances:	ISO 2768-1m	Material:	Scale: 1:8
				Mass: kg
Designed by:	S. Ennemuist		Title/Name: MLDC-55-hardtop assembly drawing	
Checked by:	S. Ennemuist			
Date:	10.02.2016		Drawing number: MLDC-01.201	
Owner:	 PLB Vindic AB Sweden			
	Sheet 1/1			

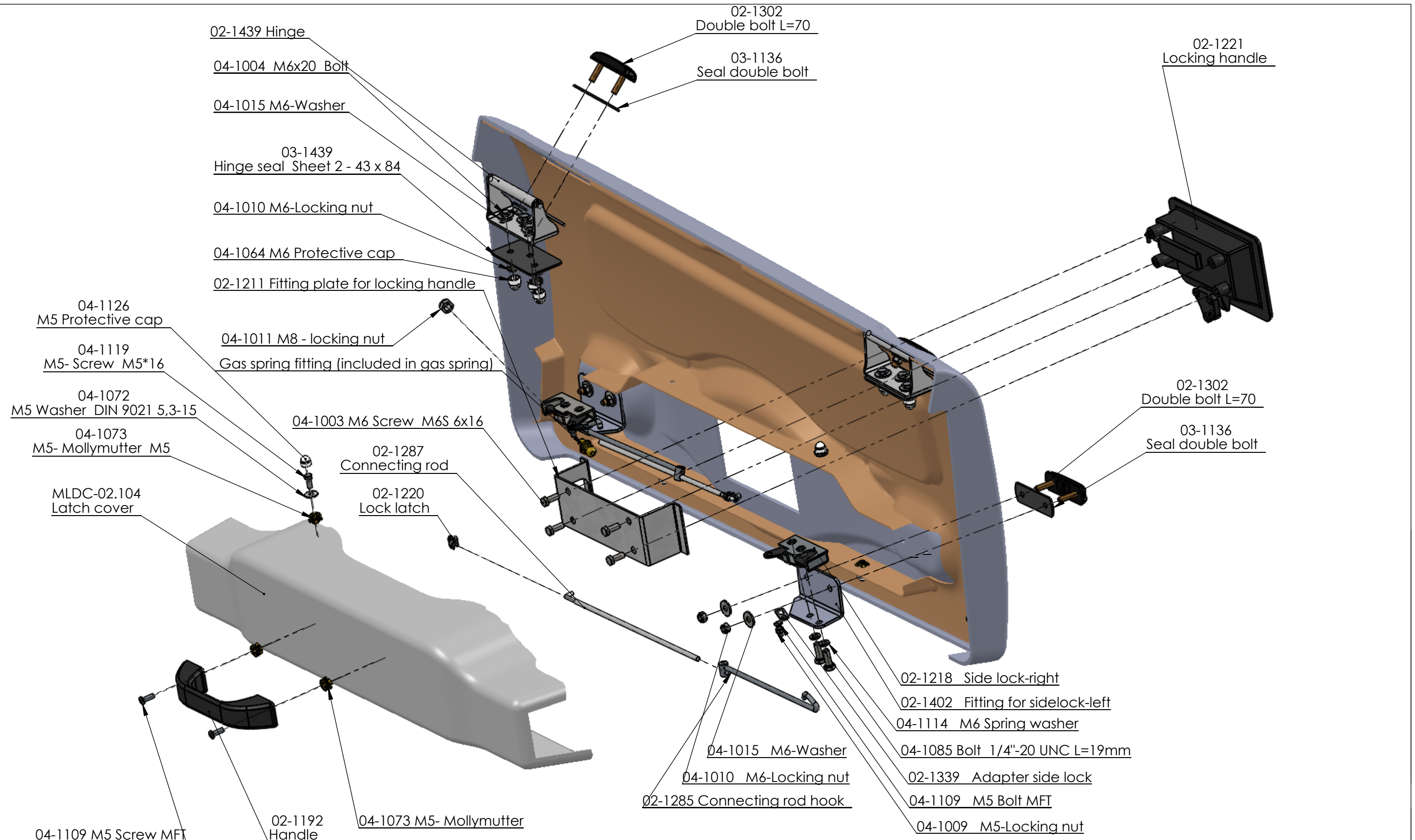
This drawing is the property of PLB Vindic AB. It is strictly confidential and must not be copied, traced or loaned without permission. Any infringement of these conditions will lead to the institution of legal procedures



	General tolerances: ISO 2768-1m	Date: 9.05.2016	Scale: 1:5
	Designed by: S. Ennemuist Checked by: I. Karus Owner: <b>PLB VINDIC</b> PLB Vindic AB Sweden	Title/Name: <b>MLDC-55-back hatch assembly drawing</b>	
Sheet: 1/1		Drawing number: MLDC-03.201	



This drawing is the property of PLB Vindic AB. It is strictly confidential and must not be copied, traced or loaned without permission. Any infringement of these conditions will lead to the institution of legal procedures



	General tolerances:	ISO 2768-1m	Material:	Scale: 1:4
				Mass: kg
Designed by:	S. Ennemuist	Title/Name: MLDC-55 side hatch assembly		
Checked by:	S. Ennemuist			
Date:	10.02.2016	Sheet: 1/1	Drawing number: MLDC-02.201	
Owner:	 PLB Vindic AB Sweden			